

HUSSMANN®

IMPACT™ Merchandisers

IMPACT 3-Pin Shelf Lamp LED Retrofit

PARTS LIST

for Hussmann Cases
Manufactured **AFTER**
February 2001

Item	Quantity	Description
1.	Refer to Table Below	Power Supply / PN 4481861
2.	1 per Light Bar	LED Lamp Adapter / PN 4481863
3.	1 per Shelf	LED Light Bar / (SEE PAGE 2)

Rows of Shelves	8 Ft Case		12 Ft Case	
	EXISTING Ballast / Harness	REPLACEMENT Power Supply / Harness	EXISTING Ballast / Harness	REPLACEMENT Power Supply / Harness
2	2 / 2	2 / 2	2 / 2	2 / 2
3	3 / 3	3 / 3	3 / 3	3 / 3
4	4 / 4	4 / 4	4 / 4	4 / 4
5	5 / 5	5 / 5	5 / 5	5 / 5

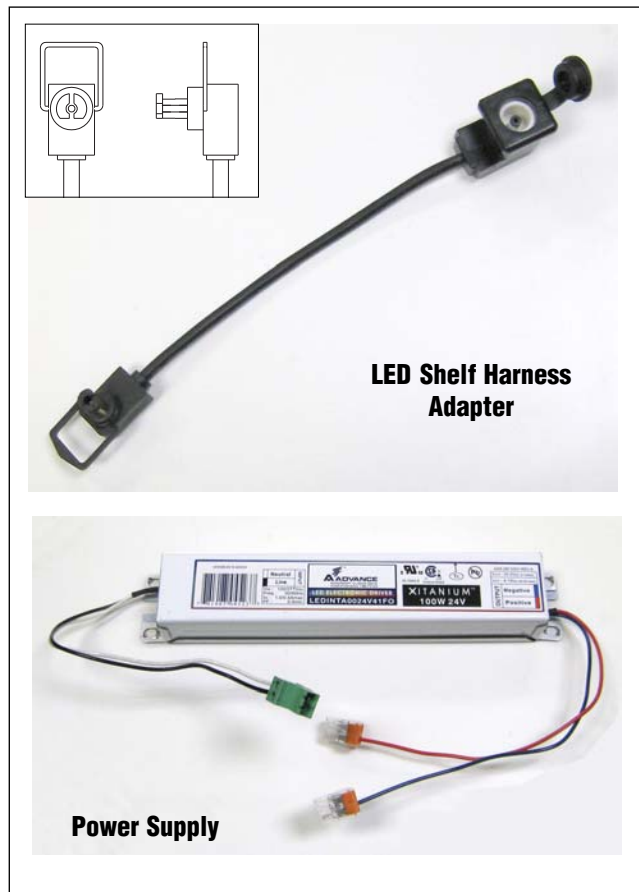
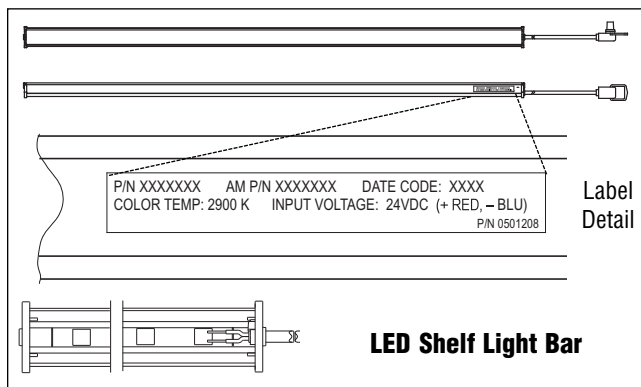
NOTE: Hussmann recommends using butt connectors with Heat Shrink for all field connections.

All equipment should be thoroughly examined for shipping damage before and during unloading.

This equipment has been carefully inspected at our factory. Any claim for loss or damage must be made to the carrier. The carrier will provide any necessary inspection reports and/or claim forms.

Every effort is made to ship all parts for the kit. The Hussmann Service Center can be reached by calling

- from U.S. & Canada 1-800-922-1919 •
- from Mexico 1-800-522-1900 •



P/N 0504716_B
April 2010

LED LAMP RETROFIT

This kit explains how to remove OEM fluorescent shelf light fixtures and replace them with LED light bars.

Length	LED Light Bar	
	Color	PN
4-ft	2900K HCRI	4441590
4-ft	3500K HCRI	4441591
4-ft	3500K	4441592
4-ft	4100K	4441593
3-ft	2900K HCRI	4441586
3-ft	3500K HCRI	4441587
3-ft	3500K	4441588
3-ft	4100K	4441589

⚠ WARNING

ALWAYS disconnect the electrical power at the main disconnect when servicing or replacing any electrical component. This includes, but is not limited to, such items as fans, heaters, thermostats and lights.

- 1** Turn off power to the case.
- 2** Remove fluorescent lamps and shields from the canopy.
- 3** Remove the screws that secure the lamp panel. Grasping the light panel at the area where the top of the panel and the top of the merchandiser meet, pull back and down until the panel swings freely.

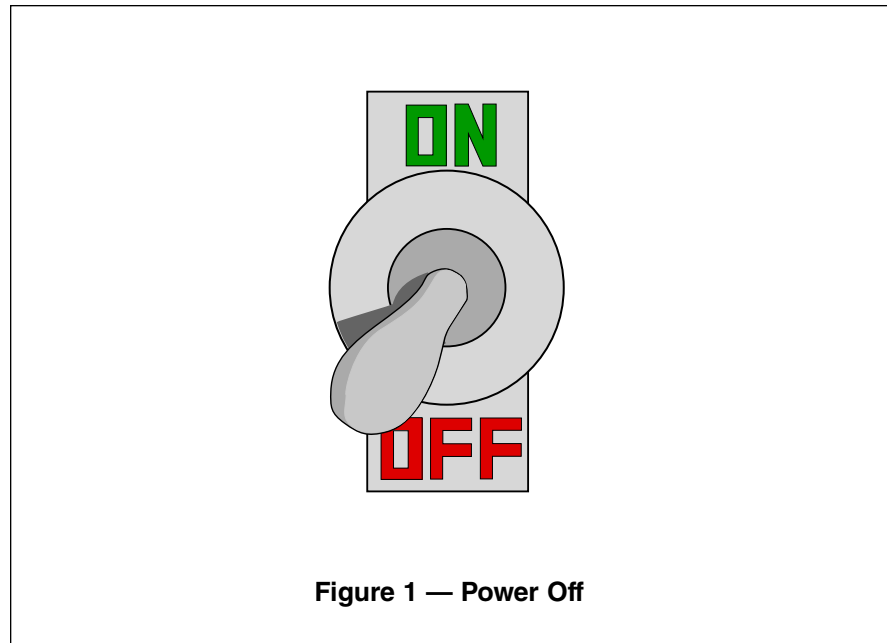
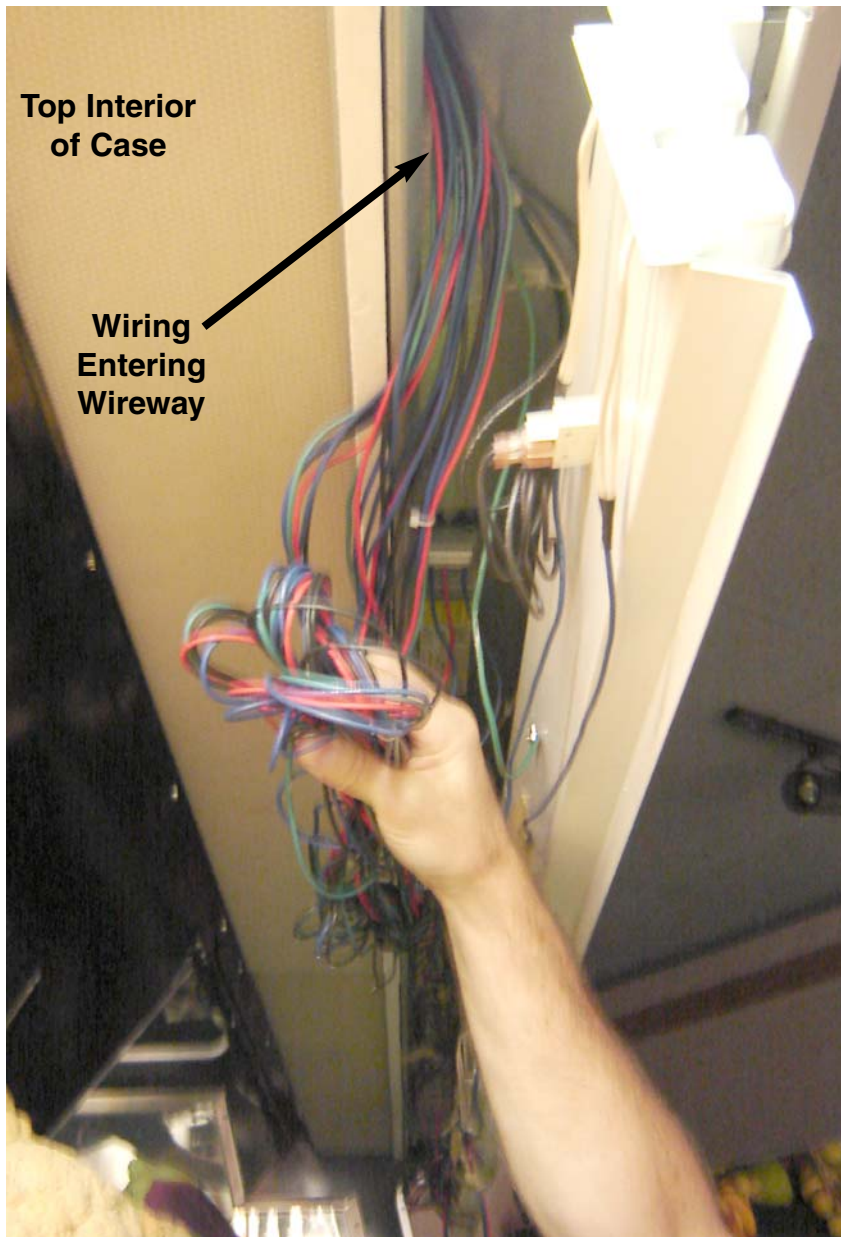


Figure 1 — Power Off

NOTE:

The ballast are in sequence from the left-hand end of the merchandiser (facing front) as follows: Farthest left, bottom shelf ballast, then center shelf or shelves, top shelf, first row canopy and last is second row canopy. The rail lamp ballast is located in the raceway.

Figure 2 — Lower Canopy Light Panel



Facing the front of the case, the shelf lighting wire harnesses are run through the top left end of the case into the wireway hidden by the canopy lamp fixture.

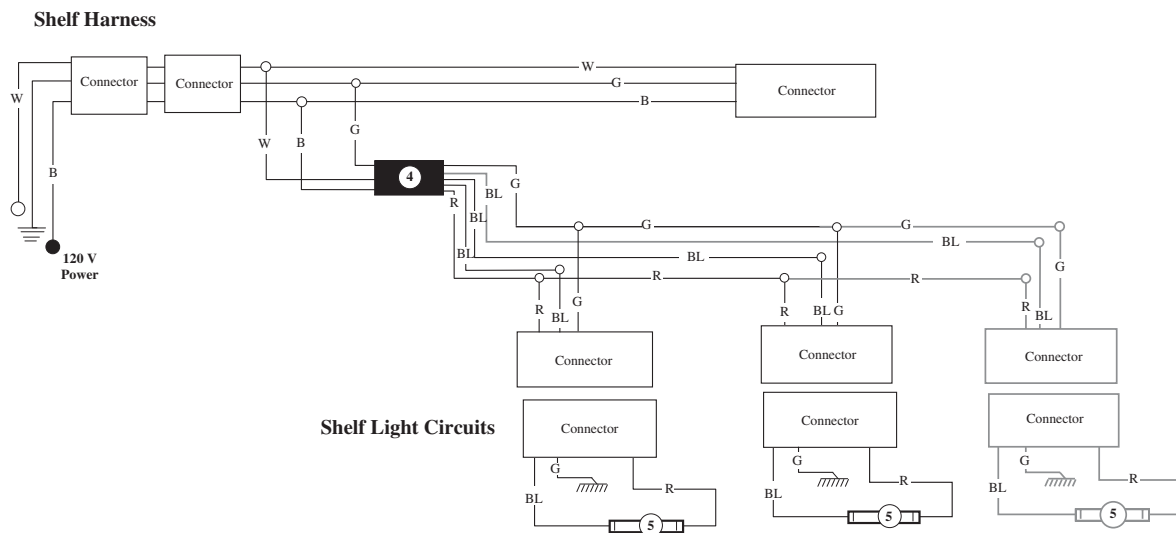
Canopy lamp fixture is hinged at front to pivot down to expose wire bundles.

- 4** Disconnect wires from shelf lamp ballast. Note the color of power source wire.
- Remove shelf lamp ballast.



Figure 3 — Remove Shelf Lamp Ballast

EXISTING Optional Shelf Harness and Light Circuits for One Row of Shelves



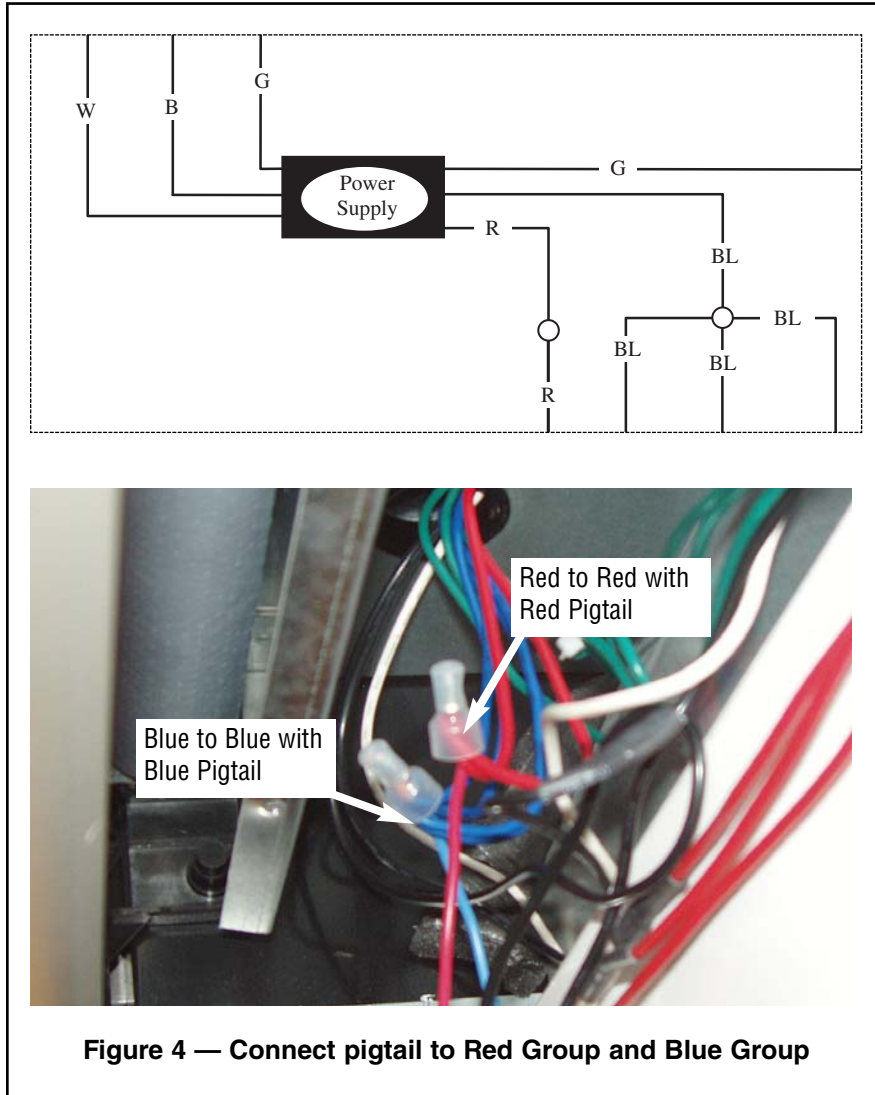
WARNING

All components must have mechanical ground, and the merchandiser must be grounded.

CIRCLED NUMBERS = PARTS LIST ITEM NUMBERS

R = Red Y = Yellow G = Green BL = Blue B = Black W = White

● = 120V POWER ○ = 120V NEUTRAL ≡ = FIELD GROUND ≡≡ = CASE GROUND



5 Fasten all red wires together. Fasten all blue wires together. Add pigtail of the same color (red or blue) to each group.

NOTE: Hussmann recommends using butt connectors with Heat Shrink for all field connections.

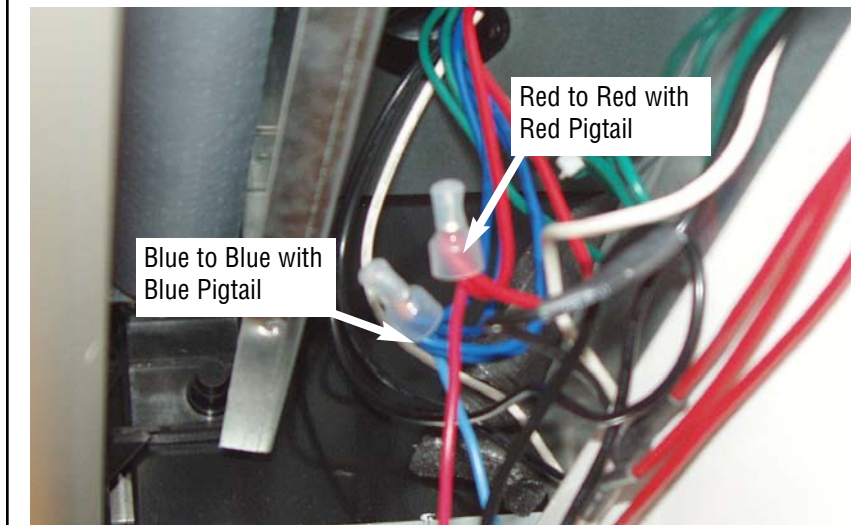


Figure 4 — Connect pigtail to Red Group and Blue Group

6 Install **Power Supply – 1** in the spot where ballast was removed.

7 Connect colored pigtail to same color power leads on **Power Supply – 1** (red with red, blue with blue).

8 Connect **Power Supply – 1** to power source wire.



Figure 5 — Install Power Supply

9 Rotate light channel back into place, being careful not to pinch or damage any wires. Replace screws. Install fluorescent lamps with shields.

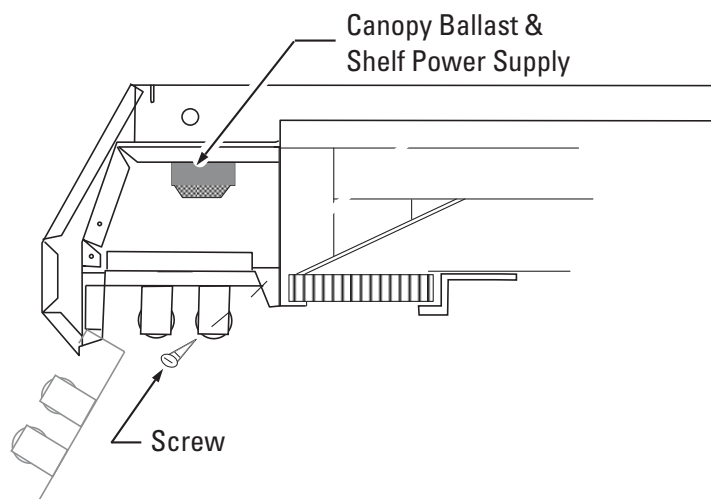


Figure 6 — Replace Canopy, Lamps and Shields

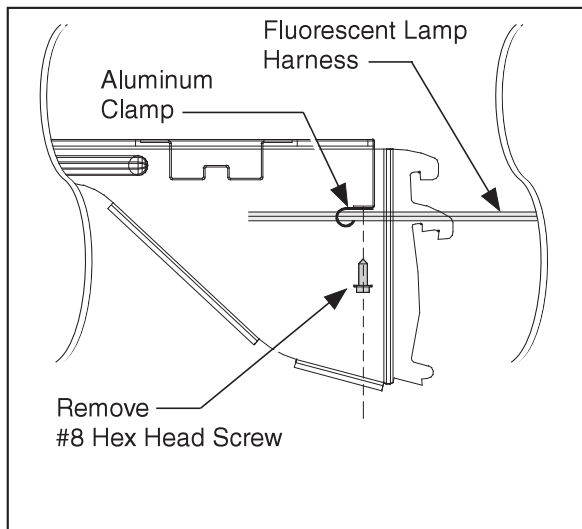


10 Unplug fluorescent shelf lamp from back panel.

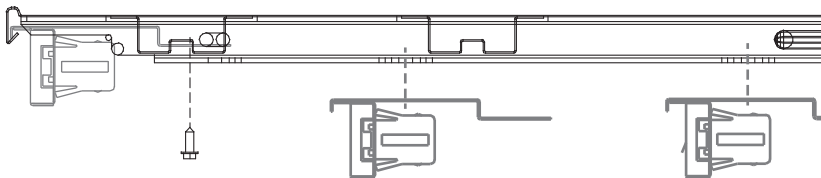
Remove the fluorescent tube and shield from the shelf light bar.

Remove the harness clip at rear of shelf.

Remove the light bar by removing the screws that hold it to the shelf.



Do not break or puncture fluorescent lamps. Dispose of all fluorescent lamps in accordance with Federal, State, and Local hazardous waste requirements.



Note: 24-inch shelf shown

Figure 7 — Remove Existing Light Bar Assembly

- 11** Insert an **LED Lamp Adapter – 2** into a receptacle in the back panel. Refer to Figures 8a and 8b.



Figure 8a — LED Shelf Adapter Upright End

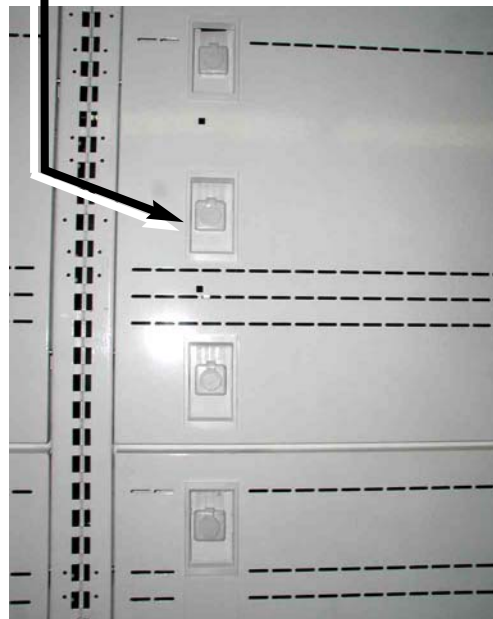


Figure 8b — Plug Adapter into Back Panel



Figure 9 — LED Light Bar

12 Position the magnetic LED Light Bar – 3 under the shelf.



Figure 10 — LED Shelf Adapter — Light Bar End

13 Insert the plug from the LED Light Bar – 4 into the free end of LED Lamp Adapter – 3.

14 Use a tie wrap to contain excess adapter wire. Do not allow wire to lie on product or hang loose. The clip removed in Step 10 can be reused.

Free cord length from last clip (strain relief) to outlet must be less than 12 inches (305 mm). Longer lengths must be constrained.

Review HSB-008A-BTN. Inspect all shelf lamp plugs and receptacles for arcing, corrosion or other damage. Replace as necessary.



Figure 11 — Contain Excess Wire

15 Restore power to case.

16 Verify proper operation of all LED light bars.

Wiring diagrams for LED shelf lighting are contained in the Technical Data Sheet for each model.

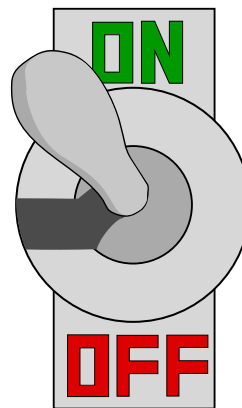


Figure 12 — Power On