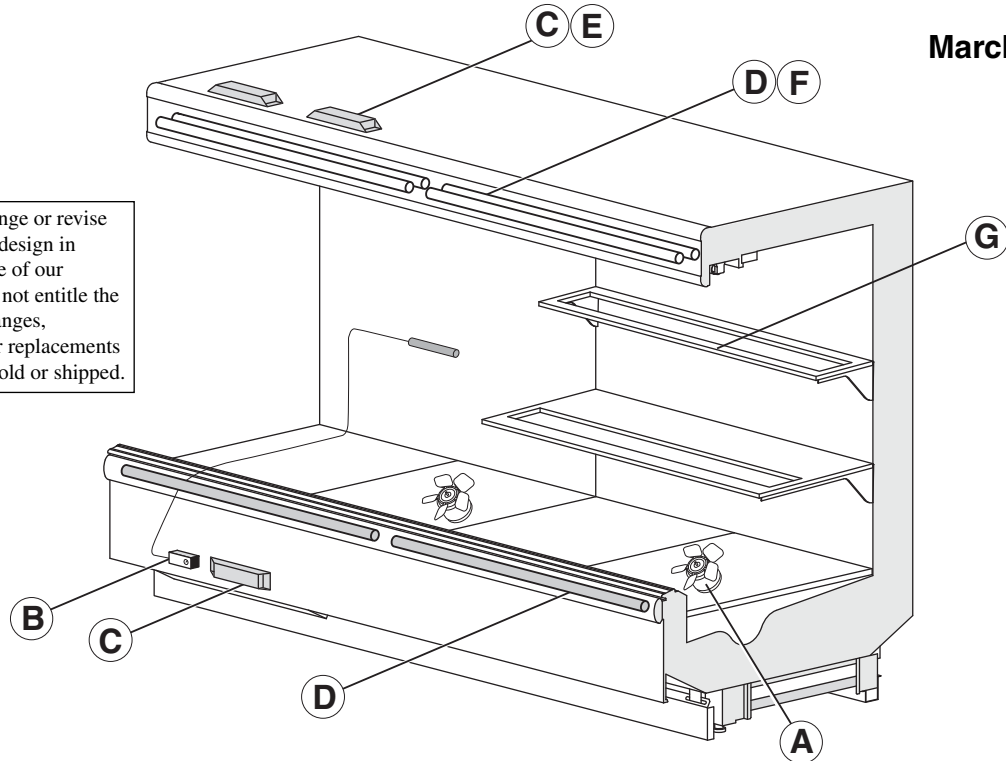


March 2010

We reserve the right to change or revise specifications and product design in connection with any feature of our products. Such changes do not entitle the buyer to corresponding changes, improvements, additions or replacements for equipment previously sold or shipped.



Item	Part #	Description	Wiring Item #	Item	Part #	Description	Wiring Item #
FAN ASSEMBLIES				THERMOSTATS			
4 Ft, 8 Ft & 12 Ft				B. Optional Adjustable Refrigeration Thermostat (2)			
A.	7W Standard	Fan Assembly	(1)	LAMPS AND BALLASTS			
	0058698	Fan Motor, Evaporator (MO.4410102)		C.	Ballast, Electronic		(3)
	0142780	Fan Blade (FB.0142780)			0480130	2 lamps (BA.4481676)	
		7W Energy Efficient Fan Assembly	(1)		0480131	3 lamps (BA.4481654)	
	0477654	Fan Motor, Evaporator (MO.4410545)			0480132	4 lamps (BA.4481677)	
	0142780	Fan Blade (FB.0142780)		D.	Fluorescent Lamp		(4)
					<i>Replace with like fixtures</i>		
6 Ft Only				LED FIXTURES AND POWER SUPPLY			
A.	4W Standard	Fan Assembly	(1)	E.	0501213	Power Supply (EP.4481861)	(5)
	0392457	Fan Motor, Evaporator (MO.4410101)		F.		LED Canopy Fixture	(6)
	0382383	Fan Blade (FB.4780617)			<i>Replace with like fixtures — See Page 5.</i>		
		4W Energy Efficient Fan Assembly	(1)	G.		LED Shelf Fixture	(7)
	0477653	Fan Motor, Evaporator (MO.4410544)			<i>Replace with like fixtures — See Page 5.</i>		
	0382383	Fan Blade (FB.4780617)					

Note: Revision F updates EcoShine values on page 4, LED parts on page 5, and canopy wiring diagram on page 6.

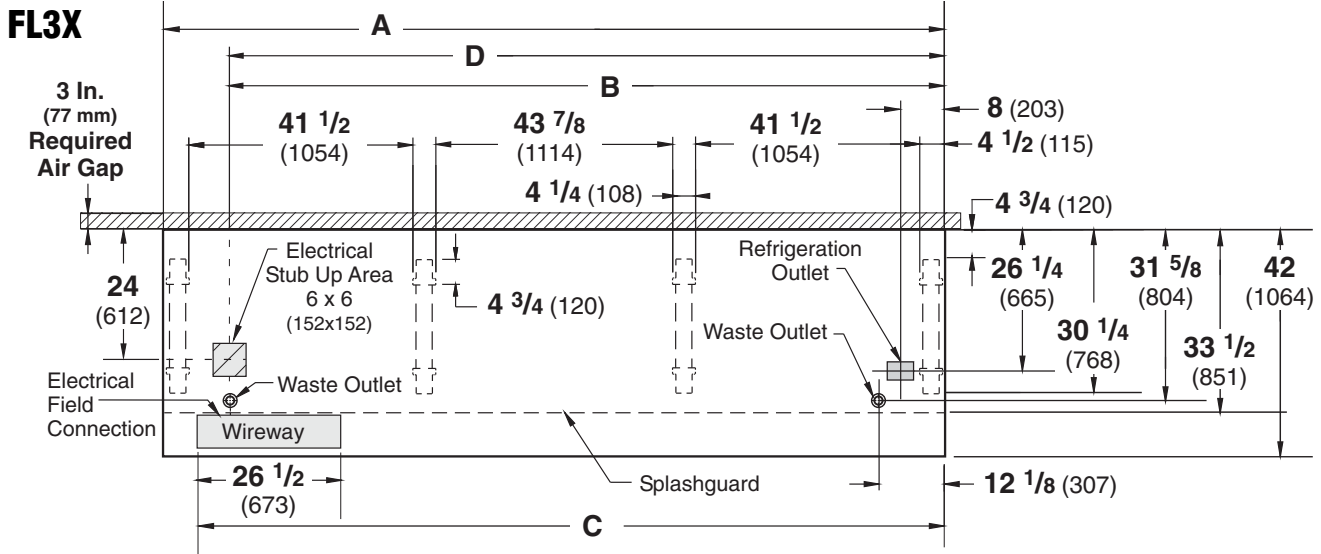


Engineering Plan Views

PHYSICAL DATA	
Merchandiser Drip Pipe (in.)	1 1/4
Merchandiser Liquid Line (in.)	3/8
Merchandiser Suction Line (in.)	7/8





Floral
06-2008

Dimensions shown as inches and (mm).



NOTE: Case-to-Case Electrical Connections are made IN FRONT OF SPLASHGUARD.

FRONT

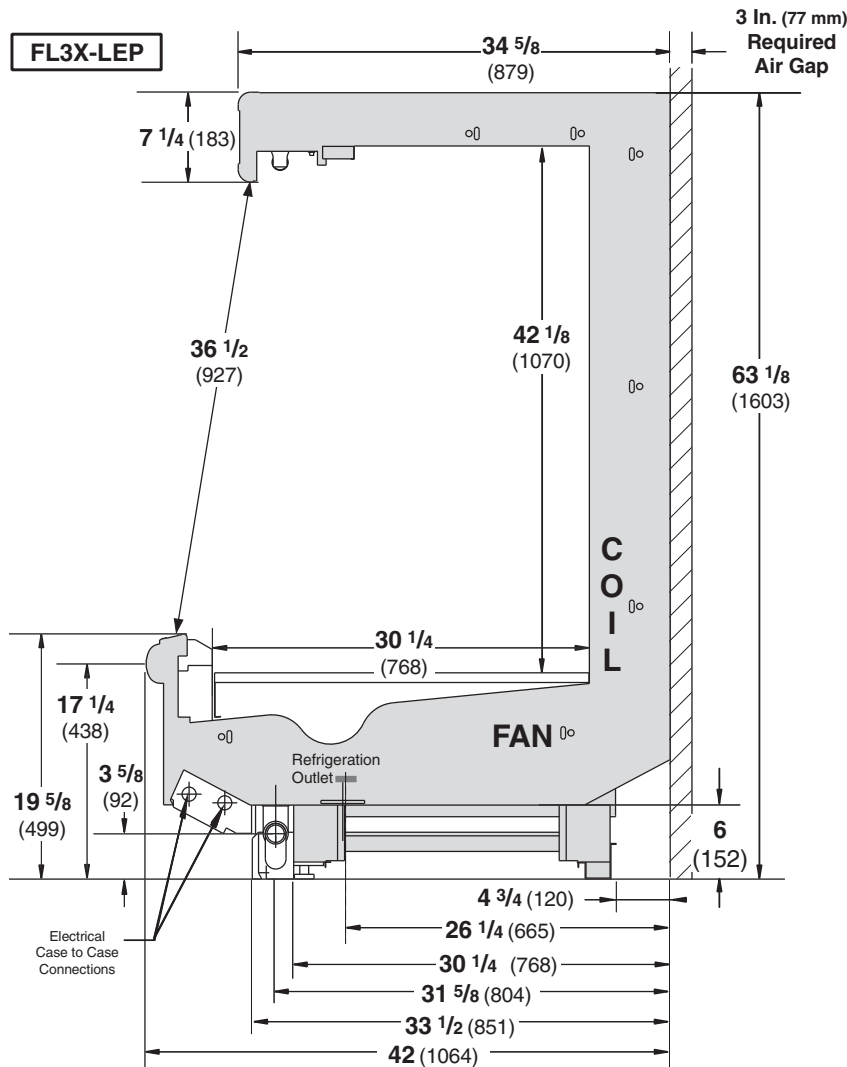
	4 ft	6 ft	8 ft	12 ft
General				
(A) Case Length (<i>without ends or partitions</i>) (Each end and insulated partition adds 1 1/2 in. (38 mm) to case line up.)	48 3/8 (1229)	72 3/8 (1838)	96 3/8 (2448)	144 1/2 (3670)
Maximum O/S dimension of case back to front (includes bumper)	42 (1064)	42 (1064)	42 (1064)	42 (1064)
Back of case to O/S edge of front leg	30 1/4 (768)	30 1/4 (768)	30 1/4 (768)	30 1/4 (768)
Distance between edges of external legs and center legs	NA	29 1/2 (750)	41 1/2 (1054)	41 1/2 (1054)
Distance between edges of center legs	NA	NA	NA	43 7/8 (1114)
Electrical Service  (<i>Electrical Field Wiring connection point</i>)				
(B) RH End of case to center of stub up area	36 1/4 (921)	60 1/4 (1530)	84 1/4 (2140)	132 3/8 (3363)
Back of case to center of stub up area	24 (612)	24 (612)	24 (612)	24 (612)
Length of electrical wireway 	26 1/2 (673)	26 1/2 (673)	26 1/2 (673)	26 1/2 (673)
(C) RH End of case to LH end of wireway	42 1/8 (1070)	66 1/8 (1680)	90 1/8 (2289)	138 1/4 (3511)
Waste Outlets (<i>One each end</i>) 				
(D) RH End of case to the center of LH waste outlet	36 1/4 (921)	60 1/4 (1530)	84 1/4 (2140)	132 3/8 (3363)
RH End of case to the center of RH waste outlet	12 1/8 (307)	12 1/8 (307)	12 1/8 (307)	12 1/8 (307)
Back O/S of case to center of waste outlets	31 5/8 (804)	31 5/8 (804)	31 5/8 (804)	31 5/8 (804)
Schedule 40 PVC drip pipe	1 1/4 (32)	1 1/4 (32)	1 1/4 (32)	1 1/4 (32)
Refrigeration Outlet 				
Back of case to center of refrigeration outlet	26 1/4 (665)	26 1/4 (665)	26 1/4 (665)	26 1/4 (665)
RH end of case to center of refrigeration outlet	8 (203)	8 (203)	8 (203)	8 (203)

Impact *Excel* FL3X-LEP
Floral

REFRIGERATION DATA

Note: This data is based on store temperature and humidity that does not exceed 75°F and 55% R.H.

Dimensions shown as inches and (mm).



FL3X-LEP	UNLIT
Discharge Air °F	32
Evaporator °F	28
Unit Sizing °F	26

Btu/hr/ft[‡] — *Unlit Shelves*^{‡‡}

FL3X-LEP ^{‡‡}	Parallel	Conventional
UNLIT	950	1015

[‡]Optional energy efficient motors reduce the refrigeration load by 21 Btu/hr/ft.
^{‡‡} Add 10 Btu/hr/ft *per shelf row* for LED fixtures.
 Add 20 Btu/hr/ft *per shelf row* for fluorescent lamps.

DEFROST DATA

	FL3X-LEP
Frequency (hr)	8
Defrost Water (lb/ft/day)	6
(±15% based on case configuration and product loading.)	

OFFTIME	FL3X-LEP
Time (minutes)	30

ELECTRIC OR GAS Not Recommended

CONVENTIONAL CONTROLS

Low Pressure Backup Control

	FL3X-LEP
CI/CO*	19°F / 9°F

Indoor Unit Only,

Pressure Defrost Termination* 48°F

*Use a Temperature Pressure Chart to determine PSIG conversions.

Estimated Charge**	FL3X-EP		
4 ft	1.4 lb	22 oz	0.6 kg
6 ft	1.9 lb	30 oz	0.9 kg
8 ft	2.7 lb	43 oz	1.2 kg
12 ft	3.9 lb	62 oz	1.8 kg

***This is an average for all refrigerant types. Actual refrigerant charge may vary by approximately half a pound.

Impact *Excel* FL3X-LEP Floral

Electrical Data

	4 ft	6 ft	8 ft	12 ft
Number of Fans—7W	1	—	2	3
Number of Fans—4W	—	2	—	—

	Amperes				Watts			
	4 ft	6 ft	8 ft	12 ft	4 ft	6 ft	8 ft	12 ft
Evaporator Fan								
120V 60Hz Standard	0.50	0.62	1.00	1.50	39	48	78	117
120V 50Hz Standard	0.55	0.76	1.10	1.65	42	54	84	126
230V 60Hz Export	0.25	0.30	0.50	0.75	39	48	78	117
230V 50Hz Export	0.28	0.36	0.56	0.84	42	54	84	126
120V 60Hz Energy Efficient	0.19	0.24	0.38	0.57	14	16	28	42
230V 60Hz Energy Efficient	0.10	0.12	0.20	0.30	14	16	28	42

Minimum Circuit Ampacity

120V 60Hz Standard	0.70	0.82	1.20	1.70
120V 50Hz Standard	0.75	0.96	1.30	1.85
230V 60Hz Export	0.45	0.50	0.70	0.95
230V 50Hz Export	0.48	0.56	0.76	1.04
120V 60Hz Energy Efficient	0.39	0.44	0.58	0.77
230V 60Hz Energy Efficient	0.30	0.32	0.40	0.50

Maximum Over Current Protection 120V

Maximum Over Current Protection 230V

20	20	20	20
15	15	15	15

Standard Lighting (T-8 fluorescent)

1 Row Canopy	0.26	0.51	0.51	0.77	30	59	59	85
--------------	------	------	------	------	----	----	----	----

Optional Lighting (T-8 fluorescent)

Additional 1 Row Canopy	0.26	0.51	0.51	0.77	30	59	59	85
Additional 2 Row Canopy	0.51	1.02	1.02	1.54	59	118	118	170
Additional 3 Row Canopy	0.77	1.53	1.53	2.31	89	177	177	255
1 Row Rail Light	0.26	0.51	0.51	0.77	30	59	59	85

HUSSMANN RECOMMENDS AGAINST FLUORESCENT SHELF LIGHTING IN FLORAL APPLICATIONS.

EcoShine Multi-deck — Normal CRI—120VAC, 50/60Hz

2 Row Canopy (Front & Rear)	0.28	0.41	0.55	0.82	49	49	66	98
1 Row of Shelves	0.10	0.15	0.20	0.29	12	18	24	35
2 Rows of Shelves	0.20	0.29	0.39	0.58	24	35	47	70
3 Rows of Shelves	0.29	0.44	0.58	0.88	35	53	70	105

EcoShine Multi-deck — High CRI —120VAC, 50/60Hz

2 Row Canopy (Front & Rear)	0.32	0.47	0.63	0.93	38	56	75	112
1 Row of Shelves	0.12	0.18	0.23	0.35	14	21	28	42
2 Rows of Shelves	0.23	0.35	0.47	0.70	28	42	56	84
3 Rows of Shelves	0.35	0.53	0.70	1.05	42	63	84	126

Optional Always*Bright LED Canopy Lighting

2 Row Canopy (Front & Rear)	0.38	0.55	0.71	1.08	45	66	85	130
1 Row of Shelves	0.15	0.19	0.23	0.38	18	23	28	45
2 Rows of Shelves	0.26	0.34	0.47	0.67	31	41	56	80
3 Rows of Shelves	0.38	0.53	0.74	1.11	45	63	89	133

120V Lighting Circuit Total = Standard Lighting + Total Optional Lighting + Optional Shelf Lighting

230V Lighting Circuit Total = Multiply 120V Lighting Circuit Total by 0.52

Product Data

<i>Recommended Usable Cube</i> ¹ (Cu Ft/Ft)	5.16 ft ³ /ft (0.62 m ³ /m)
<i>AHRI Total Display Area</i> ² (Sq Ft/Ft)	3.04 ft ² /ft (1.03 m ² /m)
<i>Shelf Area</i> ³ (Sq Ft/Ft)	6.52 ft ² /ft (1.18 m ² /m)

- ¹ AHRI Refrigerated Volume less shelving and other unusable space: Refrigerated Volume/Unit of Length, ft³/ft [m³/m]
² Computed using AHRI 1200 standard methodology: Total Display Area, ft² [m²]/Unit of Length, ft [m]
³ Shelf surface area is composed of bottom deck plus standard shelf complement, as shown in the Hussmann *Product Reference Guide*. The standard shelf complement for this model is (3) row of 16-inch shelf.

ESTIMATED SHIPPING WEIGHT ⁴					
Case	4 ft	6 ft	8 ft	12 ft	Solid End
					(each)
lb (kg)	600 (272)	800 (363)	1000 (454)	1200 (544)	75 (34)

⁴ Actual weights will vary according to optional kits included.

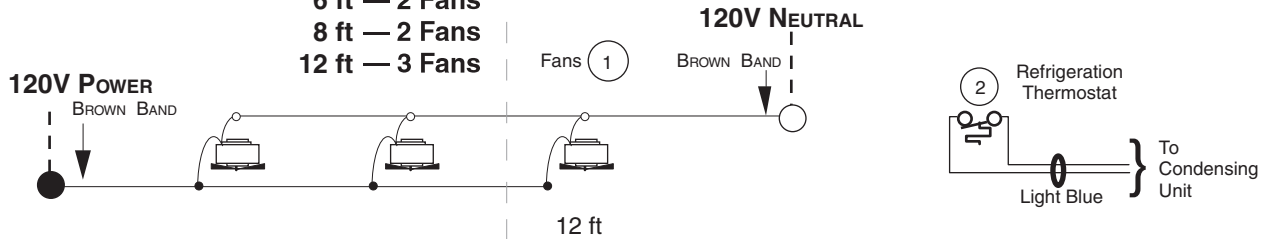
PARTS LIST (Continued from Page 1)								
Item	Part #	Description			Item	Part #	Description	
LED FIXTURES AND POWER SUPPLY								
E.	0501213	Power Supply (EP.4481861)		(5)	F.	(CONTINUED) EcoShine LED Canopy Fixture		
F.	EcoShine LED Canopy Fixture			(6)	4441713	Rear	36-inch	2900K HCRI
	4441720	Front	48-inch	2900K HCRI	4441715	Rear	36-inch	3500K HCRI
	4441722	Front	48-inch	3500K HCRI	4441717	Rear	36-inch	3500K
	4441724	Front	48-inch	3500K	4441719	Rear	36-inch	4100K
	4441726	Front	48-inch	4100K	G.	EcoShine LED Shelf Fixture (7)		
	4441721	Rear	48-inch	2900K HCRI	4441590	48-inch	2900K HCRI	
	4441723	Rear	48-inch	3500K HCRI	4441591	48-inch	3500K HCRI	
	4441725	Rear	48-inch	3500K	4441592	48-inch	3500K	
	4441727	Rear	48-inch	4100K	4441593	48-inch	4100K	
	4441712	Front	36-inch	2900K HCRI	4441586	36-inch	2900K HCRI	
	4441714	Front	36-inch	3500K HCRI	4441587	36-inch	3500K HCRI	
	4441716	Front	36-inch	3500K	4441588	36-inch	3500K	
	4441718	Front	36-inch	4100K	4441589	36-inch	4100K	

Note: Always*Bright lamps will be replaced with the latest generation of EcoShine lamps.

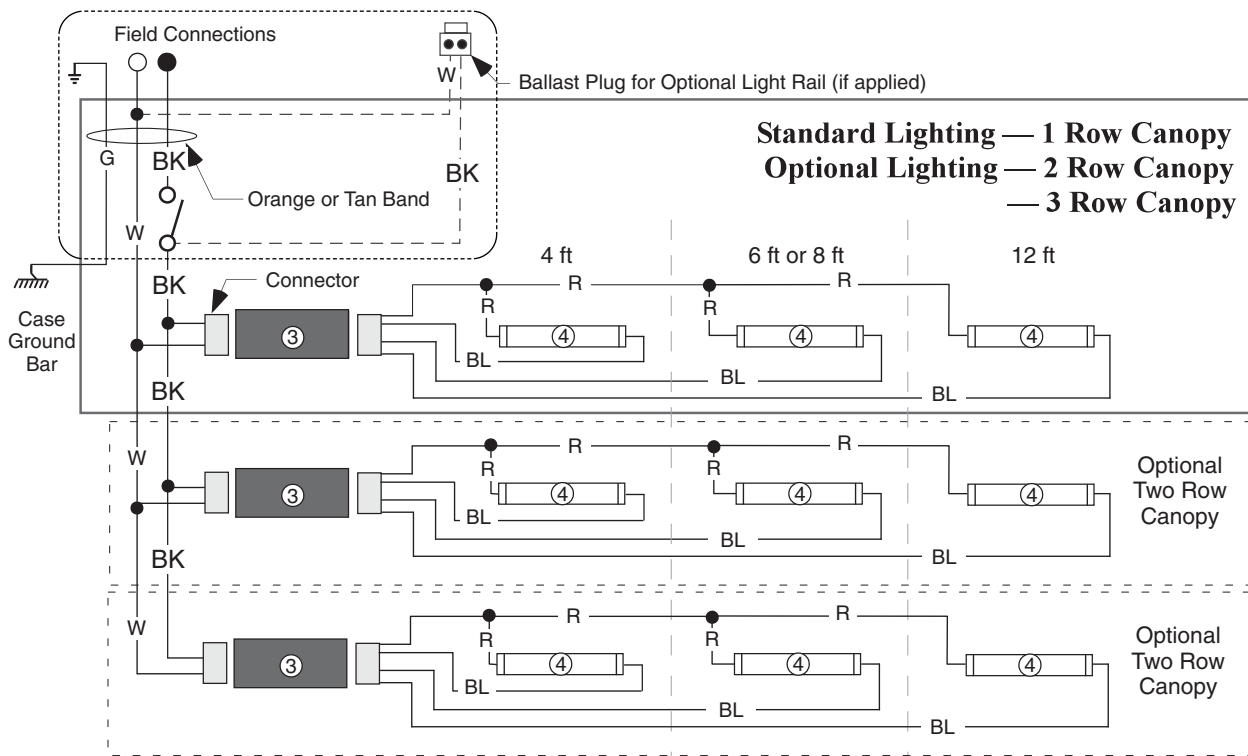
Fan Wiring Offtime Defrost

1, 2 & 3 Fans

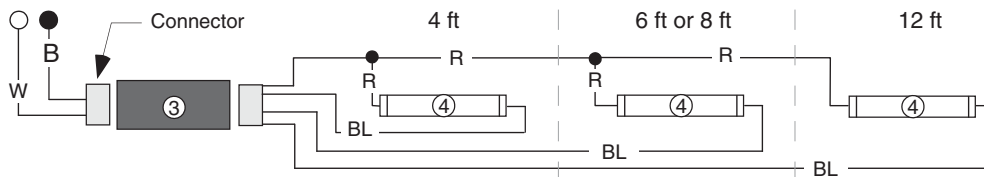
- 4 ft — 1 Fan
- 6 ft — 2 Fans
- 8 ft — 2 Fans
- 12 ft — 3 Fans



Canopy Light Circuits— Fluorescent Fixtures



Optional Lighting — 1 Row Rail



WARNING

All components must have mechanical ground, and the merchandiser must be grounded.

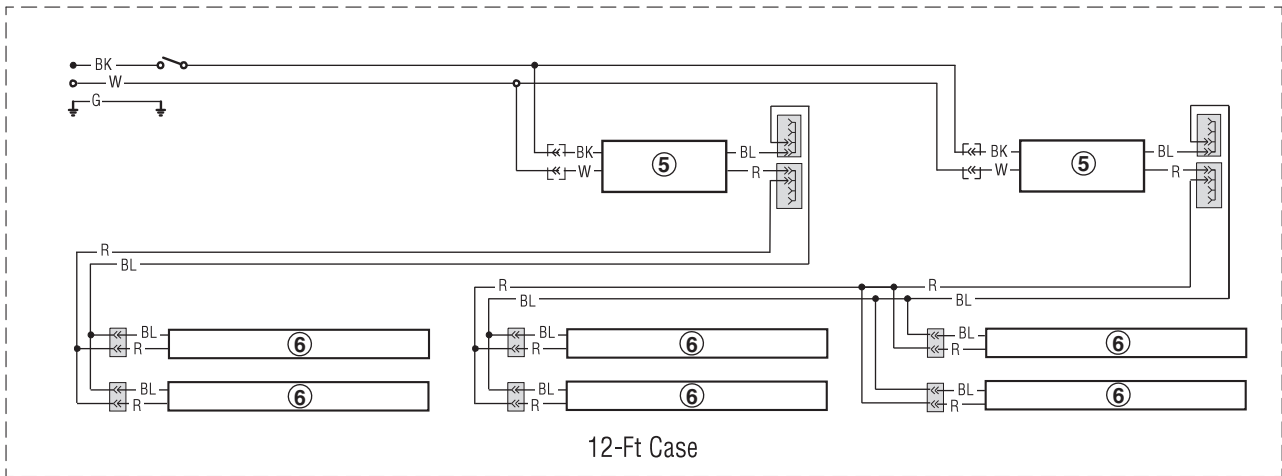
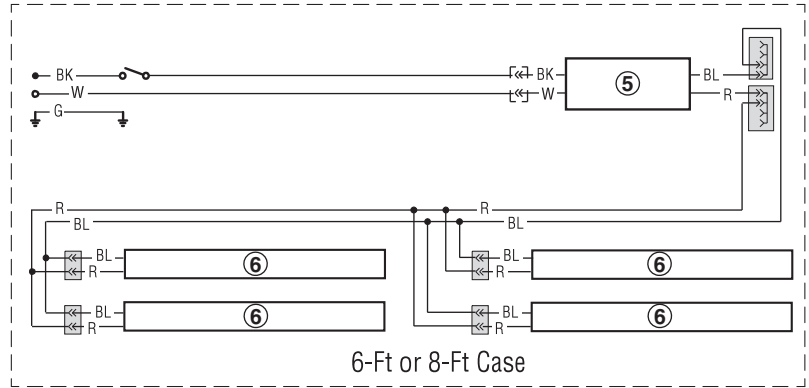
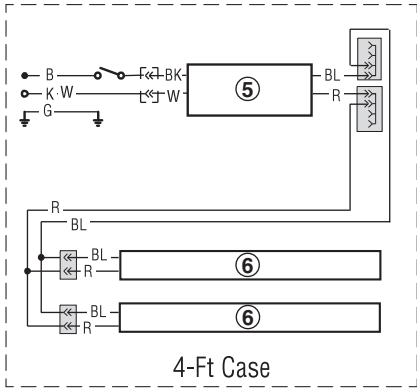
CIRCLED NUMBERS = PARTS LIST ITEM NUMBERS

R = Red Y = Yellow G = Green BL = Blue BK = Black W = White

● = 120V POWER ○ = 120V NEUTRAL ⊥ = FIELD GROUND ≡ = CASE GROUND

Optional Canopy Lighting LED Fixtures

Standard LED Canopy Lighting — 2 Row Canopy



WARNING

All components must have mechanical ground, and the merchandiser must be grounded.

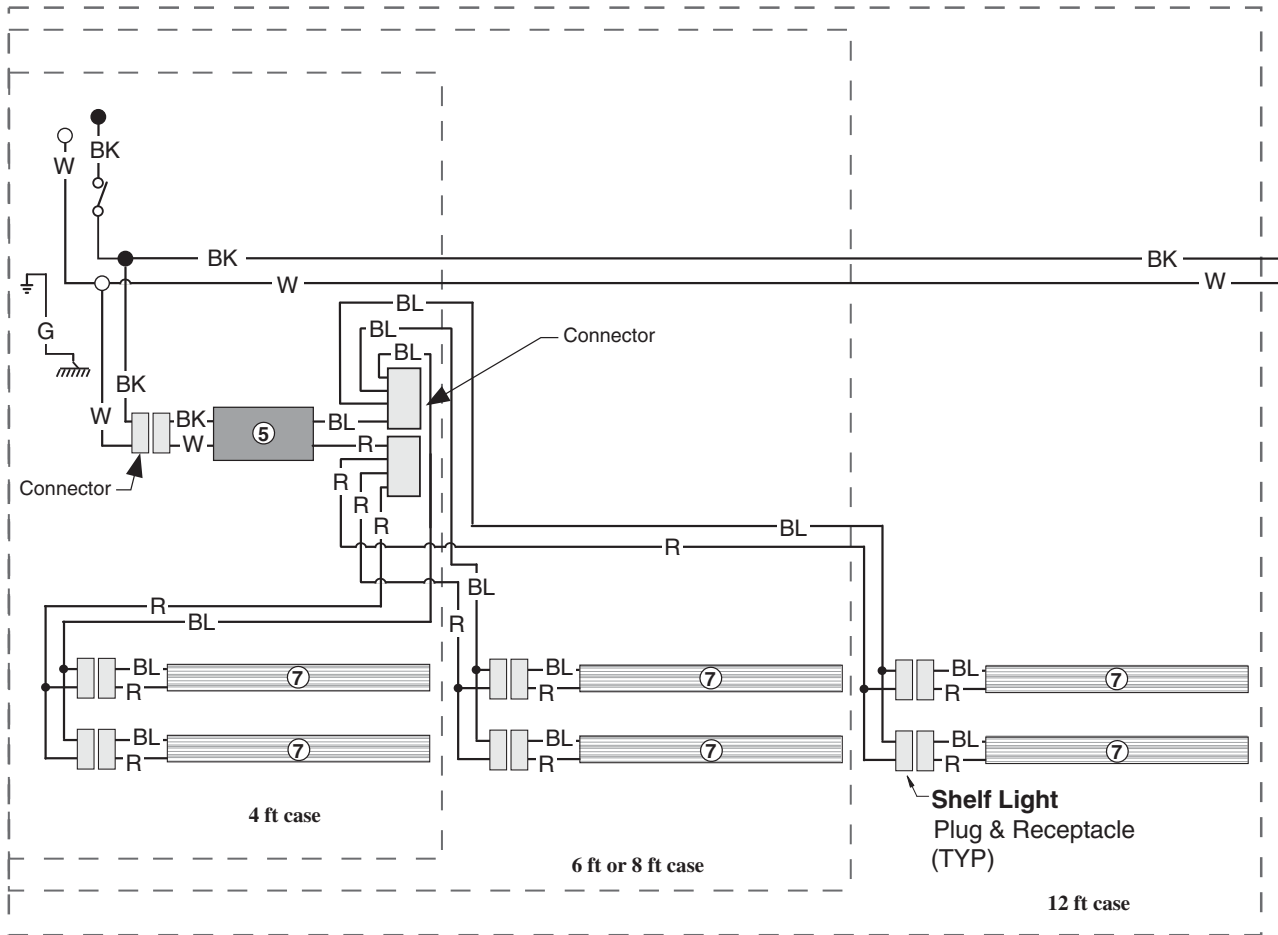
CIRCLED NUMBERS = PARTS LIST ITEM NUMBERS

R = Red Y = Yellow G = Green BL = Blue BK = Black W = White

● = 120V POWER ○ = 120V NEUTRAL ⚡ = FIELD GROUND $\overline{\text{m}}$ = CASE GROUND

Optional Shelf Lighting LED Fixtures

Optional Shelf Harness and LED Light Circuits for Two Rows of Shelves



WARNING

All components must have mechanical ground, and the merchandiser must be grounded.

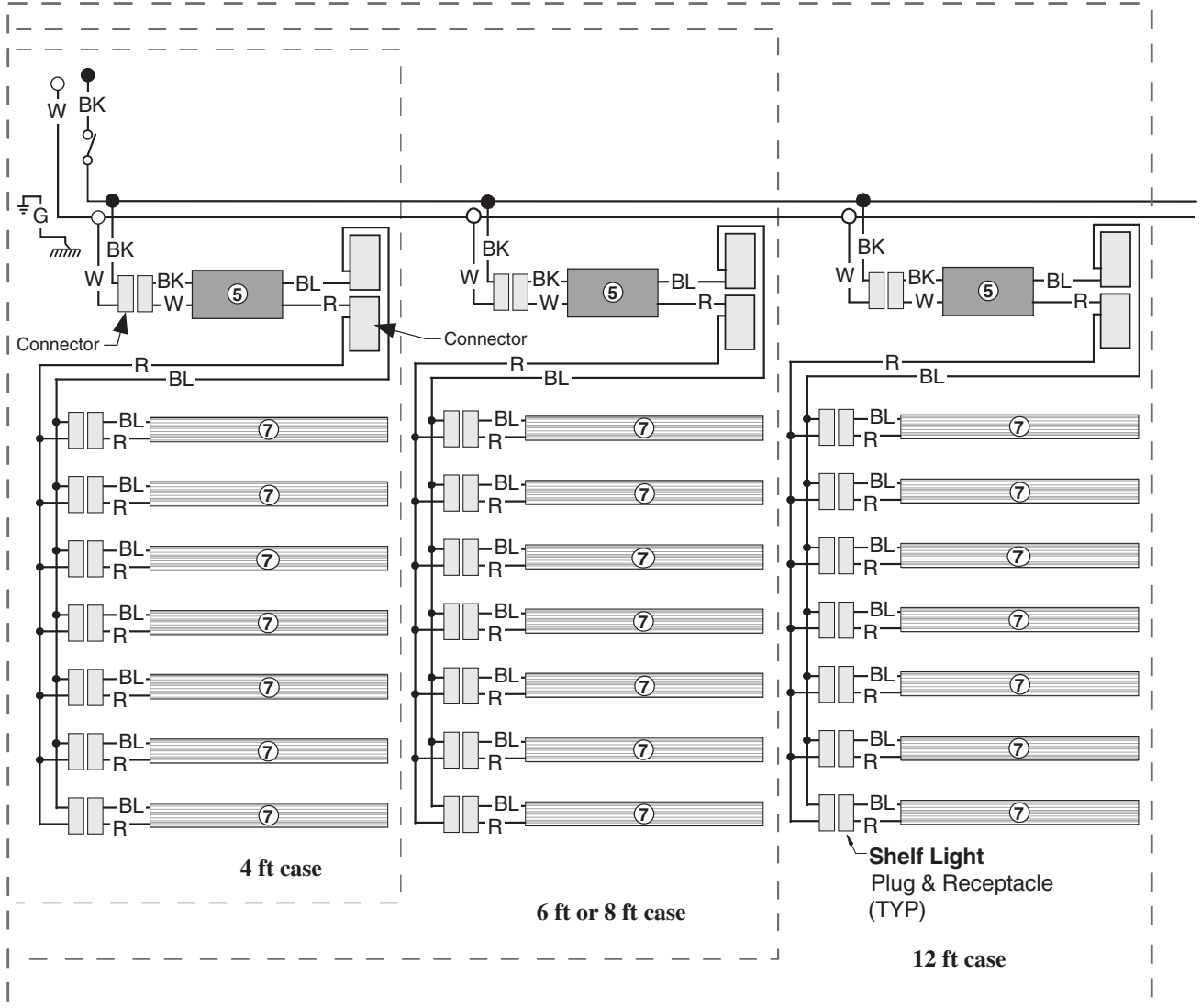
CIRCLED NUMBERS = PARTS LIST ITEM NUMBERS

R = Red G = Green BL = Blue BK = Black W = White

● = 120V POWER ○ = 120V NEUTRAL ⊥ = FIELD GROUND $\overline{\overline{\overline{\quad}}}$ = CASE GROUND

Optional Shelf Lighting LED Fixtures

Optional Shelf Harness and LED Light Circuits for 3, 4, 5, 6 & 7 Rows of Shelves



WARNING

All components must have mechanical ground, and the merchandiser must be grounded.

CIRCLED NUMBERS = PARTS LIST ITEM NUMBERS

R = Red G = Green BL = Blue BK = Black W = White

● = 120V POWER ○ = 120V NEUTRAL ⊥ = FIELD GROUND *mm* = CASE GROUND