

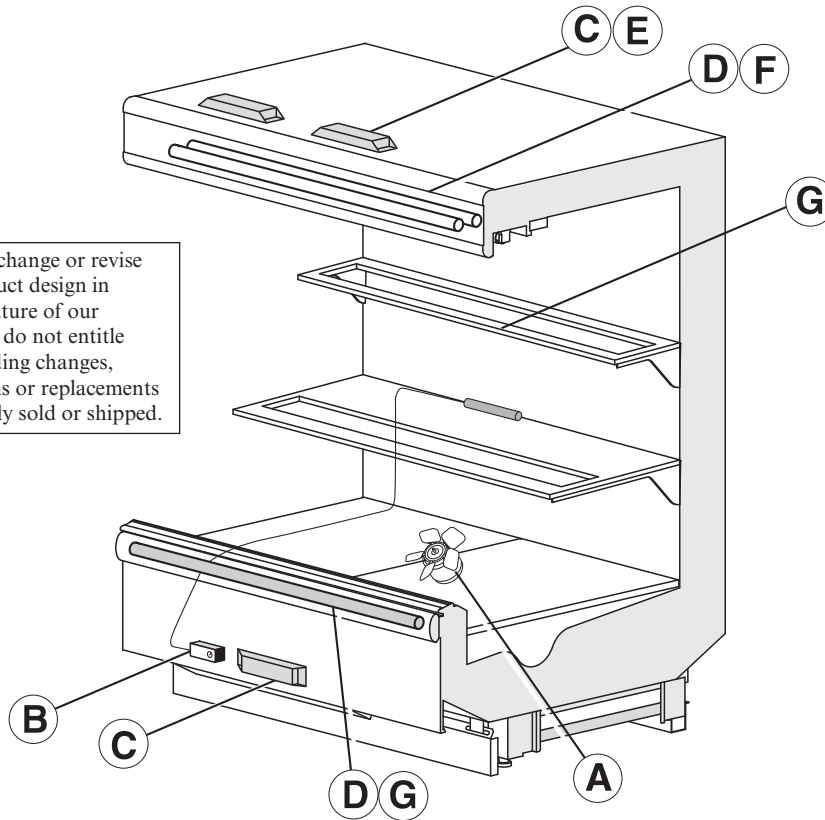
HUSSMANN[®] Excel

FL3X-LEP
Technical Data Sheet
P/N 0505002_H

April 2017

DOE 2017
Energy Efficiency
Compliant

We reserve the right to change or revise specifications and product design in connection with any feature of our products. Such changes do not entitle the buyer to corresponding changes, improvements, additions or replacements for equipment previously sold or shipped.



Item	Part #	Description	Wiring Item #	Item	Part #	Description	Wiring Item #
FAN ASSEMBLIES				LAMPS AND BALLASTS			
4 Ft				C.		Ballast, Electronic	(3)
A.	7W Standard Energy Efficient	Fan Assembly	(1)	0480130		2 lamps (BA.4481676)	
	0477654	Fan Motor, Evaporator		0480131		3 lamps (BA.4481654)	
		(MO.4410545)		0480132		4 lamps (BA.4481677)	
	0142780	Fan Blade (FB.0142780)		D.		Fluorescent Lamp	(4)
						<i>Replace with like fixtures</i>	
THERMOSTATS				LED FIXTURES AND POWER SUPPLY			
B.		Optional Adjustable Refrigeration Thermostat(2)		E.	0501213	Power Supply (EP.4481861)	(5)
				F.		LED Canopy Fixture	(6)
						<i>Replace with like fixtures</i>	
				G.		LED Shelf Fixture	(7)
						<i>Replace with like fixtures</i>	

Data sheet-Excel-FL3X-LEP

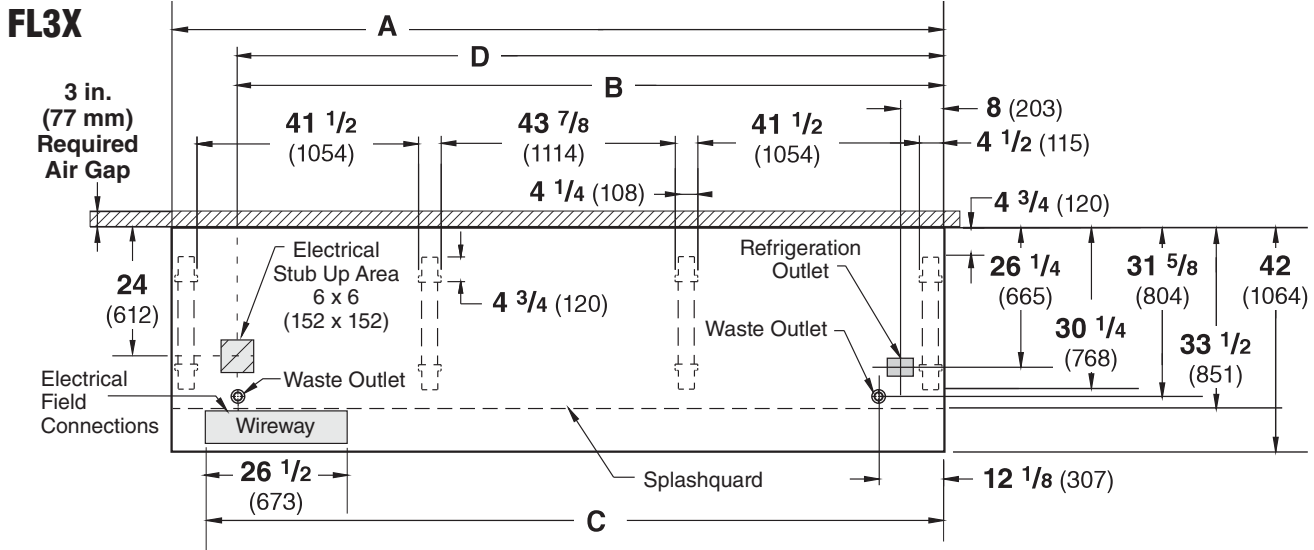
Note: Revision H: April 2017. Updated LED energy values. Other changes marked with a bar, circle or underline.

Engineering Plan Views

PHYSICAL DATA	
Merchandiser Drip Pipe (in.)	1 1/4
Merchandiser Liquid Line (in.)	3/8
Merchandiser Suction Line (in.)	7/8

Floral
06-2008

Dimensions shown as inches and (mm).



NOTE: Case-to-Case Electrical Connections are made IN FRONT OF SPLASHGUARD.

FRONT

4 ft

General

(A) Case Length (<i>without ends or partitions</i>)	48 3/8 (1229)
<i>(Each end and insulated partition adds 1 1/2 in. (38 mm) to case line up.)</i>	
Maximum O/S dimension of case back to front	
<i>(includes bumper)</i>	42 (1064)
Back of case to O/S edge of front leg	30 1/4 (768)
Distance between edges of external legs and center legs.	NA
Distance between edges of center legs.	NA

Electrical Service (*Electrical Field Wiring connection point*)

(B) RH End of case to center of stub up area	36 1/4 (921)
Back of case to center of stub up area	24 (612)
Length of electrical wireway 	26 1/2 (673)
(C) RH End of case to LH end of wireway	42 1/8 (1070)

Waste Outlets (*One each end*)

(D) RH End of case to the center of LH waste outlet	36 1/4 (921)
RH End of case to the center of RH waste outlet	12 1/8 (307)
Back O/S of case to center of waste outlets	31 5/8 (804)
Schedule 40 PVC drip pipe	1 1/4 (32)

Refrigeration Outlet

Back of case to center of refrigeration outlet	26 1/4 (665)
RH end of case to center of refrigeration outlet	8 (203)

Multi-deck, 2 Display Levels



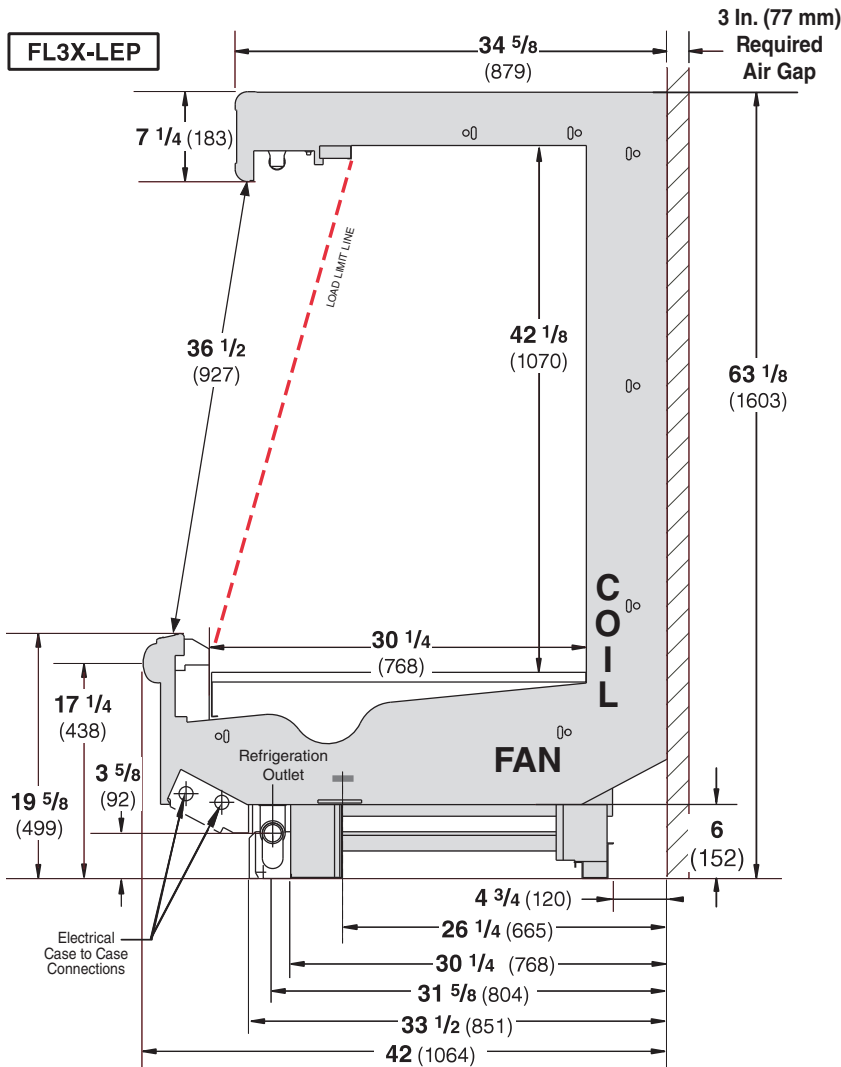
Hussmann refrigerated merchandisers configured for sale for use in the United States meet or surpass the requirements of the DOE 2017 energy efficiency standards.



REFRIGERATION DATA

Note: This data is based on store temperature and humidity that does not exceed 75°F and 55% R.H.

Dimensions shown as inches and (mm).



FL3X-LEP [§]	UNLIT
Discharge Air °F	32
Evaporator °F	28
Unit Sizing °F	26

§ Average evaporator temperature shown. Use dew point for high glide refrigerants for unit sizing. Care should be taken to use the dew point in PT tables for measuring and adjusting superheat. Adjust evaporator pressure as needed to maintain discharge air temperature shown.

Btu/hr/ft — Unlit Shelves [‡]		
FL3X-LEP	Parallel	Conventional
UNLIT	929	994

‡ Add 10 Btu/hr/ft *per shelf row* for LED fixtures.
Add 20 Btu/hr/ft *per shelf row* for fluorescent lamps.

DEFROST DATA

	FL3X-LEP
Frequency (hr)	8
Defrost Water (lb/ft/day)	6

(±15% based on case configuration and product loading.)

OFFTIME	FL3X-LEP
Time (minutes)	30

ELECTRIC OR GAS Not Recommended

CONVENTIONAL CONTROLS

Low Pressure Backup Control	FL3X-LEP
CI/CO*	19°F / 9°F

Indoor Unit Only,
Pressure Defrost Termination* 48°F

*Use a Temperature Pressure Chart to determine PSIG conversions.

Estimated Charge**	FL3X-EP
4 ft	1.4 lb 22 oz 0.6 kg

**This is an average for all refrigerant types. Actual refrigerant charge may vary by approximately half a pound (8 oz/0.2 kg).

Excel FL3X-LEP

Floral

Electrical Data

			4 ft	
Number of Fans—7W			1	
			Amperes	Watts
			4 ft	4 ft
Evaporator Fan				
120V	50/60Hz	Standard Energy Efficient	0.19	14
230V	50/60Hz	Standard Energy Efficient	0.10	14
230V	60Hz	Export	0.25	39
230V	50Hz	Export	0.28	42
Minimum Circuit Ampacity				
120V	50/60Hz	Standard Energy Efficient	0.39	
230V	50/60Hz	Standard Energy Efficient	0.30	
230V	60Hz	Export	0.45	
230V	50Hz	Export	0.48	
Maximum Over Current Protection 120V			20	
Maximum Over Current Protection 230V			15	

Standard Lighting (T-8 fluorescent)

1 Row Canopy	0.26	30
--------------	------	----

ONLY LIGHTING CONFIGURATIONS THAT ARE COMPLIANT WITH THE U.S. DEPT. OF ENERGY (DOE) 2017 REGULATION ARE AVAILABLE FOR SALE FOR USE IN THE U.S.A.

Optional Lighting (T-8 fluorescent)

Additional 1 Row Canopy	0.26	30
Additional 2 Row Canopy	0.51	59
Additional 3 Row Canopy	0.77	89
1 Row Rail Light	0.26	30

HUSSMANN RECOMMENDS AGAINST FLUORESCENT SHELF LIGHTING IN FLORAL APPLICATIONS.

EcoShine II Canopy

EcoShine II	0.16	19.3
EcoShine II HO	0.22	26.5

EcoShine II Rail Light — 1 Row

0.08	9.9
------	-----

EcoShine II Shelves

1 Row of Shelves	0.08	9.9
2 Rows of Shelves	0.16	19.8
3 Rows of Shelves	0.25	29.7

120V Lighting Circuit Total = Standard Lighting + Total Optional Lighting + Optional Shelf Lighting

120V LED Lighting Circuit Total = Canopy Lighting + Shelf Lighting + Optional Rail Lighting

230V Lighting Circuit Total = Multiply 120V Lighting Circuit Total by 0.52

Please note: some combinations of fluorescent lights on this case model may not be compliant with DOE 2017 and may not be available to order in the US and Canada. More lighting options are available with LED lights. The Hussmann Product Configurator will not allow lighting options that do not comply with the DOE 2017 standards.

Product Data

<i>Recommended Usable Cube</i> ¹ (Cu Ft/Ft)	5.16 ft ³ /ft (0.62 m ³ /m)
<i>AHRI Total Display Area</i> ² (Sq Ft/Ft)	3.04 ft ² /ft (1.03 m ² /m)
<i>Shelf Area</i> ³ (Sq Ft/Ft)	6.52 ft ² /ft (1.18 m ² /m)

- ¹ AHRI Refrigerated Volume less shelving and other unusable space: Refrigerated Volume/Unit of Length, ft³/ft [m³/m]
- ² Computed using AHRI 1200 standard methodology: Total Display Area, ft² [m²]/Unit of Length, ft [m]
- ³ Shelf surface area is composed of bottom deck plus standard shelf complement, as shown in the Hussmann *Product Reference Guide*. The standard shelf complement for this model is (3) row of 16-inch shelf.

ESTIMATED SHIPPING WEIGHT ⁴

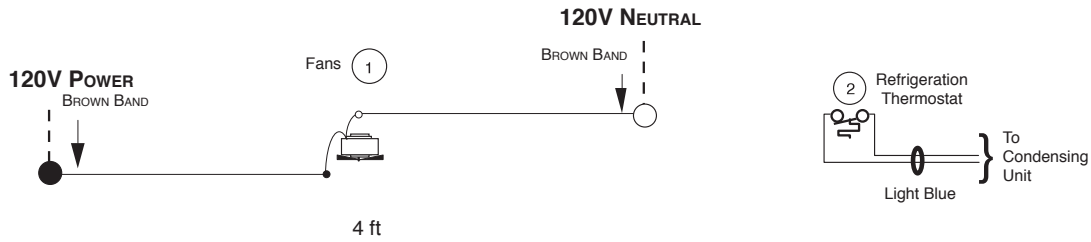
Case		Solid End
	<i>4 ft</i>	<i>(each)</i>
lb (kg)	600 (272)	75 (34)

⁴ Actual weights will vary according to optional kits included.

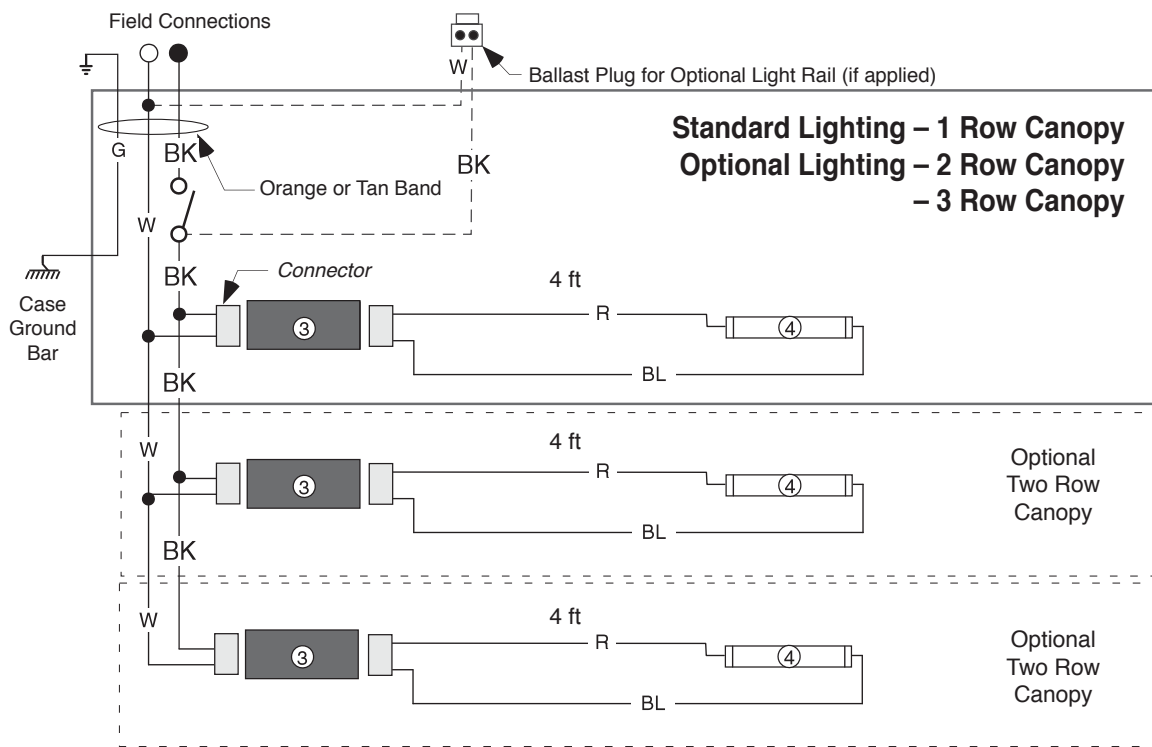
Fan Wiring Offtime Defrost

1 Fans

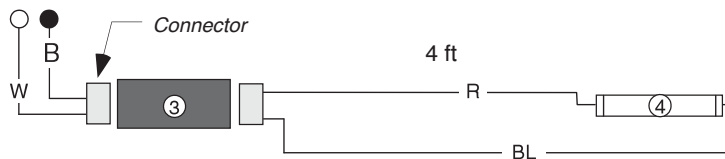
4 ft – 1 Fan



Canopy Light Circuits— Fluorescent Fixtures



Optional Lighting – 1 Row Rail



WARNING

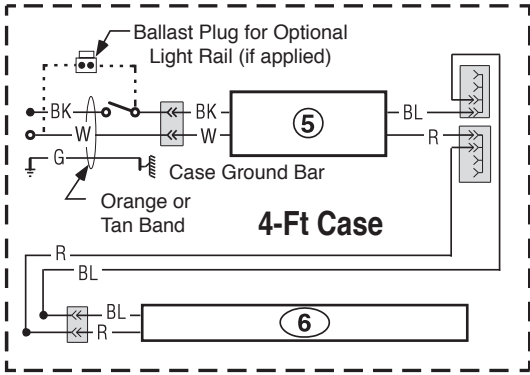
All components must have mechanical ground, and the merchandiser must be grounded.

CIRCLED NUMBERS = PARTS LIST ITEM NUMBERS

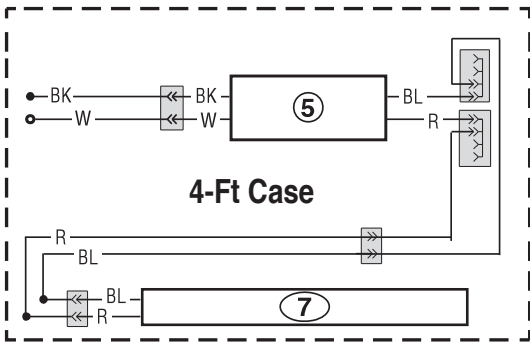
R = Red Y = Yellow G = Green BL = Blue BK = Black W = White
 ● = 120V POWER ○ = 120V NEUTRAL ⊥ = FIELD GROUND ⏏ = CASE GROUND

Optional Canopy and Rail Light Circuits — LED Fixtures

EcoShine II LED Canopy Lighting – 1 Row



EcoShine II LED Rail Lighting – 1 Row



WARNING

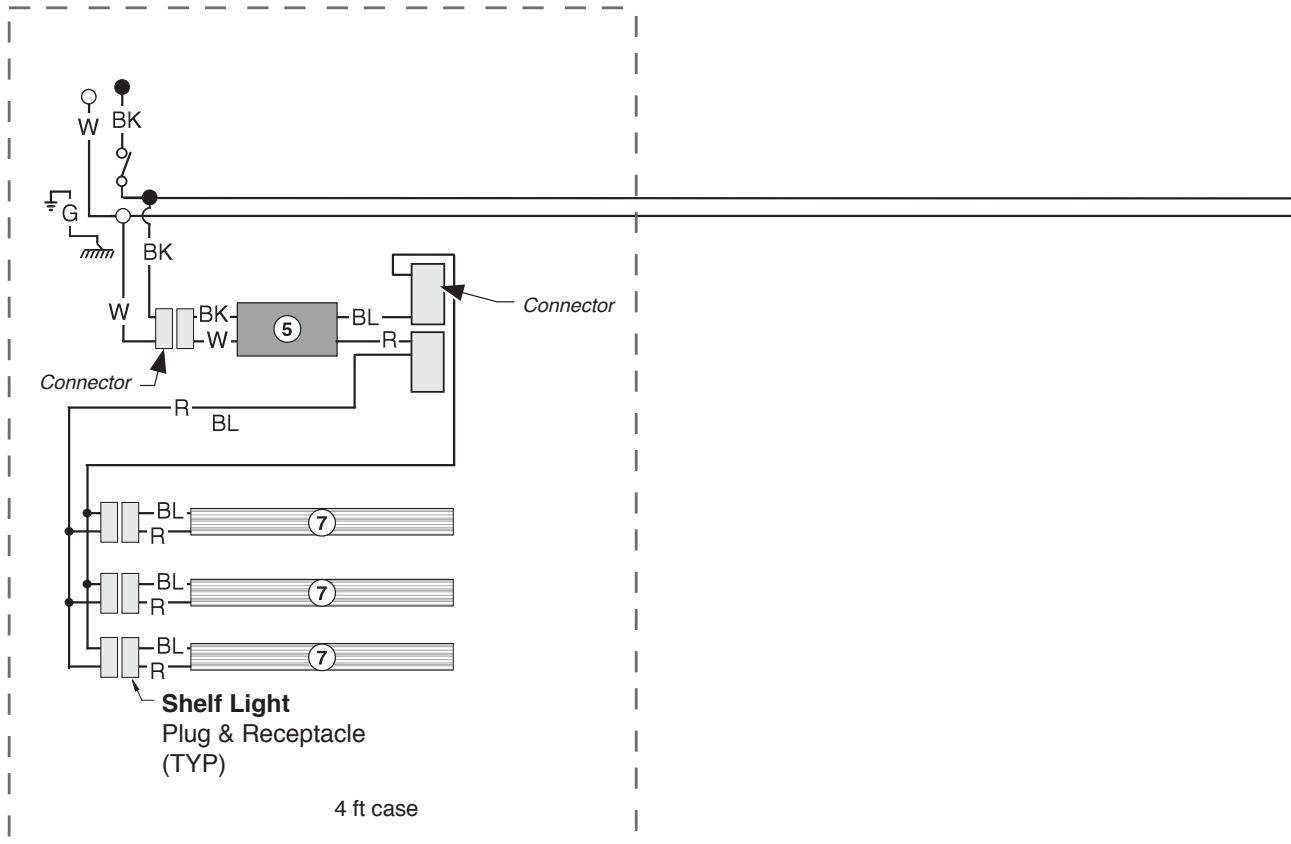
All components must have mechanical ground, and the merchandiser must be grounded.

CIRCLED NUMBERS = PARTS LIST ITEM NUMBERS

- | | | | | | |
|----------------|------------------|------------------|-----------------|------------|-----------|
| R = Red | Y = Yellow | G = Green | BL = Blue | BK = Black | W = White |
| ● = 120V POWER | ○ = 120V NEUTRAL | ⊥ = FIELD GROUND | ⏏ = CASE GROUND | | |

Optional Shelf Lighting LED Fixtures

Optional Shelf Harness and LED Light Circuits for 2 or 3 Rows of Shelves



WARNING

All components must have mechanical ground, and the merchandiser must be grounded.

CIRCLED NUMBERS = PARTS LIST ITEM NUMBERS

R = Red G = Green BL = Blue BK = Black W = White
 ● = 70V POWER ○ = 70V NEUTRAL ⊥ = FIELD GROUND mm = CASE GROUND