

Engineering Plan Views

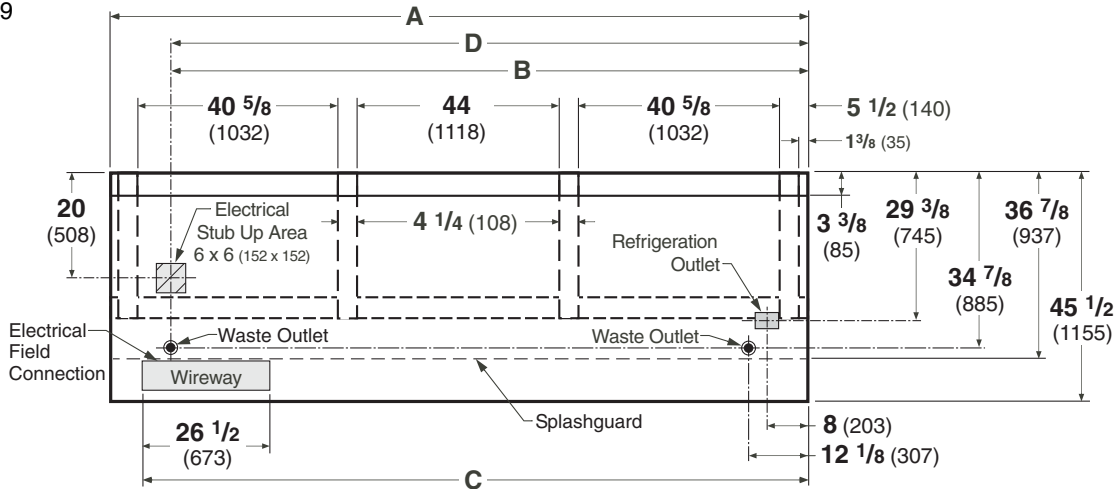
PHYSICAL DATA	
Merchandiser Drip Pipe (in.)	1 1/4
Merchandiser Liquid Line (in.)	3/8
Merchandiser Suction Line (in.)	7/8

Rear Load Dairy & Delicatessen

12-2009

D5XR


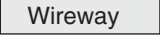


Dimensions shown as in. and (mm).



NOTE: Case-to-Case Electrical Connections are made IN FRONT OF SPLASHGUARD.

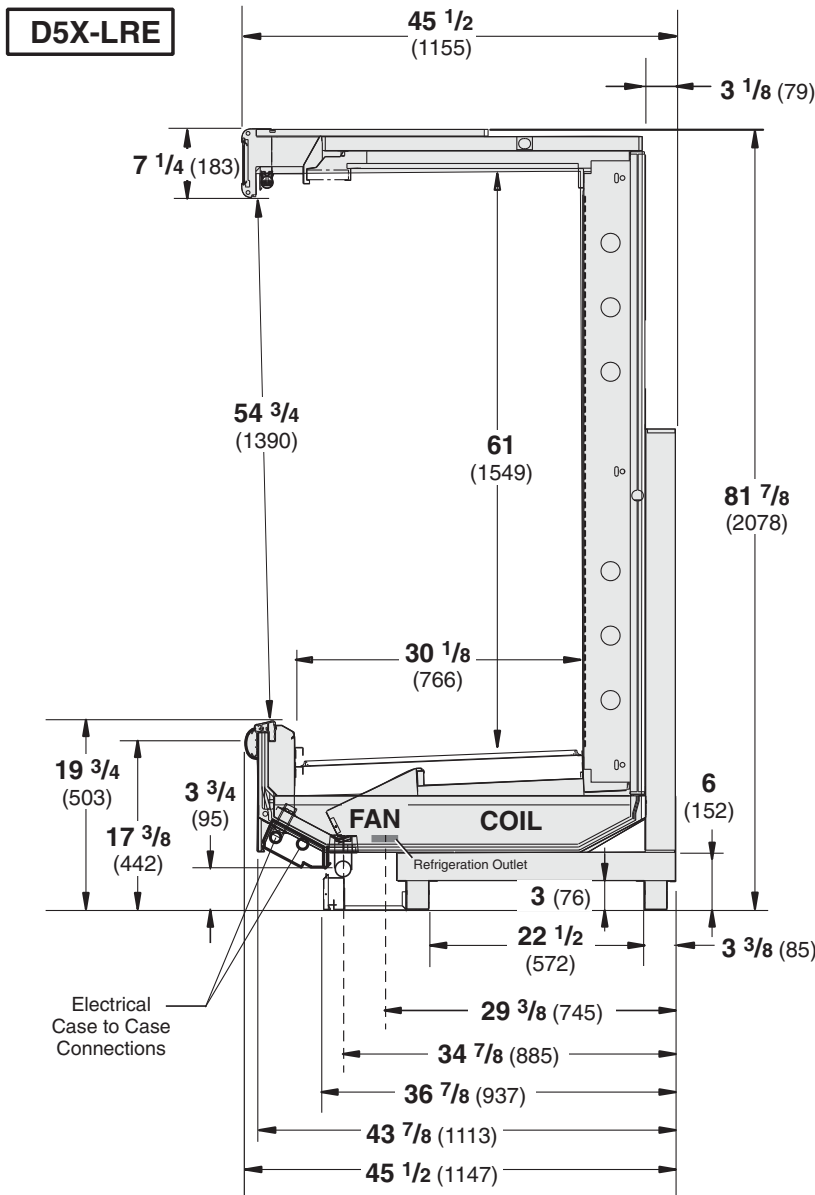
FRONT

12 ft plan view is shown.

General	4 ft	6 ft	8 ft	12 ft
(A) Case Length (without ends or partitions)	48 3/8 (1229)	72 3/8 (1838)	96 3/8 (2448)	144 1/2 (3670)
<i>(Each end and insulated partition adds 1 1/2 in. (38 mm) to case line up.)</i>				
Maximum O/S dimension of case <i>(back to front, including bumper)</i>	45 1/2 (1155)	45 1/2 (1155)	45 1/2 (1155)	45 1/2 (1155)
Back of case to front of splashguard	36 7/8 (937)	36 7/8 (937)	36 7/8 (937)	36 7/8 (937)
Back of case to O/S edge of front skid rail	29 1/2 (749)	29 1/2 (749)	29 1/2 (749)	29 1/2 (749)
Width of skid rail	2 3/8 (61)	2 3/8 (61)	2 3/8 (61)	2 3/8 (61)
RH end of case to outside edge of external support	5 1/2 (140)	5 1/2 (140)	5 1/2 (140)	5 1/2 (140)
Distance between edges of external support and center support	NA	28 5/8 (727)	40 5/8 (1032)	40 5/8 (1032)
Distance between edges of center supports	NA	NA	NA	44 (1118)
Distance between external supports	43 1/2 (1105)	NA	NA	NA
Distance between front skid rail and splashguard	6 (152)	6 (152)	6 (152)	6 (152)
Electrical Service  <i>(Electrical Field Wiring connection point)</i>				
(B) RH End of case to center of stub up area	36 1/4 (921)	60 1/4 (1530)	84 1/4 (2140)	132 3/8 (3363)
Back of case to center of stub up area	20 (508)	20 (508)	20 (508)	20 (508)
Length of electrical wireway 	26 1/2 (673)	26 1/2 (673)	26 1/2 (673)	26 1/2 (673)
(C) RH End of case to LH end of wireway	42 1/8 (1070)	66 1/8 (1680)	90 1/8 (2289)	138 1/4 (3511)
Waste Outlets <i>(One each end)</i> 				
(D) End of case to the center of farthest waste outlet	36 1/4 (921)	60 1/4 (1530)	84 1/4 (2140)	132 3/8 (3363)
End of case to the center of nearest waste outlet	12 1/8 (307)	12 1/8 (307)	12 1/8 (307)	12 1/8 (307)
Back O/S of case to center of waste outlets	34 7/8 (885)	34 7/8 (885)	34 7/8 (885)	34 7/8 (885)
Outside diameter of the drip pipe	1 1/4 (32)	1 1/4 (32)	1 1/4 (32)	1 1/4 (32)
Refrigeration Outlet 				
Back of case to center of refrigeration outlet	29 3/8 (745)	29 3/8 (745)	29 3/8 (745)	29 3/8 (745)
RH end of case to center of refrigeration outlet	8 (203)	8 (203)	8 (203)	8 (203)

Impact *Excel* D5X-LRE
Dairy & Delicatessen

Dimensions shown as in. and (mm).



NSF Certification

This merchandiser model is manufactured to meet ANSI/NSF (National Sanitation Foundation) Standard #7 requirements for construction, materials & cleanability.

REFRIGERATION DATA

Note: This data is based on store temperature and humidity that does not exceed 75°F and 55% R.H.

	D5X-LRE
Discharge Air °F	32
Evaporator °F	24
Unit Sizing °F	22

Btu/hr/ft ‡ — Unlit Shelves‡‡

	D5X-LRE Parallel	Conventional
UNLIT	1570	1670
PEG*	1690	1790

* Hussmann Peg Shelves (Deli only).

‡ Optional energy efficient motors reduce the refrigeration load by 55 Btu/hr/ft.
‡‡ Add 10 Btu/hr/ft *per shelf row* for LED fixtures.
Add 20 Btu/hr/ft *per shelf row* for fluorescent lamps.

DEFROST DATA

Frequency Hrs	6
Defrost Water (lb/ft/day)	10.5

(± 15% based on case configuration and product loading).

OFFTIME D5X-LRE

Temp Term °F	48
Failsafe Minutes	35

ELECTRIC OR GAS Not Recommended

Standard Defrost Thermostat

Close on rise: close 48°F — open 33°F

CONVENTIONAL CONTROLS

Low Pressure Backup Control

CI/CO**	D5X-LRE
	17°F/7°F

Indoor Unit Only,

Pressure Defrost Termination** 48°F

**Use a Temperature Pressure Chart to determine PSIG conversions.

Estimated Charge ***	D5X-RE		
4 ft	1.4 lb	22 oz	0.6 kg
6 ft	1.9 lb	30 oz	0.9 kg
8 ft	2.7 lb	43 oz	1.2 kg
12 ft	3.9 lb	62 oz	1.8 kg

***This is an average for all refrigerant types. Actual refrigerant charge may vary by approximately half a pound.

Impact *Excel* D5X-LRE

Dairy & Delicatessen

Electrical Data

			4 ft	6 ft	8 ft	12 ft				
Number of Fans — 12W			2	—	4	6				
Number of Fans — 7W			—	4	—	—				
			Amperes				Watts			
			4 ft	6 ft	8 ft	12 ft	4 ft	6 ft	8 ft	12 ft
Evaporator Fan										
120V	60Hz	Standard	1.30	2.00	2.60	3.90	100	156	200	300
120V	50Hz	Standard	1.50	2.20	3.00	4.50	114	168	228	342
230V	60Hz	Export	0.66	1.00	1.32	1.98	100	156	200	300
230V	50Hz	Export	0.76	1.12	1.52	2.28	114	168	228	342
120V	60Hz	Energy Efficient	0.60	0.76	1.20	1.80	36	56	72	108
230V	60Hz	Energy Efficient	0.30	0.40	0.60	0.90	36	56	72	108
Minimum Circuit Ampacity										
120V	60Hz	Standard	1.50	2.20	2.80	4.10				
120V	50Hz	Standard	1.70	2.40	3.20	4.70				
230V	60Hz	Export	0.86	1.20	1.52	2.18				
230V	50Hz	Export	0.96	1.32	1.72	2.48				
120V	60Hz	Energy Efficient	0.80	0.96	1.40	2.00				
230V	60Hz	Energy Efficient	0.50	0.60	0.80	1.10				
Maximum Over Current Protection 120V			20	20	20	20				
Maximum Over Current Protection 230V			15	15	15	15				
Standard Lighting (T-8 fluorescent)										
1 Row Canopy			0.26	0.51	0.51	0.77	30	59	59	85
Optional Lighting (T-8 fluorescent)										
Additional 1 Row Canopy			0.26	0.51	0.51	0.77	30	59	59	85
Additional 2 Row Canopy			0.51	1.02	1.02	1.54	59	118	118	170
Additional 3 Row Canopy			0.77	1.53	1.53	2.31	89	177	177	255
1 Row Rail Light			0.26	0.51	0.51	0.77	30	59	59	85
4 Rows of Shelves			1.02	2.04	2.04	3.08	118	236	236	340
EcoShine Multi-deck — Normal CRI—120VAC, 50/60Hz										
2 Row Canopy (Front & Rear)			0.28	0.41	0.55	0.82	33	49	66	98
4 Rows of Shelves			0.39	0.58	0.78	1.17	47	70	93	140
EcoShine Multi-deck — High CRI —120VAC, 50/60Hz										
2 Row Canopy (Front & Rear)			0.32	0.47	0.63	0.93	38	56	75	112
4 Rows of Shelves			0.47	0.70	0.93	1.40	56	84	112	168
Always*Bright Multi-deck —120VAC, 50/60Hz										
2 Row Canopy (Front & Rear)			0.38	0.55	0.71	1.08	45	66	85	130
4 Rows of Shelves			0.47	0.68	0.93	1.40	56	82	112	168

120V Lighting Circuit Total = Standard Lighting + Total Optional Lighting + Optional Shelf Lighting

230V Lighting Circuit Total = Multiply 120V Lighting Circuit Total by 0.52

Product Data

<i>Recommended Usable Cube</i> ¹ (Cu Ft/Ft)	7.60 ft ³ /ft (0.71 m ³ /m)
<i>AHRI Total Display Area</i> ² (Sq Ft/Ft)	4.91 ft ² /ft (1.50 m ² /m)
<i>Shelf Area</i> ³ (Sq Ft/Ft)	9.85 ft ² /ft (3.00 m ² /m)

- ¹ ARI Refrigerated Volume less shelving and other unusable space: Refrigerated Volume/Unit of Length, ft³/ft [m³/m]
² Computed using AHRI 1200 standard methodology: Total Display Area, ft² [m²]/Unit of Length, ft [m]
³ Shelf surface area is composed of bottom deck plus standard shelf complement, as shown in the Hussmann *Product Reference Guide*. The standard shelf complement for this model is (4) rows of 22-inch shelves.

ESTIMATED SHIPPING WEIGHT ⁴					
Case					Solid End
	<i>4 ft</i>	<i>6 ft</i>	<i>8 ft</i>	<i>12 ft</i>	(<i>each</i>)
lb (kg)	700 (318)	1050 (476)	1300 (590)	1750 (794)	100 (45)

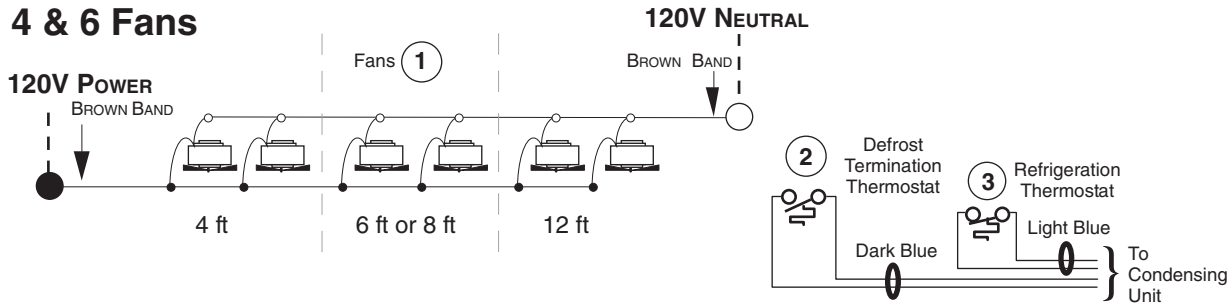
⁴ Actual weights will vary according to optional kits included.

PARTS LIST (Continued from Page 1)								
Item	Part #	Description			Item	Part #	Description	
LED FIXTURES AND POWER SUPPLY								
F.	0501213	Power Supply (EP.4481861)		(6)	G.	(CONTINUED) EcoShine LED Canopy Fixture		
G.	EcoShine LED Canopy Fixture			(7)	4441713	Rear	36-inch	2900K HCRI
	4441720	Front	48-inch	2900K HCRI	4441715	Rear	36-inch	3500K HCRI
	4441722	Front	48-inch	3500K HCRI	4441717	Rear	36-inch	3500K
	4441724	Front	48-inch	3500K	4441719	Rear	36-inch	4100K
	4441726	Front	48-inch	4100K	H.	EcoShine LED Shelf Fixture		
	4441721	Rear	48-inch	2900K HCRI	4441590	48-inch	2900K HCRI	(8)
	4441723	Rear	48-inch	3500K HCRI	4441591	48-inch	3500K HCRI	
	4441725	Rear	48-inch	3500K	4441592	48-inch	3500K	
	4441727	Rear	48-inch	4100K	4441593	48-inch	4100K	
	4441712	Front	36-inch	2900K HCRI	4441586	36-inch	2900K HCRI	
	4441714	Front	36-inch	3500K HCRI	4441587	36-inch	3500K HCRI	
	4441716	Front	36-inch	3500K	4441588	36-inch	3500K	
	4441718	Front	36-inch	4100K	4441589	36-inch	4100K	

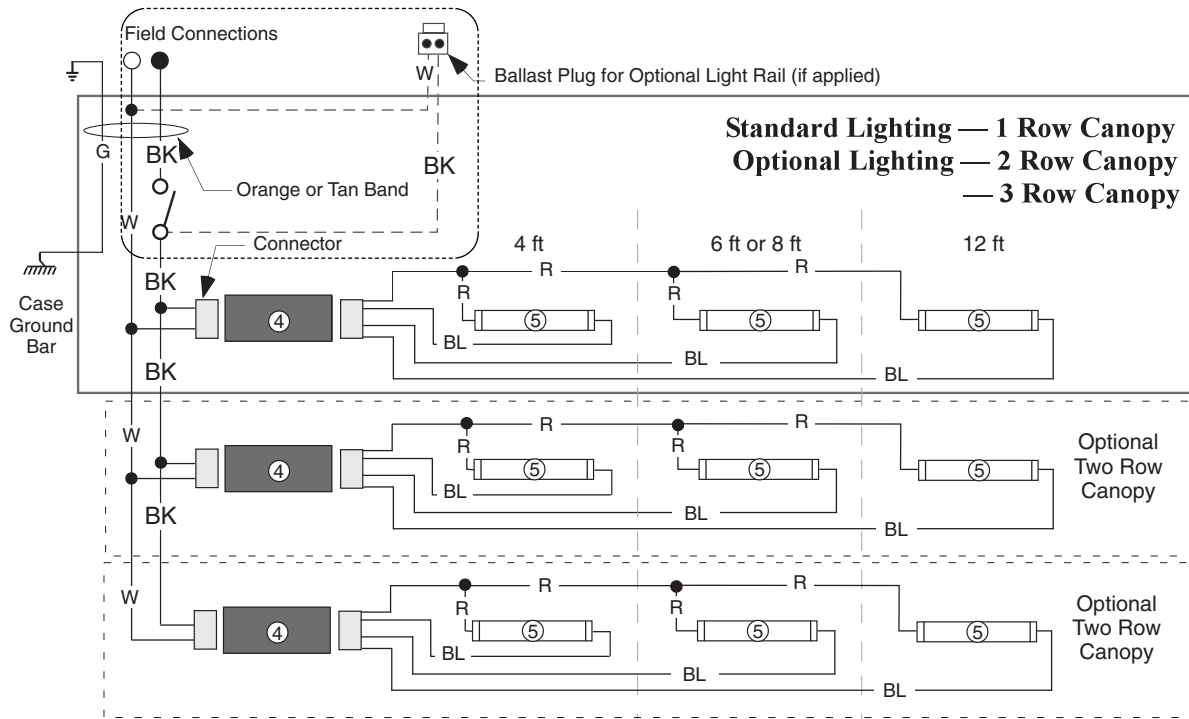
Note: Always*Bright lamps will be replaced with the latest generation of EcoShine lamps.

Fan Wiring Offtime Defrost

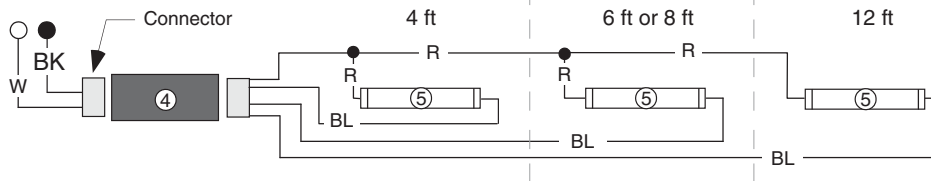
4 & 6 Fans



Canopy Light Circuits — Fluorescent Fixtures



Optional Lighting — 1 Row Rail



WARNING

All components must have mechanical ground, and the merchandiser must be grounded.

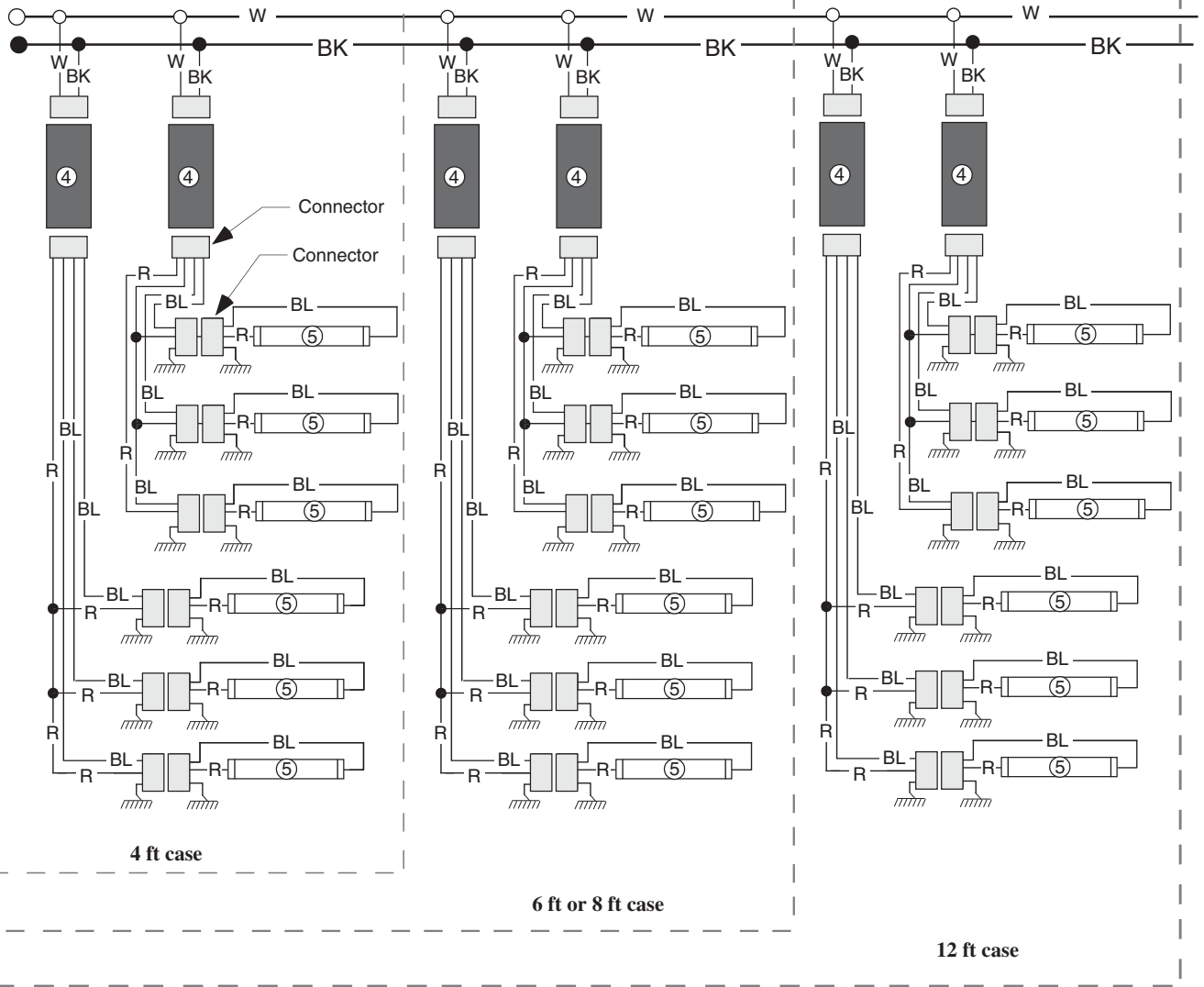
CIRCLED NUMBERS = PARTS LIST ITEM NUMBERS

R = Red Y = Yellow G = Green BL = Blue BK = Black W = White

● = 120V POWER ○ = 120V NEUTRAL ⚡ = FIELD GROUND ⏏ = CASE GROUND

Optional Shelf Lighting Fluorescent Fixtures

Optional Shelf Harness and Light Circuits for Six Rows of Shelves



WARNING

All components must have mechanical ground, and the merchandiser must be grounded.

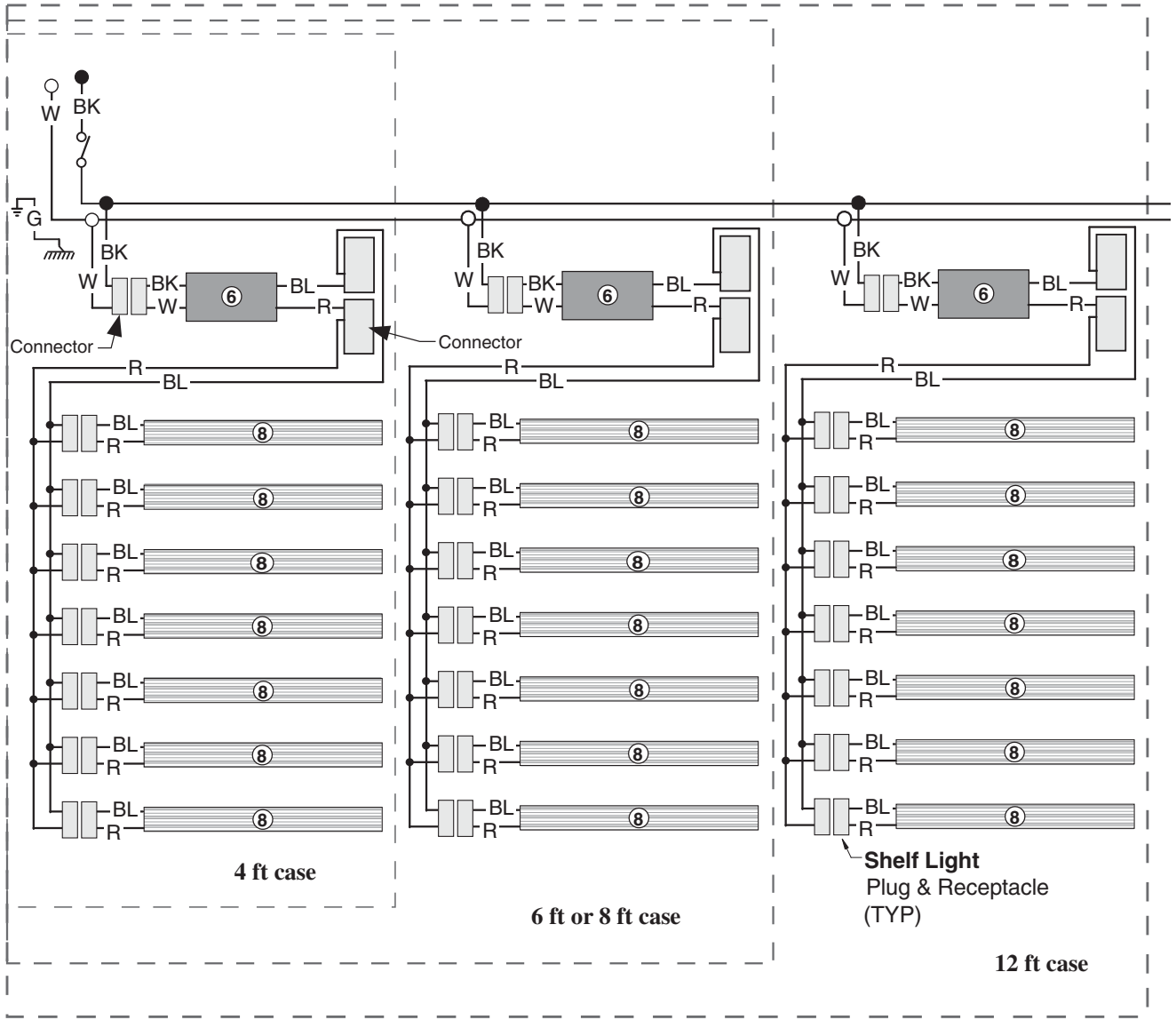
CIRCLED NUMBERS = PARTS LIST ITEM NUMBERS

R = Red Y = Yellow G = Green BL = Blue BK = Black W = White

● = 120V POWER ○ = 120V NEUTRAL ⚡ = FIELD GROUND ≡ = CASE GROUND

Optional Shelf Lighting LED Fixtures

Optional Shelf Harness and LED Light Circuits for 3, 4, 5, 6 & 7 Rows of Shelves



WARNING

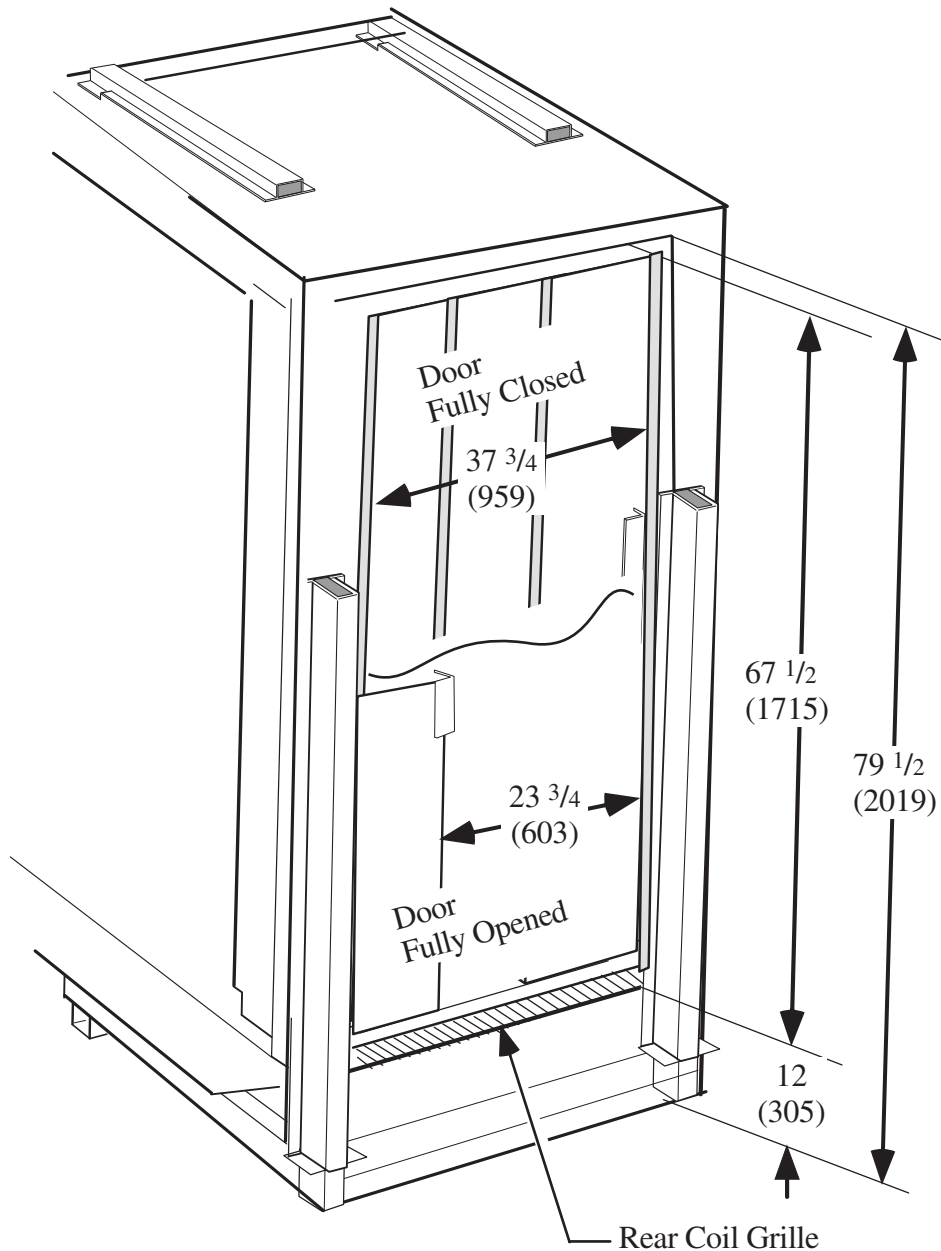
All components must have mechanical ground, and the merchandiser must be grounded.

CIRCLED NUMBERS = PARTS LIST ITEM NUMBERS

R = Red G = Green BL = Blue BK = Black W = White

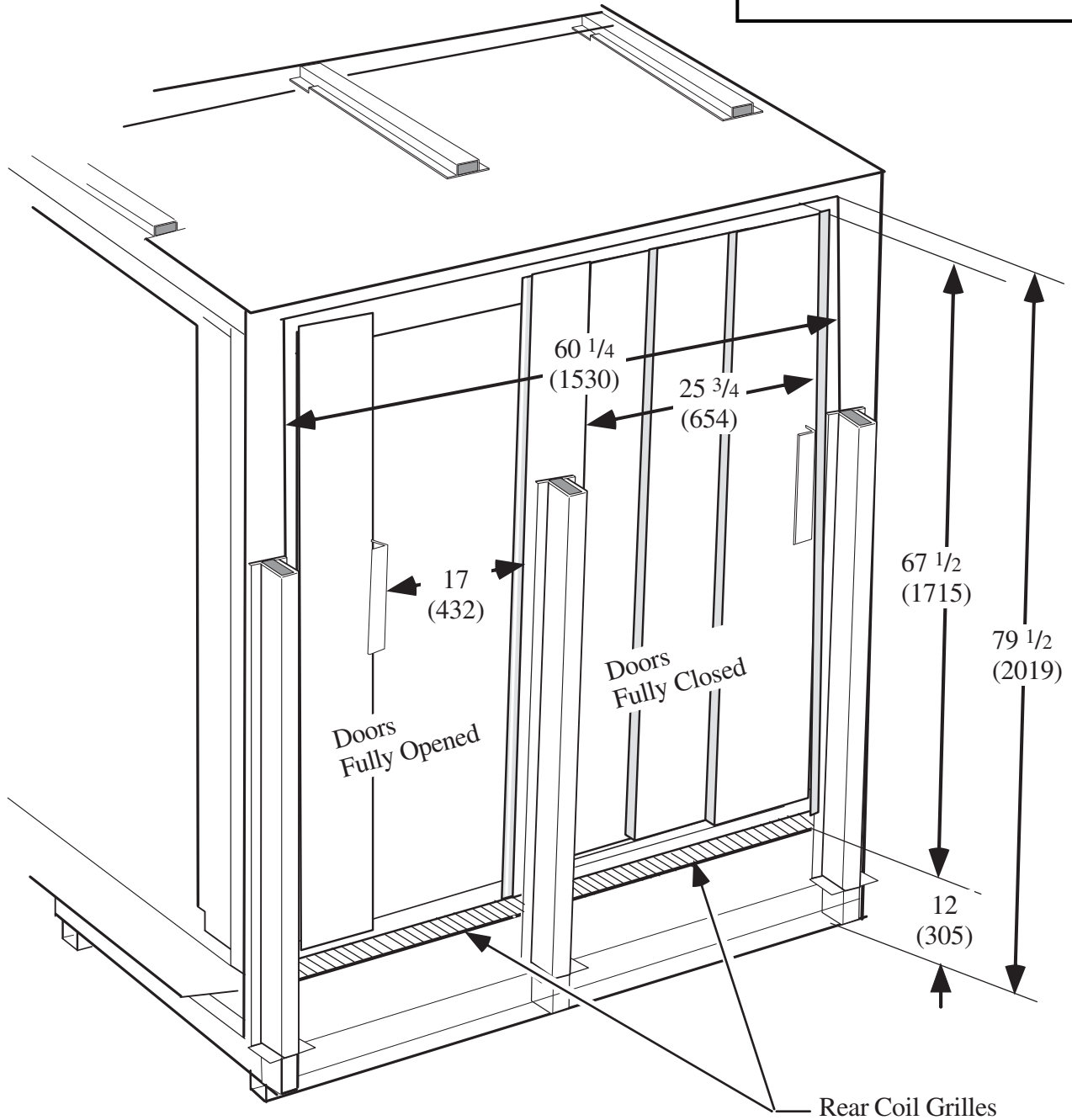
● = 120V POWER ○ = 120V NEUTRAL ⊥ = FIELD GROUND mmm = CASE GROUND

Impact *Excel* **D5X-LRE**
Dairy & Delicatessen



Rear View of 4 Foot Dairy Merchandiser
Double-walled telescoping doors slide both left and right.

NOTE: Consult Cooler Close-off Kit for instructions on connecting the merchandiser to the cooler.

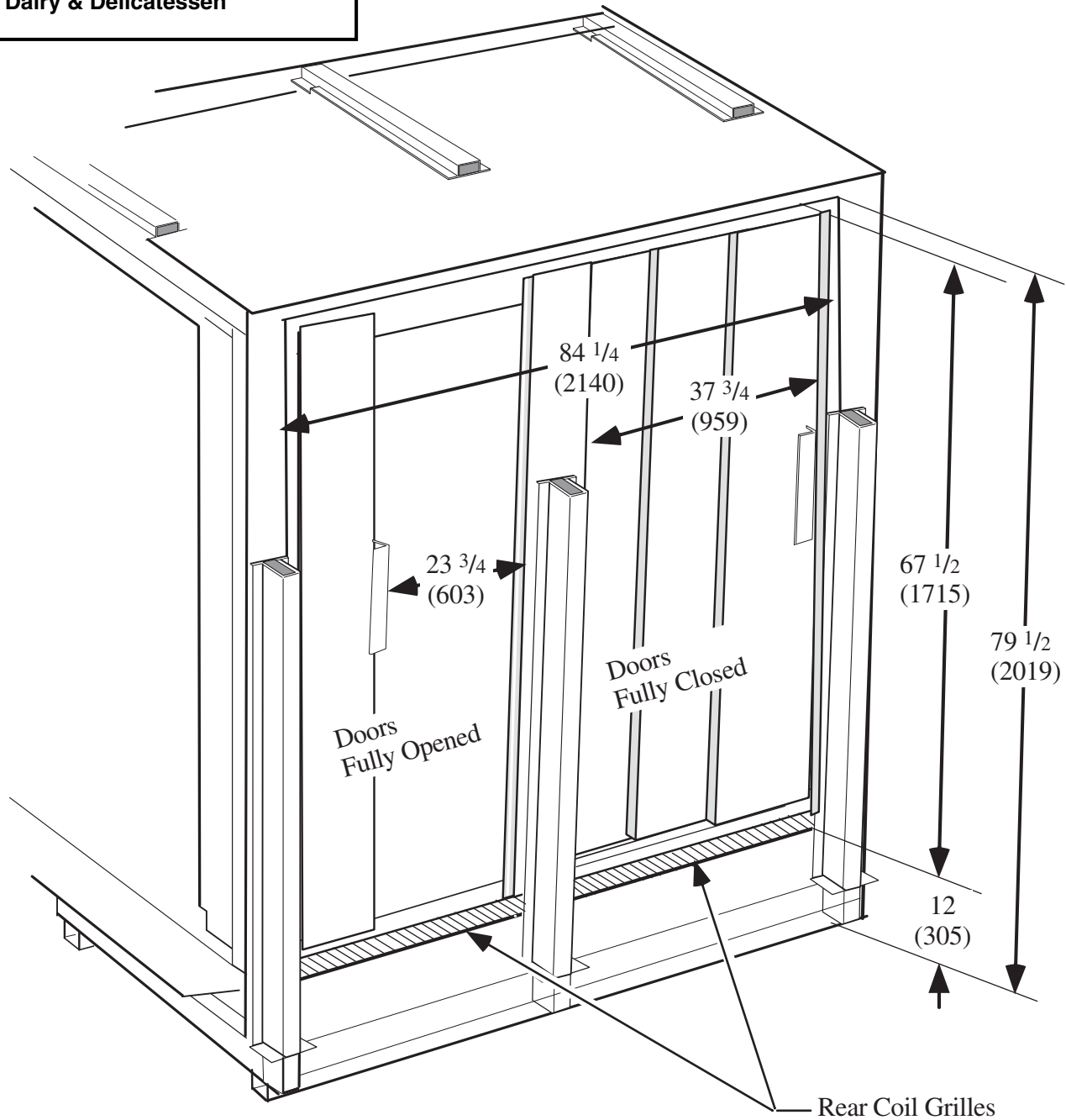


Rear View of 6 Foot Dairy Merchandiser

Double-walled telescoping doors slide both left and right.

NOTE: Consult Cooler Close-off Kit for instructions on connecting the merchandiser to the cooler.

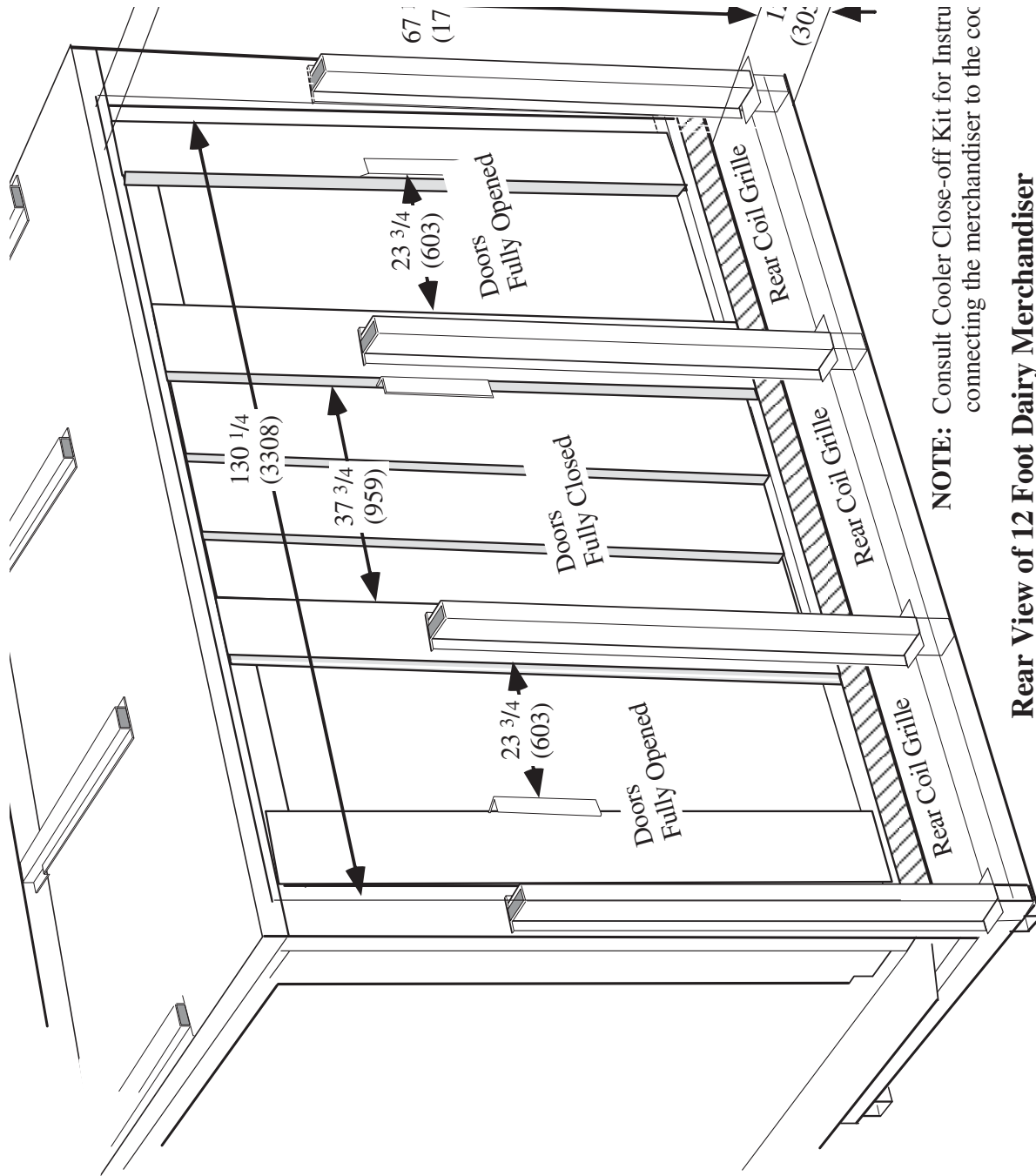
Impact *Excel* **D5X-LRE**
Dairy & Delicatessen



Rear View of 8 Foot Dairy Merchandiser

Double-walled telescoping doors slide both left and right.

NOTE: Consult Cooler Close-off Kit for instructions on connecting the merchandiser to the cooler.



NOTE: Consult Cooler Close-off Kit for Instru connecting the merchandiser to the coc

Rear View of 12 Foot Dairy Merchandiser

Double-walled telescoping doors slide both left and right.