

HUSSmann®

***FIELD-INSTALLED
LED CANOPY
LIGHTS***

FOR MULTI-DECK MERCHANDISERS

***INSTALLATION AND
OPERATION MANUAL***

P/N 0508181_C

April 2010

Spanish 0533152

French 0533153

Parts List

Item	Quantity	Description
4ft Merchandiser		
1.	1	LED Canopy Light Bar Set
2.	3	LED Light Bar Clips
3.	1	2 Connector Harness
4.	2	Light Channel Connector Clips
5.	1	LED Power Supply
6ft Merchandiser		
1.	2	LED Canopy Light Bars Set
2.	4	LED Light Bar Clips
3.	1	4 Connector Harness
4.	2	Light Channel Connector Clips
5.	1	LED Power Supply
8ft Merchandiser		
1.	2	LED Canopy Light Bars Set
2.	6	LED Light Bar Clips
3.	1	4 Connector Harness
4.	4	Light Channel Connector Clips
5.	1	LED Power Supply
12ft Merchandiser		
1.	3	LED Canopy Light Bars Set
2.	9	LED Light Bar Clips
3.	1	4 Connector Harness
4.	1	2 Connector Harness
5.	6	Light Channel Connector Clips
6.	2	LED Power Supply

IMPORTANT
KEEP IN STORE FOR FUTURE REFERENCE
Quality that sets industry standards!

12999 St. Charles Rock Road • Bridgeton, MO 63044-2483

U.S. & Canada 1-800-922-1919 • Mexico 1-800-522-1900

www.hussmann.com

© 2010 Hussmann Corporation

REVISION HISTORY

REVISION C

1. .Revised LED part numbers

SHIPPING DAMAGE

All equipment should be thoroughly examined for shipping damage before and after installation.

This equipment has been carefully inspected at our factory. Any claim for loss or damage must be made to the carrier. The carrier will provide any necessary inspection reports and/or claim forms.

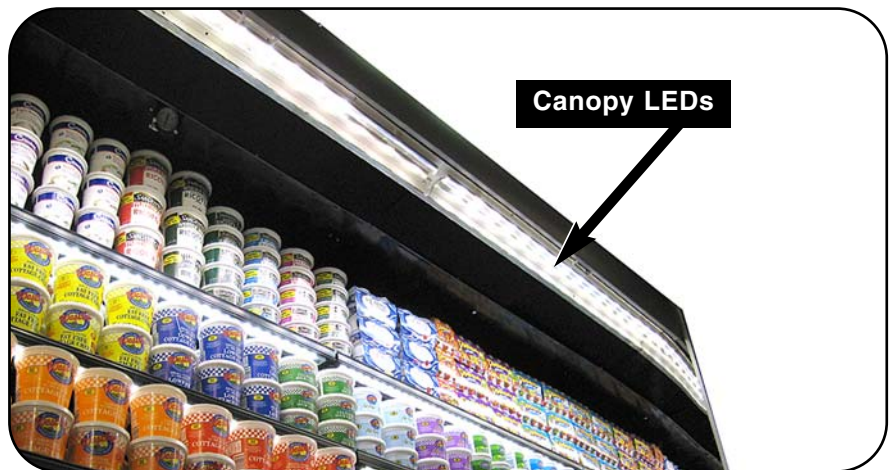
Every effort is made to ship all parts for the kit. Refer to the manual's Parts List as a checklist for verifying all field-installed LED canopy installation parts.

The Hussmann Service Center can be reached by calling:

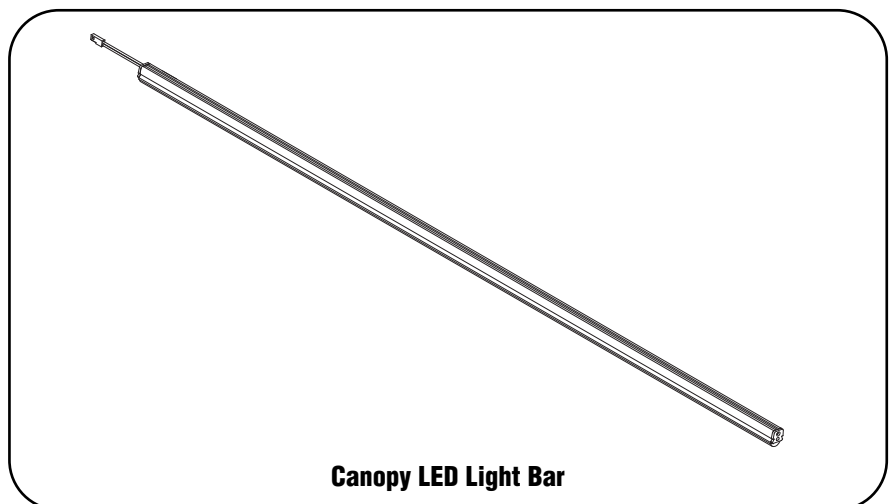
- from the U.S. & Canada
1-800-922-1919
- from Mexico
1-800-522-1900

NOTICE

Canopy LED light bars are for merchandiser canopy use only. Using canopy LED light bars in place of shelves or other equipment will result in diminished performance or damage to the LED light bar(s).



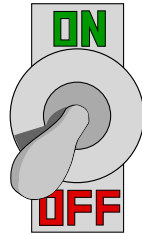
D6X Multi-Deck Merchandiser



Canopy LED Light Bar

LED LAMP RETROFIT

This instruction manual explains how to remove OEM fluorescent canopy light fixtures and replace them with LED light bars.



- 1 Disconnect power to the merchandiser.

WARNING

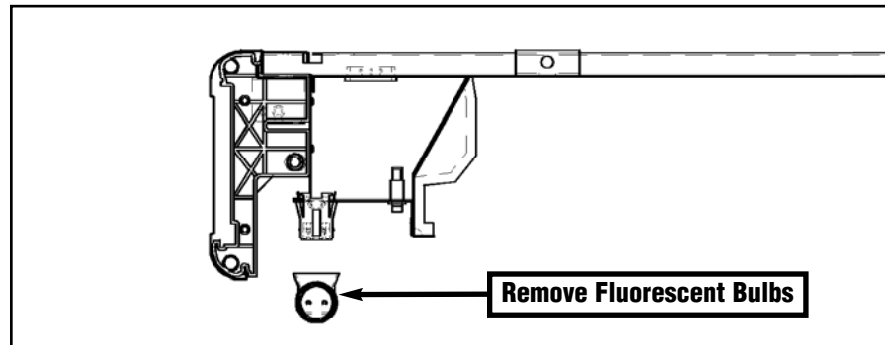
— LOCK OUT / TAG OUT —

To avoid serious injury or death from electrical shock, always disconnect the electrical power at the main disconnect when installing, servicing or replacing any electrical component. This includes, but is not limited to, such items as dimmer controls, doors, lights, fans, heaters, and thermostats.

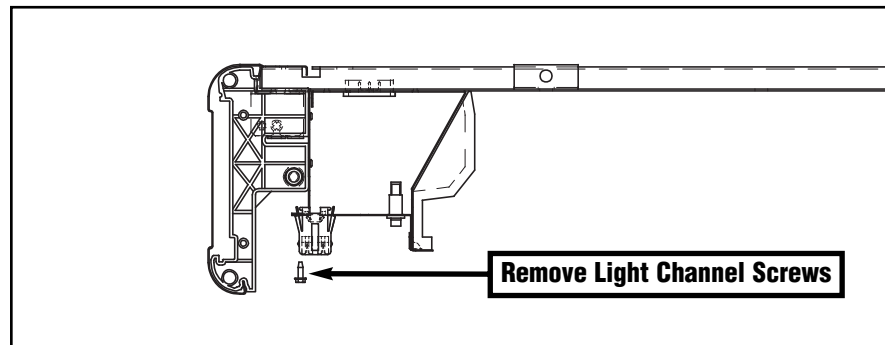
- 2 Remove all fluorescent bulbs and shields from the canopy.

NOTE:

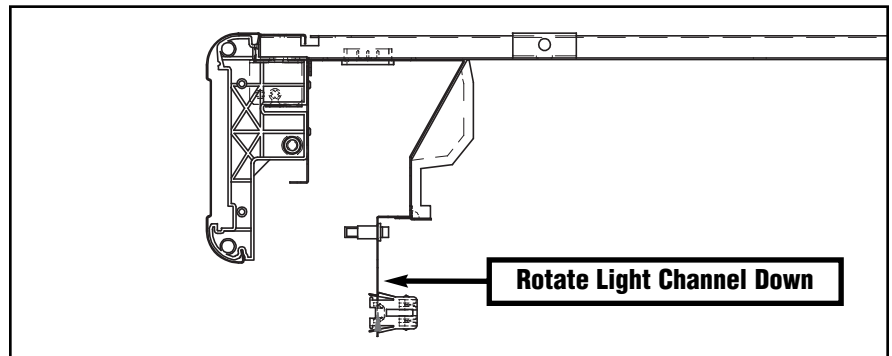
There may be one, two or three rows of fluorescent lights in the case's canopy. Remove all rows of lights



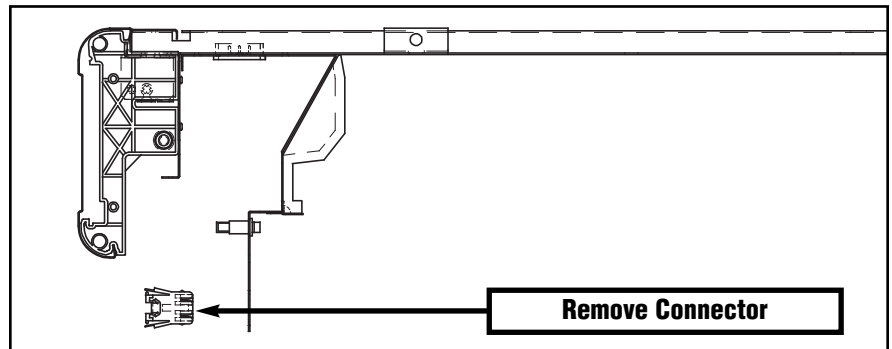
- 3 Remove screws that hold light channel in place.



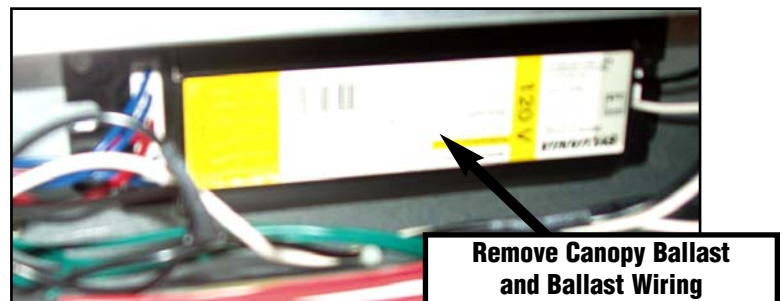
- 4** Grasp the light channel panel from the top where the top of the panel and merchandiser meet. Pull down until panel light channel rotates down and hangs freely.



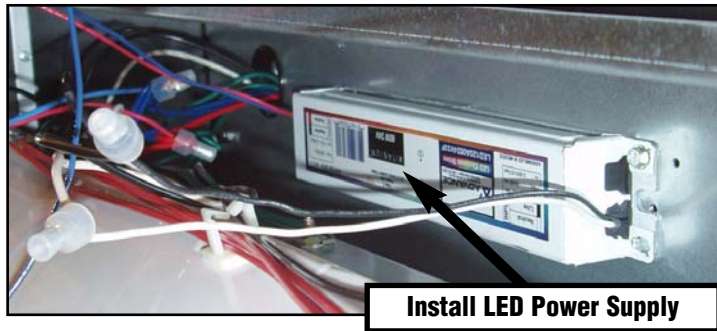
- 5** Remove Fluorescent light connector(s).



- 6** The fluorescent lamp ballast(s) are located in the light channel. Disconnect electrical wires from canopy lamp ballast. Note and tag the color of power source wires. Remove canopy lamp ballast.



7 Install LED power supply in light channel. Connect colored wires with same color power leads on LED power supply: (black with black, white with white).

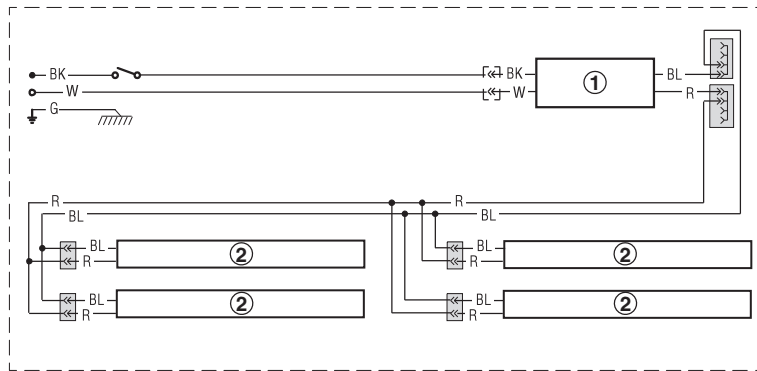


⚠ WARNING
 All electrical components must have a mechanical ground, and the case must be grounded.

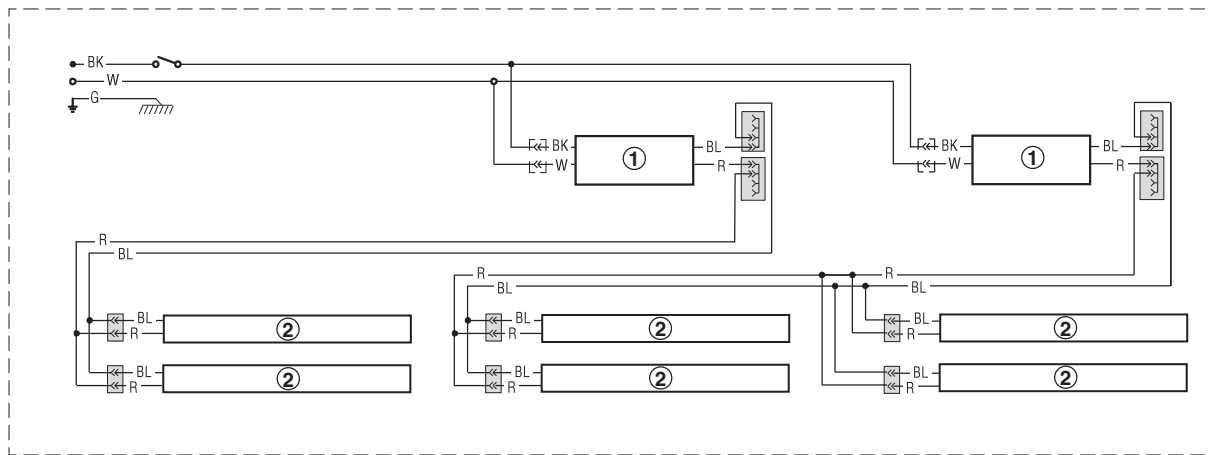
- 1 = Power Supply**
- 2 = LED Canopy Light Bar Set**

- R = Red**
- BL = Blue**
- BK = Black**
- W = White**

8-Ft Merchandiser (2 Row Canopy)



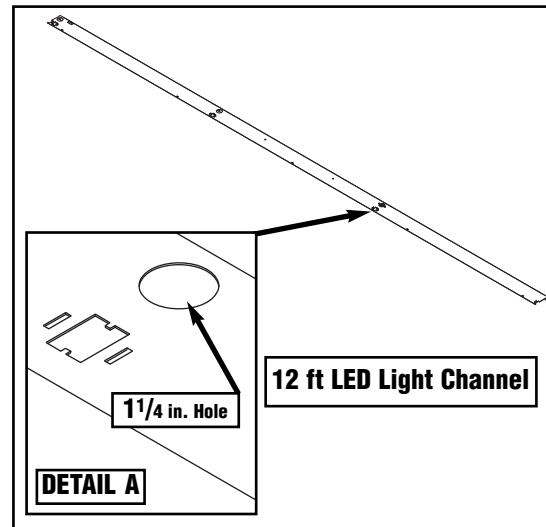
12-Ft Merchandiser (2 Row Canopy)



● = 120V POWER ○ = 120V NEUTRAL ⊥ = FIELD GROUND ≡ = CASE GROUND

- 8** A circular 1 $\frac{1}{4}$ in. hole must now be cut into the light channel to attach electrical connectors to the LED light bars as shown in **Detail A**. Cut the hole near the fluorescent tombstone cutout(s).

NOTE:
One light channel hole is needed for each light bar set installed. Ensure electrical connections reach light bar connector harness before cutting any holes in light channel.



- 9** Drill a $\frac{1}{4}$ in. hole in the light channel at LED electrical connection locations.

Use a self-centering punch to cut a 1 $\frac{1}{4}$ in. hole in the light channel. Insert the punch's center bolt through the pre-drilled hole in the light channel to make a 1 $\frac{1}{4}$ in. hole. Smooth any sharp sheet metal edges.



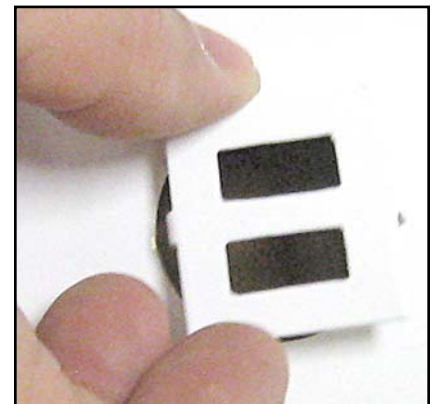
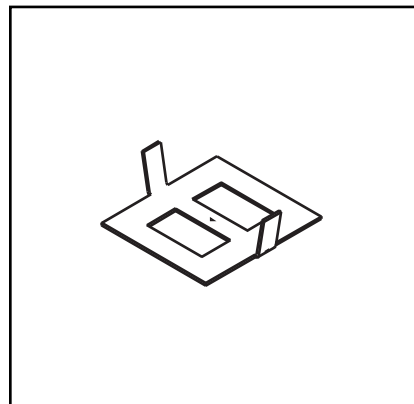
Drill $\frac{1}{4}$ in. Hole(s) in Light Channel



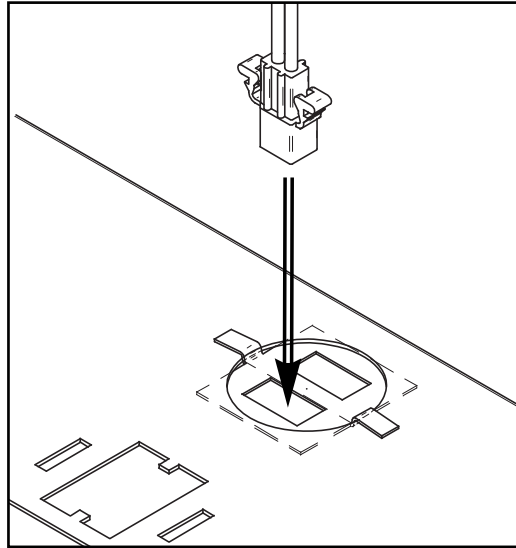
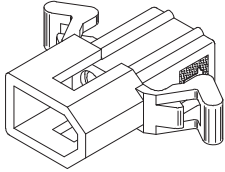
Self-Centering Punch

- 10** Insert light channel connector clips into 1 $\frac{1}{4}$ in. hole(s) in the light channel. Fold connector clip tab(s) around hole(s) as shown.

Cover fluorescent electrical cutouts with approved coverings.



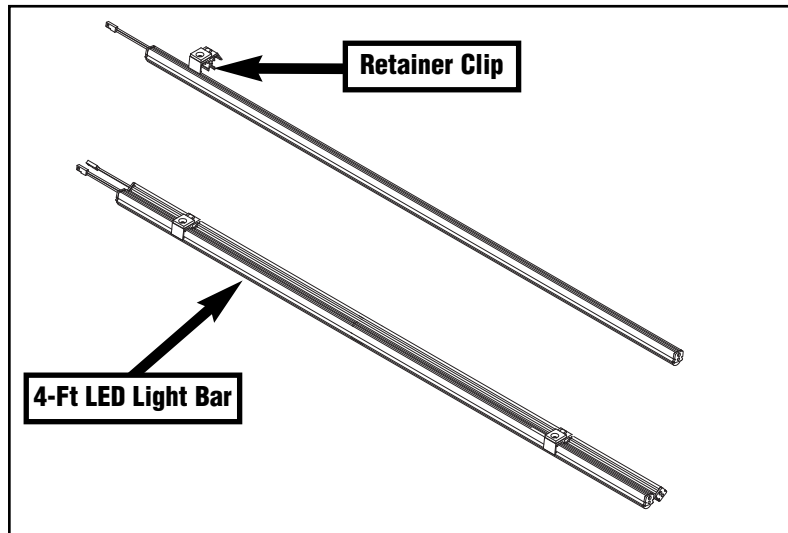
- 11** Insert LED power supply harness connector through light channel connector clip.



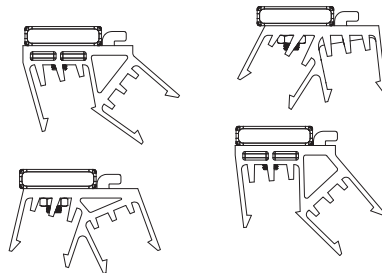
Canopy LED Light Connector

- 12** For **4-ft light bars**, place retainer clips **10 inches** from each end of light bar.

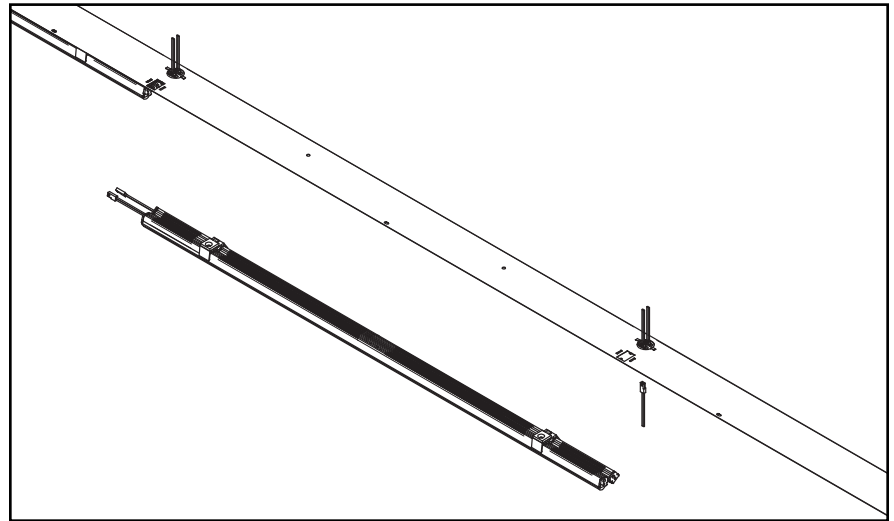
For **3-ft light bars**, place retainer clips **6 inches** from each end of light bar.



NOTE:
LED retainer clips have four different configurations.

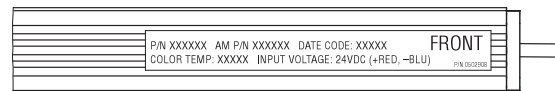


13 Attach the LED light bars to the light channel. Each retainer clip has a **magnet** on the back. Use the **magnets** to attach LED light bar(s) to light channel.

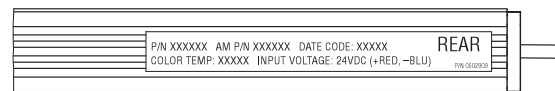


Attach Retainer Clip Magnets to Light Channel

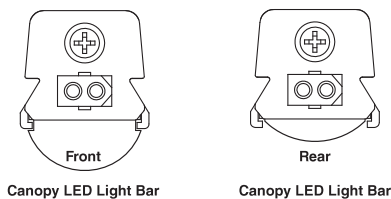
Front Canopy LED Light Bar



Rear Canopy LED Light Bar



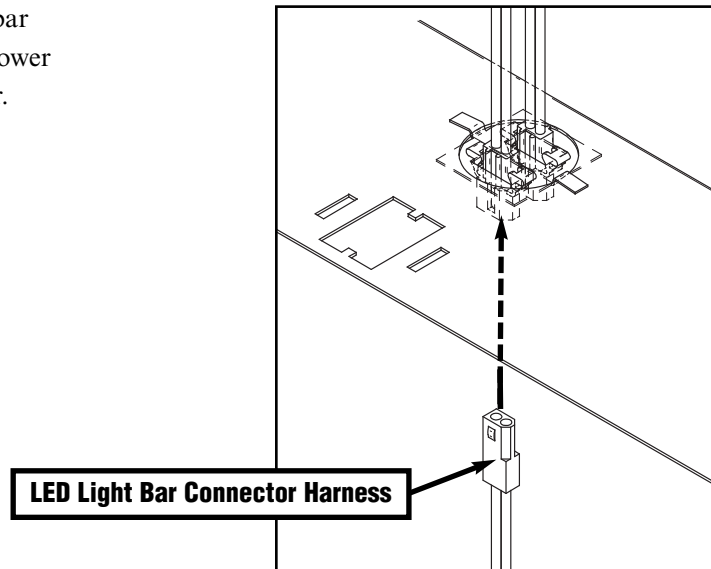
NOTE:
Front and rear LED light bars have different configurations and are not to be interchanged.



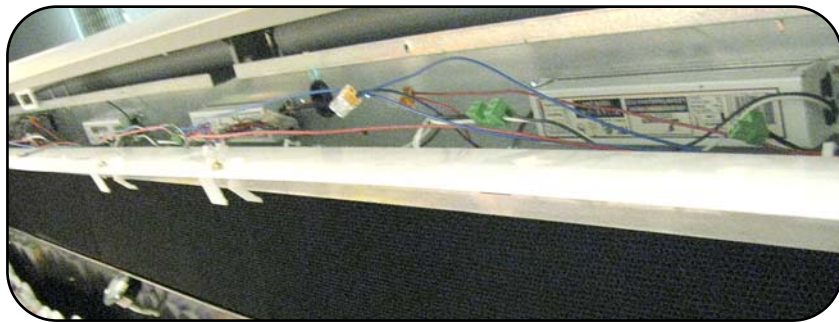
Face rear LED light bars into case. Face front LED light bars toward bottom of case display.

LED Light Bar		
Length	Color	P/N
3-ft front	2900K HCRI	4441712
3-ft rear	2900K HCRI	4441713
3-ft front	3500K HCRI	4441714
3-ft rear	3500K HCRI	4441715
3-ft rear	3500K	4441716
3-ft rear	3500K	4441717
3-ft rear	4100K	4441718
3-ft front	4100K	4441719
4-ft front	2900K HCRI	4441720
4-ft rear	2900K HCRI	4441721
4-ft front	3500K HCRI	4441722
4-ft rear	3500K HCRI	4441723
4-ft rear	3500K	4441724
4-ft rear	3500K	4441725
4-ft front	4100K	4441726
4-ft rear	4100K	4441727

- 14** Plug LED light bar connector into power supply connector.



- 15** Ensure all wires are secured in the light channel, and close light channel. *Do not pinch wires.* Replace light channel screws. Reconnect electrical power to the merchandiser. Verify LEDs are operational.



Close Light Channel Panel