

### PARTS LIST

Item	Quantity	Description / PN
1.	Refer to Table Below	Canopy Reflector / PN 0503149
2.	Refer to Table Below	Sheet Metal Screws 3/8 - 8

Quantity / 4 Ft Case	Quantity / 6 Ft Case	Quantity / 8 Ft Case	Quantity / 12 Ft Case
1 Canopy Reflector	2 Canopy Reflector	2 Canopy Reflector	3 Canopy Reflector
3 Sheet Metal Screw 3/8 - 8	4 Sheet Metal Screw 3/8 - 8	6 Sheet Metal Screw 3/8 - 8	9 Sheet Metal Screw 3/8 - 8

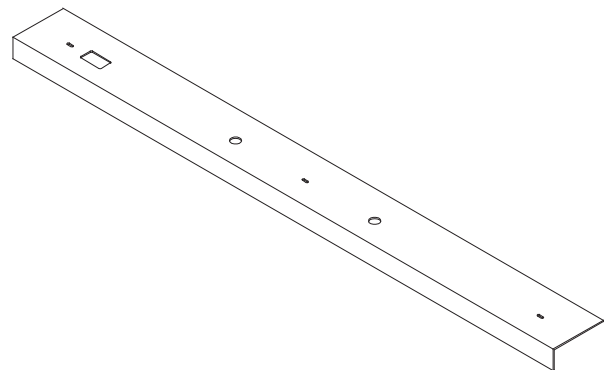
All equipment should be thoroughly examined for shipping damage before and after installation.

This equipment has been carefully inspected at our factory. Any claim for loss or damage must be made to the carrier. The carrier will provide any necessary inspection reports and/or claim forms.

Every effort is made to ship all parts for the kit. Refer to the manual's Parts List as a checklist for verifying all field-installed LED canopy installation parts.

The Hussmann Service Center can be reached by calling:

- from the U.S. & Canada  
1-800-922-1919
- from Mexico  
1-800-522-1900



**Canopy Light Reflector**

## NOTICE

Impact Canopy Reflectors  
are for Merchandiser  
canopy use only.

**P/N 0508222\_A**  
February 2009

**IMPACT CANOPY  
REFLECTOR RETROFIT**

This kit explains how to install canopy reflectors for fluorescent canopy lights.

**1** Disconnect power to the merchandiser.

**2** Remove all fluorescent bulbs and shields from the canopy.

**NOTE:**

**There may be one, two or three rows of fluorescent lights in the case's canopy. Remove all rows of lights.**

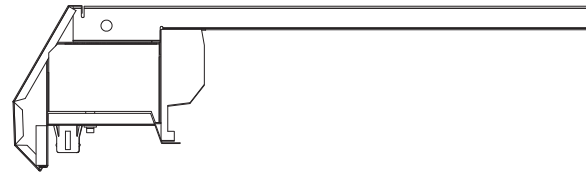
**3** Remove screws that hold light channel in place.

**4** Grasp the light channel panel from the top where the top of the panel and merchandiser meet. Pull down until light channel panel rotates down and hangs freely.

**⚠ WARNING**

**— LOCK OUT / TAG OUT —**

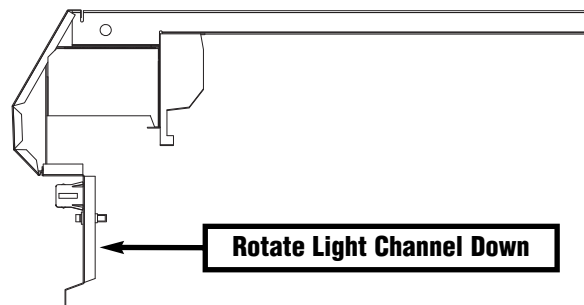
***To avoid serious injury or death from electrical shock, always disconnect the electrical power at the main disconnect when installing, servicing or replacing any electrical component. This includes, but is not limited to, such items as dimmer controls, doors, lights, fans, heaters, and thermostats.***



**Remove Fluorescent Bulbs**



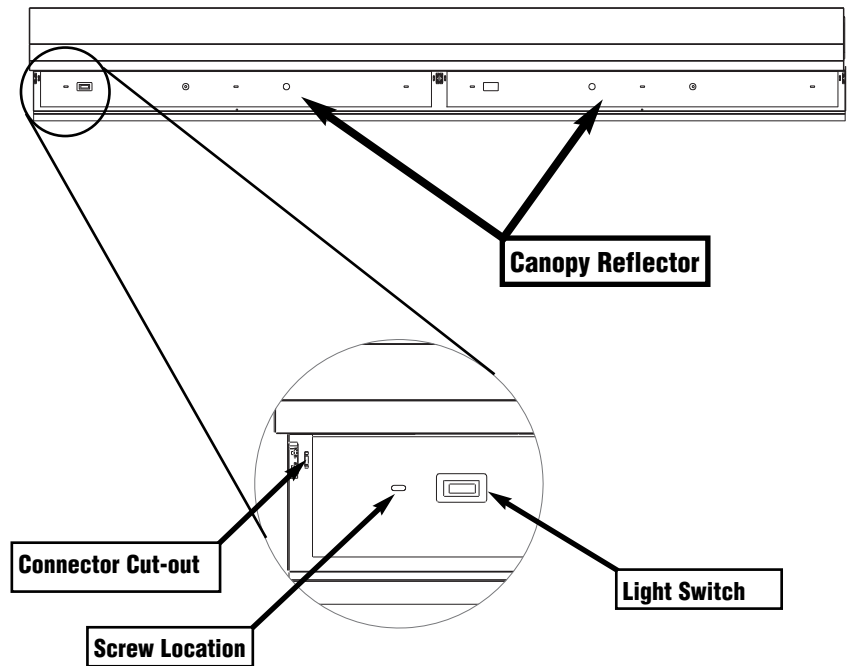
**Remove Light Channel Screws**



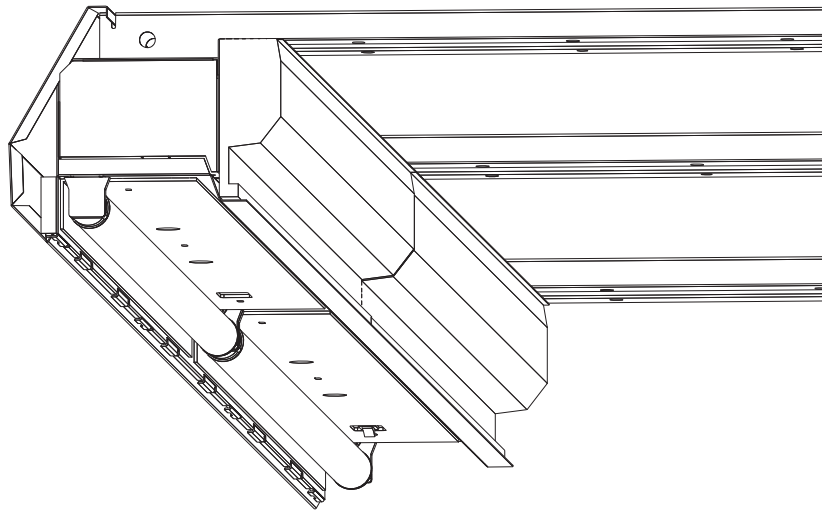
**Rotate Light Channel Down**

- 5** Install Impact Canopy Reflector into light channel between fluorescent electrical connector cut-outs. Line up screws slot locations along light channel with screw slots on Impact Canopy Reflector. Fasten **Screws (Item 2)** at each screw slot location on the Canopy Reflector.

**NOTE:**  
There are three (3) screw slot locations on each 4-ft reflector and two (2) screw slot locations on each 3-ft reflector.



- 6** Return light channel to original position. Replace light channel screws, and re-install fluorescent lights.



- 7** Restore power to the merchandiser, and verify correct fluorescent lamp operation.