

We reserve the right to change or revise specifications and product design in connection with any feature of our products. Such changes do not entitle the buyer to corresponding changes, improvements, additions or replacements for equipment previously sold or shipped.

Item	Part #	Description	Wiring Item #	Item	Part #	Description	Wiring Item #
FAN ASSEMBLIES, AND THERMOSTATS				HEATERS			
A.	4W Fan Assembly		(1)	D.	Anti-Sweat Heater		
	0392457	Fan Motor (<u>MO.4410101</u>)			0494977	Rear Rail Heater (HE.4850716)	(4)
	0376413	Fan Blade embossing toward motor (<u>FB.0376413</u>)		NOTE: The M1GE-93E, is an island end cap case, designed to be used with back to back C2LG cases with 4 in. elevated bases.			
B.	Optional Adjustable Refrigeration Thermostat,		(2)				
C.	0382028	Defrost Termination Thermostat (<u>CT.0382028</u>)	(3)				

NOTE: This revision updates part numbers on page 1.



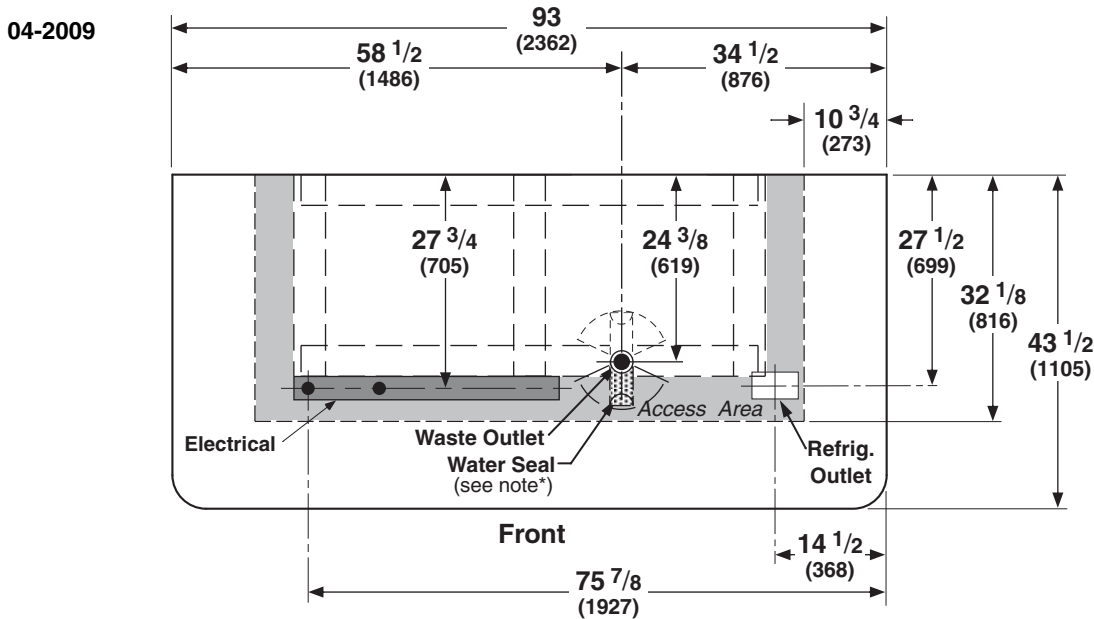
Engineering Plan View

PHYSICAL DATA

Merchandiser Drip Pipe (in.)	1 1/2
Merchandiser Liquid Line (in.)	3/8
Merchandiser Suction Line (in.)	5/8

Meat / Delicatessen
Precut & Packaged
Produce

Dimensions shown as inches and (mm).



General

- Case Length (*bumper to bumper*)
- Maximum O/S dimension of case back to front (*includes bumper*)
- Back of case to front of splashguard
- Back of case to O/S edge of front skid rail
- Width of skid rail
- Stub-up area between front skid rail and splashguard

Electrical Service (*Electrical Field Wiring connection point*)

- RH End of case to center of farthest knockout
- Back O/S of case to center of knockout

Waste Outlet

- RH End of case to the center of waste outlet
- LH End of case to the center of waste outlet
- Back O/S of case to center of waste outlet

Water Seal

- Edge of water seal to center of waste outlet
- Schedule 40 PVC drip pipe

*NOTE: Water seal outlet must clear front skid rail.

Refrigeration Outlet

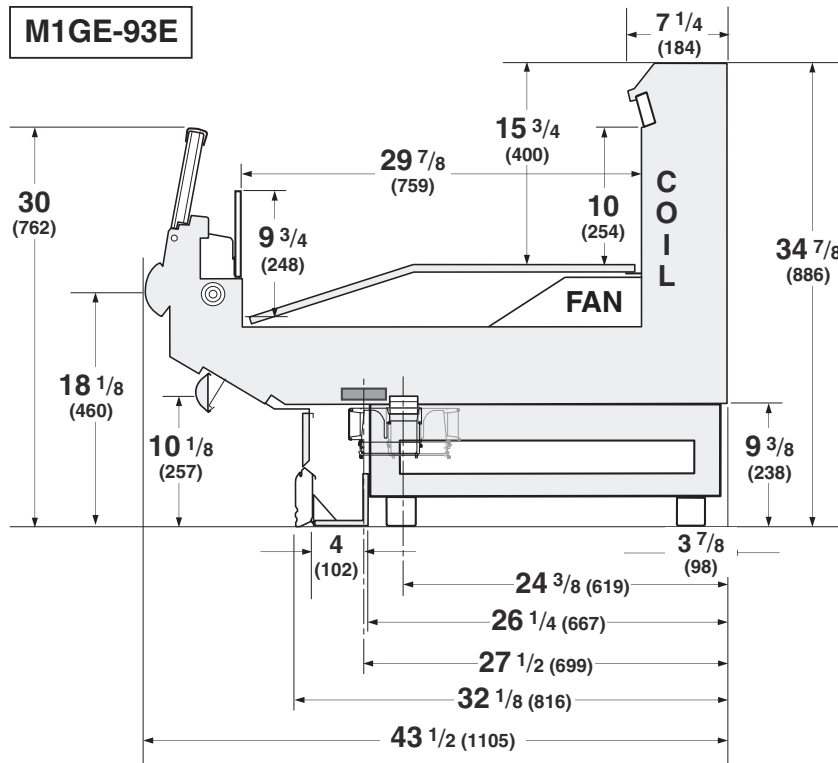
- Back O/S of case to center of refrigeration outlet
- RH end of case to center of refrigeration outlet

End

93 (2362)
43 1/2 (1105)
32 1/8 (816)
26 1/4 (667)
2 3/8 (60)
4 (102)
75 7/8 (1927)
27 3/4 (705)
34 1/2 (876)
58 1/2 (1486)
24 3/8 (619)
4 (102)
1 1/2 (38)
27 1/2 (699)
14 1/2 (368)

Impact M1GE-93E
Meat/Delicatessen
Precut & Packaged Produce

Dimensions shown as in. & (mm).



NSF Certification

This merchandiser model is manufactured to meet ANSI/NSF (National Sanitation Foundation) Standard #7 requirements for construction, materials & cleanability.

REFRIGERATION DATA

Note: This data is based on store temperature and humidity that does not exceed 75°F and 55% R.H.

	M1GE-93E
Discharge Air °F	26
Evaporator °F	18
Unit Sizing °F	16
Btu/hr/case*	M1GE-93E
Parallel	2800
Conventional	3100

*Optional energy efficient motors reduce the refrigeration load by 108 Btu/hr/case.

DEFROST DATA

	M1GE-93E
Frequency (hr)	6
Defrost Water (lb/case/day)	2
(±15% based on case configuration and product loading.)	
OFFTIME	M1GE-93E
Temp Term °F	43°F
Failsafe Minutes	35

ELECTRIC OR GAS Not Recommended

Standard Defrost Thermostat

Close on rise: close 43°F — open 33°F

CONVENTIONAL CONTROLS

Low Pressure Backup Control

	M1GE-93E
CI/CO**	11/1°F

Indoor Unit Only, Pressure Defrost

Termination**	43°F
----------------------	------

**Use a Temperature Pressure Chart to determine PSIG conversions.

Estimated Charge (lb)***

M1GE-93E	1.7
-----------------	-----

***This is an average for all refrigerant types actual refrigerant charge may vary by approximately half a pound.

Impact M1GE-93E Meat/Delicatessen Precut & Packaged Produce
--

Electrical Data

Number of Fans – 4W	End	
	2	
Merchandiser	Amperes	Watts
	End	End
Fans		
Standard	0.62	48
Energy Efficient	0.24	16
Minimum Circuit Ampacity		
With Standard Fans	0.82	
With Energy Efficient Fans	0.44	
Max. Over Current Protection	20	
Anti-sweat Heaters		
Constant on Anti-sweat Heaters	0.60	72
Standard Lighting		
None		
Optional Lighting		
None		
Standard Shelf Lighting		
None		

Product Data

<i>Recommended Usable Cube</i> ¹ (Cu Ft/Ft)	2.08 ft ³ /ft (0.19 m ³ /m)
<i>ARI Total Display Area</i> ² (Sq Ft/Ft)	2.88 ft ² /ft (0.88 m ² /m)
<i>Shelf Area</i> ³ (Sq Ft/Ft)	2.49 ft ² /ft (0.76 m ² /m)

¹ ARI Refrigerated Volume less shelving and other unusable space: Refrigerated Volume / Unit of Length, ft³/ft [m³/m]

² Computed using ARI 1200 standard methodology: Total Display Area, ft² [m²] / Unit of Length, ft [m]

³ Shelf surface area is composed of bottom deck plus standard shelf complement, as shown in the Hussmann *Product Reference Guide*. The standard shelf complement for this model is NONE.

ESTIMATED SHIPPING WEIGHT⁵

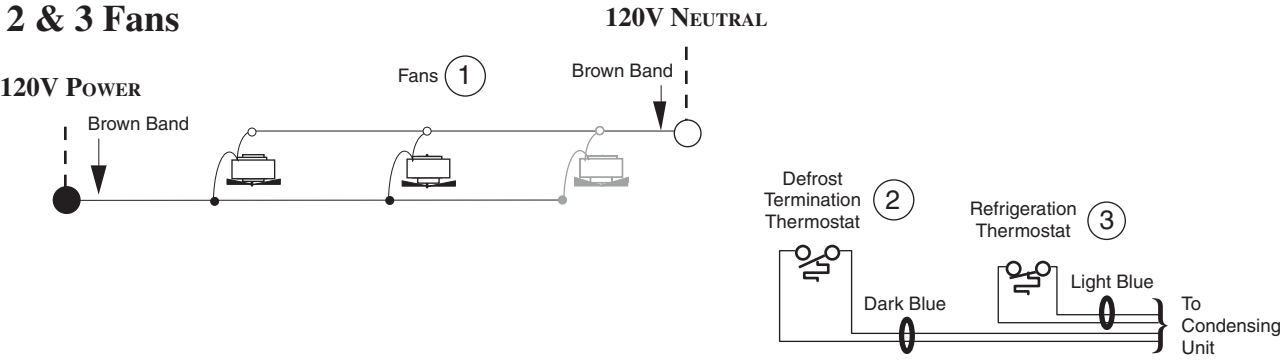
End Case

400 (181) lb (kg)

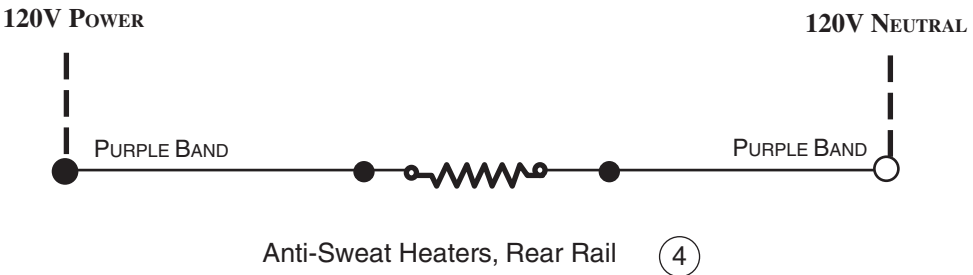
⁵ Actual weight will vary according to optional kits included.

Fan Wiring Offtime Defrost

2 & 3 Fans



Anti-Sweat Heater Rear Rail



WARNING

All components must have mechanical ground, and the merchandiser must be grounded.

CIRCLED NUMBERS = PARTS LIST ITEM NUMBERS

Grayed components in 12 foot models only.

R = Red Y = Yellow G = Green BL = Blue B = Black W = White

● = 120V POWER ○ = 120V NEUTRAL ⊥ = Field GROUND ≡ = Case GROUND