



Parts List

| Item | Quantity | | | Description |
|----------------------------|-------------------------|-----------------------|--------------------|--|
| | Wall (RL/RM/RLN/RMN) | ISLAND (RLN/RLNIE) | TALL WALL (RLT) | |
| 1. | 5 | 10 | 4 | Nut Retainer ⁵ / ₁₆ -18 (<i>Left End Only</i>) |
| 2. | 1* | 2* | 1* | Donut Gasket (per end, Ships with Case) |
| 3. | 1** | 2** | 1** | Gasket 1 x ¹ / ₂ x 180 in. |
| 4. | 1** | 2** | 1** | Gasket ¹ / ₂ x ¹ / ₄ x 180 in. |
| 5. | 1 | 1 | 1 | End Assembly |
| 6. | 6 | 12 | 6 | Flat Washer ⁵ / ₁₆ |
| 7. | 6 | 12 | — | Cap Screw ⁵ / ₁₆ x 18 x ¹ / ₄ in. (32 mm) |
| | — | — | 4 | Cap Screw ⁵ / ₁₆ x 18 x ² / ₂ in. (64 mm) |
| 8. | 6 | 12 | 5 | Plug Spacer |
| 9. | 6 | 12 | 5 | Button, Plug ⁷ / ₈ in. diameter |
| 10. | 3 | 6 | 3 | Screw, SM #8 x ¹ / ₂ in. (13 mm) Phil AB |
| 11. | 1 | 2 | 1 | Hex Nut ⁵ / ₁₆ -18 |
| 12. | — | — | 1 | Cap Screw ⁵ / ₁₆ x 18 x ⁵ / ₂ in. (140 mm) |
| 13. | 1 | 2 | — | End 'J' Molding |
| 14. | 5 | 10 | — | Shoulder Screw #8 x ¹ / ₂ in. (13 mm) (Innovator Doors) |
| 15. | 1 | 2 | 1 | End Spashguard |
| 16. | — | — | 1 | Bumper End Cover |
| 17. | — | — | 2 | Screw, Hex Head SM #8 x ¹ / ₂ in. (13 mm) |
| 18. | 1 | 1 | — | Starter Bumper (<i>Left End Only</i>) |
| Optional End Bumper | | | | |
| 19. | 1 | 1 | 1 | Bumper Retainer |
| 20. | 3 | 5 | 3 | Truss Head Screws # 10 x ¹ / ₂ in. (13 mm) |
| 21. | 2 | 2 | 2 | Bumper End Cap |
| 22. | 2 | 2 | 2 | Pan Head Screw # 8 x ¹ / ₄ in. (32 mm) |
| 23. | 1 | 1 | 1 | End Bumper |

*Donut gaskets are included with merchandiser

** Left end gaskets are included with merchandiser



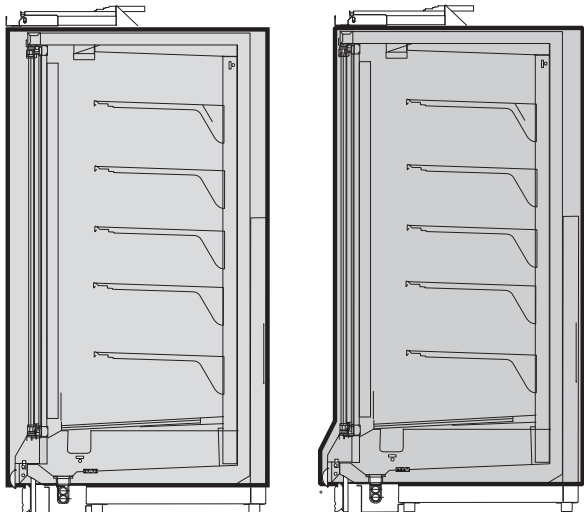


BEFORE YOU BEGIN
Read these instructions completely and carefully.



NOTICE

LifeLine Premier Series Merchandisers feature wood-clad aesthetic packages with a variety of design options. End installation instruction is different depending on the LifeLine merchandiser ordered. Identify the LifeLine merchandiser to be installed as a: Wall, Island or Tall Wall. Also identify end as rectangular or contour. See illustration below. Follow the instruction for end installation accordingly.



RECTANGULAR END

CONTOUR END

TOOLS AND SUPPLIES NEEDED



Gloves



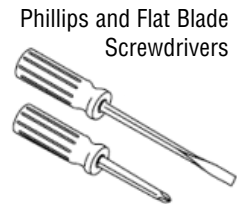
Safety Eye-wear



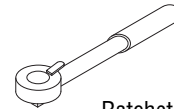
Nut Driver



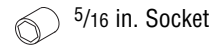
Battery-powered Drill



Phillips and Flat Blade Screwdrivers



Ratchet



5/16 in. Socket

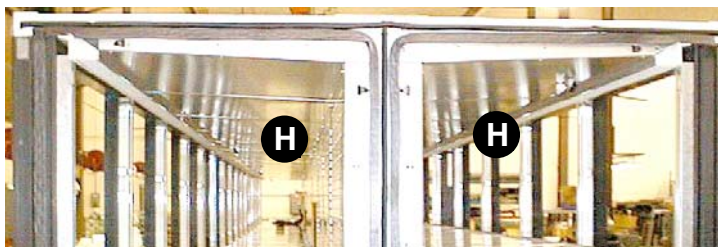
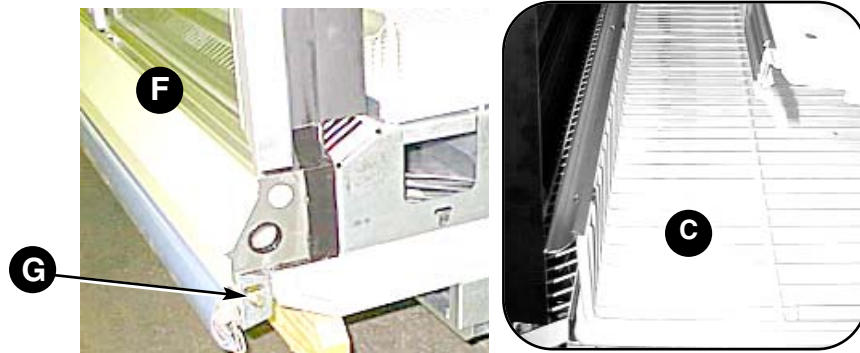
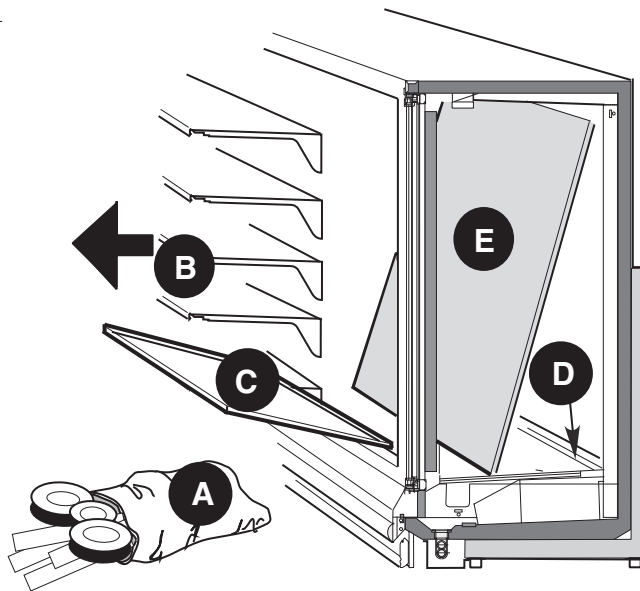
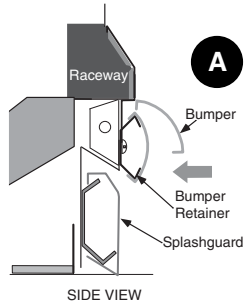


Figure 1. Prepare Case to Receive End

PREPARATION

Be sure case has been leveled according to the installation instruction. Remove any remaining shipping braces.

Carefully unpack and inspect the *End kit components*. Verify that parts listed are present and undamaged.

1 Prepare LifeLine Premier merchandisers to receive end (both sides of island) as shown in **Figure 1**.

- A. Remove bumpers, rails, packing materials, and splashguards.
- B. Remove any shelves next to the end being installed.
- C. Remove display racks and pans next to the end being installed (both sides of island).
- D. Remove rear shelf supports next to the end being installed (both sides of island).
- E. Remove back panels by lifting up and out near the bottom. No tools are necessary.
- F. Remove joint molding from door frames next to the end being installed (both sides of island).
- G. Remove alignment pin, if installed.
- H. **Island Merchandisers ONLY:** Remove screws and interior top panel next to the end being installed (both sides of island).

2 For left-hand end, install **Nut Retainers—1** as shown in **Figure 2**. If installing a right-hand end, verify that nut retainers are in place.

Remove alignment pin, if installed as shown in **Figure 3**, and replace with nut retainers.

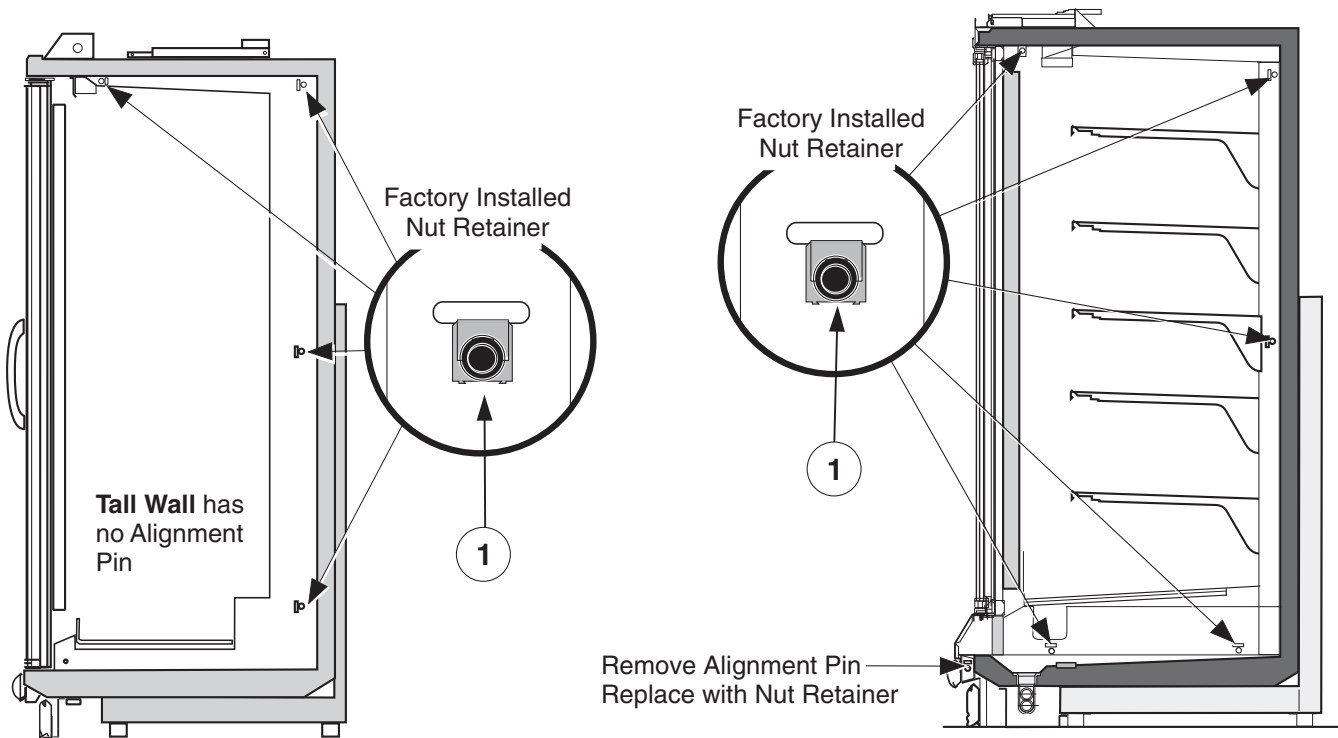
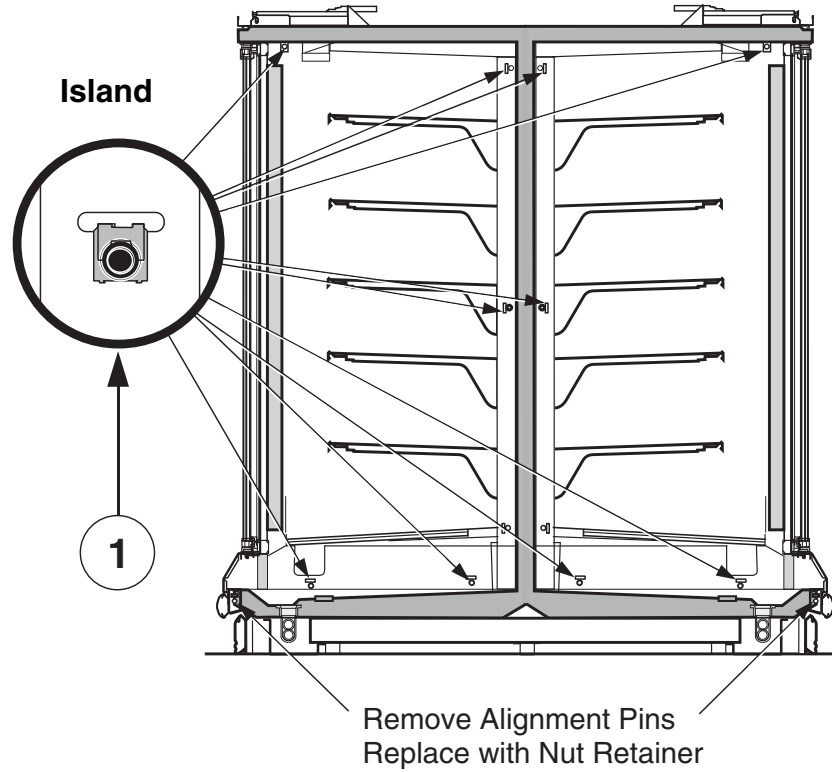
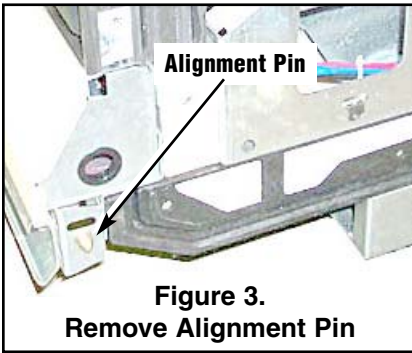


Figure 2. Install Nut Retainers

3 Apply **Donut Gasket—2** in recess around end frame as shown in **Figure 4A, 4B or 4C**. Apply the wider **Foam Tape Gasket—3** around end frame as shown. Apply the narrower **Foam Tape Gasket—4** around the outside of the donut gasket as shown in **Figure 4A**.

- Lap gaskets at lower corners.
- Check that there are no gaps between gasket and case.
- Do not stretch gasket, especially around corners. To make sharp corners, paper backing can be torn without removing from gasket.

- Do not butt gaskets; always overlap joints.
- Remove paper backing after gasket is applied to keep gasket free of debris.
- Gasket has high tack adhesive and must be properly placed the first time.

Note:
Field-supplied butyl sealant may be applied but **cannot replace gaskets**. Do not use silicone sealants.

ALL MODELS:
Apply gasket between wipes.

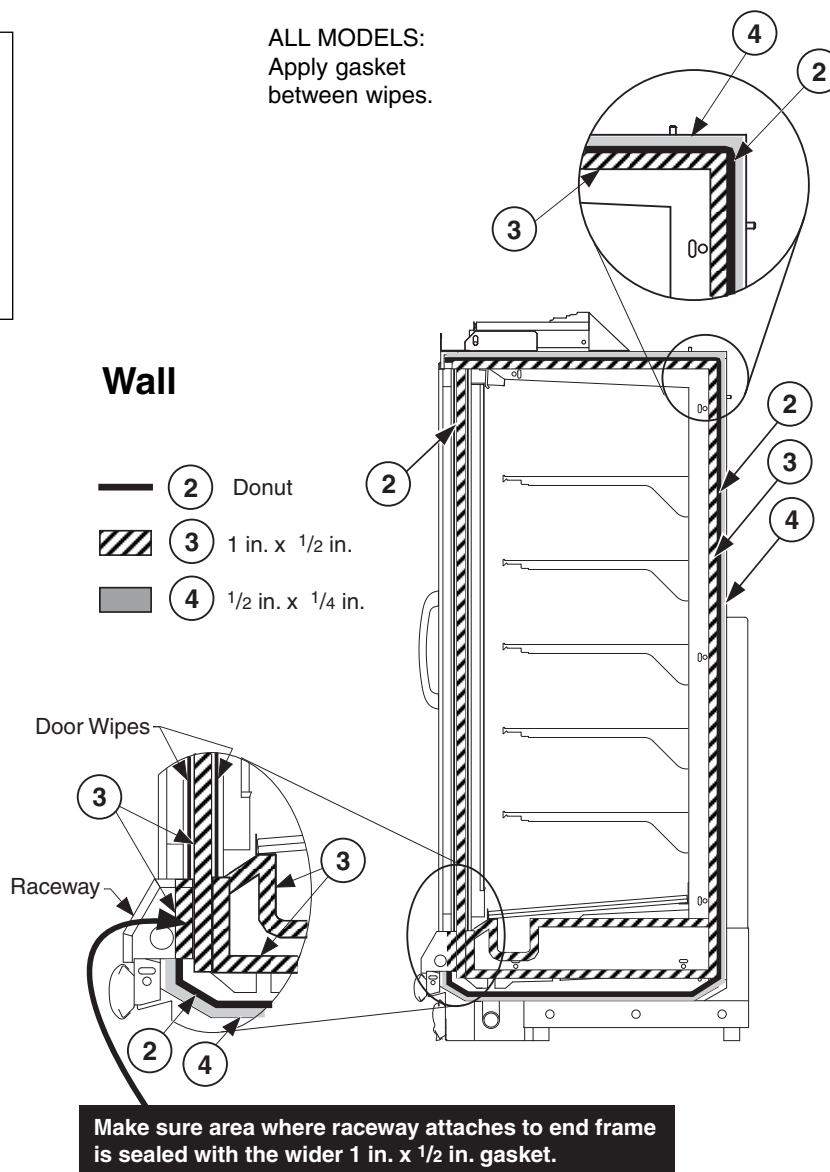


Figure 4A. Apply Gaskets to LifeLine Premier Series (Wall) Merchandisers

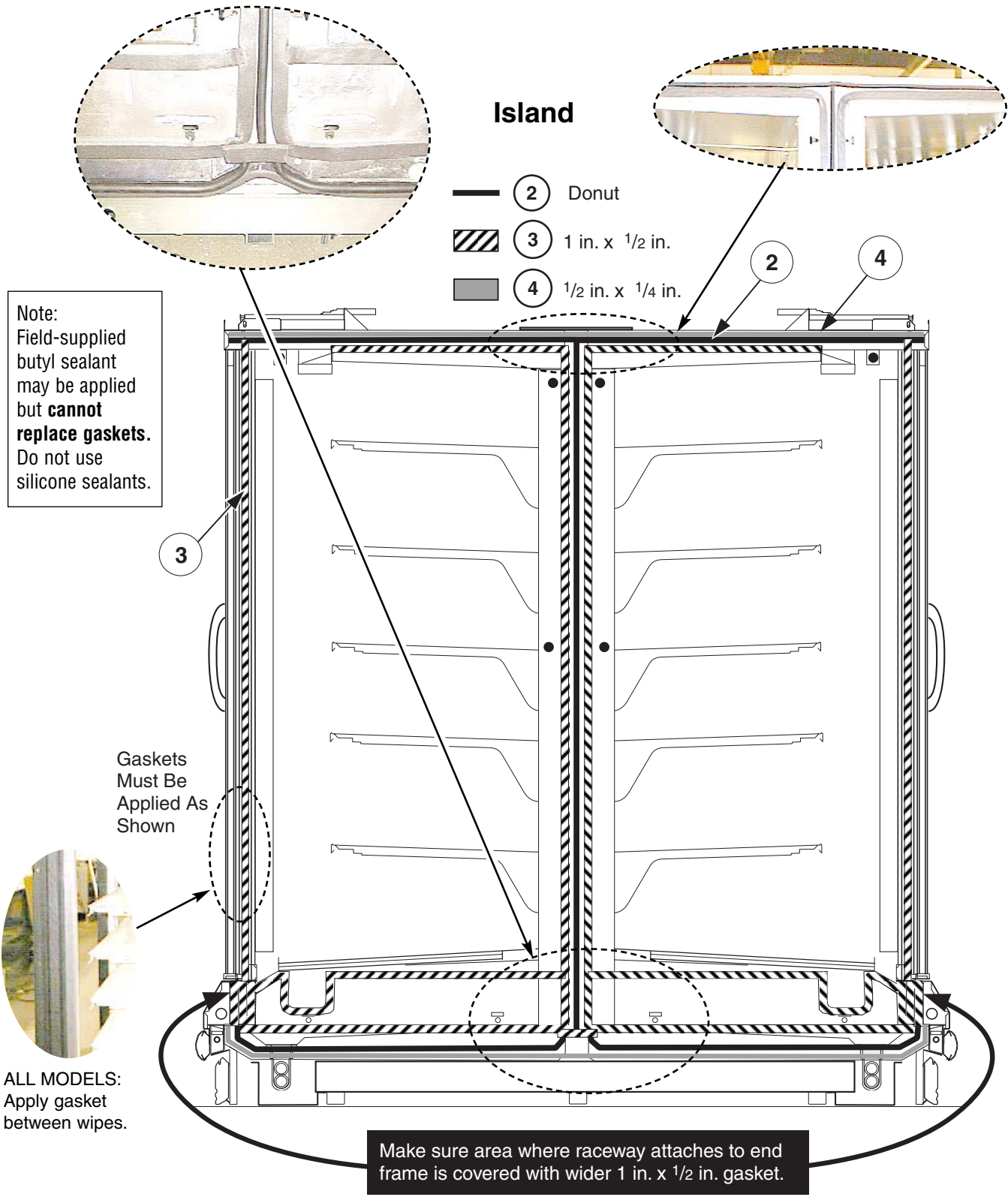


Figure 4B. Apply Gasket to Island LifeLine Premier Series (Island) Merchandiser

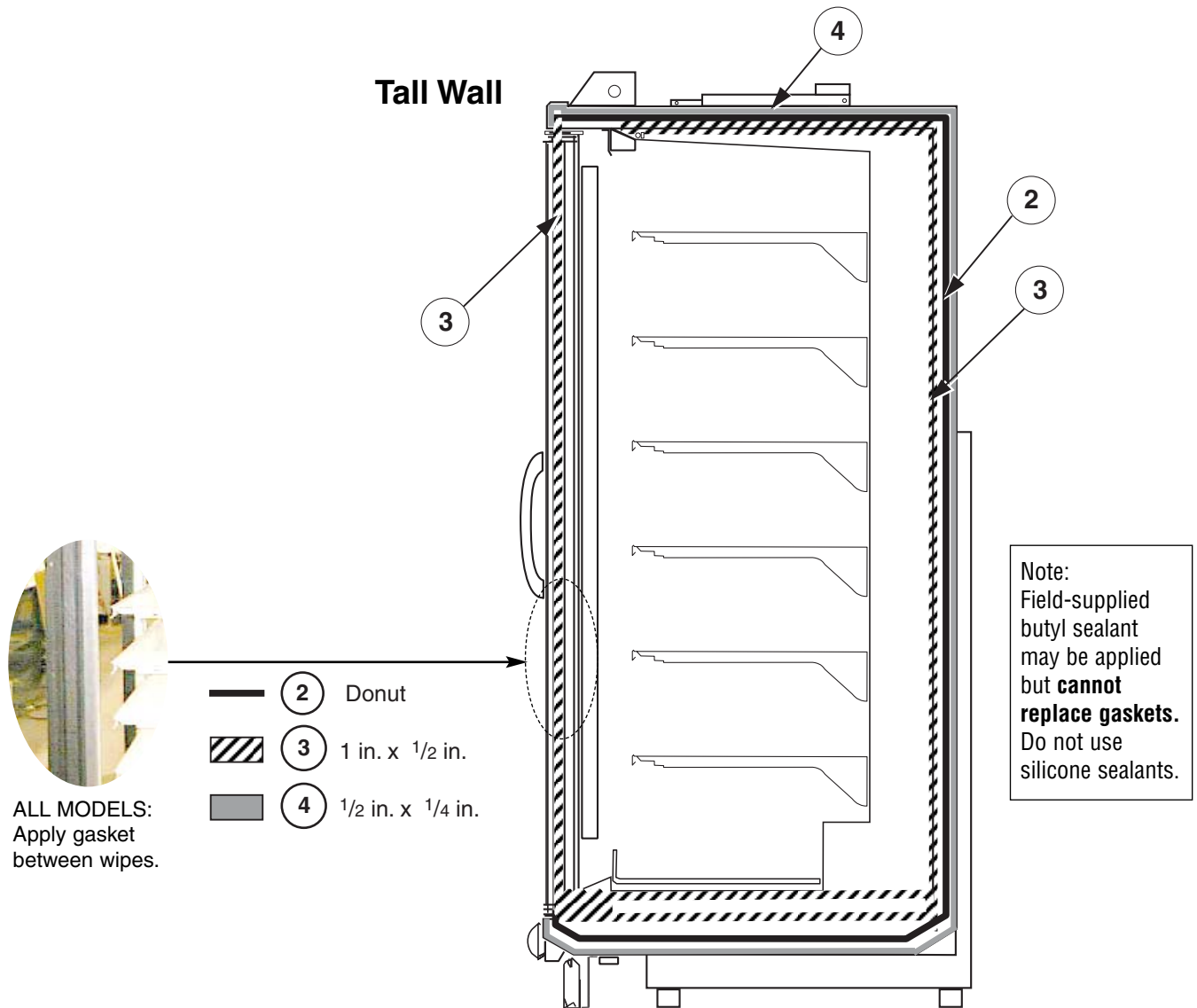


Figure 4C. Apply Gaskets to LifeLine Premier Series (Tall Wall) Merchandiser

4 Fasten End Assembly (Wall Merchandisers)

Raise the end assembly using a lever bar (mule). Align fastening locations on merchandiser end frame with end assembly. (Loosely fasten the top two locations first.)

Fasten the **End Assembly—5** to the merchandiser using **Flat Washer—6** and **Cap Screw—7**. After cap screws are tightened, insert **Plug—8** and **Button—9** as shown in **Figure 5A**.

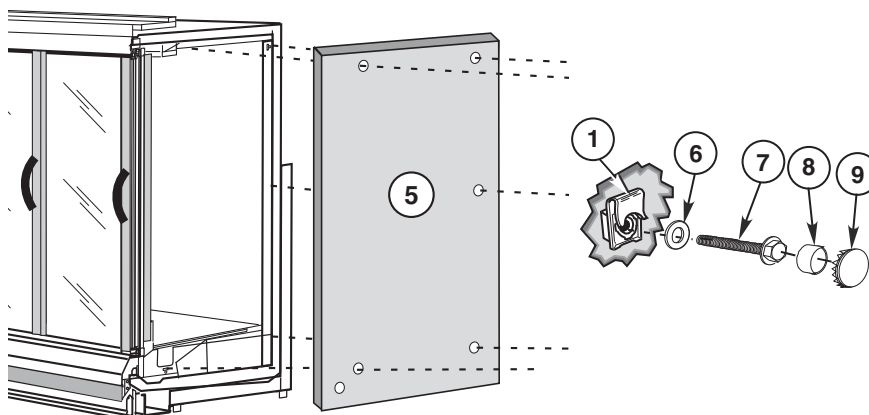


Figure 5A. Install End Assembly (Wall)

All Ends Except Tall Wall Merchandisers:

5 Fasten **End Assembly—5** at the lower front using **Flat Washers—6**, **Screw—7** and **Nut—11** as shown in **Figure 5B**. Insert **Plug—8** and **Button—9**.

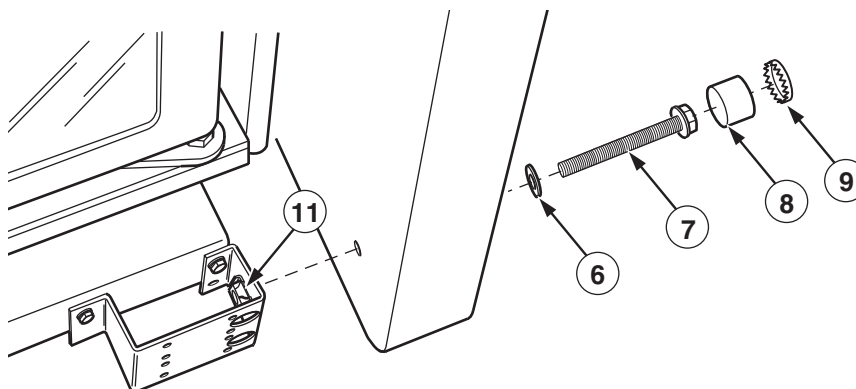


Figure 5B. Fasten Lower Front – ALL Models Except Tall Wall

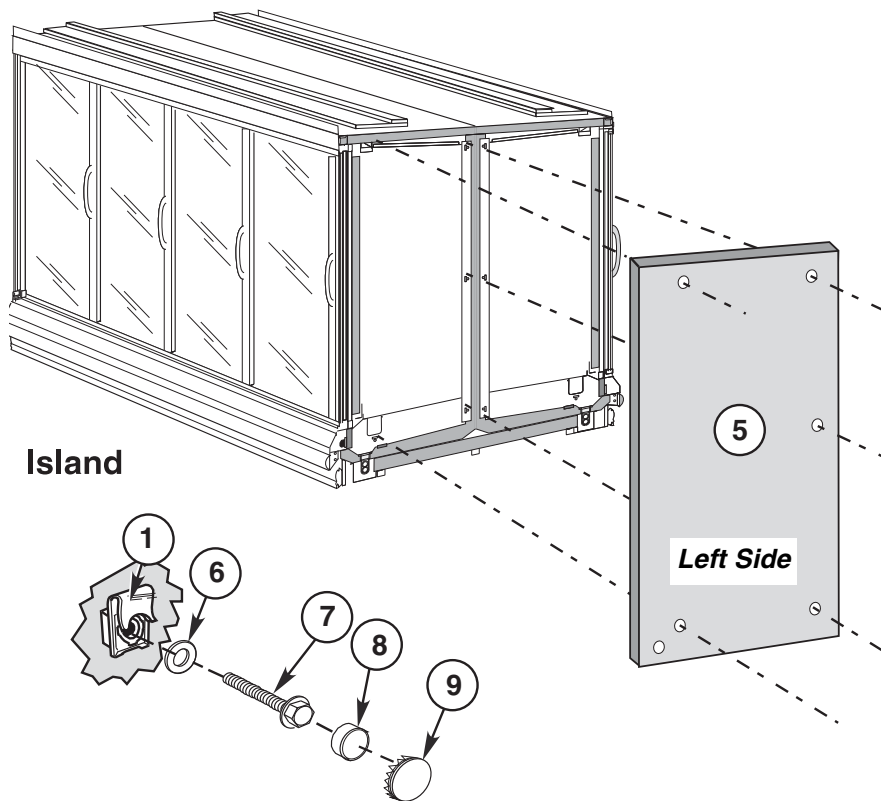


Figure 6. Install Left Side of End Assembly (Island)

6 Fasten Left Side End (Island Merchandisers)

The end panel for the Reach-in Island ships in two pieces. Raise the *Left Side* end assembly using a lever bar (mule). Align fastening locations on merchandiser end frame with end assembly. (Loosely fasten the top two locations first.)

Fasten the *Left Side* of **End Assembly—5** to merchandiser using **Flat Washer—6** and **Cap Screw—7** as shown in Figure 6. After cap screws are tightened, insert **Plug—8** and **Button—9**.

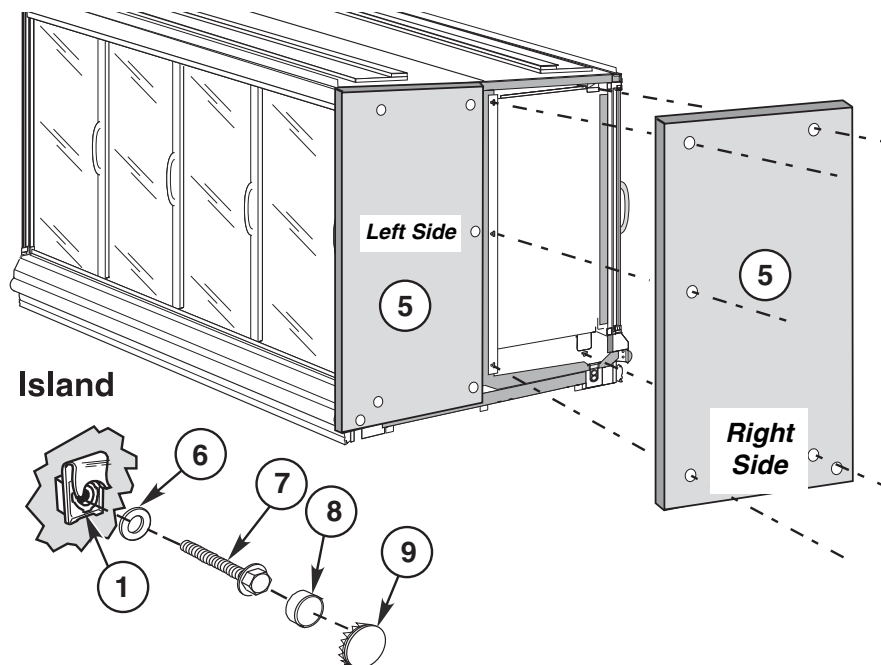


Figure 7. Install Right Side of End Assembly (Island)

7 Install Right Side End (Island Merchandisers)

Attach the *Right Side* of the **Solid End Assembly—5** using **Flat Washer—6** and **Cap Screw—7**. After screw caps are tightened, insert **Plug—8** and **Button—9** as shown in Figure 7.

Fasten left and right side **End Assembly—5** at the lower front using **Flat Washers—6**, **Screw—7** and **Nut—11** as shown in Figure 5B. Insert **Plug—8** and **Button—9**.

8 Fasten End Assembly (Tall Wall Merchandisers)

Raise the end assembly using a lever bar (mule). Align fastening locations on merchandiser end frame with end assembly. (Loosely fasten the top two locations first.)

Fasten the **End Assembly—5** to the merchandiser using **Flat Washer—6** and **Cap Screw—7**. After cap screws are tightened, insert **Plug—8** and **Button—9** as shown in **Figure 8A**.

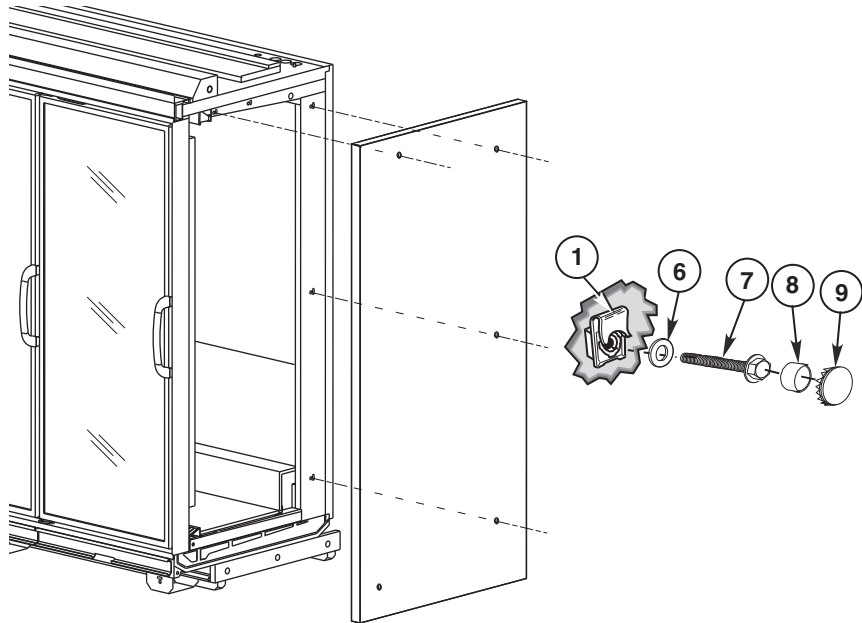


Figure 8A. Install End Assembly (Tall Wall)

For Tall Wall Ends Only:

9 Fasten **End Assembly—5** at the lower front using **Flat Washers—6**, **Screw—12** and **Nut—11** as shown in **Figure 8B**. Insert **Plug—8** and **Button—9**.

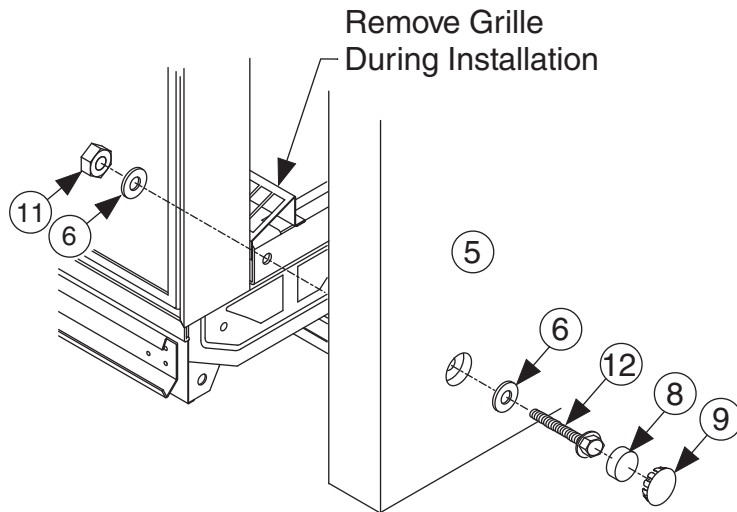


Figure 8B. Fasten Lower Front (Tall Wall)

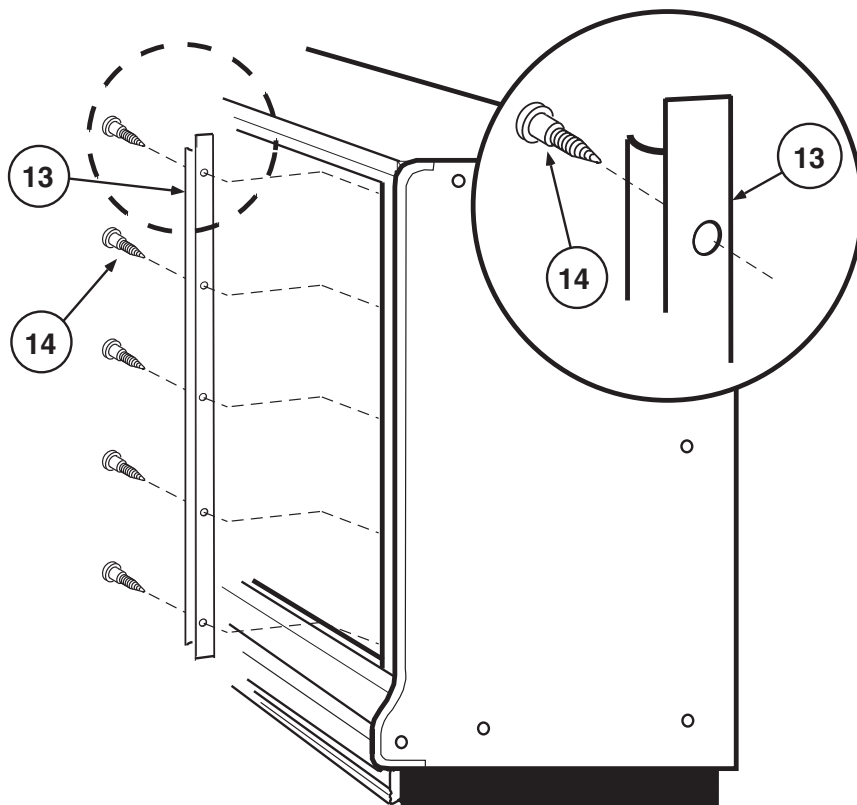


Figure 9. Install 'J' Molding

10 Install 'J' Molding (Innovator and Innovator II doors only)

Insert **End 'J' Molding—13** between door frame and end assembly. Align holes in molding with holes in door frame then insert **Shoulder Screws—14** as shown in **Figure 9**.

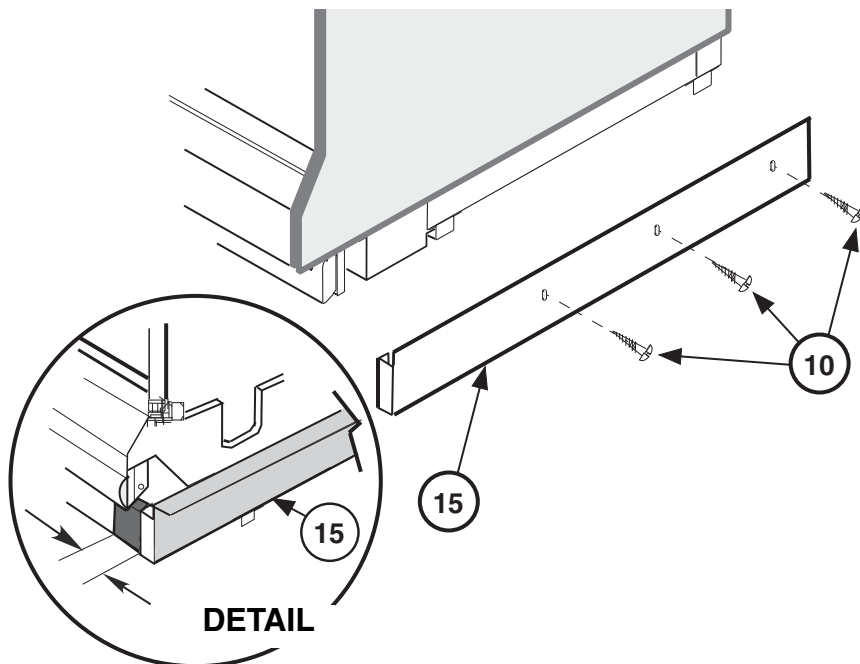


Figure 10. Install End Splashguard

11 Align End Splashguard—15 with front splashguard as shown in Figure 10 . Fasten to end frame of case using Screws—10.

Tall Wall Only

12 Attach the **Bumper End Cover—16 (Rectangular End only)** on the merchandiser's front bumper retainer using **Screws—17** as shown in **Figure 11**.

NOTE: Tall wall merchandisers do not have starter bumpers.

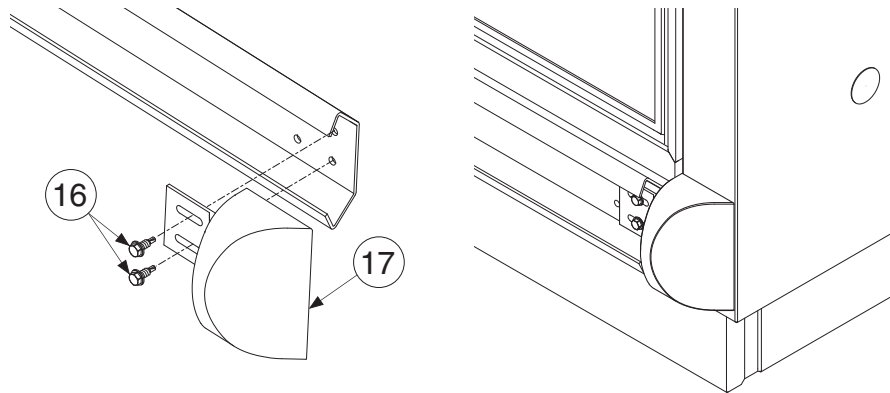


Figure 11.
Install Bumper End Cover

13 Left End Only: Install **Starter Bumper—18** on the case front bumper retainer as shown in **Figure 12** and in Section 1 of the merchandiser's installation manual.

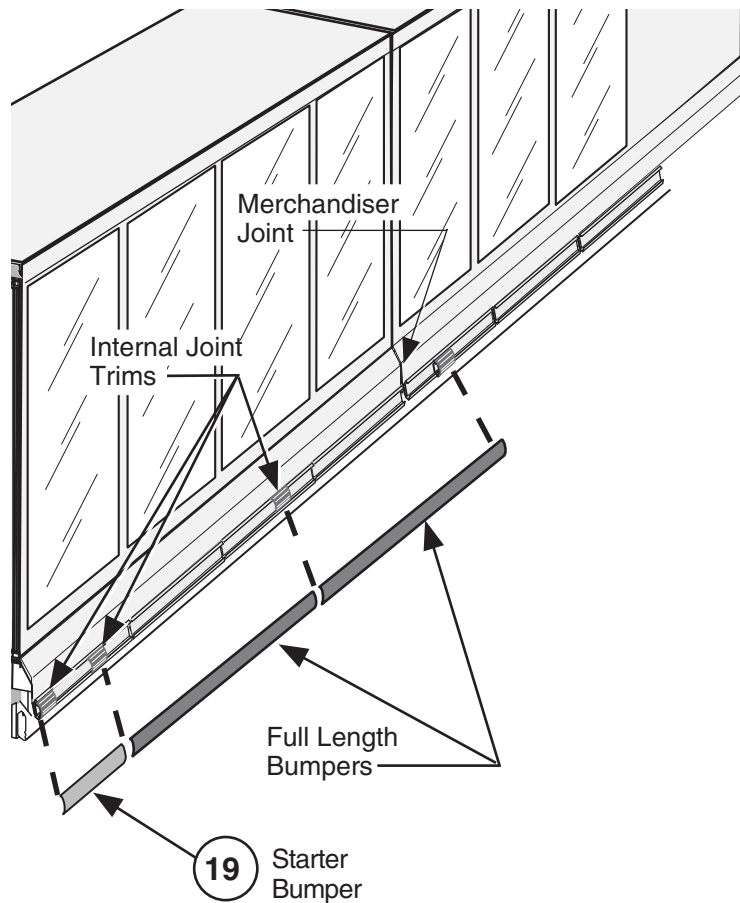


Figure 12. Install Starter Bumper

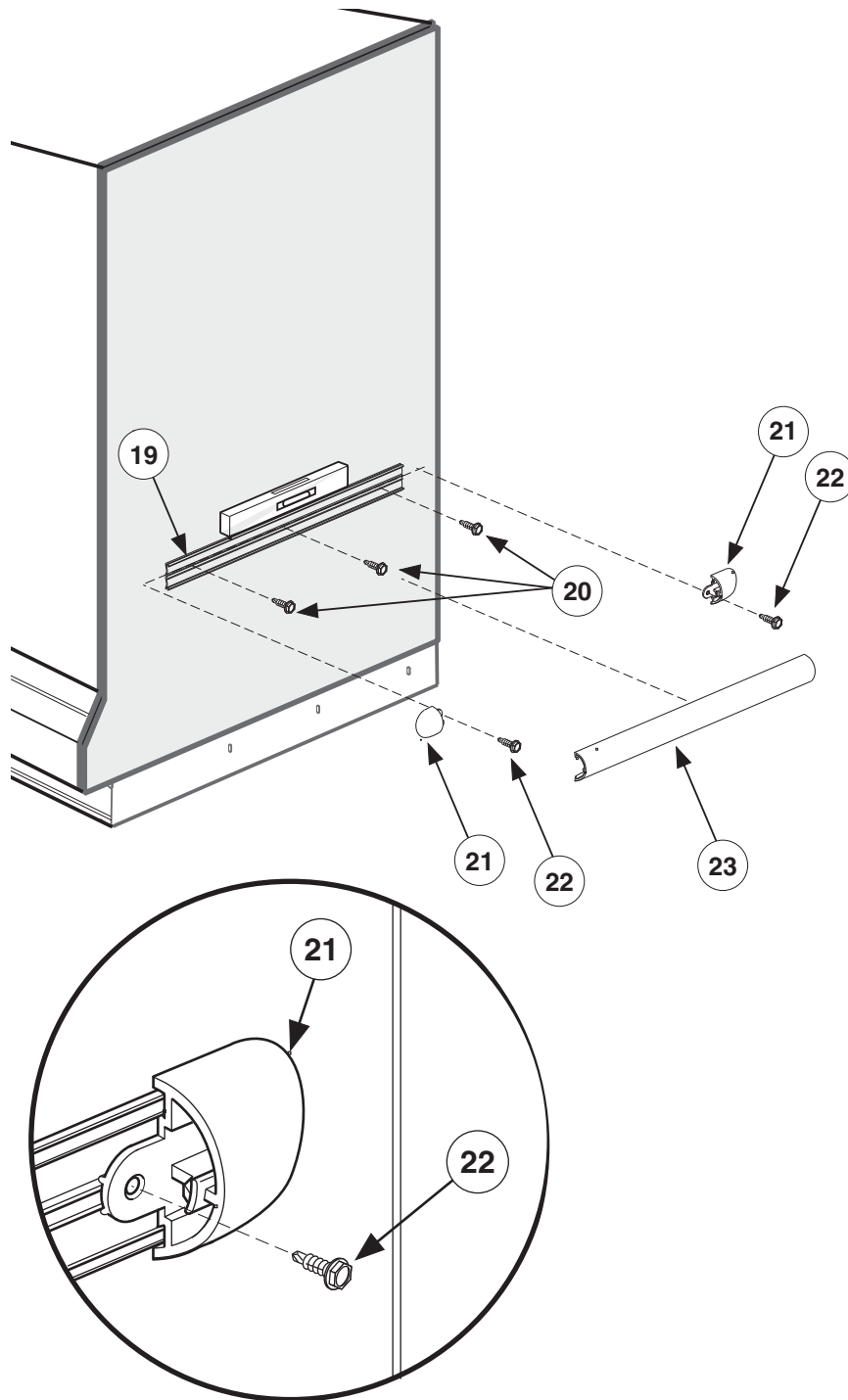


Figure 13. Install Optional End Bumper

Install

Optional End Bumper

- 1** Position **Bumper Retainer—19** against End Assembly as shown in **Figure 13** and check for level. Fasten using **Screw—21**. Refer to **Figure 14** to determine placement.
- 2** Place rear **Bumper End Cap—21** over Retainer and slide the End Cap forward until it stops. Fasten using **Screw—22**.
- 3** Slide **End Bumper—23** into Bumper Retainer and back against End Cap.
- 4** Place front **Bumper End Cap—21** over Retainer and under Bumper. Mark location of front of end cap. Remove end cap and slide the bumper off. Slide the front bumper end cap to mark and fasten with **Screw—22**.
- 5** Hook the **End Bumper—23** over the retainer and push down until it engages, front to back.

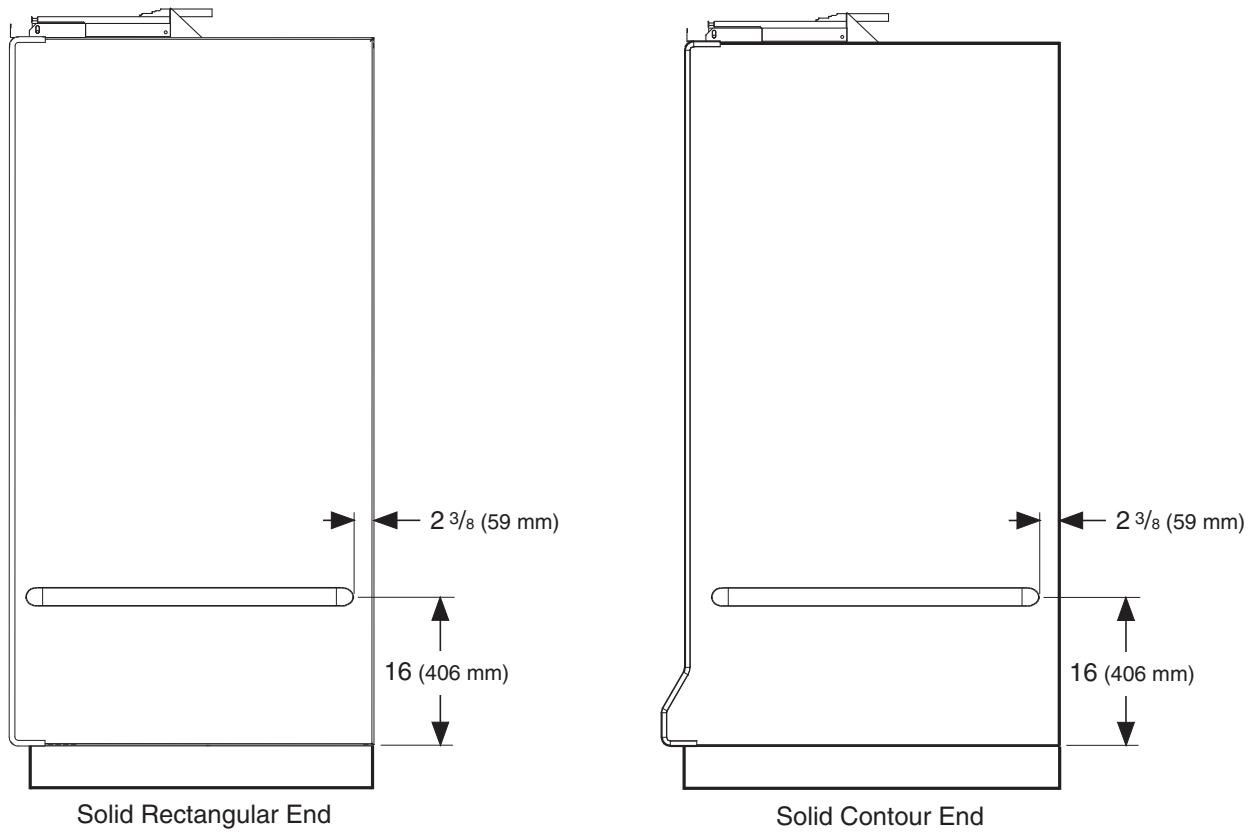


Figure 14. Location Optional End Bumper