

We reserve the right to change or revise specifications and product design in connection with any feature of our products. Such changes do not entitle the buyer to corresponding changes, improvements, additions or replacements for equipment previously sold or shipped.

Item	Part #	Description	Wiring Item #	Item	Part #	Description	Wiring Item #
<b>FAN ASSEMBLIES AND THERMOSTATS</b>				<b>HEATERS</b>			
<b>10 Ft</b>				<b>C. Anti-Sweat Heater</b> (3)			
A.	<b>12W Standard</b>	Fan Assembly	(1)	0487124	10 ft (HE.4851035)		
	0047000	Fan Motor, Evaporator (MO.4410103)		0487125	10 ft (HE.4851036)		
	0141070	Fan Blade (FB.0141070) embossing toward motor		<b>LAMPS AND BALLASTS</b>			
B.	Optional Adjustable Refrigeration Thermostat		(2)	<b>D. Ballast, Electronic</b> (4)			
	0448347	(CT.4481631)		0355398	3 Lamps (BA.4480118)		
				0355716	2 Lamps (BA.0355716)		
				0447739	(BA.4480900)		
				E.	Fluorescent Lamp		(5)
					<i>Replace with like fixtures</i>		

Note: Revision B updates electrical data on page 4 and updates anti-sweat electrical schematic on page 6.



# Engineering Plan Views

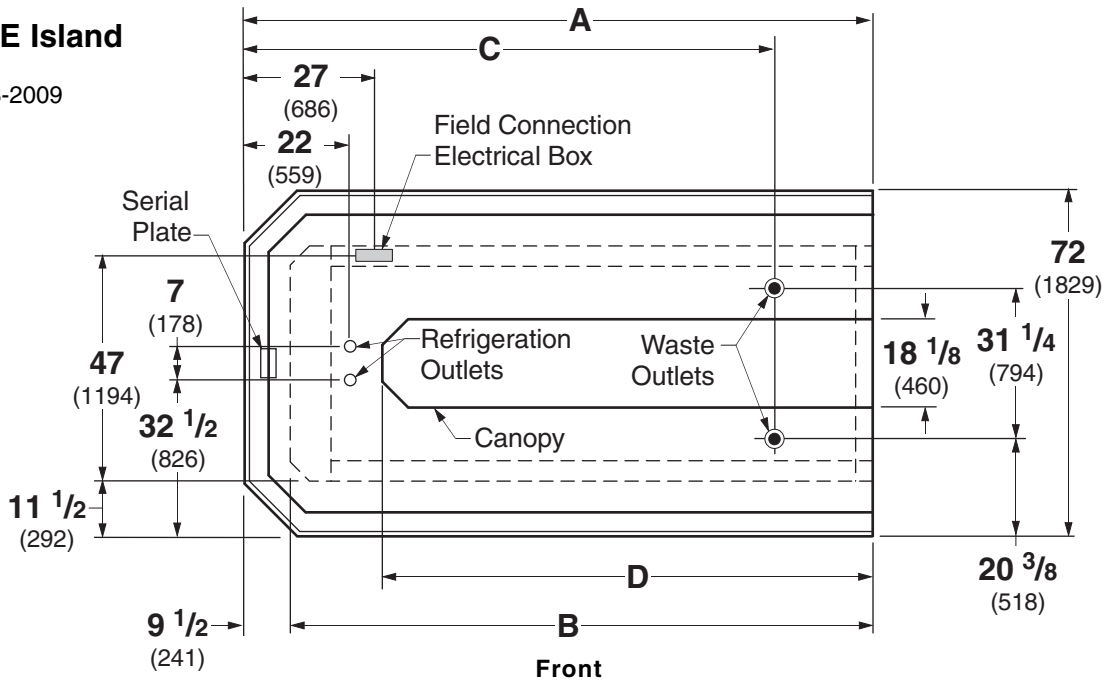
## PHYSICAL DATA

Merchandiser Drip Pipe (in.)	1 1/2
Merchandiser Liquid Line (in.)	3/8
Merchandiser Suction Line (in.)	5/8

Dimensions shown as inches and (mm).

### SI2E Island

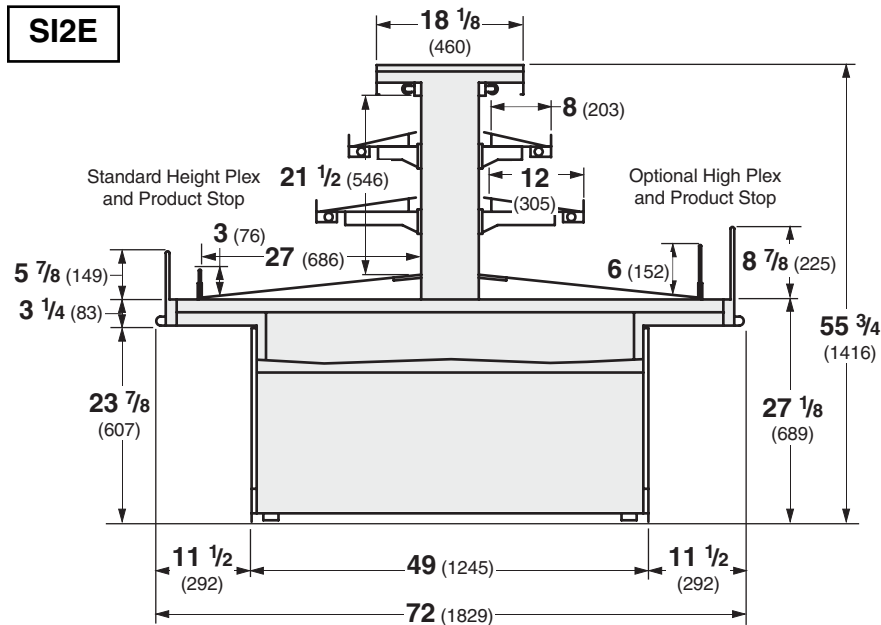
08-2009



		<b>10 ft</b>
<b>General</b>		
<b>(A)</b> Overall Case Length		120 (3048)
<b>(B)</b> Base Length		110 1/2 (2807)
Maximum O/S dimension of case back to front (includes bumper)		72 (1829)
Front of splashguard to O/S edge of front base rail		1 5/8 (41)
Front of case to O/S edge of front base rail		13 1/8 (333)
Back of case to O/S edge of front base rail		58 7/8 (1495)
Width of base rail		1 7/8 (48)
<b>(D)</b> Length of Canopy		93 1/8 (2365)
Width of Canopy		18 1/8 (460)
<b>Electrical Service</b> <span style="display: inline-block; width: 15px; height: 10px; background-color: #cccccc; border: 1px solid black;"></span> (Electrical Field Wiring connection point)		
Center of Electrical service to O/S edge of front base rail		47 (1194)
Left end of case to center of field connection box		27 (686)
Right end of case to center of field connection box		93 (2362)
<b>Waste Outlets</b> <span style="display: inline-block; width: 10px; height: 10px; border: 1px solid black; border-radius: 50%;"></span>		
<b>(C)</b> LH End of case to the center of waste outlet		96 (2438)
Center of front waste outlet to outside of front base rail		8 7/8 (225)
Center of back waste outlet to outside of front base rail		40 1/8 (1019)
Schedule 40 PVC drip pipe		1 1/2 (38)
<b>Refrigeration Outlet</b> <span style="display: inline-block; width: 10px; height: 10px; border: 1px solid black; border-radius: 50%;"></span>		
LH end of case to center of refrigeration outlet		22 (559)
RH end of case to center of refrigeration outlet		98 (2489)

**SIZE**  
Delicatessen

Dimensions shown as inches and (mm).



**REFRIGERATION DATA**

**Note:** This data is based on store temperature and humidity that does not exceed 75°F and 55% R.H.

	<b>SIZE</b>
<b>Discharge Air (°F)</b>	27
<b>Evaporator (°F)</b>	20
<b>Unit Sizing (°F)</b>	18

<i>Btu/hr/ft</i>	
<b>LIT &amp; UNLIT SHELVES</b>	<b>SIZE</b>
<b>Parallel</b>	1444
<b>Conventional</b>	1575

**DEFROST DATA**

	<b>SIZE</b>
<b>Frequency (hr)</b>	4
<b>Defrost Water (lb/ft/day)</b>	12

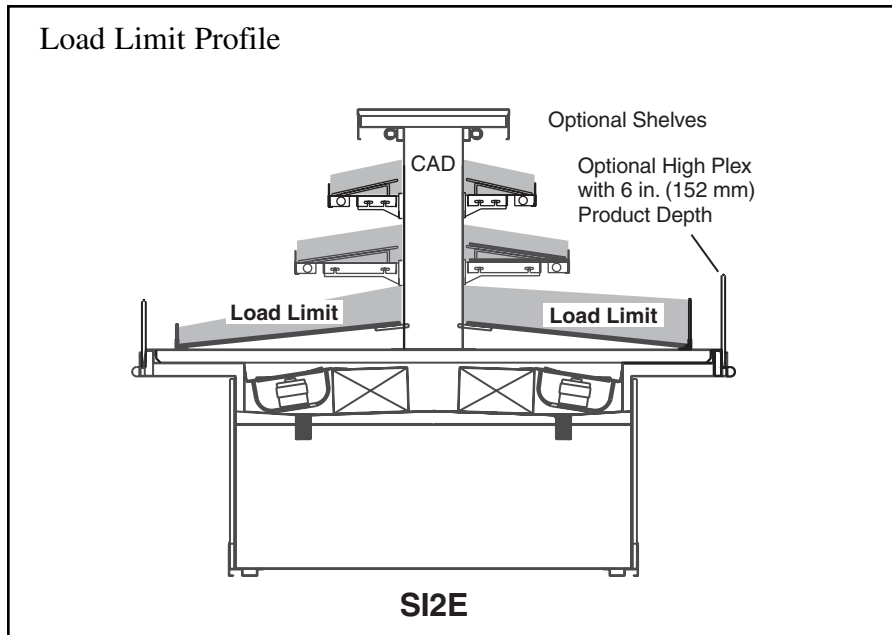
(± 15% based on case configuration and product loading).

**NSF Certification**

This merchandiser model is manufactured to meet ANSI/NSF (National Sanitation Foundation) Standard #7 requirements for construction, materials & cleanability.

<b>OFFTIME</b>	<b>SIZE</b>
<b>Time Terminated (minutes)</b>	20

**ELECTRIC OR GAS** Not Recommended



**CONVENTIONAL CONTROLS**

<b>Low Pressure Backup Control</b>	<b>SIZE</b>
<b>CI/CO*</b>	14°F / 4°F
<b>Indoor Unit Only, Pressure Defrost Termination*</b>	48°F

\*Use a Temperature Pressure Chart to determine PSIG conversions.

<b>Estimated Charge **</b>	<b>SIZE</b>
<b>10 ft</b>	2.10 lb 34 oz 1.0 kg

\*\*This is an average for all refrigerant types. Actual refrigerant charge may vary by approximately half a pound.

**Cases may not function properly if they are loaded above load limits.**

Air flow between the shelves, from the Center Air Discharge (CAD) to the return, must be maintained at all times for optimum operating efficiency and to prolong product shelf life. At no time should merchandisers be stocked beyond the load limits indicated.

# SI2E

Delicatessen

## Electrical Data

			10 ft	
Number of Fans – 12W			8	
			Amperes	Watts
			10 ft	10 ft
<b>Evaporator Fan</b>				
120V	60Hz	Standard	5.20	400
120V	50Hz	Standard	6.00	456
230V	60Hz	Export	NA	NA
230V	50Hz	Export	NA	NA
120V	60Hz	Energy Efficient	<u>NA</u>	<u>NA</u>
230V	60Hz	Energy Efficient	NA	NA
<b>Anti-sweat Heaters</b>				
120V	60Hz	Standard	0.70	84
230V	50Hz	Export	NA	NA
<b>Minimum Circuit Ampacity (MCA)</b>				
120V	60Hz	Standard	6.30	
120V	50Hz	Standard	6.57	
230V	60Hz	Export	NA	
230V	50Hz	Export	NA	
120V	60Hz	Energy Efficient	<u>NA</u>	
230V	60Hz	Energy Efficient	NA	
<b>Maximum Over Current Protection 120V</b>			<b>20</b>	
<b>Maximum Over Current Protection 230V</b>			<b>NA</b>	
<b>Standard Lighting</b>				
1 Row Canopy			0.95	114
<b>Optional Lighting</b>				
1 Row of Ledge			1.67	200
<b>Shelf Lighting</b>				
1 Row of Shelves			1.09	131
2 Rows of Shelves			2.18	262

115V Lighting Circuit Total = Standard Lighting + Total Optional Lighting + Optional Shelf Lighting

<b>SI2E</b> <b>Delicatessen</b>
------------------------------------

**Product Data**

**SI2E10**

<i>Recommended Usable Cube</i> <sup>1</sup> (Cu Ft/Case)	42.69 ft <sup>3</sup> /case (1.21 m <sup>3</sup> /case)
<i>AHRI Total Display Area</i> <sup>2</sup> (Sq Ft/Case)	50.13 ft <sup>2</sup> /case (4.66 m <sup>2</sup> /case)
<i>Shelf Area</i> <sup>3</sup> (Sq Ft/Case)	83.30 ft <sup>2</sup> /case (7.74 m <sup>2</sup> /case)

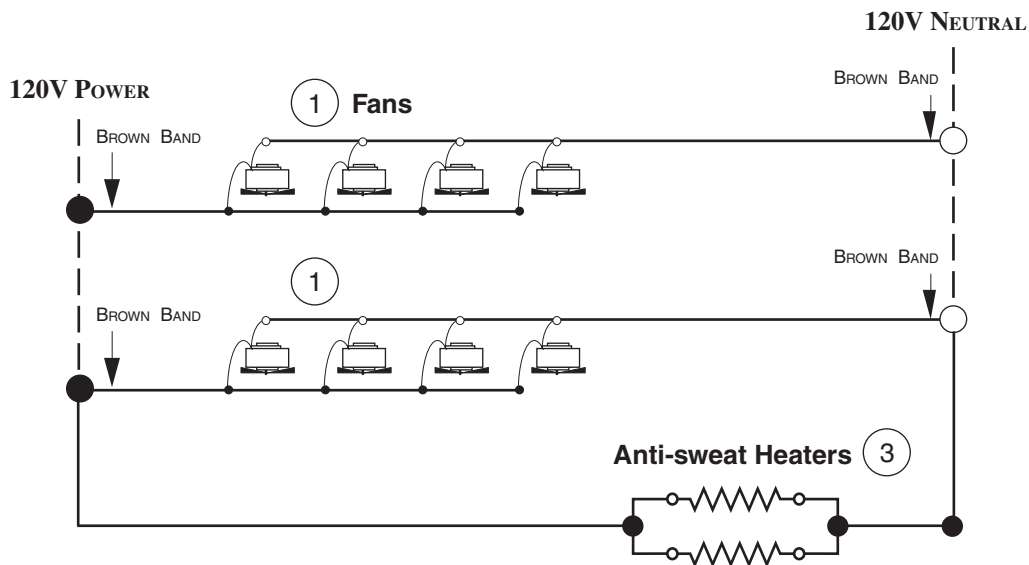
<sup>1</sup> AHRI Refrigerated Volume less shelving and other unusable space: Refrigerated Volume / Unit of Length, ft<sup>3</sup>/ft [m<sup>3</sup>/m]  
<sup>2</sup> Computed using AHRI 1200 standard methodology: Total Display Area, ft<sup>2</sup> [m<sup>2</sup>] / Unit of Length, ft [m]  
<sup>3</sup> Shelf surface area is composed of bottom deck plus standard shelf complement, as shown in the Hussmann *Product Reference Guide*. The standard shelf complement for this model is (1) row of 8-inch shelf, (1) row of 12-inch shelf.

<b>ESTIMATED SHIPPING WEIGHT <sup>4</sup></b>		
<b>Case</b>	<b>10 ft</b>	<b>End</b>
<b>lb (kg)</b>	1300 (590)	NA
<sup>4</sup> Actual weights will vary according to optional kits included.		

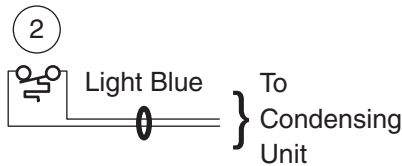
# Fan Wiring Offtime Defrost

## 8 Fans

10 ft — 8 Fans



## Refrigeration Thermostat



### WARNING

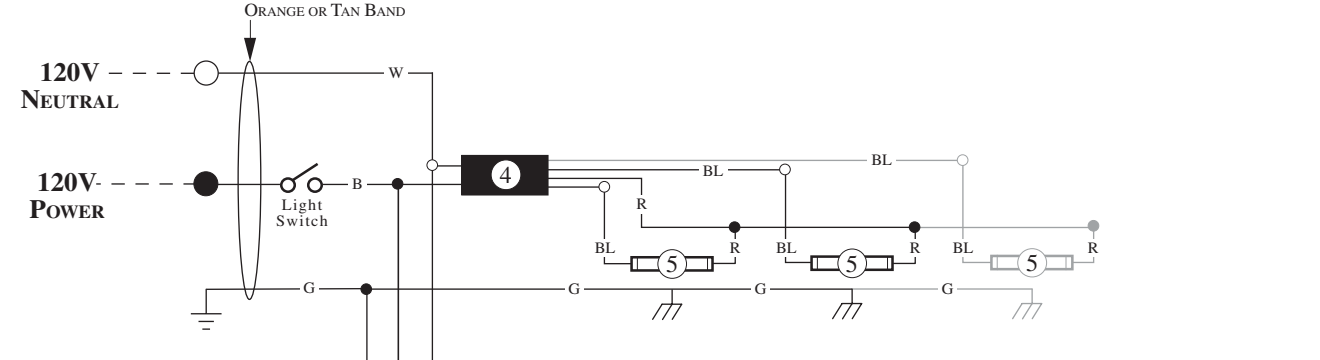
All components must have mechanical ground, and the merchandiser must be grounded.

CIRCLED NUMBERS = PARTS LIST ITEM NUMBERS

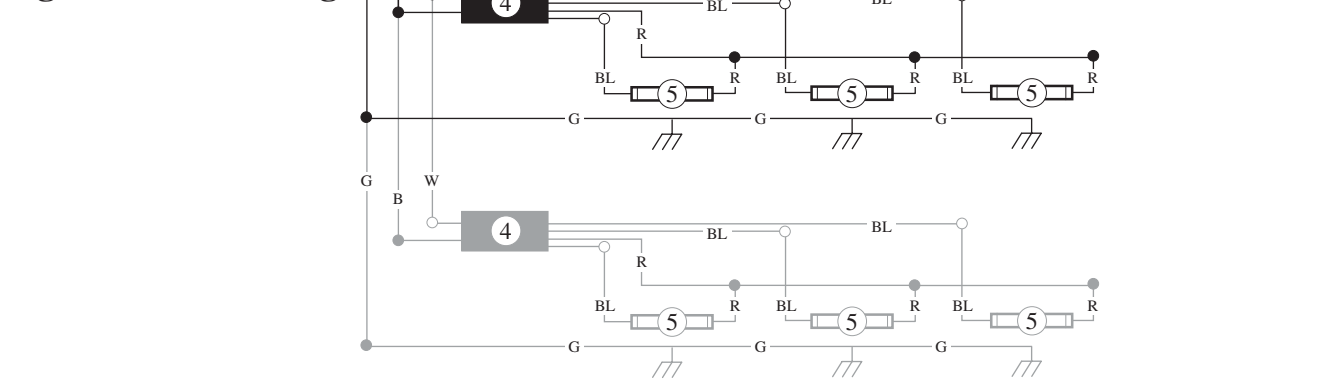
R = Red Y = Yellow G = Green BL = Blue B = Black W = White

● = 120V POWER    ○ = 120V NEUTRAL    ⊥ = FIELD GROUND    ≡ = CASE GROUND

**Standard Lighting — 1 Row Canopy**

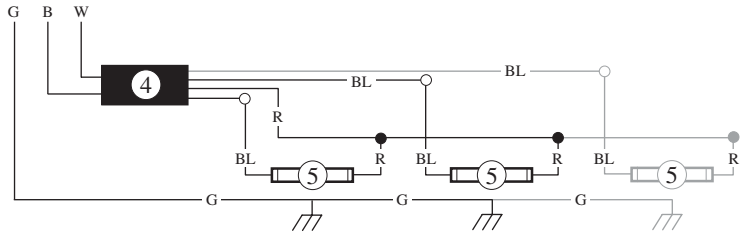


**Lighted Shelf Wiring**



**Typical Shelf Ballast Wiring**  
 Maximum lamps per ballast is three (3).  
 Different shelf configurations and different case lengths will have more shelf ballasts.

**Optional Ledge Light Circuit**



**WARNING**

All components must have mechanical ground, and the merchandiser must be grounded.

CIRCLED NUMBERS = PARTS LIST ITEM NUMBERS

R = Red Y = Yellow G = Green BL = Blue B = Black W = White

● = 120V POWER    ○ = 120V NEUTRAL    ⊥ = FIELD GROUND    ≡ = CASE GROUND