

We reserve the right to change or revise specifications and product design in connection with any feature of our products. Such changes do not entitle the buyer to corresponding changes, improvements, additions or replacements for equipment previously sold or shipped.

Item	Part #	Description	Wiring Item #	Item	Part #	Description	Wiring Item #
FAN ASSEMBLIES AND THERMOSTATS				HEATERS			
10 Ft				C.	Anti-Sweat Heater		(3)
A.	12W Standard	Fan Assembly	(1)	0487124	10 ft (HE.4851035)		
	0047000	Fan Motor, Evaporator (MO.4410103)		0487125	10 ft (HE.4851036)		
	0141070	Fan Blade (FB.0141070) embossing toward motor		LAMPS AND BALLASTS			
B.	Optional Adjustable Refrigeration Thermostat(2)			D.	Ballast, Electronic		(4)
	0448347	(CT.4481631)		0355398	3 Lamps (BA.4480118)		
				0355716	2 Lamps (BA.0355716)		
				0447739	(BA.4480900)		
				E.	Fluorescent Lamp		(5)
					<i>Replace with like fixtures</i>		

Note: Rev. C adds DOE 2012 compliance. Other changes marked by bar, underline or circle.



Engineering Plan Views

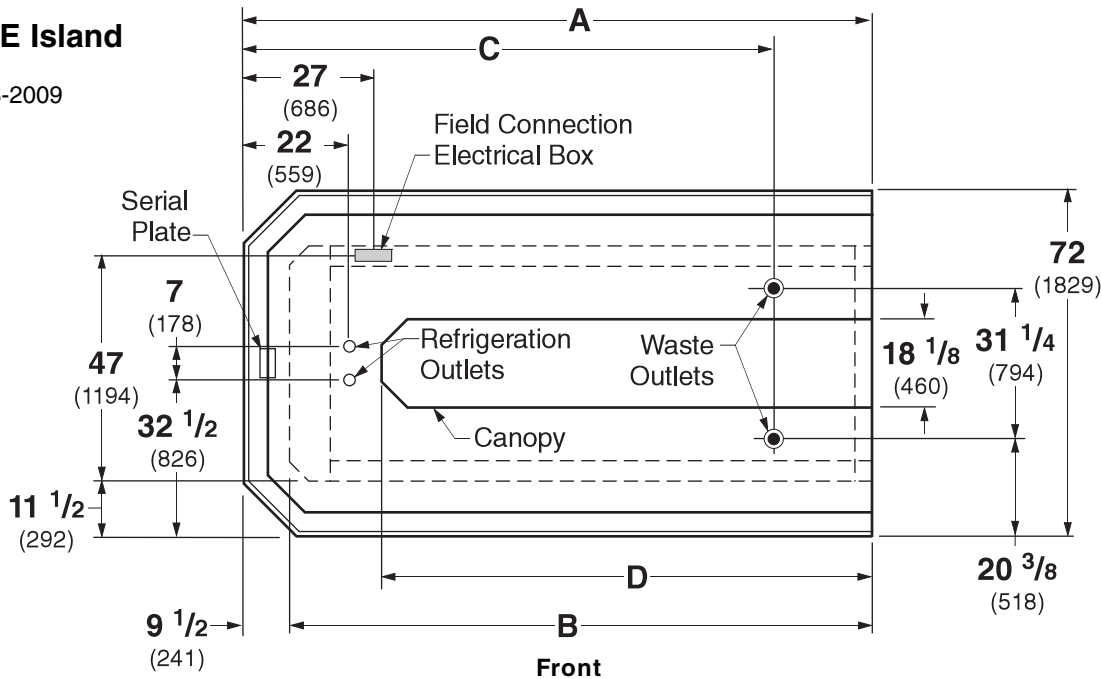
PHYSICAL DATA

Merchandiser Drip Pipe (in.)	1 1/2
Merchandiser Liquid Line (in.)	3/8
Merchandiser Suction Line (in.)	5/8

Dimensions shown as inches and (mm).

SI2E Island

08-2009



		10 ft
General		
(A) Overall Case Length		120 (3048)
(B) Base Length		110 1/2 (2807)
Maximum O/S dimension of case back to front (includes bumper)		72 (1829)
Front of splashguard to O/S edge of front base rail		1 5/8 (41)
Front of case to O/S edge of front base rail		13 1/8 (333)
Back of case to O/S edge of front base rail		58 7/8 (1495)
Width of base rail		1 7/8 (48)
(D) Length of Canopy		93 1/8 (2365)
Width of Canopy		18 1/8 (460)
Electrical Service (Electrical Field Wiring connection point)		
Center of Electrical service to O/S edge of front base rail		47 (1194)
Left end of case to center of field connection box		27 (686)
Right end of case to center of field connection box		93 (2362)
Waste Outlets 		
(C) LH End of case to the center of waste outlet		96 (2438)
Center of front waste outlet to outside of front base rail		8 7/8 (225)
Center of back waste outlet to outside of front base rail		40 1/8 (1019)
Schedule 40 PVC drip pipe		1 1/2 (38)
Refrigeration Outlet 		
LH end of case to center of refrigeration outlet		22 (559)
RH end of case to center of refrigeration outlet		98 (2489)

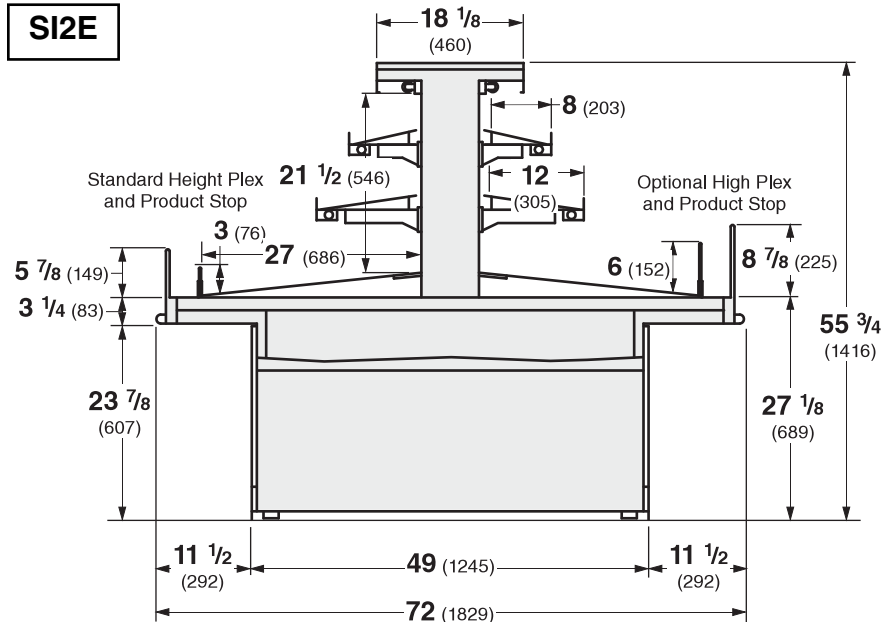
Multi-deck Island, 3 Display Levels



Husmann refrigerated merchandisers configured for sale for use in the United States meet or surpass the requirements of the DOE 2012 energy efficiency standards.

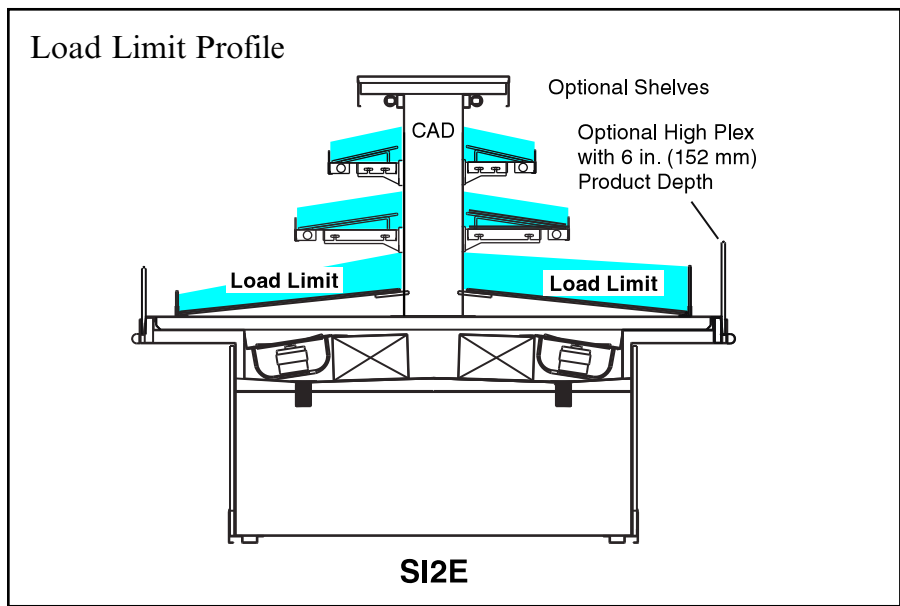


Dimensions shown as inches and (mm).



NSF Certification

This merchandiser model is manufactured to meet NSF/ANSI (National Sanitation Foundation) Standard #7 requirements for construction, materials & cleanability.



Cases may not function properly if they are loaded above load limits.

Air flow between the shelves, from the Center Air Discharge (CAD) to the return, must be maintained at all times for optimum operating efficiency and to prolong product shelf life. At no time should merchandisers be stocked beyond the load limits indicated.

REFRIGERATION DATA

Note: This data is based on store temperature and humidity that does not exceed 75°F and 55% R.H.

	S12E
Discharge Air (°F)	27
Evaporator (°F)	20
Unit Sizing (°F)	18

Btu/hr/ft

LIT & UNLIT SHELVES	S12E
Parallel	1444
Conventional	1575

DEFROST DATA

	S12E
Frequency (hr)	4
Defrost Water (lb/ft/day)	12

(± 15% based on case configuration and product loading).

OFFTIME	S12E
Time Terminated (minutes)	20

ELECTRIC OR GAS Not Recommended

CONVENTIONAL CONTROLS

Low Pressure Backup Control	S12E
CI/CO*	14°F / 4°F
Indoor Unit Only, Pressure Defrost Termination*	48°F

*Use a Temperature Pressure Chart to determine PSIG conversions.

Estimated Charge **	S12E
10 ft	2.10 lb 34 oz 1.0 kg

**This is an average for all refrigerant types. Actual refrigerant charge may vary by approximately half a pound (8 oz/0.2 kg).

SI2E

Delicatessen

Electrical Data

			10 ft	
Number of Fans – 12W			8	
			Amperes	Watts
			10 ft	10 ft
Evaporator Fan				
120V	60Hz	Standard	5.20	400
120V	50Hz	Standard	6.00	456
230V	60Hz	Export	NA	NA
230V	50Hz	Export	NA	NA
120V	60Hz	Energy Efficient	NA	NA
230V	60Hz	Energy Efficient	NA	NA
Anti-sweat Heaters				
120V	60Hz	Standard	0.70	84
230V	50Hz	Export	NA	NA
Minimum Circuit Ampacity (MCA)				
120V	60Hz	Standard	6.30	
120V	50Hz	Standard	6.57	
230V	60Hz	Export	NA	
230V	50Hz	Export	NA	
120V	60Hz	Energy Efficient	NA	
230V	60Hz	Energy Efficient	NA	
Maximum Over Current Protection 120V			20	
Maximum Over Current Protection 230V			NA	

ONLY LIGHTING CONFIGURATIONS THAT ARE COMPLIANT WITH THE U.S. DEPT. OF ENERGY (DOE) 2012 REGULATION ARE AVAILABLE FOR SALE FOR USE IN THE U.S.A.

Standard Lighting

1 Row Canopy	0.95	114
--------------	------	-----

Optional Lighting

1 Row of Ledge	1.67	200
----------------	------	-----

Shelf Lighting

1 Row of Shelves		1.09	131
2 Rows of Shelves	2.18	262	

115V Lighting Circuit Total = Standard Lighting + Total Optional Lighting + Optional Shelf Lighting

SI2E Delicatessen

Product Data

SI2E10

<i>Recommended Usable Cube</i> ¹ (Cu Ft/Case)	42.69 ft ³ /case (1.21 m ³ /case)
<i>AHRI Total Display Area</i> ² (Sq Ft/Case)	59.48 ft ² /case (5.53 m ² /case)
<i>Shelf Area</i> ³ (Sq Ft/Case)	83.30 ft ² /case (7.74 m ² /case)

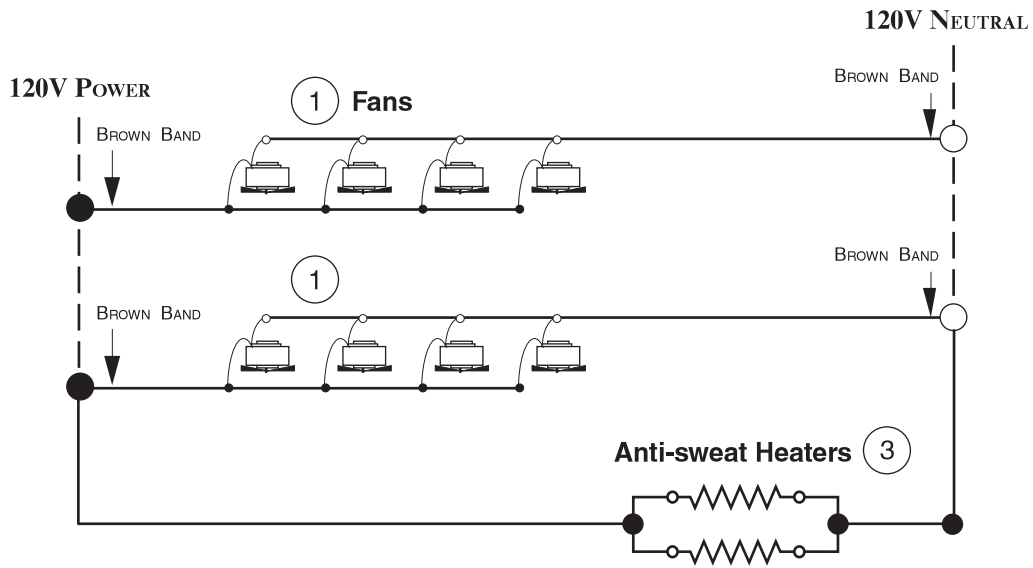
- ¹ AHRI Refrigerated Volume less shelving and other unusable space: Refrigerated Volume / Unit of Length, ft³/ft [m³/m]
- ² Computed using AHRI 1200 standard methodology: Total Display Area, ft² [m²] / Unit of Length, ft [m]
- ³ Shelf surface area is composed of bottom deck plus standard shelf complement, as shown in the Hussmann *Product Reference Guide*. The standard shelf complement for this model is (1) row of 8-inch shelf, (1) row of 12-inch shelf.

ESTIMATED SHIPPING WEIGHT ⁴		
Case	10 ft	End
lb (kg)	1300 (590)	NA
⁴ Actual weights will vary according to optional kits included.		

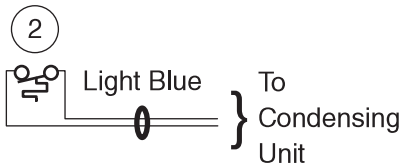
Fan Wiring Offtime Defrost

8 Fans

10 ft — 8 Fans



Refrigeration Thermostat



WARNING

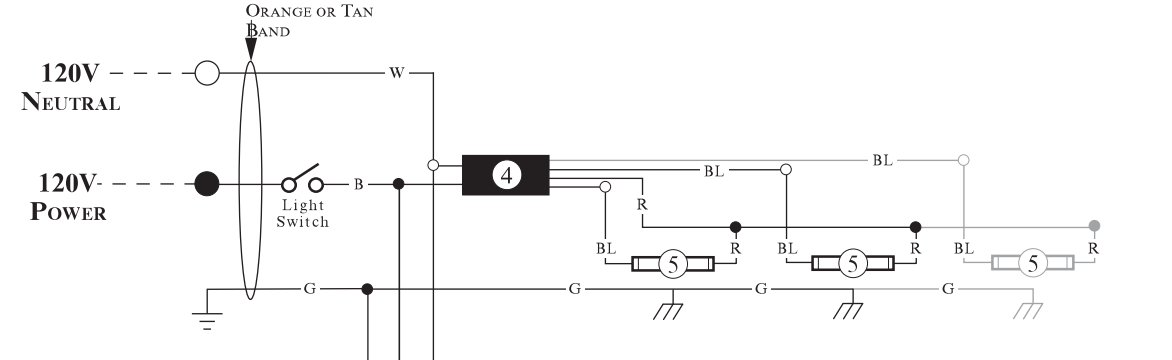
All components must have mechanical ground, and the merchandiser must be grounded.

CIRCLED NUMBERS = PARTS LIST ITEM NUMBERS

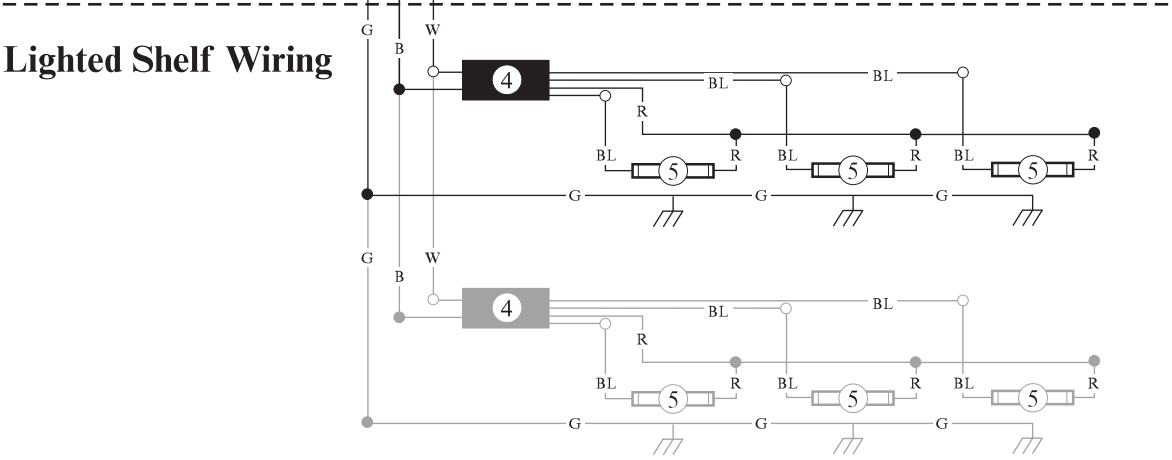
R = Red Y = Yellow G = Green BL = Blue B = Black W = White

● = 120V POWER ○ = 120V NEUTRAL ⊥ = FIELD GROUND ≡ = CASE GROUND

Standard Lighting — 1 Row Canopy

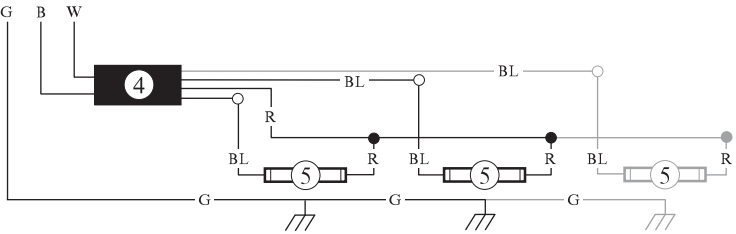


Lighted Shelf Wiring



Typical Shelf Ballast Wiring
 Maximum lamps per ballast is three (3).
 Different shelf configurations and different case lengths will have more shelf ballasts.

Optional Ledge Light Circuit



WARNING

All components must have mechanical ground, and the merchandiser must be grounded.

CIRCLED NUMBERS = PARTS LIST ITEM NUMBERS

R = Red Y = Yellow G = Green BL = Blue B = Black W = White

● = 120V POWER ○ = 120V NEUTRAL ⊥ = FIELD GROUND ≡ = CASE GROUND