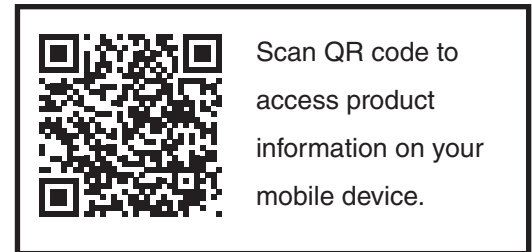


DOE 2017
Energy Efficiency
Compliant



We reserve the right to change or revise specifications and product design in connection with any feature of our products. Such changes do not entitle the buyer to corresponding changes, improvements, additions or replacements for equipment previously sold or shipped.

IMPORTANT
**ONE FLOOR DRAIN IS
REQUIRED FOR EACH CASE.**

Item	Part #	Description	Wiring Item #	Item	Part #	Description	Wiring Item #
FAN ASSEMBLIES				LAMPS AND BALLASTS			
4 Ft, 8 Ft & 12 Ft (1)				C.	Ballast, Electronic		(3)
A.	<u>12W Standard Energy Efficient Fan Assembly</u>				0480130	2 lamps	
	<u>0477655</u>	Fan Motor, Evaporator			0480131	3 lamps	
	<u>0461805</u>	Fan Blade			0480132	4 lamps	
6 Ft Only				D.	Fluorescent Lamp		(4)
A.	<u>4W Standard Energy Efficient Fan Assembly</u>		(1)			<i>Replace with like fixtures</i>	
	<u>0477653</u>	Fan Motor, Evaporator		LED FIXTURES AND POWER SUPPLY			
	<u>0382383</u>	Fan Blade		E.	0501213	Power Supply	(5)
THERMOSTATS				F.		LED Canopy Fixture	(6)
B.	Optional Adjustable Refrigeration Thermostat		(2)			<i>Replace with like fixtures</i>	
				G.		LED Mullion Fixture	(7)
						<i>Replace with like fixtures</i>	

Data sheet-Excel-DD6X-ULP

Note: Revision K: Updated lighting energy values. Other changes marked with a bar, circle or underline.

Engineering Plan Views

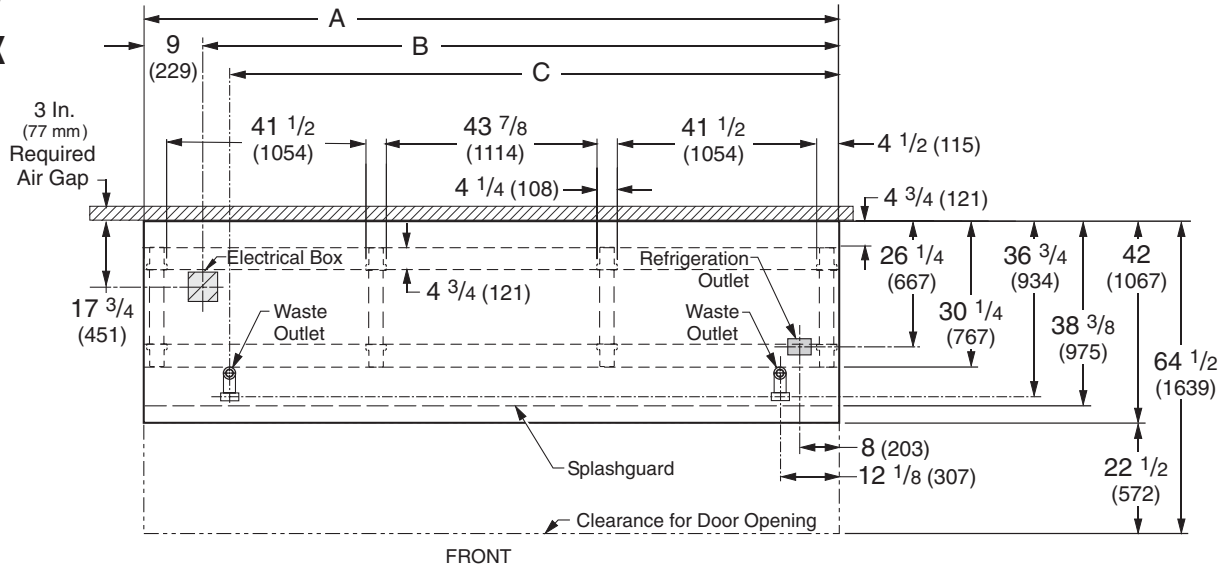
PHYSICAL DATA	
Merchandiser Drip Pipe (in.)	1 1/4
Merchandiser Liquid Line (in.)	3/8
Merchandiser Suction Line (in.)	7/8

Ultra Low Front Dairy & Delicatessen

Dimensions shown as in. and (mm).

07-2009

DD6X



Note: ALL FIELD WIRING CONNECTION POINTS ARE ABOVE THE CASE.
Case to case connections are made in the electrical box at the top of the case.

	4 ft	6 ft	8 ft	12 ft
General				
(A) Case Length (without ends or partitions) (Each end and insulated partition adds 1 1/2 in. (38 mm) to case line up.)	48 3/8 (1229)	72 3/8 (1838)	96 3/8 (2448)	144 1/2 (3670)
Maximum O/S dimension of case back to front (includes bumper)	42 (1064)	42 (1064)	42 (1064)	42 (1064)
Back of case to front of splashguard	38 3/8 (975)	38 3/8 (975)	38 3/8 (975)	38 3/8 (975)
Back of case to O/S edge of front rails	30 1/4 (767)	30 1/4 (767)	30 1/4 (767)	30 1/4 (767)
Distance between edges of external rails and center rails	NA	29 1/2 (750)	41 1/2 (1054)	41 1/2 (1054)
Distance between edges of center rails	NA	NA	NA	43 7/8 (1114)
Distance between front rails and splashguard	8 (203)	8 (203)	8 (203)	8 (203)
Electrical Service <input checked="" type="checkbox"/> (Electrical Field Wiring connection point located on top of case)				
(B) RH End of case to center of 4 x 4 x 2 Electrical Box	39 3/8 (1000)	63 3/8 (1610)	87 3/8 (2219)	135 1/2 (3442)
Back of case to center of 4 x 4 x 2 Electrical Box	17 3/4 (451)	17 3/4 (451)	17 3/4 (451)	17 3/4 (451)
Waste Outlets (One each end) <input checked="" type="checkbox"/>				
(C) RH End of case to the center of LH waste outlet	36 1/4 (921)	60 1/4 (1530)	84 1/4 (2141)	132 3/8 (3363)
RH End of case to the center of RH waste outlet	12 1/8 (307)	12 1/8 (307)	12 1/8 (307)	12 1/8 (307)
Back O/S of case to center of waste outlets	36 3/4 (933)	36 3/4 (933)	36 3/4 (933)	36 3/4 (933)
Schedule 40 PVC drip pipe	1 1/4 (32)	1 1/4 (32)	1 1/4 (32)	1 1/4 (32)
Refrigeration Outlet <input checked="" type="checkbox"/>				
Back of case to center of refrigeration outlet	26 1/4 (665)	26 1/4 (665)	26 1/4 (665)	26 1/4 (665)
RH end of case to center of refrigeration outlet	8 (203)	8 (203)	8 (203)	8 (203)

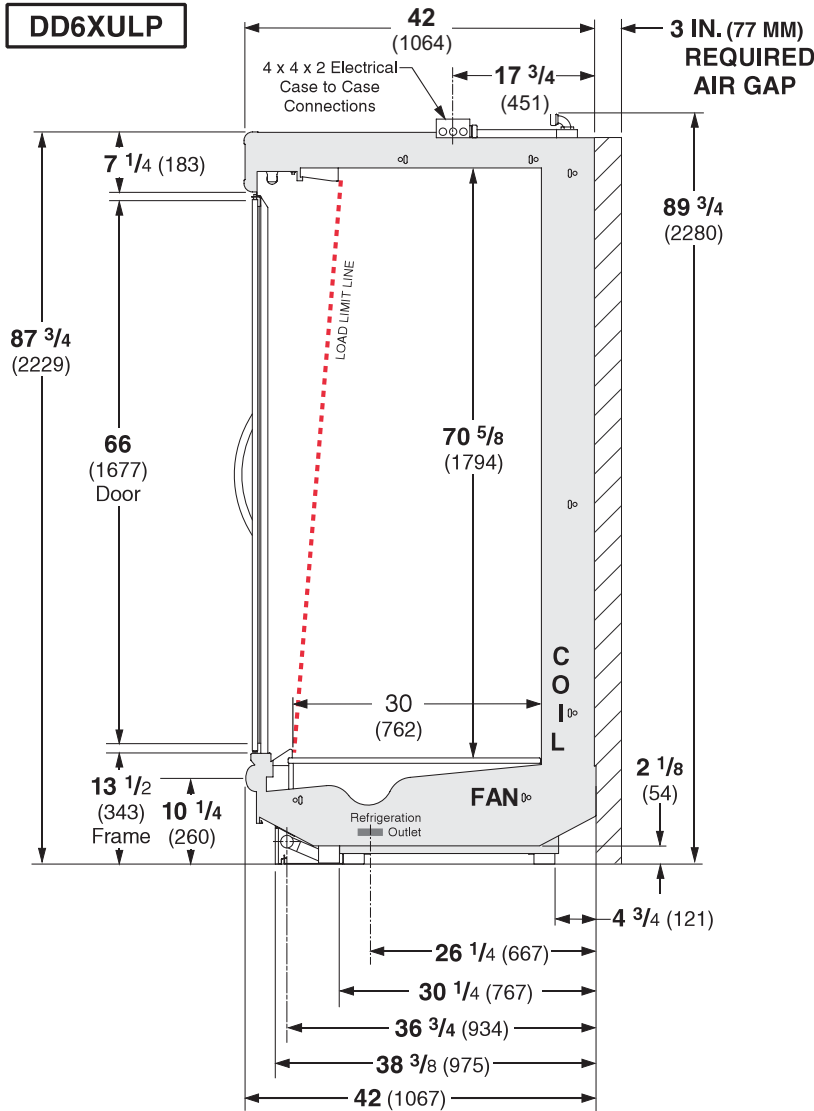
Multi-deck with Doors, 6 Display Levels, Ultra Low Front



Hussmann refrigerated merchandisers configured for sale for use in the United States meet or surpass the requirements of the DOE 2017 energy efficiency standards.



Dimensions shown as in. and (mm).



ALL FIELD WIRING CONNECTION POINTS ARE ABOVE THE CASE.

Estimated Charge****	DD6X-ULP	
4 ft	1.9 lb	30 oz 0.9 kg
6 ft	2.8 lb	45 oz 1.3 kg
8 ft	3.7 lb	59 oz 1.7 kg
12 ft	5.1 lb	82 oz 2.3 kg

****This is an average for all refrigerant types. Actual refrigerant charge may vary by approximately half a pound (8 oz/0.2 kg).

NSF Certification

This merchandiser model is manufactured to meet NSF/ANSI (National Sanitation Foundation) Standard #7 requirements for construction, materials & cleanability.

REFRIGERATION DATA

Note: This data is based on store temperature and humidity that does not exceed 75°F and 55% R.H.

DD6X-ULP§	DAIRY DELI		
	UNLIT	LIT*	PEG**
Discharge Air °F	39	37	37
Evaporator °F	34	32	32
Unit Sizing °F	32	30	30
DD6X-ULP§	FRESH MEAT		
	UNLIT	LIT‡	
Discharge Air °F	35	33	
Evaporator °F	30	28	
Unit Sizing °F	28	26	

* Lit data is for canopy and mullion lighting. Hussmann recommends against using lit shelves with EcoVision Doors.
 ** Hussmann Peg Shelves (Deli only)
 § Average evaporator temperature shown. Use dew point for high glide refrigerants for unit sizing. Care should be taken to use the dew point in PT tables for measuring and adjusting superheat. Adjust evaporator pressure as needed to maintain discharge air temperature shown.

Btu/hr/ft ‡	UNLIT		UNLIT
DD6X-ULP	UNLIT	PEG*	MEAT
PARALLEL	325	364	374
CONVENTIONAL	335	375	385

‡ Add 10 Btu/hr/ft for lit.

DEFROST DATA

Frequency Hr _____ 24
 Defrost Water (lb/ft/day) _____ 1.0
 (± 15% based on case configuration and product loading).

OFFTIME	DD6X-ULP
Time (minutes)	50
ELECTRIC OR GAS	Not Recommended

CONVENTIONAL CONTROLS

Low Pressure Backup Control	DD6X-ULP
CI/CO***	35°F / 25°F

Indoor Unit Only, Pressure Defrost Termination*** 40°F

***Use a Temperature Pressure Chart to determine PSIG conversions.

Excel DD6X-ULP

Dairy & Delicatessen

Electrical Data

	4 ft	6 ft	8 ft	12 ft				
Number of Fans — 12W	1	—	2	3				
Number of Fans — 4W	—	4	—	—				
	Amperes				Watts			
	4 ft	6 ft	8 ft	12 ft	4 ft	6 ft	8 ft	12 ft
Evaporator Fan								
120V 50/60Hz Standard Energy Efficient	0.30	0.48	0.60	0.90	18	32	36	54
230V 50/60Hz Standard Energy Efficient	0.15	0.24	0.30	0.45	18	32	36	54
230V 60Hz Export	0.33	0.60	0.66	0.99	50	96	100	150
230V 50Hz Export	0.38	0.72	0.76	1.14	57	108	114	171
Minimum Circuit Ampacity								
120V 50/60Hz Standard Energy Efficient	0.50	0.68	0.80	1.10				
230V 50/60Hz Standard Energy Efficient	0.35	0.44	0.50	0.65				
230V 60Hz Export	0.53	0.80	0.86	1.19				
230V 50Hz Export	0.58	0.92	0.96	1.34				
Maximum Over Current Protection 120V	20	20	20	20				
Maximum Over Current Protection 230V	15	15	15	15				
Standard Lighting (T-8 fluorescent)								
1 Row Canopy	0.26	0.51	0.51	0.77	30	59	59	85
ONLY LIGHTING CONFIGURATIONS THAT ARE COMPLIANT WITH THE U.S. DEPT. OF ENERGY (DOE) 2017 REGULATION ARE AVAILABLE FOR SALE FOR USE IN THE U.S.A.								
Optional Lighting (T-8 fluorescent)								
2 Row Canopy	0.51	1.02	1.02	1.54	59	118	118	170
Shelf								
None								
Optional EcoShine II (LED)								
Canopy								
EcoShine II	0.16	0.26	0.32	0.48	19.3	31.6	38.6	58.0
EcoShine II HO	0.22	0.33	0.44	0.66	26.5	39.5	53.0	79.4
Shelf								
None								
Mullion								
EcoShine II 60-in.	0.28	0.51	0.51	0.74	34.1	61.4	61.4	88.6

120V Lighting Circuit Total = Standard Lighting + Total Optional Lighting + Optional Mullion Lighting

120V EcoShine LED Lighting Circuit Total = Total Canopy Lighting + Optional Mullion Lighting

230V Lighting Circuit Total = Multiply 120V Lighting Circuit Total by 0.52

Please note: some combinations of fluorescent lights on this case model may not be compliant with DOE 2017 and may not be available to order in the US and Canada. More lighting options are available with LED lights. The Hussmann Product Configurator will not allow lighting options that do not comply with the DOE 2017 standards.

Product Data

<i>Recommended Usable Cube</i> ¹ (Cu Ft/Ft)	10.96 ft ³ /ft (1.02 m ³ /m)
<i>AHRI Total Display Area</i> ² (Sq Ft/Ft)	5.50 ft ² /ft (1.68 m ² /m)
<i>Shelf Area</i> ³ (Sq Ft/Ft)	9.87 ft ² /ft (3.01 m ² /m)

- ¹ AHRI Refrigerated Volume less shelving and other unusable space: Refrigerated Volume/Unit of Length, ft³/ft [m³/m]
² Computed using AHRI 1200 standard methodology: Total Display Area, ft² [m²]/Unit of Length, ft [m]
³ Shelf surface area is composed of bottom deck plus standard shelf complement, as shown in the Hussmann *Product Reference Guide*. The standard shelf complement for this model is (5) rows of 22-inch shelves.

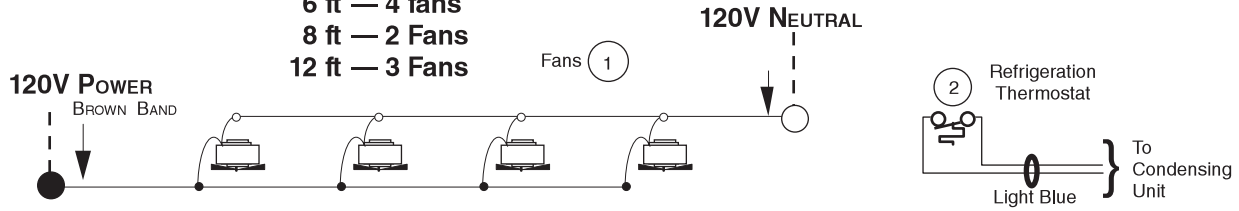
ESTIMATED SHIPPING WEIGHT ⁴					
Case	<i>4 ft</i>	<i>6 ft</i>	<i>8 ft</i>	<i>12 ft</i>	Solid End
					<i>(each)</i>
lb (kg)	880 (399)	1100 (499)	1360 (617)	1840 (835)	100 (45)

⁴ Actual weights will vary according to optional kits included.

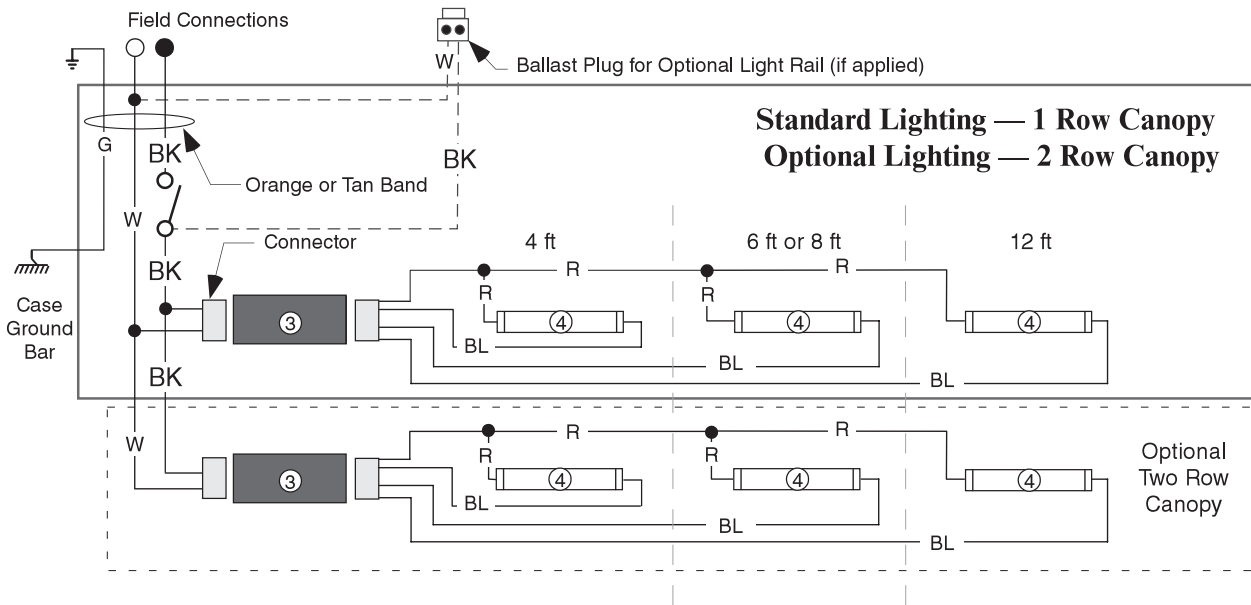
Fan Wiring Offtime Defrost

1, 2, 3 & 4 Fans

4 ft — 1 Fan
6 ft — 4 fans
8 ft — 2 Fans
12 ft — 3 Fans



Fluorescent Canopy Light Circuits



WARNING

All components must have mechanical ground, and the merchandiser must be grounded.

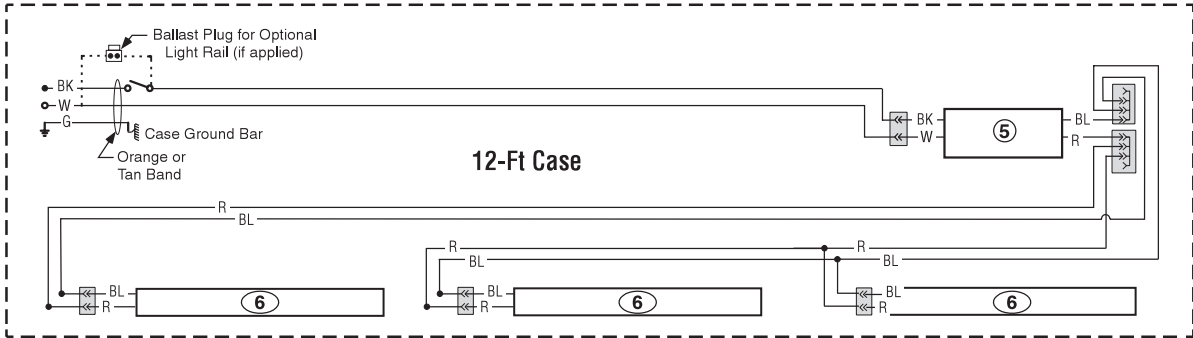
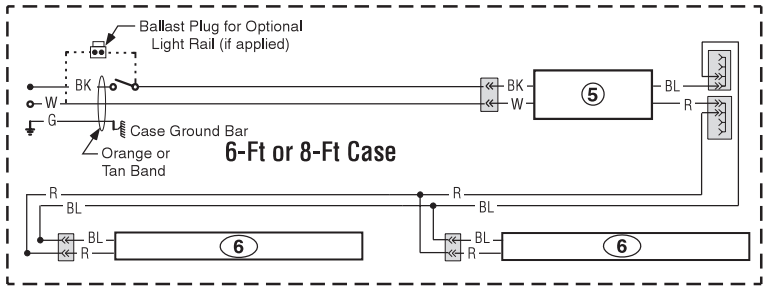
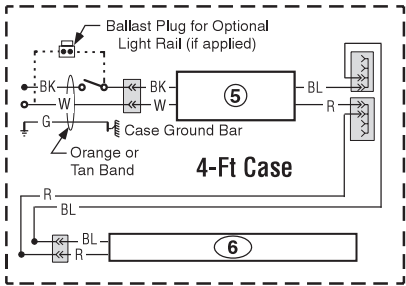
CIRCLED NUMBERS = PARTS LIST ITEM NUMBERS

R = Red Y = Yellow G = Green BL = Blue BK = Black W = White

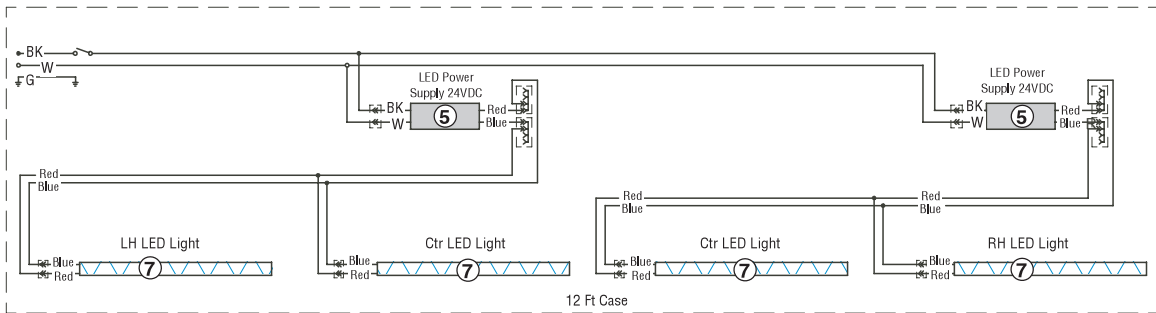
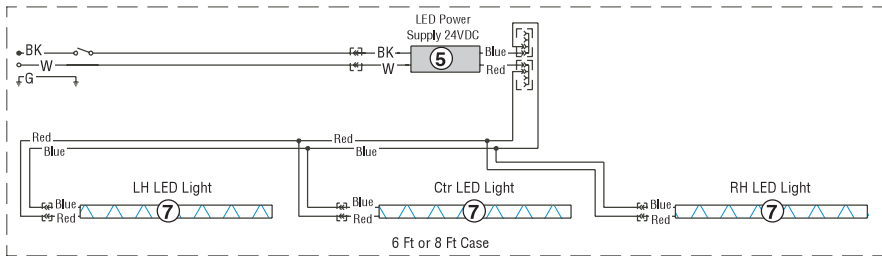
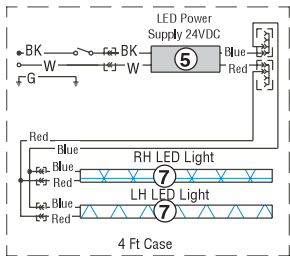
● = 120V POWER ○ = 120V NEUTRAL ⊥ = FIELD GROUND ≡ = CASE GROUND

Optional Canopy Lighting — LED Fixtures

EcoShine II LED Canopy Lighting — 1 Row



Optional Mullion Lighting LED Fixtures



WARNING

All components must have mechanical ground, and the merchandiser must be grounded.

CIRCLED NUMBERS = PARTS LIST ITEM NUMBERS

R = Red Y = Yellow G = Green BL = Blue BK = Black W = White

● = 120V POWER ○ = 120V NEUTRAL ⊥ = FIELD GROUND $\overline{\overline{\overline{\quad}}}$ = CASE GROUND