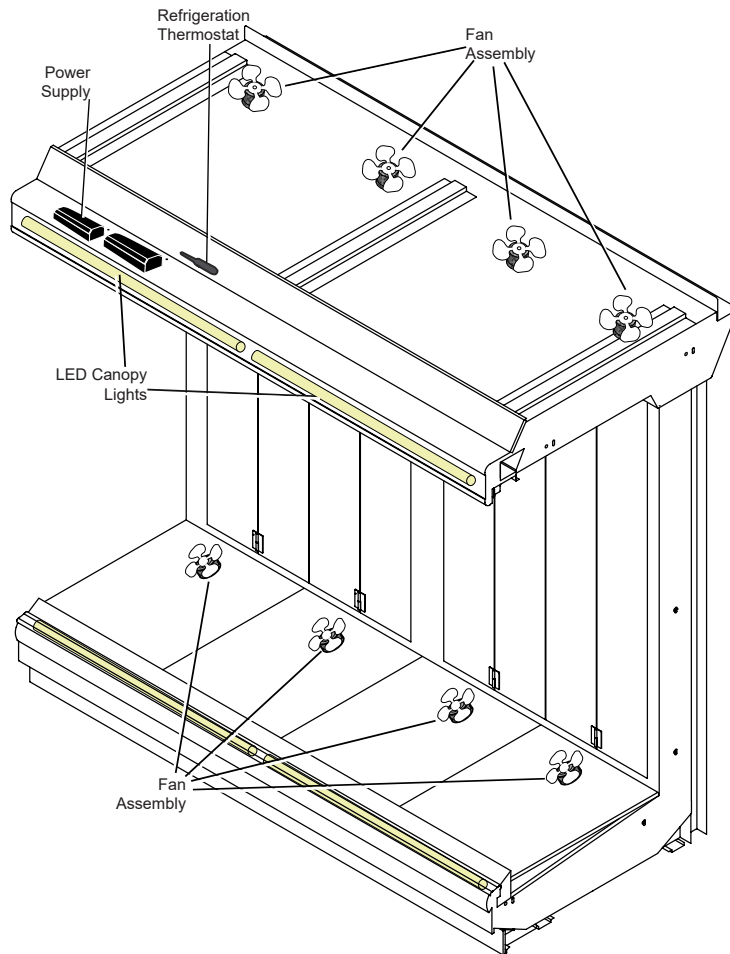


DOE 2017
Energy Efficiency
Compliant



IMPORTANT
**ONE FLOOR DRAIN IS
REQUIRED FOR EACH CASE.**

NSF Certification

This merchandiser model is manufactured to meet NSF/ANSI (National Sanitation Foundation) Standard #7 requirements for construction, materials and cleanability.



Scan the QR code on your mobile device to access additional product information or order parts.

Parts may also be ordered at:

parts.hussmann.com

Call toll free: 1.855.487.7778

We reserve the right to change or revise specifications and product design in connection with any feature of our products. Such changes do not entitle the buyer to corresponding changes, improvements, additions or replacements for equipment previously sold or shipped.

Note: Revision L: July 2019. Updated Lighting and CaseShieldPTM.

Data sheet-Excel D5X-URLE

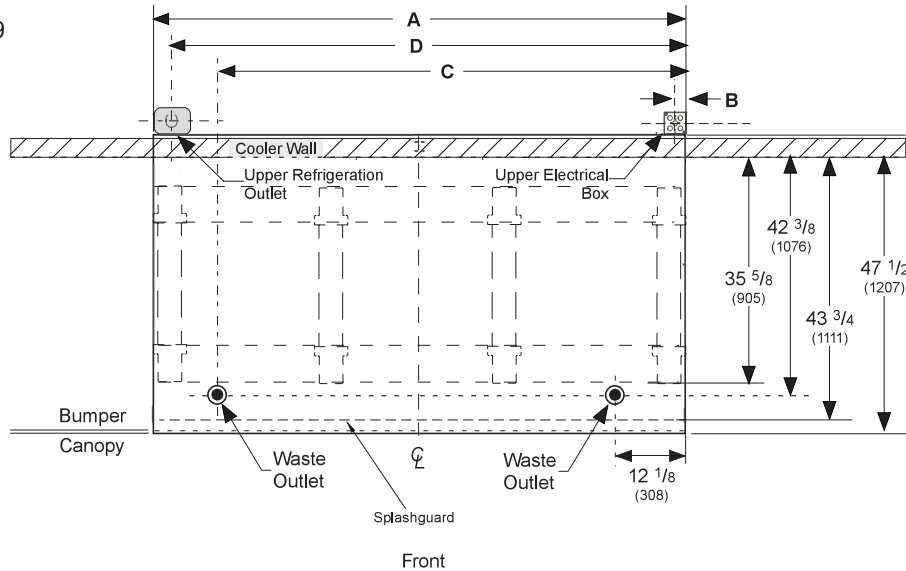
Engineering Plan Views

PHYSICAL DATA	
Merchandiser Drip Pipe (in.)	1 1/4
Merchandiser Liquid Line (in.)	3/8
Merchandiser Suction Line (in.)	7/8

Rear Load Ultra Low Front Dairy

Dimensions shown as in. & (mm).

07-2009



Note: ALL FIELD WIRING CONNECTION POINTS ARE ABOVE THE CASE.
Case to case connections are made in the electrical box at the top of the case.

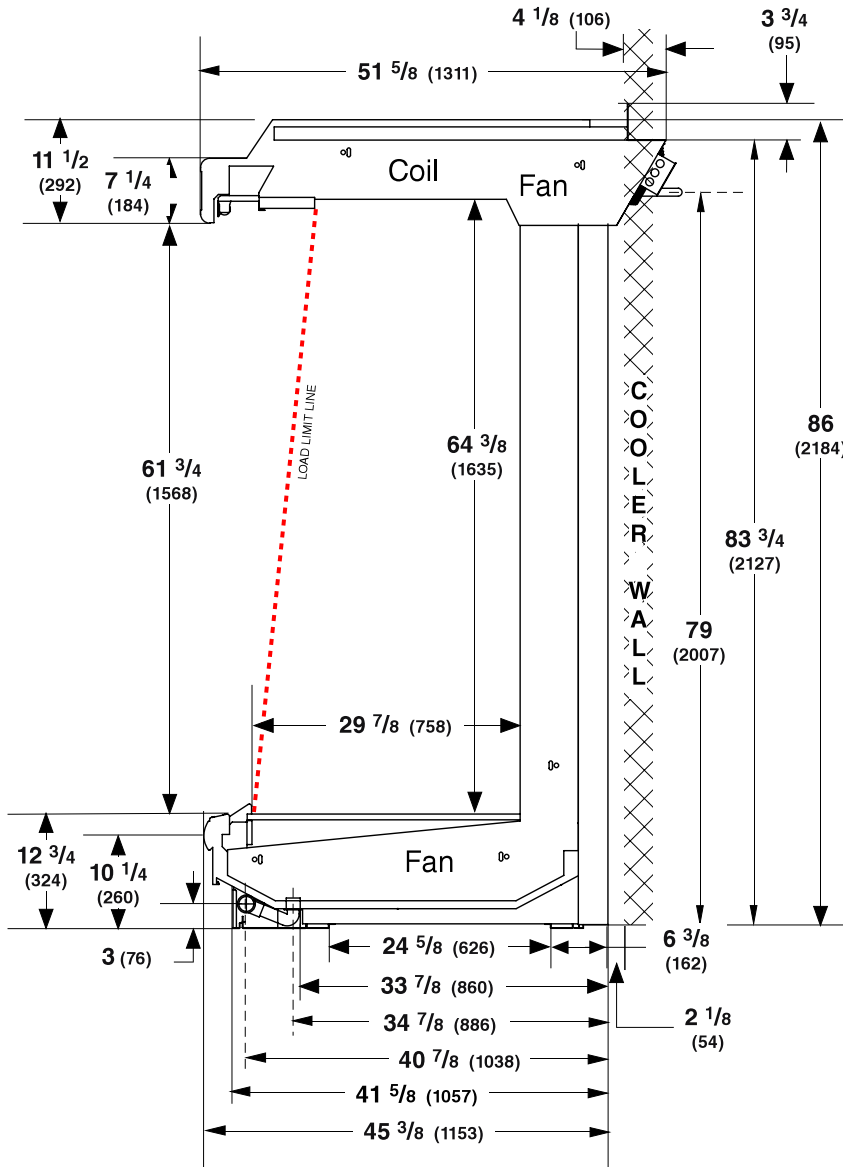
	8 ft	12 ft
General		
(A) Case Length (<i>without ends or partitions</i>) (Each end and insulated partition adds 1 1/2 in. (38 mm) to case line up.) Maximum O/S dimension of case back to front (front of canopy through cooler wall not including electrical box)	96 3/8 (2448)	144 1/2 (3670)
Cooler wall to front of splashguard	51 5/8 (1311)	51 5/8 (1311)
Cooler wall to O/S edge of front rails	43 3/4 (1111)	43 3/4 (1111)
Distance between edges of external rails and center rails	40 3/4 (1035)	40 3/4 (1035)
Distance between edges of center rails	41 1/2 (1054)	41 1/2 (1054)
Distance between front rails and splashguard	NA	43 7/8 (1114)
	7 3/4 (197)	7 3/4 (197)
Electrical Service <input checked="" type="checkbox"/> (<i>Electrical Field Wiring connection point located on top of case</i>)		
(B) RH End of case to center of 4 x 4 x 2 Electrical Box	2 (51)	2 (51)
Back of case (cooler wall) to center of 4 x 4 x 2 Electrical Box	2 1/4 (57)	2 1/4 (57)
Waste Outlets (<i>One each end</i>) <input checked="" type="checkbox"/>		
(C) RH End of case to the center of LH waste outlet	84 1/4 (2140)	132 3/8 (3363)
RH End of case to the center of RH waste outlet	12 1/8 (308)	12 1/8 (308)
Cooler wall to center of waste outlets	42 (1067)	42 (1067)
Schedule 40 PVC drip pipe	1 1/4 (32)	1 1/4 (32)
Refrigeration Outlet <input checked="" type="checkbox"/>		
Cooler wall to center of refrigeration outlet	4 1/4 (108)	4 1/4 (108)
(D) RH end of case to center of refrigeration outlet	93 1/4 (2369)	141 3/8 (3591)

Ultra Low Front, Rear Load



Hussmann refrigerated merchandisers configured for sale for use in the United States meet or surpass the requirements of the DOE 2017 energy efficiency standards.

Dimensions shown as in. & (mm).



ALL FIELD WIRING CONNECTION POINTS ARE ABOVE THE CASE.

Estimated Charge **	D5X-URLE		
8 ft	2.7 lb	43 oz	1.2 kg
12 ft	3.9 lb	62 oz	1.8 kg

**This is an average for all refrigerant types. Actual refrigerant charge may vary by approximately half a pound (8 oz/0.2 kg).

Excel D5X-URLE Dairy

REFRIGERATION DATA

Note: This data is based on store temperature and humidity that does not exceed 75°F and 55% R.H.

	D5X-URLE§
Discharge Air (°F)	27
Evaporator (°F)	21
Unit Sizing (°F)	19

Important Note: Btu numbers are for the D5X-URLE when installed to a cooler operating at a 36°F air temperature. The unit cooler coil must be sized for an **additional load of 1160 Btu/hr/ft of D5X-URLE case** installed to the cooler.

§ Average evaporator temperature shown. Use dew point for high glide refrigerants for unit sizing. Care should be taken to use the dew point in PT tables for measuring and adjusting superheat. Adjust evaporator pressure as needed to maintain discharge air temperature shown.

Btu/hr/ft	D5X-URLE
Parallel	1130
Conventional	1305

Reduce refrigeration load by 15% if fitted with CaseShieldPTM.

DEFROST DATA

	D5X-URLE
Frequency (hr)	6
Defrost Water (lb/ft/day)	6

(± 15% based on case configuration and product loading).

OFFTIME	D5X-URLE
Time Terminated (minutes)	45
ELECTRIC OR GAS	Not Recommended

Standard Defrost Thermostat — NA

CONVENTIONAL CONTROLS

Low Pressure Backup Control	D5X-URLE
CI/CO (Temp °F)*	14/4
Indoor Unit Only, Pressure Defrost Termination (Temp °F)*	NA

*Use a Temperature Pressure Chart to determine PSIG conversions.

Excel D5X-URLE Dairy

Electrical Data

Number of Fans	8 ft		12 ft	
	Amperes		Watts	
Discharge — 13W	4	6	8 ft	12 ft
Return — 12W	4	6		
Return — 7W	—	—		
Discharge Fan				
120V 50/60Hz Standard Energy Efficient	1.20	1.80	80	120
230V 50/60Hz Standard Energy Efficient	0.60	0.90	80	120
230V 60Hz Export	1.56	2.34	244	366
230V 50Hz Export	1.92	2.88	280	420
Return Fan				
120V 50/60Hz Standard Energy Efficient	1.20	1.80	72	108
230V 50/60Hz Standard Energy Efficient	0.60	0.90	72	108
230V 60Hz Export	1.32	1.98	200	300
230V 50Hz Export	1.52	2.28	228	342
Minimum Circuit Ampacity				
120V 50/60Hz Standard Energy Efficient	2.60	3.80		
230V 50/60Hz Standard Energy Efficient	1.40	2.00		
230V 60Hz Export	3.08	4.52		
230V 50Hz Export	3.64	5.36		
Maximum Over Current Protection 120V				
Maximum Over Current Protection 120V	20	20		
Maximum Over Current Protection 230V	15	15		

ONLY LIGHTING CONFIGURATIONS THAT ARE COMPLIANT WITH THE U.S. DEPT. OF ENERGY (DOE) 2017 REGULATION ARE AVAILABLE FOR SALE FOR USE IN THE U.S.A.

LED LIGHTING	Amperes		Watts	
	8 ft	12 ft	8 ft	12 ft
EcoShine ULTRA Canopy Lights				
1 Row EcoShine ULTRA	0.36	0.54	43	64
EcoShine II Canopy Lights				
1 Row EcoShine II	0.32	0.48	39	58
1 Row EcoShine II HO	0.44	0.66	53	79
Lighted shelves are not available for rear-load models.				
EcoShine II Rail Light — 1 Row				
	0.16	0.25	20	30
Standard Lighting (T-8 Fluorescent) 1 Row Canopy				
Each Row of Canopy, Shelf or Rail Lights	0.51	0.77	59	85

120V Lighting Circuit Total = Standard Lighting + Total Optional Lighting
 120V LED Lighting Circuit Total = Canopy Lighting + Optional Rail Lighting
 230V Lighting Circuit Total = Multiply 120V Lighting Circuit Total by 0.52

Please note: some combinations of fluorescent lights on this case model may not be compliant with DOE 2017 and may not be available to order in the US and Canada. More lighting options are available with LED lights. The Hussmann Product Configurator will not allow lighting options that do not comply with the DOE 2017 standards.

Excel D5X-URLE
Dairy

Product Data

<i>Recommended Usable Cube</i> ¹ (Cu Ft/Ft)	10.06 ft ³ /ft (0.93 m ³ /m)
<i>AHRI Total Display Area</i> ² (Sq Ft/Ft)	5.15 ft ² /ft (1.57 m ² /m)
<i>Shelf Area</i> ³ (Sq Ft/Ft)	9.83 ft ² /ft (3.00 m ² /m)

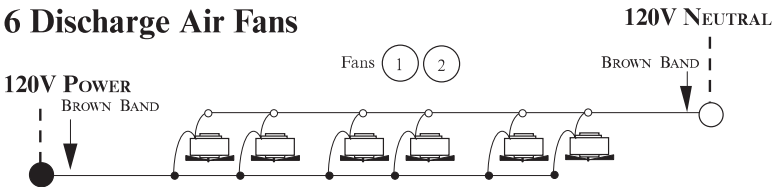
¹ AHRI Refrigerated Volume less shelving and other unusable space: Refrigerated Volume/Unit of Length, ft³/ft [m³/m]
² Computed using AHRI 1200 standard methodology: Total Display Area, ft² [m²]/Unit of Length, ft [m]
³ Shelf surface area is composed of bottom deck plus standard shelf complement, as shown in the Hussmann *Product Reference Guide*. The standard shelf complement for this model is (4) rows of 22-inch shelves.

ESTIMATED SHIPPING WEIGHT ⁴			
Case			Solid End
	8 ft	12 ft	(each)
lb (kg)	970 (440)	1550 (703)	90 (41)

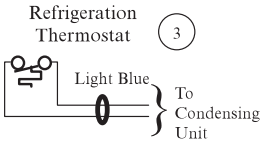
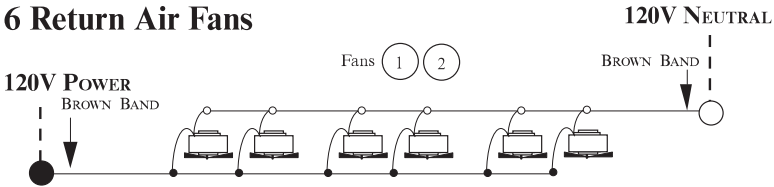
⁴ Actual weights will vary according to optional kits included.


**Fan Wiring
Offtime Defrost**

4 & 6 Discharge Air Fans



4 & 6 Return Air Fans

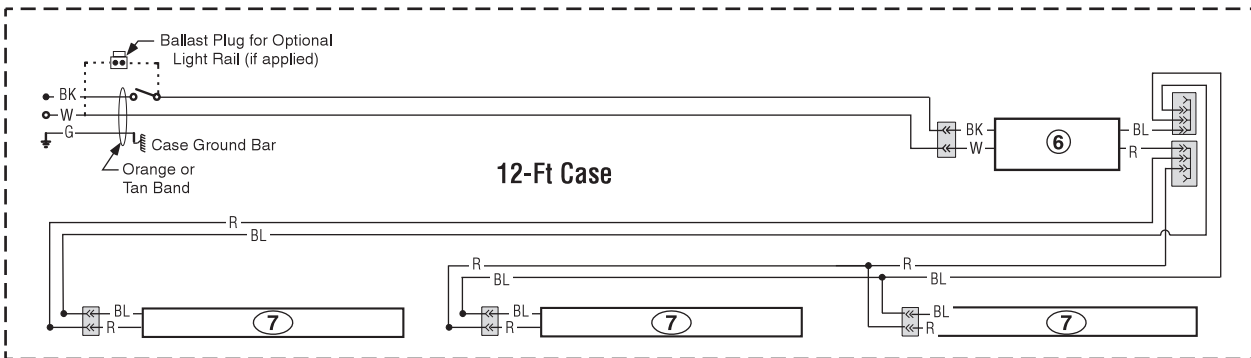
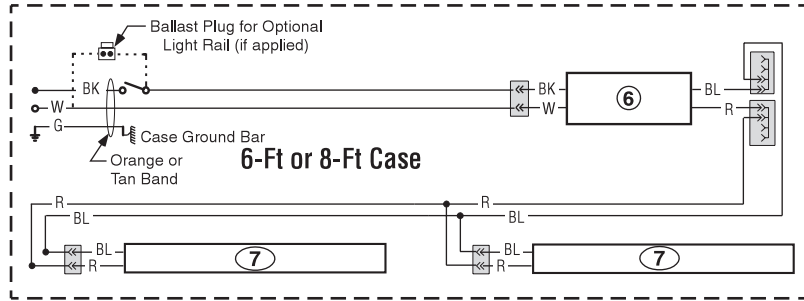




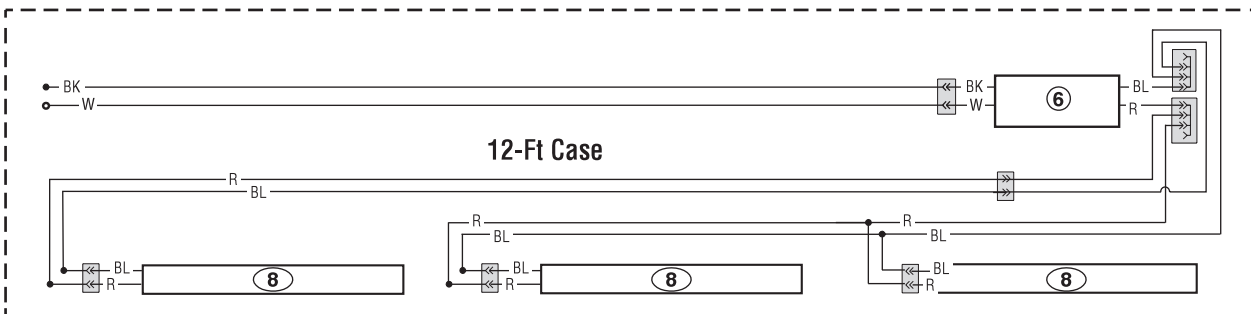
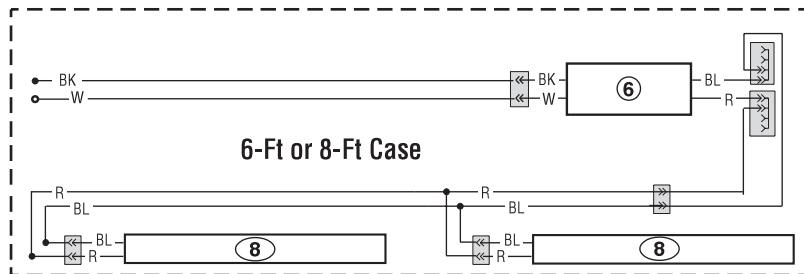
Scan QR code to access
Fluorescent Wiring Diagrams
on your mobile device.

LED Canopy and Rail Light Circuits

LED Canopy Lighting — 1 Row



LED Rail Lighting — 1 Row



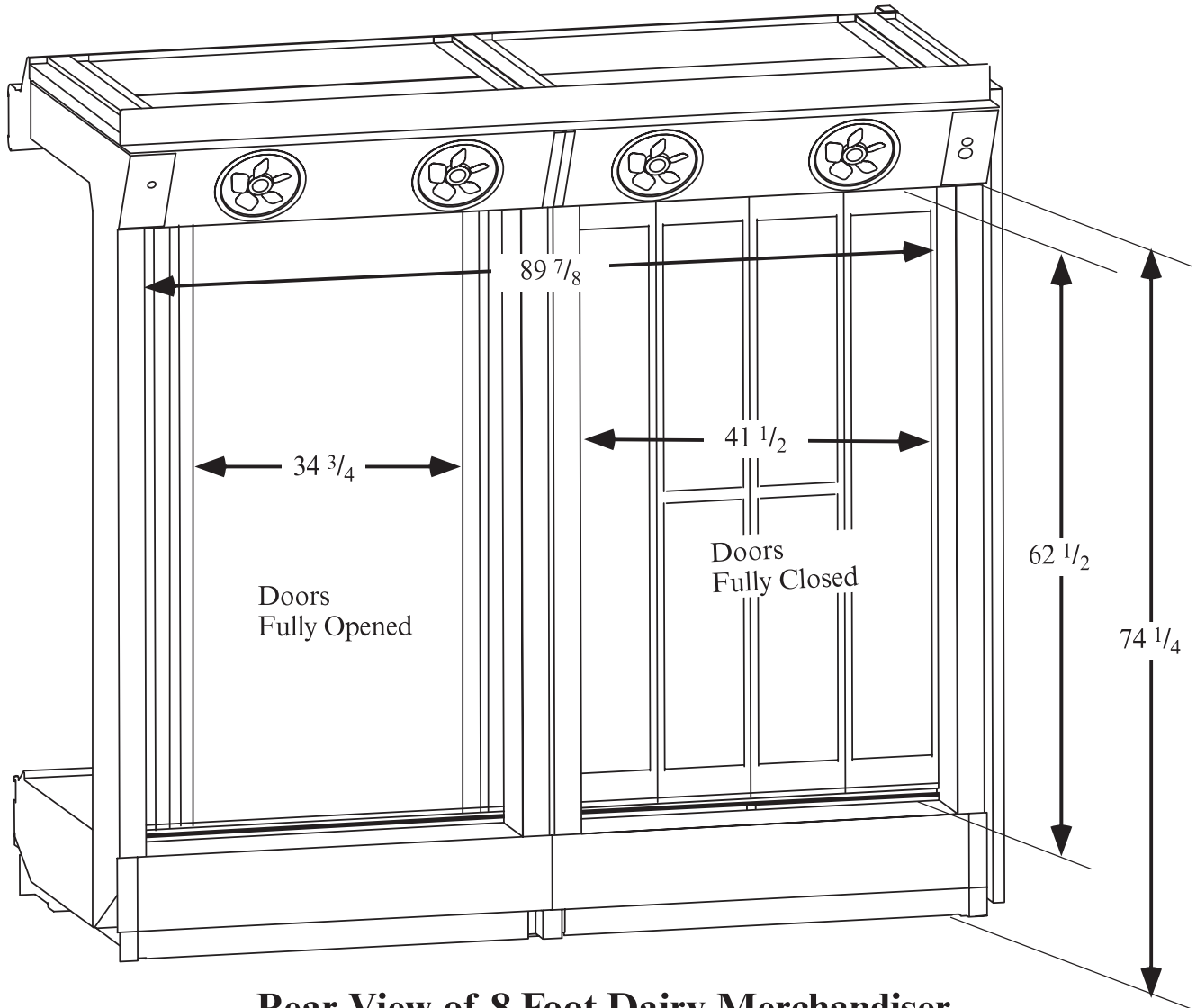
WARNING

All components must have mechanical ground, and the merchandiser must be grounded.

CIRCLED NUMBERS = PARTS LIST ITEM NUMBERS

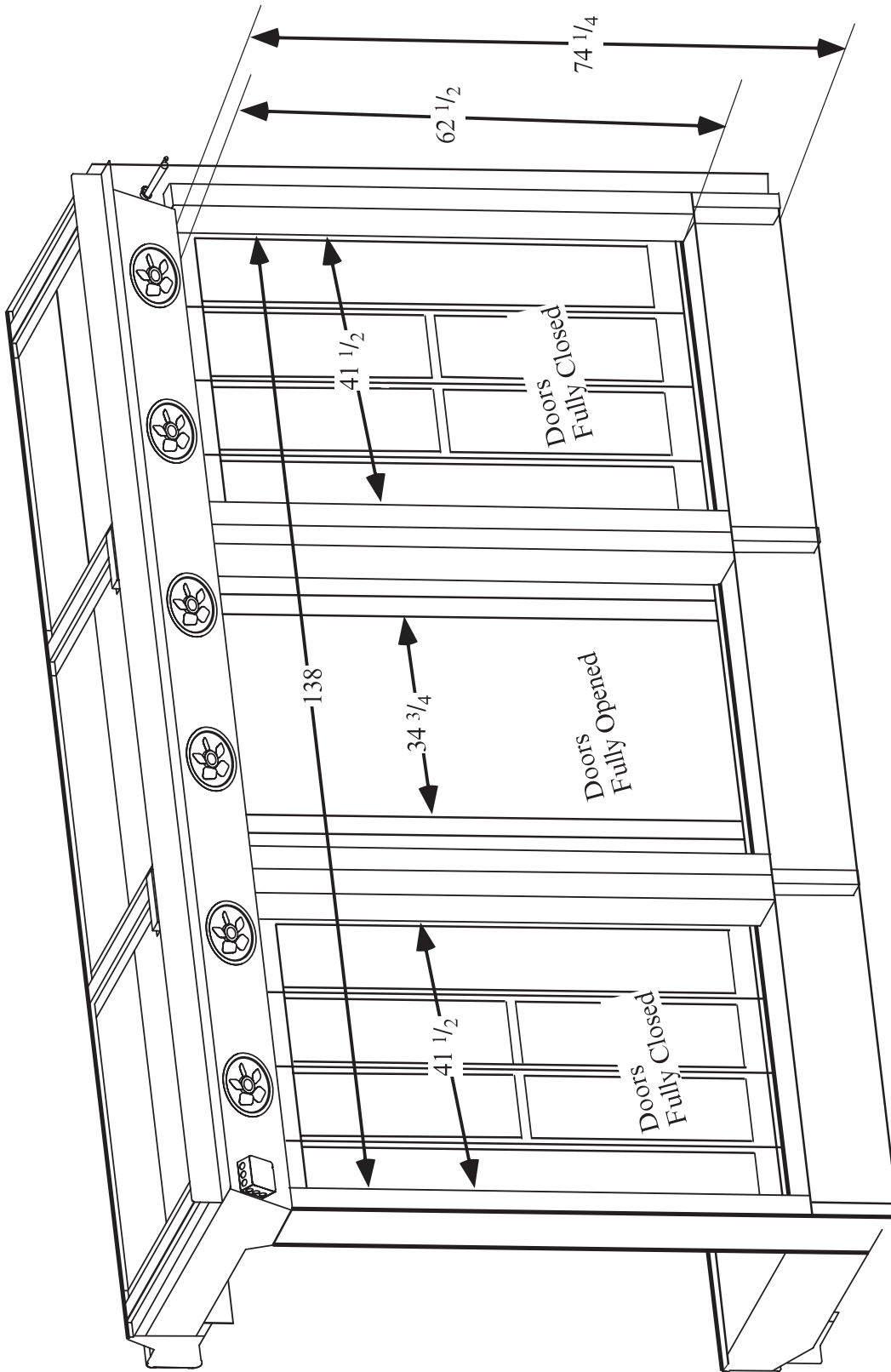
R = Red Y = Yellow G = Green BL = Blue BK = Black W = White

● = 120V POWER ○ = 120V NEUTRAL ⊥ = FIELD GROUND $\overline{\text{m}}$ = CASE GROUND



Rear View of 8 Foot Dairy Merchandiser

NOTE: Consult Ultra-Low Front Installation manual for instructions on connecting the merchandiser to the cooler.



NOTE: Consult Ultra-Low Front Installation manual for instructions on connecting the merchandiser to the cooler.

Rear View of 12 Foot Dairy Merchandiser