

We reserve the right to change or revise specifications and product design in connection with any feature of our products. Such changes do not entitle the buyer to corresponding changes, improvements, additions or replacements for equipment previously sold or shipped.

Item	Part #	Description	Wiring Item #	Item	Part #	Description	Wiring Item #
FAN ASSEMBLIES AND THERMOSTATS				REFRIGERATION			
A.	12W Standard Fan Assembly	(1)		J.	Condensing Unit Assembly, 230V		
	0436515	Fan Motor, Evaporator – 208V/230V (MO.4410107)			0513598	6 ft. (EQ.4671457)	
	0315470	Fan Blade (FB.0315470)			0513597	8 ft. (EQ.4613775)	
B.	0510349	Standard Adjustable Refrigeration Thermostat (CT.4441543)	(2)	K.	0331344	Sight Glass (GL.4974431)	
HEATERS				L.	0111482	Drier (FI.4611727)	
C.	0322013	Condensate Pan Heater 230V (HE.4850230)	(3)	M.	0515380	Crankcase Pressure Regulator (VR.4613797)	
D.	0338797	Condensate Pan (DP.4982984)		N.	TEV		
CONTROL PANEL					0515364	6 ft (VR.4613795)	
E.	0106236	Defrost Timer (TC.4440604)	(4)		0515385	8 ft (VR.4613798)	
F.		Disconnect Switch	(5)	LAMPS AND BALLASTS)			
	0019187	6 ft (SW.4440647)		O.	0440215	Ballast, Electronic	(9)
	0447658	8 ft (SW.4410992)				2 lamps (BA.4481267)	
G.	0138400	Contactors (CN.4480909)	(6)	P.		Fluorescent Lamp	(10)
H.	0513693	Pressure Control (CP.4482953)	(7)			<i>Replace with like fixtures</i>	
I.	0514020	Time Delay Relay (8 ft. only)	(8)				
		(RL.4441768)					

Note: Revision A is original issue



Engineering Plan Views

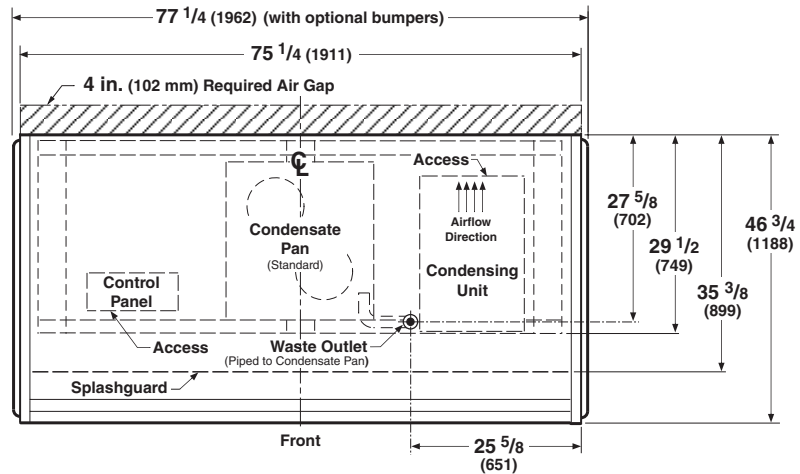
M4-EA-E2
M4-GEA-E2

Meat / Delicatessen
Pretcut & Packaged Produce,
Self-Contained

Dimensions shown as inches and (mm).

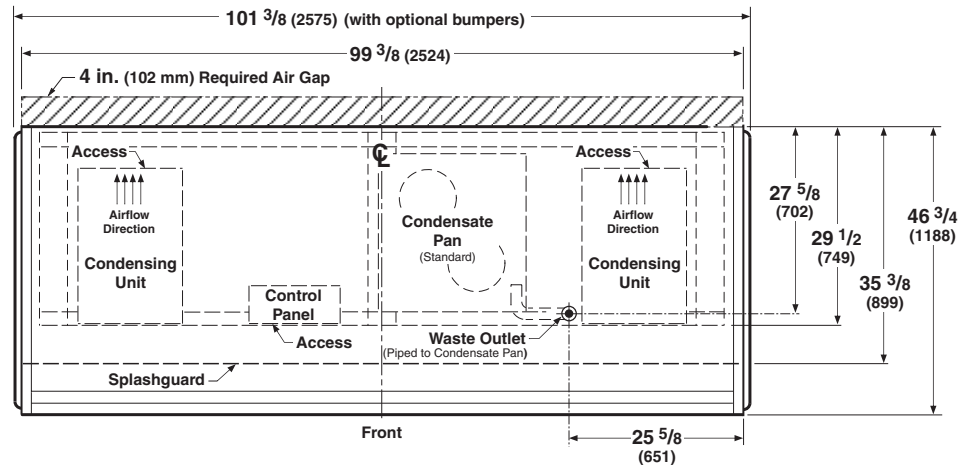
6 ft

03-10



8 ft

03-10



General

- Case Length (Note: Includes One Pair Ends)
- Optional End Bumpers (One Pair)
- Maximum O/S dimension of case back to front
(Note: Includes bumper)
- Back of case to front of splashguard
- Width of skid rail
- RH end of case of outside edge of external support
- Width of external and center supports
- Distance between edges of external support and center support

Waste Outlet

- RH end of case (from outside of End Assembly)
to center of waste outlet
- Back of case to center of waste outlet

	6 ft	8 ft
Case Length (Note: Includes One Pair Ends)	75 1/4 (1911)	99 3/8 (2524)
Optional End Bumpers (One Pair)	2 (51)	2 (51)
Maximum O/S dimension of case back to front (Note: Includes bumper)	46 3/4 (1188)	46 3/4 (1188)
Back of case to front of splashguard	35 3/8 (899)	35 3/8 (899)
Width of skid rail	4 1/4 (108)	4 1/4 (108)
RH end of case of outside edge of external support	2 3/4 (70)	2 3/4 (70)
Width of external and center supports	4 1/4 (108)	4 1/4 (108)
Distance between edges of external support and center support	28 1/2 (724)	40 1/2 (1029)
RH end of case (from outside of End Assembly) to center of waste outlet	25 5/8 (651)	25 5/8 (651)
Back of case to center of waste outlet	27 5/8 (702)	27 5/8 (702)

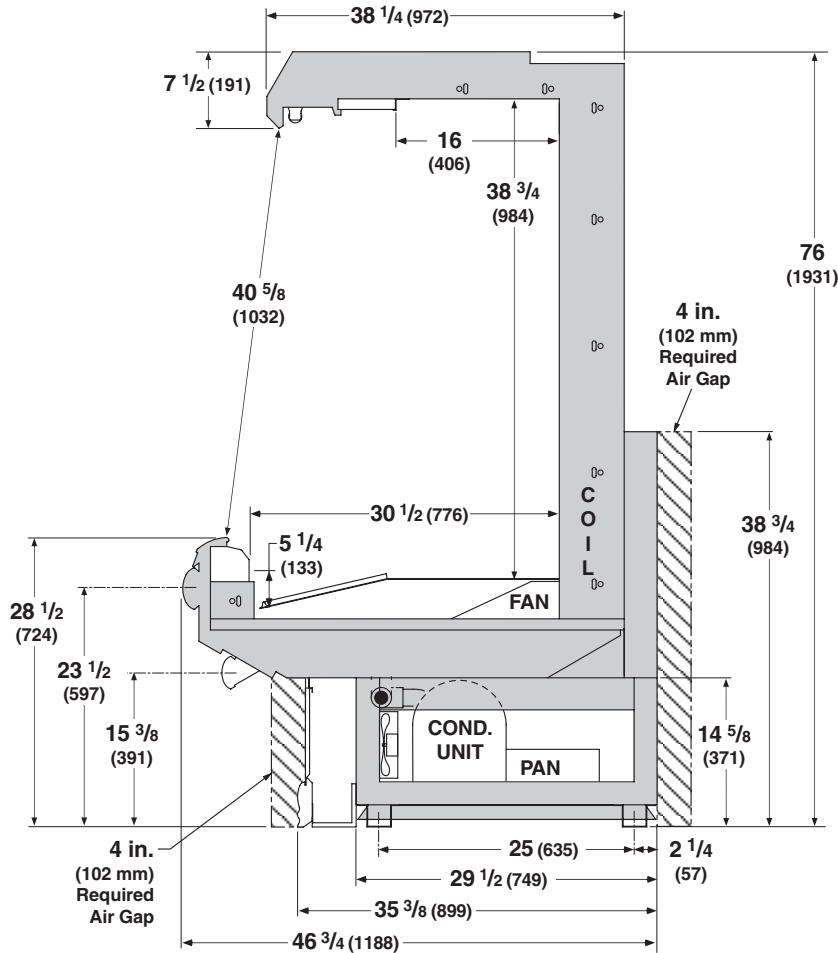
M4-EA-E2

M4-GEA-E2 Technical Data Sheet

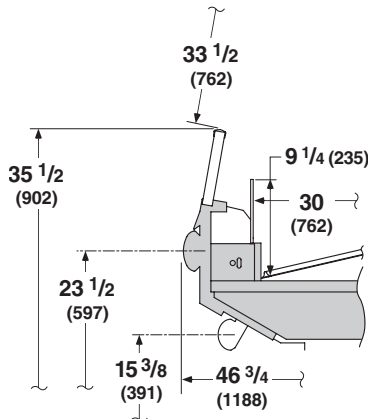
Multi-deck, 4 Display Levels, Self-Contained

Dimensions shown as inches and (mm).

M4-EA-E2



M4-GEA-E2



Impact **M4-EA-E2**
M4-GEA-E2
Meat / Delicatessen
Precut & Packaged Produce,
Self-Contained

REFRIGERATION DATA

Note: This data is based on store temperature and humidity that does not exceed 75°F and 55% R.H. unless otherwise stated. Schedule defrost at night while lights are off.

	M4-EA-E2	M4-GEA-E2
	6 ft	8 ft
Thermostat Setting CI/CO (°F)	30 / 26	30 / 26
Condensing Unit (hp)	1	0.75 each
Condensing Unit Capacity (Btu/hr at std. rating conditions)	8940	6590 each

DEFROST DATA

	M4-EA-E2	M4-GEA-E2
Frequency (hr)		6
OFFTIME		
Failsafe (minutes)		30
Defrost Termination Pressure (psig)		100 (48°F)

CONVENTIONAL CONTROLS

	M4-EA-E2	M4-GEA-E2
Low Pressure Backup Control		CI/CO
HPC (psig)		400/450
LPC (psig)		45/34

PHYSICAL DATA

	M4-EA-E2	M4-GEA-E2
Refrigerant Charge		
6 ft	3.56 lb	57 oz 1.6 kg
8 ft	3.5 lb each	56 oz each 1.6 kg each

NSF® Certification

This merchandiser model is manufactured to meet ANSI/NSF® (National Sanitation Foundation) Standard #7 requirements for construction, materials & cleanability.

Impact M4-EA-E2 M4-GEA-E2 Meat / Delicatessen Precut & Packaged Produce, Self-Contained
--

Electrical Data

Note: These are rated values for individual components and should not be added together to determine total merchandiser electrical load.

	6ft	8 ft		
Number of Fans – 12W	4	4		
	Amperes		Watts	
	6 ft	8 ft	6 ft	8 ft
Evaporator Fans				
230V 60Hz Standard	1.32	1.32	200	200
230V 60Hz Energy Efficient	0.60	0.60	72	72
Condensate Pan Heaters (230V)	4.0	6.0	920	1380
Condensing Unit (208/230V, 1Ph, 60Hz)				
Minimum Circuit Ampacity	14.9	12.3 each		
Compressor LRA	51.0	43.0 each		
Compressor RLA	11.0	9.0 each		
Minimum Circuit Ampacity				
230V 1Ph 60Hz Standard	17.1	24.3		
230V 1Ph 60Hz Energy Efficient	16.4	23.6		
Maximum Over Circuit Protection 208/230V	20	30		
Lighting				
Standard (T-8 Fluorescent)	6 ft	8 ft	6 ft	8 ft
1 Row Canopy - Fluorescent Lamp	0.26	0.26	59	59
Optional Lighting (T-8 Fluorescent)				
1 Row Canopy and 1 Row Rail	0.51	0.51	118	118
2 Row Canopy	0.51	0.51	118	118
2 Row Canopy and 1 Row Rail	0.77	0.77	177	177
Optional Shelf Lighting (T-8 Fluorescent)				
1 Row of Shelves	0.26	0.26	59	59
2 Rows of Shelves	0.51	0.51	118	118
3 Rows of Shelves	0.77	0.77	177	177

<p>Impact M4-EA-E2 M4-GEA-E2 Meat / Delicatessen Precut & Packaged Produce, Self-Contained</p>
--

Product Data

M48EA-E2	
<i>Recommended Usable Cube</i> ¹ (Cu Ft/Case)	48.64 ft ³ /case (1.38 m ³ /case)
<i>AHRI Total Display Area</i> ² (Sq Ft/Case)	30.40 ft ² /case (2.82 m ² /case)
<i>Shelf Area</i> ³ (Sq Ft/Case)	53.68 ft ² /case (4.99 m ² /case)
M46GEA-E2	
<i>Recommended Usable Cube</i> ¹ (Cu Ft/Case)	36.36 ft ³ /case (1.03 m ³ /case)
<i>AHRI Total Display Area</i> ² (Sq Ft/Case)	20.38 ft ² /case (1.89 m ² /case)
<i>Shelf Area</i> ³ (Sq Ft/Case)	40.14 ft ² /case (3.73 m ² /case)
M48GEA-E2	
<i>Recommended Usable Cube</i> ¹ (Cu Ft/Case)	48.48 ft ³ /case (1.37 m ³ /case)
<i>AHRI Total Display Area</i> ² (Sq Ft/Case)	27.17 ft ² /case (2.52 m ² /case)
<i>Shelf Area</i> ³ (Sq Ft/Case)	53.52 ft ² /case (4.97 m ² /case)

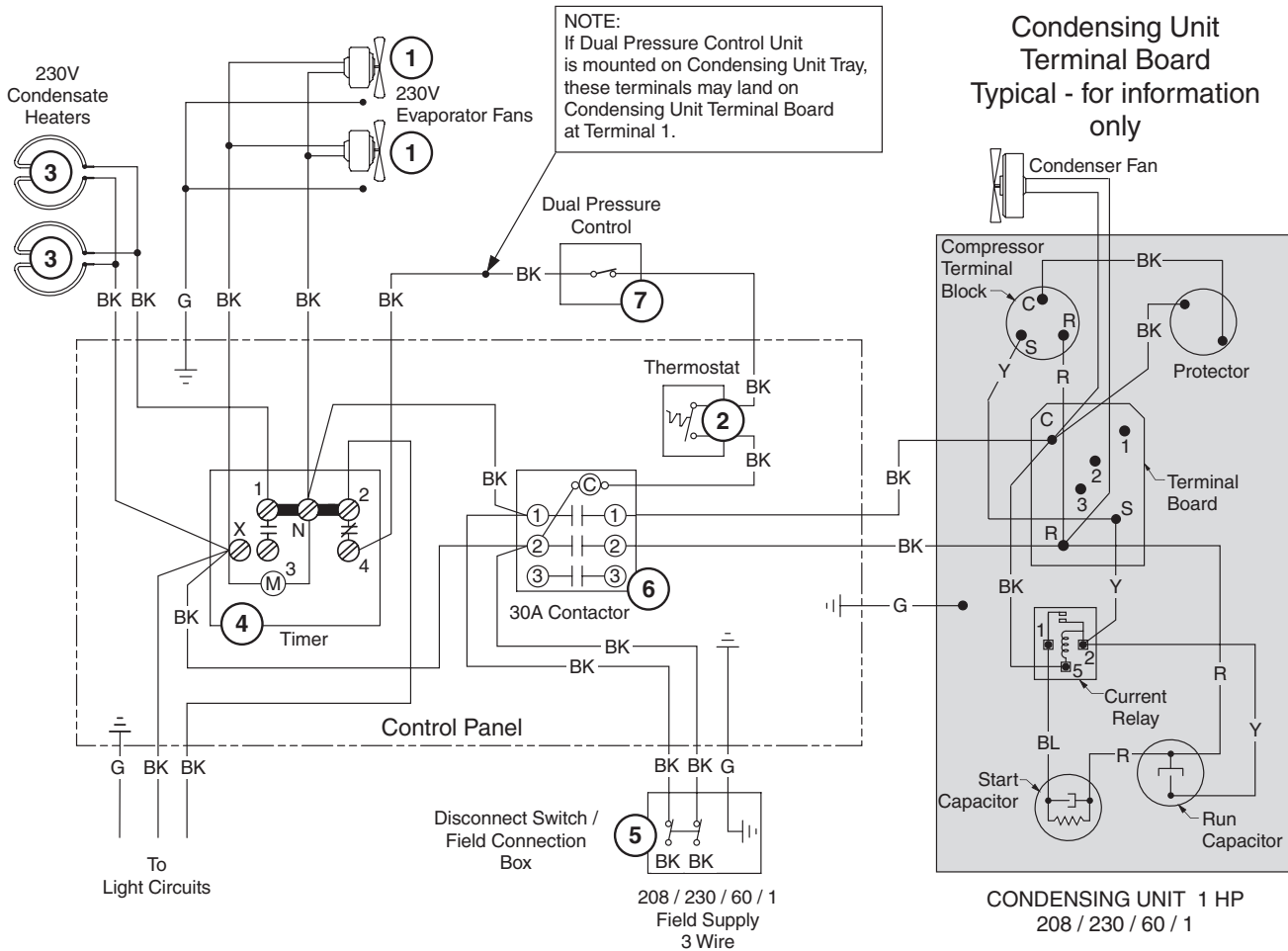
¹ AHRI Refrigerated Volume less shelving and other unusable space: Refrigerated Volume / Unit of Length, ft³/ft [m³/m]
² Computed using AHRI 1200 standard methodology: Total Display Area, ft² [m²] / Unit of Length, ft [m]
³ Shelf surface area is composed of bottom deck plus standard shelf complement, as shown in the Hussmann *Product Reference Guide*. The standard shelf complement for this model is (2) rows of 16-inch shelves and (1) row of 18-inch shelves.

ESTIMATED SHIPPING WEIGHT ⁴			
Case	<i>6 ft</i>	<i>8 ft</i>	<i>End</i>
lb (kg)	1204 (546)	1277 (579)	Included
 ⁴ Actual weights will vary according to optional kits included.			

**Impact M4-EA-E2
M4-GEA-E2**

**Meat / Delicatessen
Precut & Packaged Produce,
Self-Contained**

**Electrical Wiring
6 ft**



WARNING

All components must have mechanical ground, and the merchandiser must be grounded.

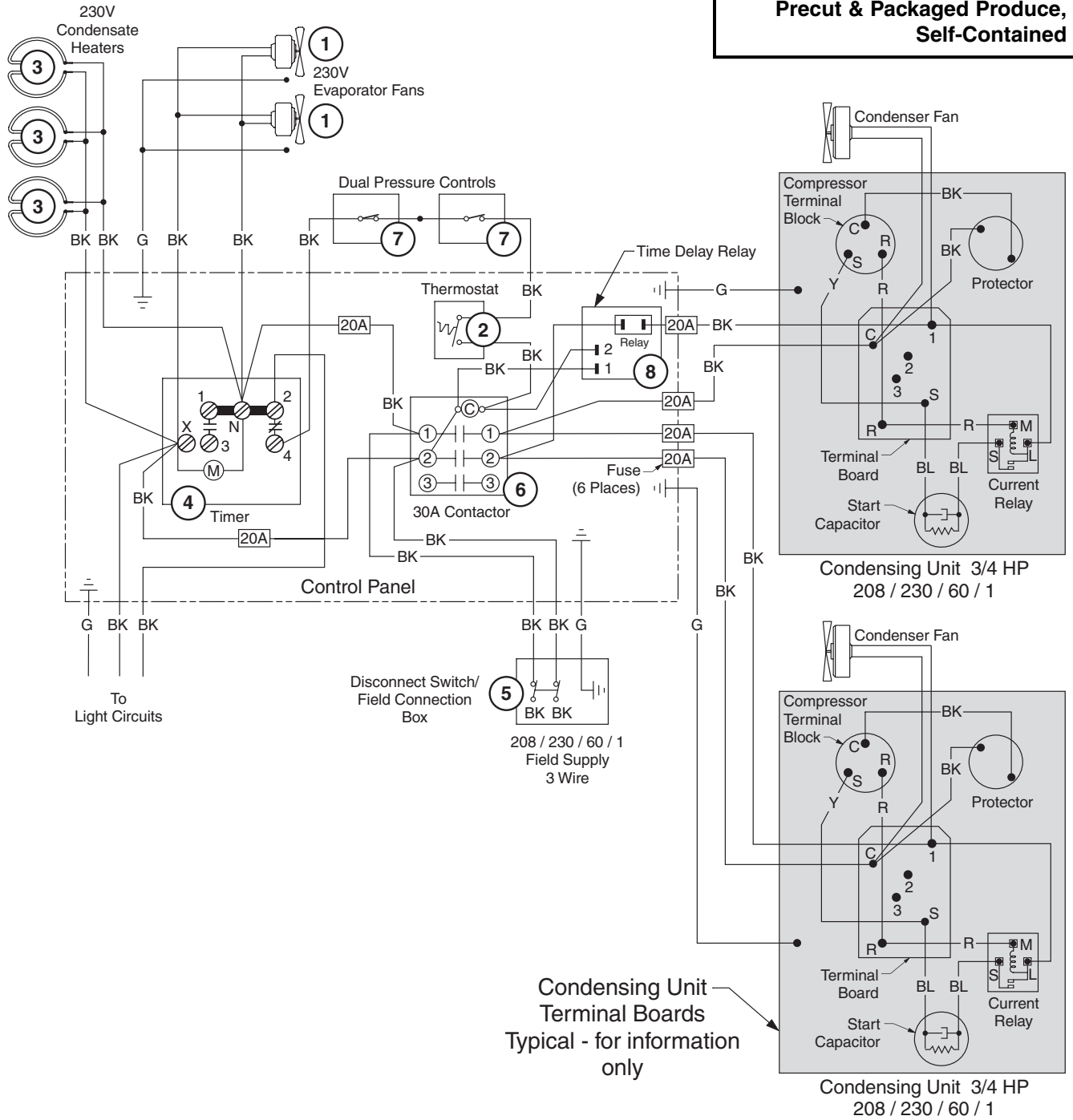
CIRCLED NUMBERS = PARTS LIST ITEM NUMBERS

R = Red Y = Yellow G = Green BL = Blue BK = Black W = White

\perp = FIELD GROUND \perp = CASE GROUND

Electrical Wiring 8 ft

Impact **M4-EA-E2**
M4-GEA-E2
Meat / Delicatessen
Precut & Packaged Produce,
Self-Contained



WARNING

All components must have mechanical ground, and the merchandiser must be grounded.

CIRCLED NUMBERS = PARTS LIST ITEM NUMBERS

R = Red Y = Yellow G = Green BL = Blue BK = Black W = White

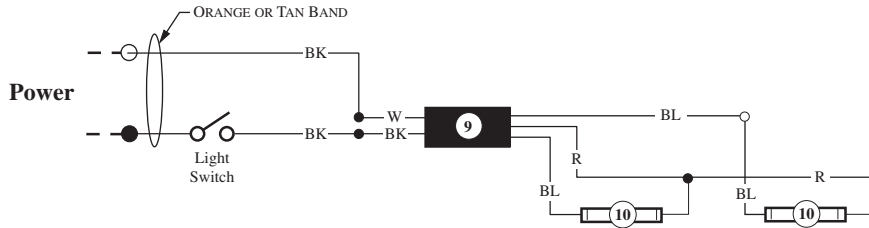
\perp = FIELD GROUND /// = CASE GROUND

Impact **M4-EA-E2**
M4-GEA-E2

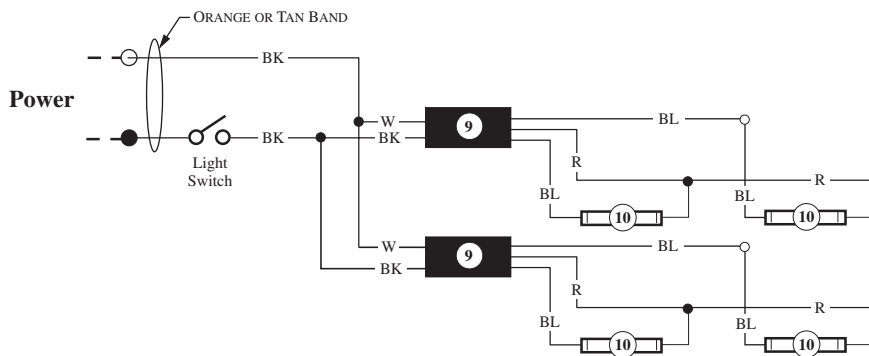
Meat / Delicatessen
Precut & Packaged Produce,
Self-Contained

Light Circuits

Standard 230V Lighting 1 Row Canopy or Optional 1 Row Rail



Optional 230V Lighting 2 Rows Canopy



WARNING

All components must have mechanical ground, and the merchandiser must be grounded.

CIRCLED NUMBERS = PARTS LIST ITEM NUMBERS

R = Red Y = Yellow G = Green BL = Blue BK = Black W = White

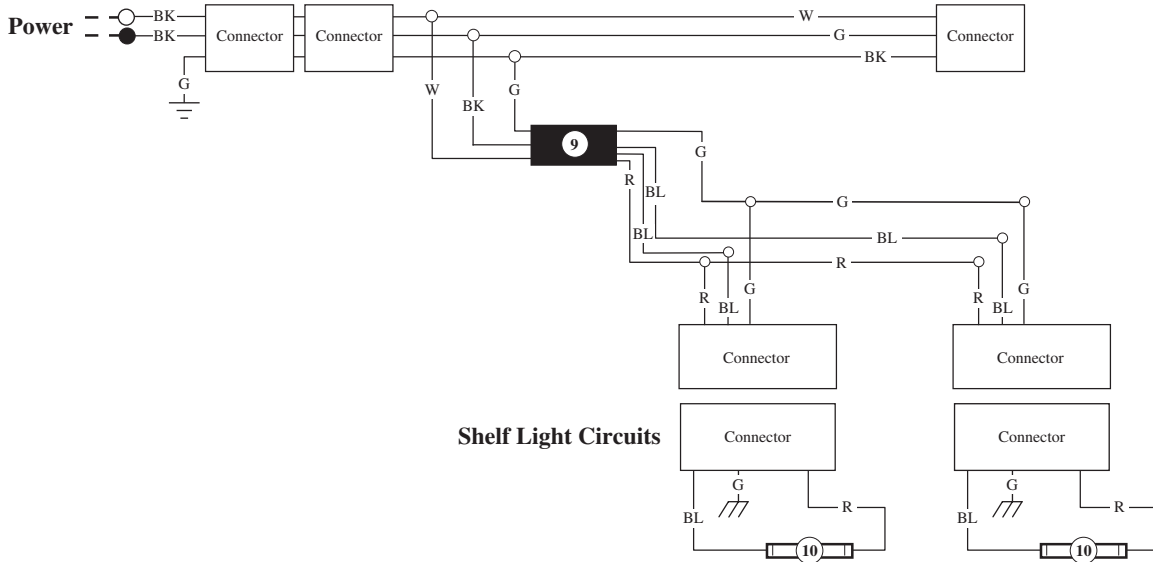
\perp = FIELD GROUND /// = CASE GROUND

Shelf Lighting

Impact **M4-EA-E2**
M4-GEA-E2
 Meat / Delicatessen
 Precut & Packaged Produce,
 Self-Contained

Optional 230V Shelf Harness and Light Circuits for One Row of Shelves

Shelf Harness



Typical Shelf Ballast Wiring

Maximum lamps per ballast is three (3).
 Different shelf configurations and different
 case lengths will have more shelf ballasts.

WARNING

All components must have mechanical ground, and the merchandiser must be grounded.

CIRCLED NUMBERS = PARTS LIST ITEM NUMBERS

R = Red Y = Yellow G = Green BL = Blue BK = Black W = White

= FIELD GROUND = CASE GROUND