

We reserve the right to change or revise specifications and product design in connection with any feature of our products. Such changes do not entitle the buyer to corresponding changes, improvements, additions or replacements for equipment previously sold or shipped.

| Item | Part # | Description | Wiring Item # |
|--|---------|---|---------------|
| FAN ASSEMBLIES, AND THERMOSTATS | | | |
| (A) | 0378349 | Fan Motor, Evaporator (MO.4410311) | (1) |
| | 0142780 | Fan Blade Embossing toward motor (FB.0412780) | |

NOTE: Changed items have been underlined.



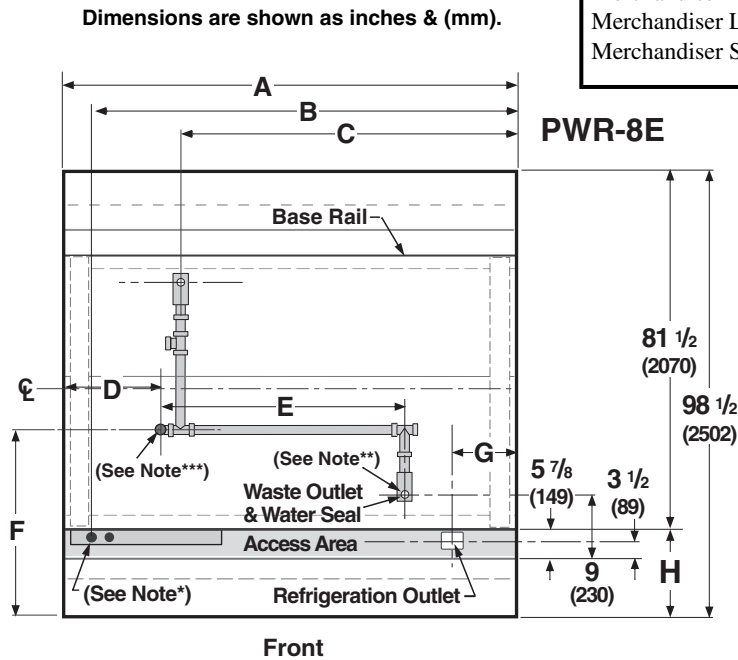
Engineering Plan Views

98 Inch Wide Island Bulk Produce

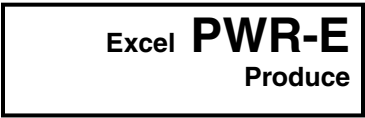
11-2010

PHYSICAL DATA

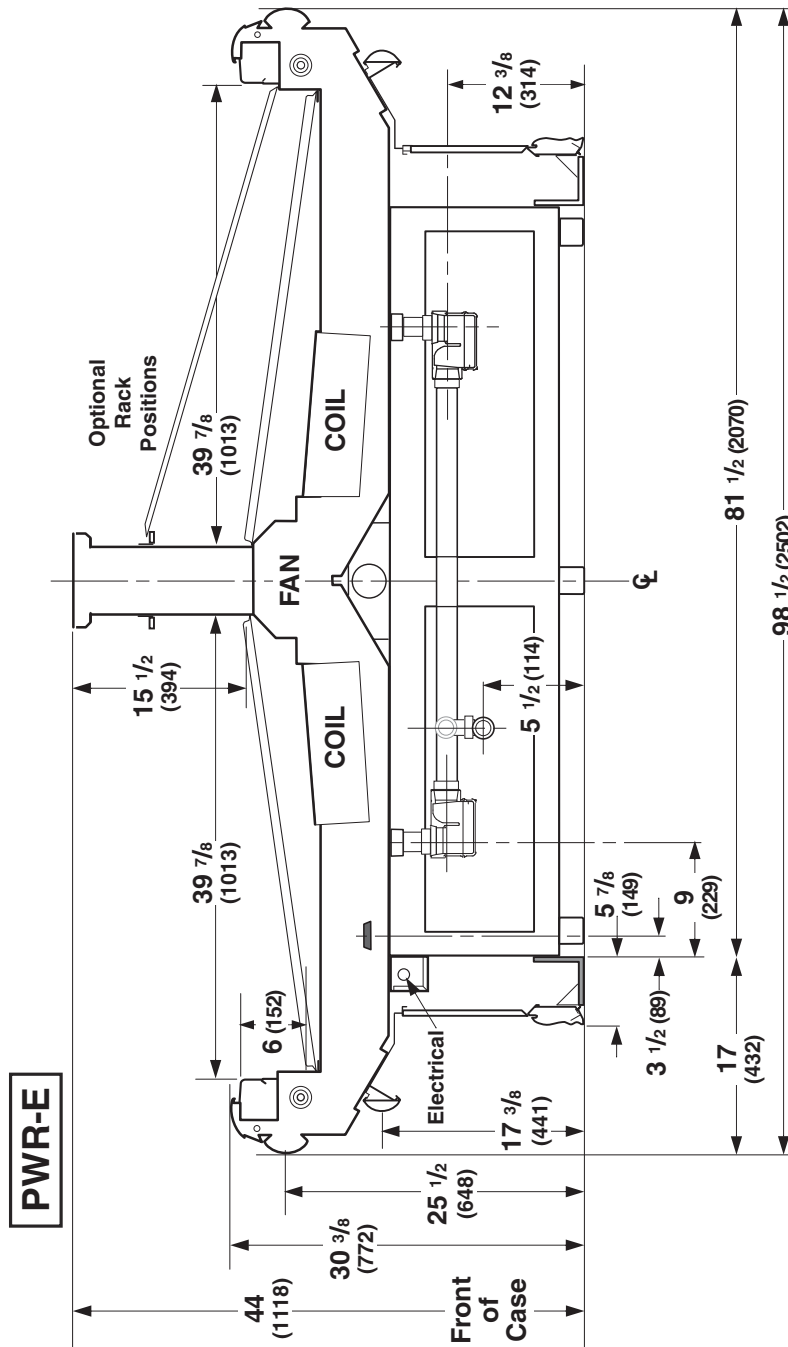
| | |
|---------------------------------|-------|
| Merchandiser Drip Pipe (in.) | 1 1/2 |
| Merchandiser Liquid Line (in.) | 3/8 |
| Merchandiser Suction Line (in.) | 7/8 |



| General | 8 Ft | 12 Ft |
|--|-------------------------------|--------------------------------|
| (A) Case length <i>Each End and Partition adds 1 1/2 in. (38 mm) to the length of the lineup.</i> Maximum outside dimension of case back to front (includes bumper) | 96 3/8 (2448) | 144 1/2 (3670) |
| Front of splashguard to outside edge of base rail | 5 7/8 (149) | 5 7/8 (149) |
| Back of case to outside edge of front base rail | 81 1/2 (2070) | 81 1/2 (2070) |
| Front of case to outside edge of front base rail | 17 (432) | 17 (432) |
| Width of base rail | 2 1/8 (54) | 2 1/8 (54) |
| Stub up area between front base rail and splashguard | 4 7/8 (124) | 4 7/8 (124) |
| Electrical Service | | |
| (B) Righthand end of case to center of farthest knockout Length of electrical raceway <i>*Note: Electrical field wiring connection point.</i> | 95 3/8 (2423) 34 5/8 (878) | 143 1/2 (3645) 34 5/8 (878) |
| Waste Outlet | | |
| (C) Righthand end of case to center of waste outlet | 72 1/4 (1835) | 72 1/4 (1835) |
| Water Seal | | |
| Edge of water seal to center of waste outlet | 4 (102) | 4 (102) |
| Center of waste outlet to outside edge of front base rail <i>** Note: Field installed water seal outlets, tees, and connectors are shipped with case</i> | 3 1/2 (89) | 3 1/2 (89) |
| Drip Pipe Outlet | | |
| (D) Left end of case to center of drip pipe outlet | 19 1/2 (495) | 68 1/2 (1740) |
| (E) Center of waste outlet to center of drip pipe outlet | 51 7/8 (1318) | 3 3/4 (95) |
| (F) Front of case to center of drip pipe outlet Outside diameter of drip pipe lines <i>***Note: Field drip pipe connection point.</i> | 25 7/8 (657) 1 1/2 (38) | 24 7/8 (632) 1 1/2 (38) |
| Refrigeration Outlet | | |
| (G) Righthand end of case to center of refrigeration outlet Center of refrigeration outlet to outside edge of front base rail | 9 (230) 3 1/2 (89) | 9 (230) 3 1/2 (89) |



Dimensions are shown as inches & (mm).



PWR-E

NSF Certification

This merchandiser model is manufactured to meet ANSI/NSF (National Sanitation Foundation) Standard #7 requirements for construction, materials & cleanability.

REFRIGERATION DATA

Note: This data is based on store temperature and humidity that does not exceed 75°F and 55% R.H.

| | PWR-8, 12E |
|--------------------|------------|
| Discharge Air (°F) | 34 |
| Evaporator(°F) | 24 |
| Unit Sizing (°F) | 22 |
| <i>Btu/hr/ft</i> | PWR-8, 12E |
| Parallel | 1255 |
| Conventional | 1385 |

DEFROST DATA

| | PWR-8, 12E |
|--|------------|
| Frequency (hr) | 6 |
| Defrost Water (lb/ft/day) | 8 |
| (± 15% based on case configuration and product loading). | |

| | PWR-8, 12E |
|--------------------|------------|
| OFFTIME | PWR-8, 12E |
| Temp Term (°F) | N/A |
| Failsafe (minutes) | 45 |

Standard Defrost Thermostat NA

CONVENTIONAL CONTROLS

| | PWR-8, 12E |
|-----------------------------|------------|
| Low Pressure Backup Control | PWR-8, 12E |
| CI/CO* | 17°/7° F |

Indoor Unit Only, Pressure Defrost

Termination** 48° F

*Use a Temperature Pressure Chart to determine PSIG conversions.

PHYSICAL DATA

| | Estimated Charge (lb)** | PWR-8, 12E |
|-------|-------------------------|------------|
| 8 ft | 2.8 lb 45 oz | 1.3 kg |
| 12 ft | 4.3 lb 69 oz | 2.0 kg |

***This is an average for all refrigerant types. Actual refrigerant charge may vary by approximately 0.5 lb (8 oz / 0.2 kg).

| |
|--------------------------------------|
| Excel PWR-E Produce |
|--------------------------------------|

Electrical Data

| | | |
|------------------------------------|-------------|--------------|
| Number of Fans | 8 ft | 12 ft |
| Refrigeration — 9W | 2 | 3 |
| Refrigeration — 9W (Export) | 2 | 3 |

| Merchandiser | Amperes | | Watts | |
|------------------------------|----------------|--------------|--------------|--------------|
| | 8 ft | 12 ft | 8 ft | 12 ft |
| Fans (Refrigeration) | | | | |
| Standard (120V 60Hz) | 1.54 | 2.31 | 124 | 186 |
| Energy Efficient (120V 60Hz) | 0.76 | 1.14 | 50 | 75 |
| Export (230V 50 Hz) | 0.94 | 1.41 | 140 | 210 |

| | | |
|--|------|------|
| Min. Circuit Ampacity | | |
| With Standard Fans (120V 60Hz) | 1.74 | 2.51 |
| With Energy Efficient Fans (120V 60Hz) | 0.96 | 1.34 |
| With Export Fans (230V 50 Hz) | 1.14 | 1.61 |

| | | |
|---|----|----|
| Maximum Over Current Protection 120V | 20 | 20 |
| Maximum Over Current Protection 230V | 15 | 15 |

Standard Lighting

None

Optional Lighting

None

Optional Shelf Lighting

None

Product Data

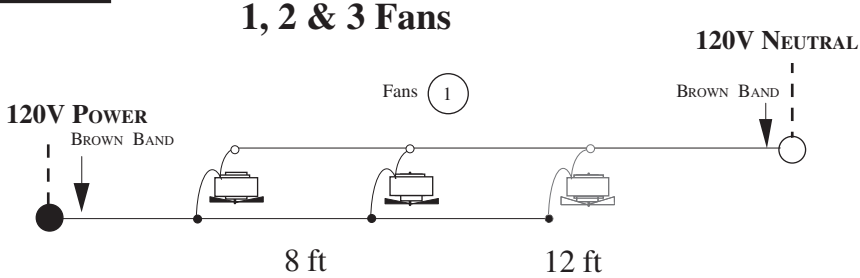
| | |
|--|---|
| <i>Recommended Usable Cube</i> ¹ (Cu Ft/Ft) | 8.33 ft ³ /ft (0.77 m ³ /m) |
| <i>ARI Total Display Area</i> ² (Sq Ft/Ft) | 6.67 ft ² /ft (2.03 m ² /m) |
| <i>Shelf Area</i> ³ (Sq Ft/Ft) | 7.17 ft ² /ft (2.19 m ² /m) |

¹ ARI Refrigerated Volume less shelving and other unusable space: Refrigerated Volume/Unit of Length, ft³/ft [m³/m]
² Computed using ARI 1200 standard methodology: Total Display Area, ft² [m²]/Unit of Length, ft [m]
³ Shelf surface area is composed of bottom deck plus standard shelf complement, as shown in the Hussmann *Product Reference Guide*. The standard shelf complement for this model is NONE.

| ESTIMATED SHIPPING WEIGHT ⁴ | | | |
|--|------------|------------|--------------------|
| Case | 8 ft | 12 ft | Flat End (each) |
| lb (kg) | 1000 (454) | 1200 (544) | 80 (36) |

⁴ Actual weights will vary according to optional kits included.

| |
|---------------------------------------|
| Fan Wiring Offtime Defrost |
|---------------------------------------|



WARNING

All components must have a mechanical ground, and the merchandiser must be grounded.

CIRCLED NUMBERS = PARTS LIST ITEM NUMBERS
 ● = 120V POWER ○ = 120V NEUTRAL