

We reserve the right to change or revise specifications and product design in connection with any feature of our products. Such changes do not entitle the buyer to corresponding changes, improvements, additions or replacements for equipment previously sold or shipped.

Item	Part #	Description	Wiring Item #
FAN ASSEMBLIES, AND THERMOSTATS			
(A)	0378349	Fan Motor, Evaporator (MO.4110311)	(1)
	0142780	Fan Blade Embossing toward motor (FB.0142780)	

NOTE: Changed items have been underlined.



Engineering Plan Views

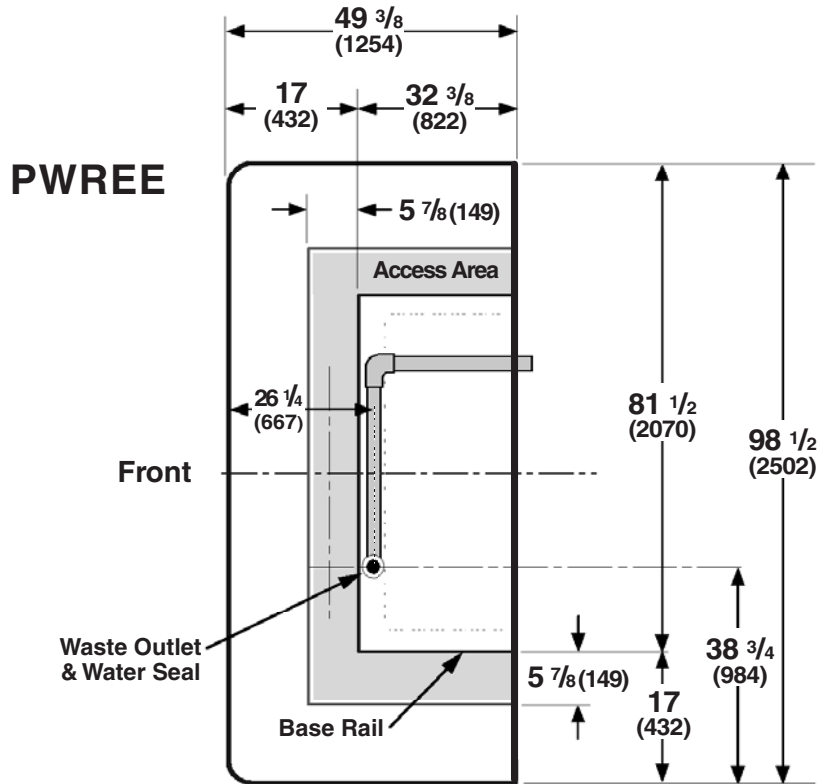
End Case for 98 Inch Produce Wide Island


11-2010

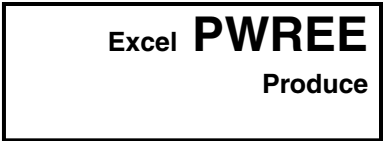
PHYSICAL DATA

Merchandiser Drip Pipe (in.)	1 1/2
Merchandiser Liquid Line (in.)	3/8
Merchandiser Suction Line (in.)	7/8

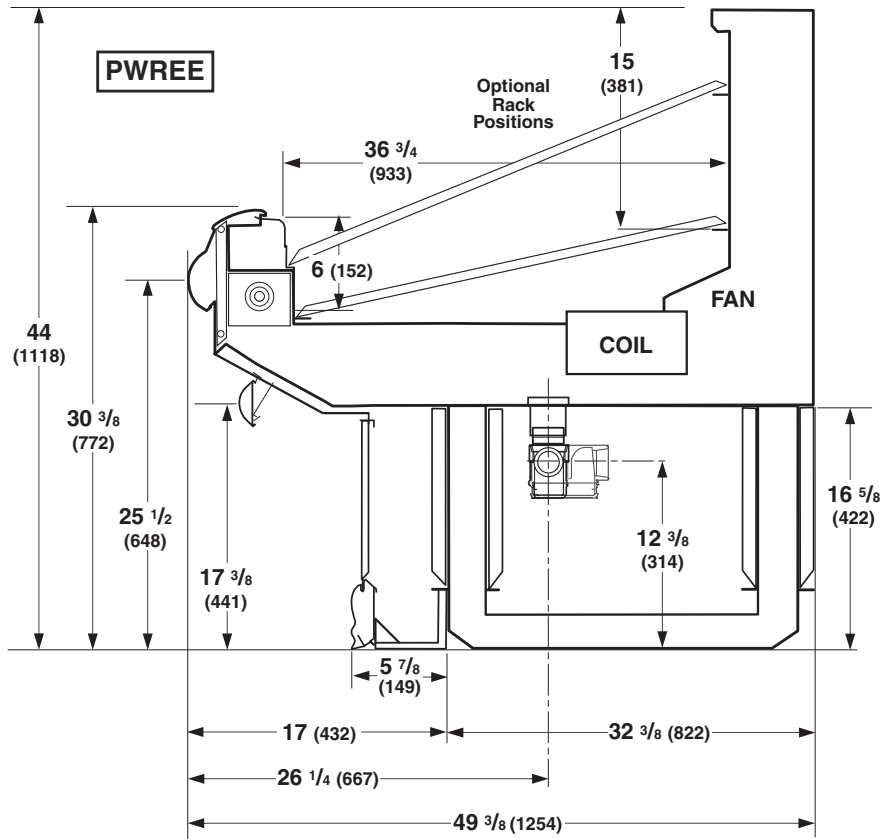
Dimensions are shown as inches & (mm).



General	END PWREE
Maximum outside dimension of case side to side (<i>includes bumper</i>)	98 1/2 (2502)
<i>Each Partition adds 1 1/2 in. (38 mm) to the length of the lineup.</i>	
Lefthand side of case to outside edge of righthand base rail	81 1/2 (2070)
Width of case	49 3/8 (1254)
Front of base rail to rear of case	32 3/8 (822)
Front of case to outside edge of base rail	17 (432)
Front of splashguard to outside edge of base rail	5 7/8 (149)
Width of base rail	2 1/8 (54)
Access area between front of base rail and splashguard	4 7/8 (124)
Waste Outlet 	
Front outside edge of case to center of waste outlet	26 1/4 (667)
Right outside edge of case to center of waste outlet	38 3/4 (984)



Dimensions are shown as inches & (mm).



NSF Certification

This merchandiser model is manufactured to meet ANSI/NSF (National Sanitation Foundation) Standard #7 requirements for construction, materials & cleanability.

REFRIGERATION DATA

Note: This data is based on store temperature and humidity that does not exceed 75°F and 55% R.H.

	PWREE
Discharge Air (°F)	32
Evaporator(°F)	24
Unit Sizing (°F)	22

Btu/hr/case	PWREE
Parallel	2845
Conventional	3140

DEFROST DATA

	PWREE
Frequency (hr)	6
Defrost Water (lb/ft/day)	8
(± 15% based on case configuration and product loading).	

OFFTIME	PWREE
Temp Term (°F)	N/A
Failsafe (minutes)	45
Standard Defrost Thermostat	NA

CONVENTIONAL CONTROLS

Low Pressure Backup Control	
CI/CO*	17°/7° F

Indoor Unit Only, Pressure Defrost	
Termination**	48° F

*Use a Temperature Pressure Chart to determine PSIG conversions.

PHYSICAL DATA

Estimated Charge (lb)**			
PWEE	1.1 lb	18 oz	1.1 kg

**This is an average for all refrigerant types. Actual refrigerant charge may vary by approximately 0.5 lb (8 oz / 0.2 kg).

Electrical Data

Number of Fans	PWWE
Refrigeration — 9W	1
Refrigeration — 9W (Export)	1

	Amperes	Watts
Merchandiser	PWWE	PWWE
Fans (Refrigeration)		
Standard (120V 60Hz)	0.77	62
Energy Efficient (120V 60Hz)	0.38	25
Export (230V 50 Hz)	0.47	70

Min. Circuit Ampacity	
With Standard Fans (120V 60Hz)	0.97
With Energy Efficient Fans (120V 60Hz)	0.58
With Export Fans (230V 50 Hz)	0.67

Maximum Over Current Protection 120V	20
Maximum Over Current Protection 230V	15

Standard Lighting

None

Optional Lighting

None

Optional Shelf Lighting

None

Product Data

<i>Recommended Usable Cube</i> ¹ (Cu Ft/Case)	52.35 ft ³ /case (1.48 m ³ /case)
<i>ARI Total Display Area</i> ² (Sq Ft/Case)	41.88 ft ² /case (3.89 m ² /case)
<i>Shelf Area</i> ³ (Sq Ft/Case)	45.28 ft ² /case (4.21 m ² /case)

¹ ARI Refrigerated Volume less shelving and other unusable space: Refrigerated Volume/Unit of Length, ft³/ft [m³/m]
² Computed using ARI 1200 standard methodology: Total Display Area, ft² [m²]/Unit of Length, ft [m]
³ Shelf surface area is composed of bottom deck plus standard shelf complement, as shown in the Hussmann *Product Reference Guide*. The standard shelf complement for this model is NONE.

<p>ESTIMATED SHIPPING WEIGHT⁴</p> <p>PWREE End Case</p> <p>300 (136)</p> <p>⁴ Actual weights will vary according to optional kits included.</p>

<p>Fan Wiring Offtime Defrost</p>
--

1 Fan



WARNING

All components must have a mechanical ground, and the merchandiser must be grounded.

CIRCLED NUMBERS = PARTS LIST ITEM NUMBERS

● = 120V POWER ○ = 120V NEUTRAL