

We reserve the right to change or revise specifications and product design in connection with any feature of our products. Such changes do not entitle the buyer to corresponding changes, improvements, additions or replacements for equipment previously sold or shipped.

Item	Part #	Description	Wiring Item #	Item	Part #	Description	Wiring Item #
FAN ASSEMBLIES AND THERMOSTATS				LAMPS AND BALLASTS (IN OPTIONAL LIGHT BAR)			
A.	4W	Standard Energy Efficient Fan Assembly	(1)	D.		Ballast, Electronic	(4)
	0477653	Fan Motor, Evaporator – 120V (MO.4410544)			0466234	2 lamps (BA.4480823)	
	0409511	Fan Blade (FB.0409511)		E.		Fluorescent Lamp	(5)
						<i>Replace with like fixtures</i>	
B.	0510349	Standard Adjustable Refrigeration Thermostat (CT.4441543)	(2)				
HEATERS							
C.		Nosing Anti-sweat Heater, 120V	(3)				
	0496493	8 ft (HE.4850736)					

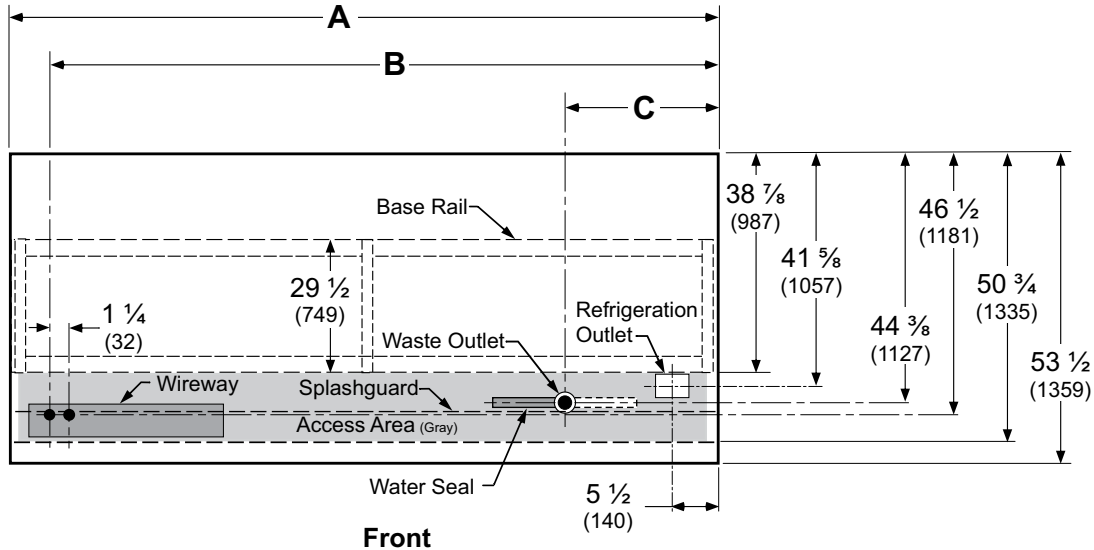
Revision C makes energy efficient fans standard, and adds DOE 2017 compliance. Other changes marked by bar, underline or circle.





Engineering Plan Views

PHYSICAL DATA	
Merchandiser Drip Pipe (in.)	1 1/4
Merchandiser Liquid Line (in.)	3/8
Merchandiser Suction Line (in.)	7/8

Dimensions shown as in. and (mm).

BEXD
11-2010



		8 ft
General		
(A) Case Length (<i>without ends or partitions</i>)		96 1/4 (2445)
<i>(each end or insulated partition adds 1 1/2 in. [38 mm]; each end with bumper adds 2 1/2 in. [64 mm])</i>		
Maximum O/S dimension back to front (<i>with bumper</i>)		53 1/2 (1359)
Back of case to front of splashguard		45 3/4 (1162)
Back of case to O/S edge of front skid rail		38 3/4 (984)
Width of skid rail		4 1/4 (108)
RH end of case to outside edge of external support		1 3/8 (35)
Distance between edges of external support and center support		44 5/8 (1135)
Stub-up area between front skid rail and splashguard		4 5/8 (117)
Electrical Service  (<i>Electrical Field Wiring connection point</i>)		
Length of electrical raceway		32 3/4 (831)
(B) RH End of case to center of farthest knockout		89 1/4 (2267)
Back of case to center of knockout		46 1/2 (1181)
RH End of case to RH end of raceway		57 1/2 (1460)
Waste Outlet 		
(C) RH End of case to the center of waste outlet		19 5/8 (498)
LH End of case to the center of waste outlet		76 5/8 (1946)
Back O/S of case to center of waste outlet		44 3/8 (1127)
Water Seal 		
Edge of water seal to center of waste outlet		13 (330)
Outside diameter of the drip pipe		1 1/4 (32)
Refrigeration Outlet 		
Back of case to center of refrigeration outlet		41 5/8 (1057)
RH end of case to center of refrigeration outlet		5 1/2 (140)

Single Deck, Extended Depth, Self-Service



Hussmann refrigerated merchandisers configured for sale for use in the United States meet or surpass the requirements of the DOE 2017 energy efficiency standards.

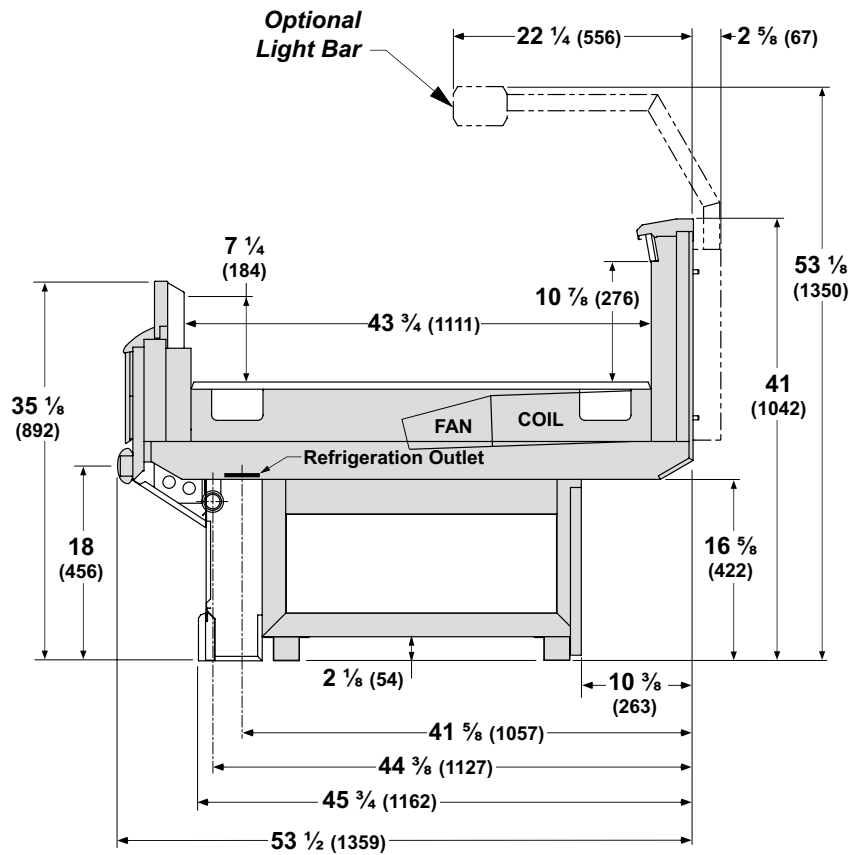
Excel **BEXD**
Bakery

REFRIGERATION DATA

Note: This data is based on store temperature and humidity that does not exceed 75°F and 55% R.H. Schedule defrost at night while lights are off.

Dimensions shown as in. and (mm).

BEXD



BEXD§

Discharge Air (°F)	31
Evaporator (°F)	21
Unit sizing (°F)	19

§ Average evaporator temperature shown. Use dew point for high glide refrigerants for unit sizing. Care should be taken to use the dew point in PT tables for measuring and adjusting superheat. Adjust evaporator pressure as needed to maintain discharge air temperature shown.

Btulhr/ft	BEXD
Parallel	446
Conventional	476

DEFROST DATA

BEXD

Frequency (hr)	12
Defrost Water (lb/ft/day)	2

(± 15% based on case configuration and product loading).

OFFTIME

Failsafe (minutes)	70
---------------------------	----

ELECTRIC OR GAS Not Available

Standard Defrost Thermostat NA

CONVENTIONAL CONTROLS

Low Pressure Backup Control

BEXD

CI/CO* 30°F/20°F

Indoor Unit Only, Pressure Defrost

Termination* 48°F

*Use a Temperature Pressure Chart to determine PSIG conversions.

Estimated Charge** **BEXD**

8 ft 2.7 lb 43 oz 1.2 kg

**This is an average for all refrigerant types. Actual refrigerant charge may vary by approximately 0.5 lb (8 oz / 0.2 kg).

NSF Certification

This merchandiser model is manufactured to meet NSF/ANSI (National Sanitation Foundation) Standard #7 requirements for construction, materials & cleanability.

Electrical Data

	8 ft	
Number of Fans – 4W	2	
	Amperes	Watts
	8 ft	8 ft
Evaporator Fans		
120V 50/60Hz Standard Energy Efficient	0.24	16
120V 60Hz Export	NA	
Nosing Anti-sweat Heaters (120V)	0.67	80
Minimum Circuit Ampacity		
120V 50/60Hz Standard Energy Efficient	1.11	
120V 60Hz Export	NA	
Maximum Over Circuit Protection 120V	20	
Lighting		
Standard 8 ft 12 ft	8 ft	

ONLY LIGHTING CONFIGURATIONS THAT ARE COMPLIANT WITH THE U.S. DEPT. OF ENERGY (DOE) 2017 REGULATION ARE AVAILABLE FOR SALE FOR USE IN THE U.S.A.

Optional Light Bar

1 Row Fluorescent Lamp	0.50	60
------------------------	------	----

Please note: some combinations of fluorescent lights on this case model may not be compliant with DOE 2017 and may not be available to order in the US and Canada. More lighting options are available with LED lights. The Hussmann Product Configurator will not allow lighting options that do not comply with the DOE 2017 standards.

Product Data

<i>Recommended Usable Cube</i> ¹ (Cu Ft/Ft)	2.85 ft ³ /ft (0.26 m ³ /m)
<i>ARI Total Display Area</i> ² (Sq Ft/Ft)	3.49 ft ² /ft (1.06 m ² /m)
<i>Shelf Area</i> ³ (Sq Ft/Ft)	3.77 ft ² /ft (1.15 m ² /m)

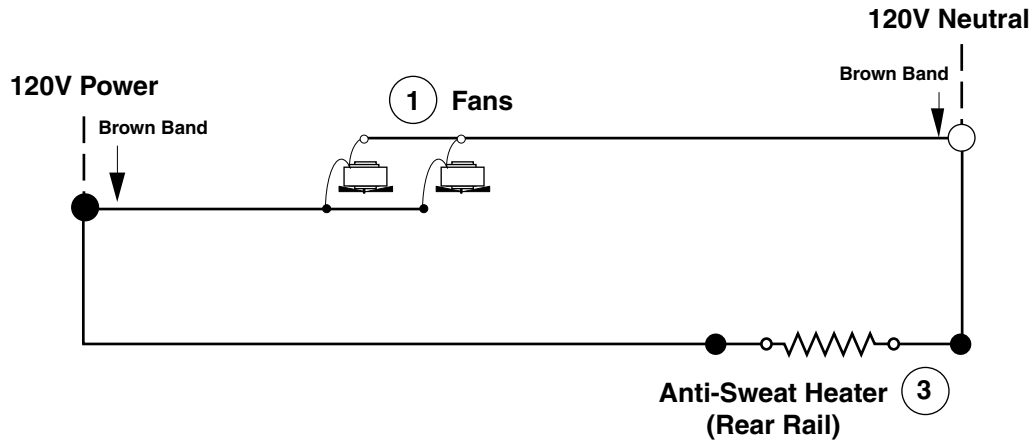
- ¹ ARI Refrigerated Volume less shelving and other unusable space: Refrigerated Volume / Unit of Length, ft³/ft [m³/m]
- ² Computed using ARI 1200 standard methodology: Total Display Area, ft² [m²] / Unit of Length, ft [m]
- ³ Shelf surface area is composed of bottom deck plus standard shelf complement, as shown in the Hussmann *Product Reference Guide*. The standard shelf complement for this model is *NONE*.

ESTIMATED SHIPPING WEIGHT ⁴		
Case	8 ft	End
lb (kg)	800 (363)	75 (43)
⁴ Actual weights will vary according to optional kits included.		

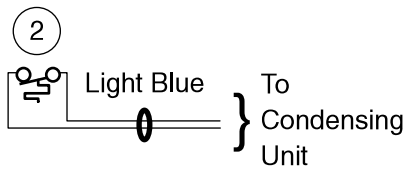
Fan Wiring Offtime Defrost

2 Fans

8 ft — 2 Fans



Refrigeration Thermostat



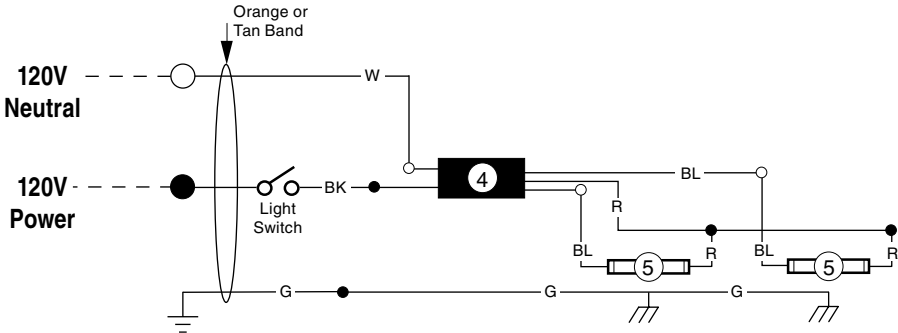
WARNING

All components must have mechanical ground, and the merchandiser must be grounded.
Circled numbers = Parts List Item Numbers

R = Red G = Green BL = Blue BK = Black W = White
 ● = 120V POWER ○ = 120V NEUTRAL ⊥ = FIELD GROUND ≡ = CASE GROUND

Standard Lighting — None

Optional Lighting — 1 Row Light Bar



Typical Ballast Wiring

Maximum lamps per ballast is three (3).
 Different case lengths will have more lamp ballasts.

WARNING

All components must have mechanical ground, and the merchandiser must be grounded.
 Circled numbers = Parts List Item Numbers

R = Red G = Green BL = Blue BK = Black W = White
 ● = 120V POWER ○ = 120V NEUTRAL ⊥ = FIELD GROUND ≡ = CASE GROUND