

We reserve the right to change or revise specifications and product design in connection with any feature of our products. Such changes do not entitle the buyer to corresponding changes, improvements, additions or replacements for equipment previously sold or shipped.

Item	Part #	Description	Wiring Item #	Item	Part #	Description	Wiring Item #
<b>FAN ASSEMBLIES AND THERMOSTATS</b>				<b>LED FIXTURES AND POWER SUPPLY</b>			
A.	0392457	Fan Motor, Evaporator (120V)	(1)	E.	0501213	Power Supply	(5)
	0420242	Fan Blade (120V) embossing toward motor		F.		LED Canopy Fixture <i>Replace with like fixtures</i>	(6)
B.	0137880	Optional Adjustable Refrigeration Thermostat	(2)	G.		LED Shelf Fixture <i>Replace with like fixtures</i>	(7)
<b>LAMPS AND BALLASTS</b>							
C.	Ballast, Electronic		(3)				
	0355716	<b>2 lamps</b> (120V)					
	0355398	<b>3 lamps</b> (120V)					
D.	Fluorescent Lamp		(4)				
		<i>Replace with like fixtures</i>					

Data sheet-Excel-SMGV

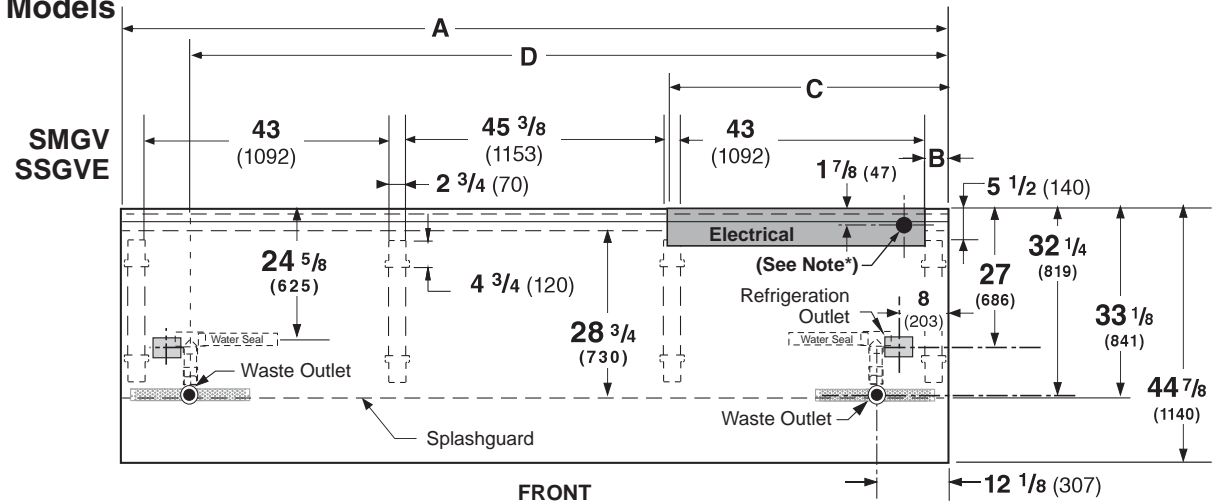
Note: Revision G: April 2017. Updated LED energy values. Other changes marked with a bar, circle or underline.




# Engineering Plan Views

PHYSICAL DATA	
Merchandiser Drip Pipe (in.)	1 1/2
Merchandiser Liquid Line (in.)	3/8
Merchandiser Suction Line (in.)	5/8

## Meat & Delicatessen Multi-Pane Flat Glass Models

Dimensions shown as in. and (mm).



	4 ft	6 ft	8 ft	12 ft
<b>General</b>				
<b>(A)</b> Case Length*	48 1/4 (1226)	72 1/4 (1835)	96 3/8 (2448)	144 1/2 (3670)
Maximum O/S dimension of case back to front (Note: Includes bumper)	44 7/8 (1140)	44 7/8 (1140)	44 7/8 (1140)	44 7/8 (1140)
Back of case to front of splashguard	33 1/8 (841)	33 1/8 (841)	33 1/8 (841)	33 1/8 (841)
Center of rear legs to center of front legs	23 1/2 (598)	23 1/2 (598)	25 1/2 (598)	25 1/2 (598)
Each End and Partition adds 1 1/2 in. (38 mm) to the length of the lineup.				
<b>Electrical Service</b> 				
<b>(B)</b> RH end of case to Electrical raceway right edge	3 7/8 (98)	3 7/8 (98)	3 7/8 (98)	3 7/8 (98)
<b>(C)</b> RH end of case to Electrical raceway left edge	41 3/8 (1051)	32 3/4 (831)	44 1/8 (1019)	44 1/2 (1131)
Back of case to center of knockout	1 7/8 (47)	1 7/8 (47)	1 7/8 (47)	1 7/8 (47)
* Electrical Field Wiring Connection Point				
<b>Waste Outlet</b> 				
<b>(D)</b> RH end of case to the center of LH waste outlet	36 1/4 (921)	60 1/4 (1530)	84 3/8 (2143)	132 1/2 (3366)
RH end of case to the center of RH waste outlet	12 1/8 (307)	12 1/8 (307)	12 1/8 (307)	12 1/8 (307)
Back O/S of case to center of waste outlet	32 1/4 (819)	32 1/4 (819)	32 1/4 (819)	32 1/4 (819)
Schedule 40 PVC drip pipe	1 1/4 (32)	1 1/4 (32)	1 1/4 (32)	1 1/4 (32)
** Field installed water seal outlets, tees, and connectors are shipped with the merchandiser.				
<b>Refrigeration Outlet</b> 				
Back of case to center of refrigeration outlet	27 (686)	27 (686)	27 (686)	27 (686)
RH end of case to center of refrigeration outlet	8 (203)	8 (203)	8 (203)	8 (203)
Outside diameter of the liquid line	3/8 (9.5)	3/8 (9.5)	3/8 (9.5)	3/8 (9.5)
Outside diameter of the suction line	5/8 (16)	5/8 (16)	5/8 (16)	5/8 (16)

Multi-Pane Flat Glass, Gravity /w Blower Assist, 3 Display Level



Hussmann refrigerated merchandisers configured for sale for use in the United States meet or surpass the requirements of the DOE 2017 energy efficiency standards.



**REFRIGERATION DATA**

**Note:** This data is based on store temperature and humidity that does not exceed 75°F and 55% R.H. Schedule defrost at night while lights are off.

	<b>SMGV§</b>
<b>Discharge Air (°F)</b>	25
<b>Evaporator (°F)</b>	20
<b>Unit Sizing (°F)</b>	18
§ Average evaporator temperature shown. Use dew point for high glide refrigerants for unit sizing. Care should be taken to use the dew point in PT tables for measuring and adjusting superheat. Adjust evaporator pressure as needed to maintain discharge air temperature shown.	
<b>Btu/hr/ft</b>	<b>SMGV</b>
<b>Parallel</b>	210
<b>Conventional</b>	220

**DEFROST DATA**

	<b>SMGV</b>
<b>Frequency (hr)</b>	24
<b>Defrost Water (lb/ft/day)</b>	0.10
(± 15% based on case configuration and product loading).	

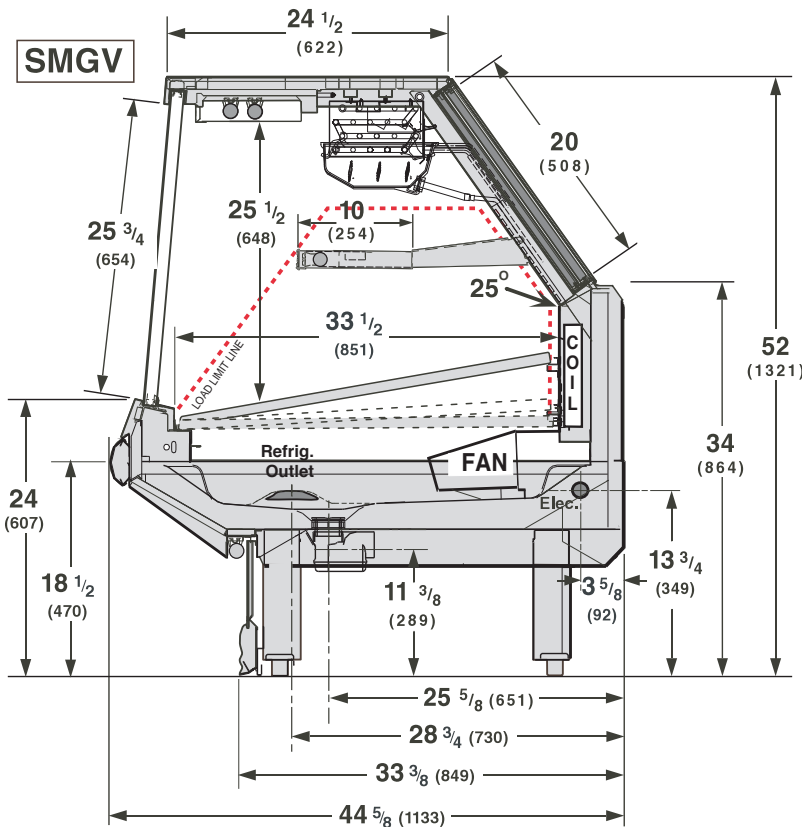
	<b>SMGV</b>
<b>OFFTIME (minutes)</b>	70
<b>Failsafe (minutes)</b>	90
<b>ELECTRIC OR GAS</b>	Not Recommended

**CONVENTIONAL CONTROLS**

<b>Low Pressure Backup Control</b>	<b>SMGV</b>
<b>CI/CO (Temp °F)*</b>	<b>13°F/3°F</b>
<b>Indoor Unit Only, Pressure Defrost Termination (Temp °F)**</b>	Not Recommended

\*Use a Temperature Pressure Chart to determine PSIG conversions.

Dimensions shown as in. and (mm).



**PHYSICAL DATA**

**Estimated Charge (lb)\*\***

<b>4 ft</b>	0.75 lb	12 oz	0.35 kg
<b>6 ft</b>	1.0 lb	16 oz	0.5 kg
<b>8 ft</b>	1.5 lb	24 oz	0.7 kg
<b>12 ft</b>	2.0 lb	32 oz	0.9 kg

\*\*This is an average for all refrigerant types. Actual refrigerant charge may vary by approximately 0.5 lb (8 oz / 0.2 kg).

**Length Added to Lineup by:**

<b>Each Plastic End w/ Bumper (in.)</b>	3 1/2
<b>Each End/Partition (in.)</b>	1 1/2

**NSF Certification**

This merchandiser model is manufactured to meet NSF/ANSI (National Sanitation Foundation) Standard #7 requirements for construction, materials & cleanability.

## Electrical Data

Number of Fans	4 ft	6 ft	8 ft	12 ft				
Refrigeration (120V 60hz) – 4W	1	2	2	3				
Export	NA	NA	NA	NA				
	<b>Amperes</b>				<b>Watts</b>			
<b>Merchandise</b>	<b>4 ft</b>	<b>6 ft</b>	<b>8 ft</b>	<b>12 ft</b>	<b>4 ft</b>	<b>6 ft</b>	<b>8 ft</b>	<b>12 ft</b>
<b>Refrigeration Fans</b>								
Standard (120V 60hz)	0.31	0.62	0.62	0.93	24	48	48	72
Energy Efficient (120V 60hz)	NA	NA	NA	NA	NA	NA	NA	NA
Export (230V 50 hz)	NA	NA	NA	NA	NA	NA	NA	NA
<b>Ambient Air Wipe Fans</b>	NA	NA	NA	NA	NA	NA	NA	NA
<b>Constant On Anti-sweat Heaters</b>	NA	NA	NA	NA	NA	NA	NA	NA
<b>Cycling Anti-sweat Heaters</b>	NA	NA	NA	NA	NA	NA	NA	NA
<b>Minimum Circuit Ampacity</b>								
With Standard Fans (120V 60hz)	0.77	1.34	1.34	1.91				
With Energy Efficient Fans (120V 60hz)	NA	NA	NA	NA				
With Export Fans (230V 50 hz)	NA	NA	NA	NA				
<b>Maximum Over Circuit Protection 120V</b>	<b>20</b>	<b>20</b>	<b>20</b>	<b>20</b>				
<b>Electric Defrost Heaters (208V)</b>	NA	NA	NA	NA	NA	NA	NA	NA
<b>Gas Defrost Heaters (208V)</b>	NA	NA	NA	NA	NA	NA	NA	NA
<b>Standard Lighting (T8 Fluorescent) (120V 60hz)</b>	<b>4 ft</b>	<b>6 ft</b>	<b>8 ft</b>	<b>12 ft</b>	<b>4 ft</b>	<b>6 ft</b>	<b>8 ft</b>	<b>12 ft</b>
2 Row Canopy	0.49	0.80	0.98	1.42	58	92	116	170
<b>ONLY LIGHTING CONFIGURATIONS THAT ARE COMPLIANT WITH THE U.S. DEPT. OF ENERGY (DOE) 2017 REGULATION ARE AVAILABLE FOR SALE FOR USE IN THE U.S.A.</b>								
<b>Optional Lighting (T8 Fluorescent)</b>								
Third Row of Canopy	0.49	0.40	0.49	0.71	58	46	58	85
1 Row Ledge	0.49	0.40	0.49	0.71	58	46	58	85
2 Row Shelves	0.49	0.80	0.98	1.42	58	92	116	170
<b>Ecoshine II</b>								
1 Row of Shelves	0.08	0.12	0.16	0.25	9.9	14.1	19.8	29.7
2 Rows of Shelves	0.16	0.23	0.33	0.49	19.8	28.2	39.5	59.3
Canopy 1 Row Front	0.08	0.12	0.16	0.25	9.9	14.1	19.8	29.7
Canopy 1 Row Front HO	0.14	0.19	0.28	0.42	16.7	23.2	33.4	50.1
Canopy 2 Row Front	0.16	0.23	0.33	0.49	19.8	28.2	39.5	59.3
Canopy 2 Row Front HO	0.28	0.39	0.56	0.84	33.4	46.4	66.8	100.2
1 Row Rear	0.09	0.13	0.17	0.26	10.2	15.3	20.5	30.7
1 Row Rear HO	0.14	0.19	0.28	0.42	16.7	23.2	33.4	50.1

115V Lighting Circuit Total = Standard Lighting + Total Optional Lighting + Optional Shelf Lighting

120V LED Lighting Circuit Total = Canopy Lighting + Shelf Lighting + Rail Lighting

230V Lighting Circuit Total = Multiplied 115V Lighting Circuit Total by 0.52

*Please note: some combinations of fluorescent lights on this case model may not be compliant with DOE 2017 and may not be available to order in the US and Canada. More lighting options are available with LED lights. The Hussmann Product Configurator will not allow lighting options that do not comply with the DOE 2017 standards.*

**Product Data**

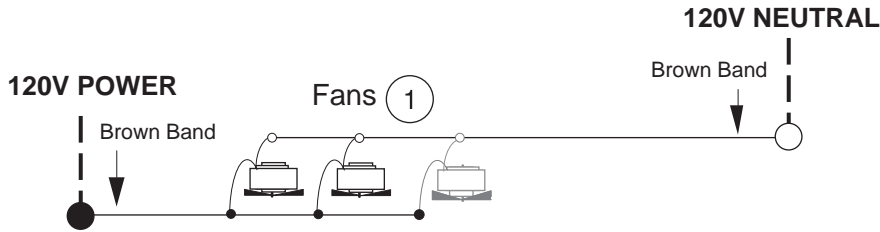
<i>Recommended Usable Cube</i> <sup>1</sup> (Cu Ft/Ft)	2.86 ft <sup>3</sup> /ft (0.27 m <sup>3</sup> /m)
<i>AHRI Total Display Area</i> <sup>2</sup> (Sq Ft/Ft)	3.34 ft <sup>2</sup> /ft (1.02 m <sup>2</sup> /m)
<i>Shelf Area</i> <sup>3</sup> (Sq Ft/Ft)	3.63 ft <sup>2</sup> /ft (1.10 m <sup>2</sup> /m)

- <sup>1</sup> AHRI Refrigerated Volume less shelving and other unusable space: Refrigerated Volume/Unit of Length, ft<sup>3</sup>/ft [m<sup>3</sup>/m]
- <sup>2</sup> Computed using AHRI 1200 standard methodology: Total Display Area, ft<sup>2</sup> [m<sup>2</sup>]/Unit of Length, ft [m]
- <sup>3</sup> Shelf surface area is composed of bottom deck plus standard shelf complement, as shown in the Hussmann *Product Reference Guide*. The standard shelf complement for this model is one 7-inch shelf and one 10-inch shelf.

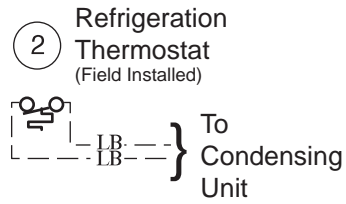
<b>ESTIMATED SHIPPING WEIGHT <sup>4</sup></b>						
<b>Case</b>					<b>Solid End</b>	<b>Glass / Plastic End</b>
	<i>4 ft</i>	<i>6 ft</i>	<i>8 ft</i>	<i>12 ft</i>	<i>(each)</i>	<i>(each)</i>
<b>lb (kg)</b>	700 (318)	800 (363)	900 (408)	1300 (590)	70 (32)	100 (45)
<sup>4</sup> Actual weights will vary according to optional kits included.						

# Fan Wiring Offtime Defrost

## Fans

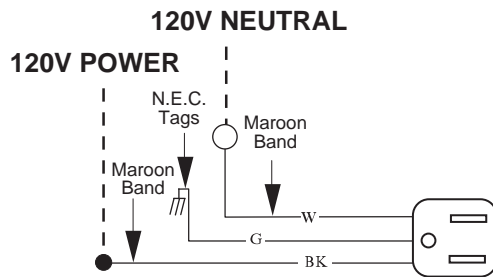


8 ft case has 2 Fans  
12 ft case has 3 Fans



# Receptacles

## Electric Service Receptacle

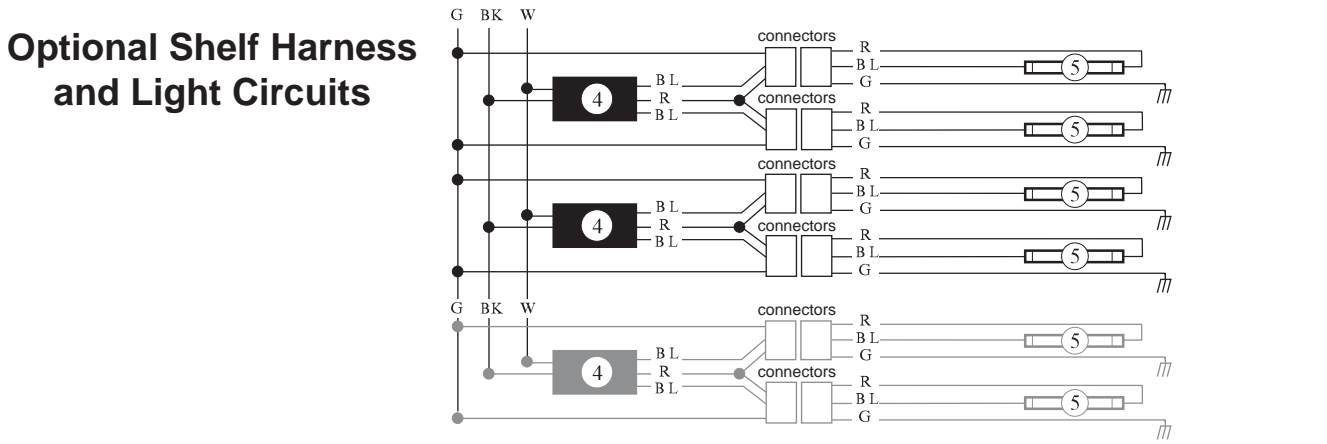
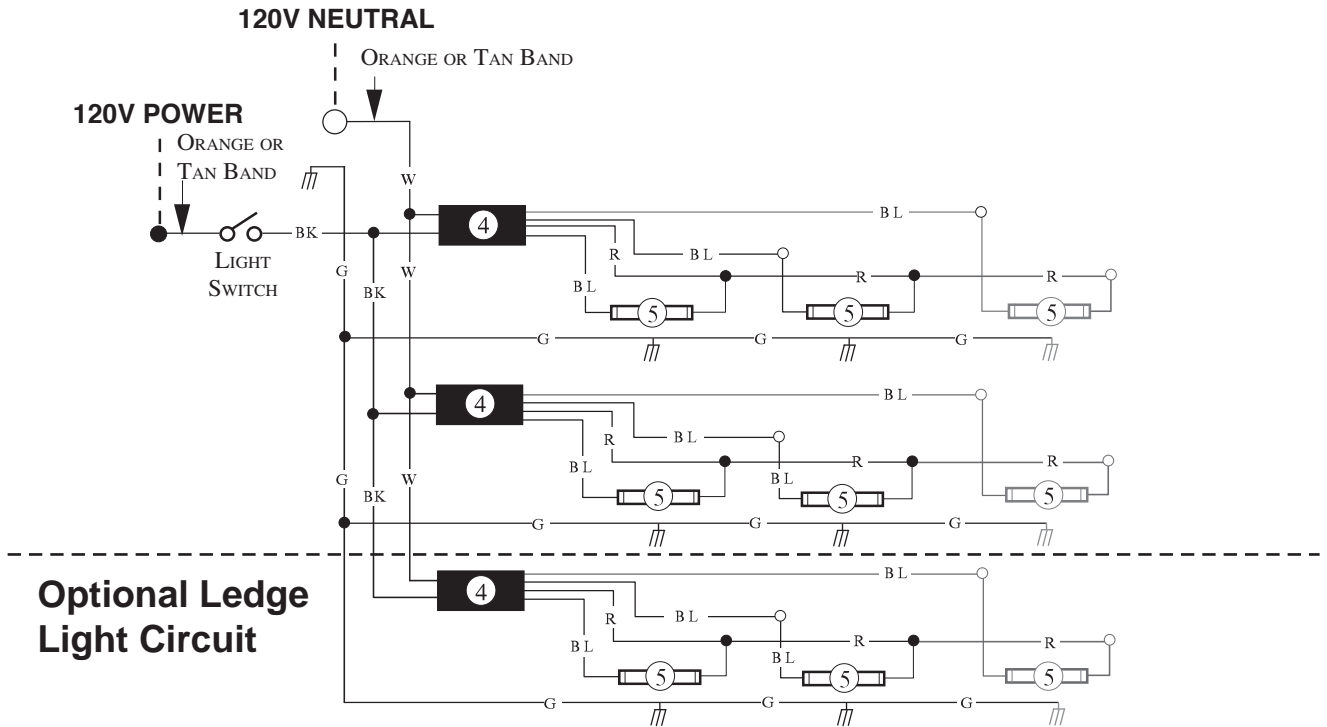


### WARNING

All components must have mechanical ground, and the merchandiser must be grounded.

Circled numbers = Parts list Item Numbers  
Grayed components in 12 foot models only.

- R = Red   G = Green   BL = Blue   LB = Light Blue   DB = Dark Blue   BK = Black   W = White  
 ● = 120V Power   ○ = 120V Neutral   ⊥ = Field Ground   ≡ = Case Ground



### WARNING

All components must have mechanical ground, and the merchandiser must be grounded.

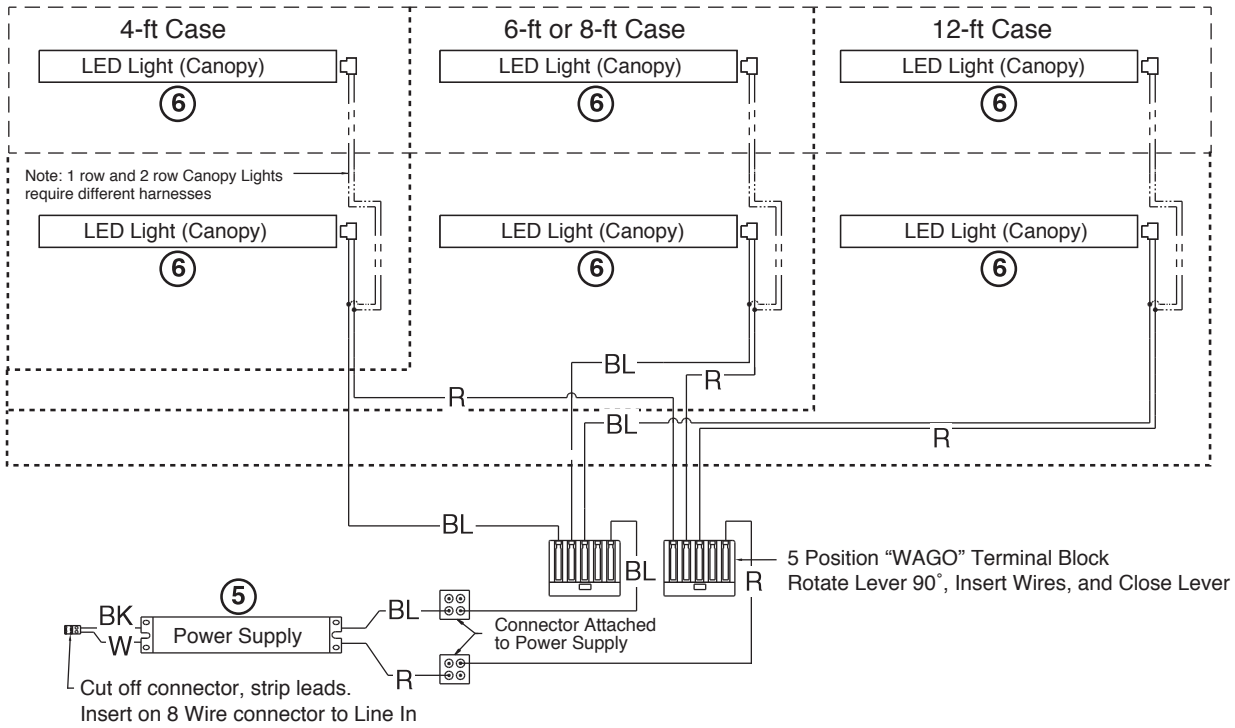
CIRCLED NUMBERS = PARTS LIST ITEM NUMBERS

GRAYED COMPONENTS IN 12 FOOT MODELS ONLY.

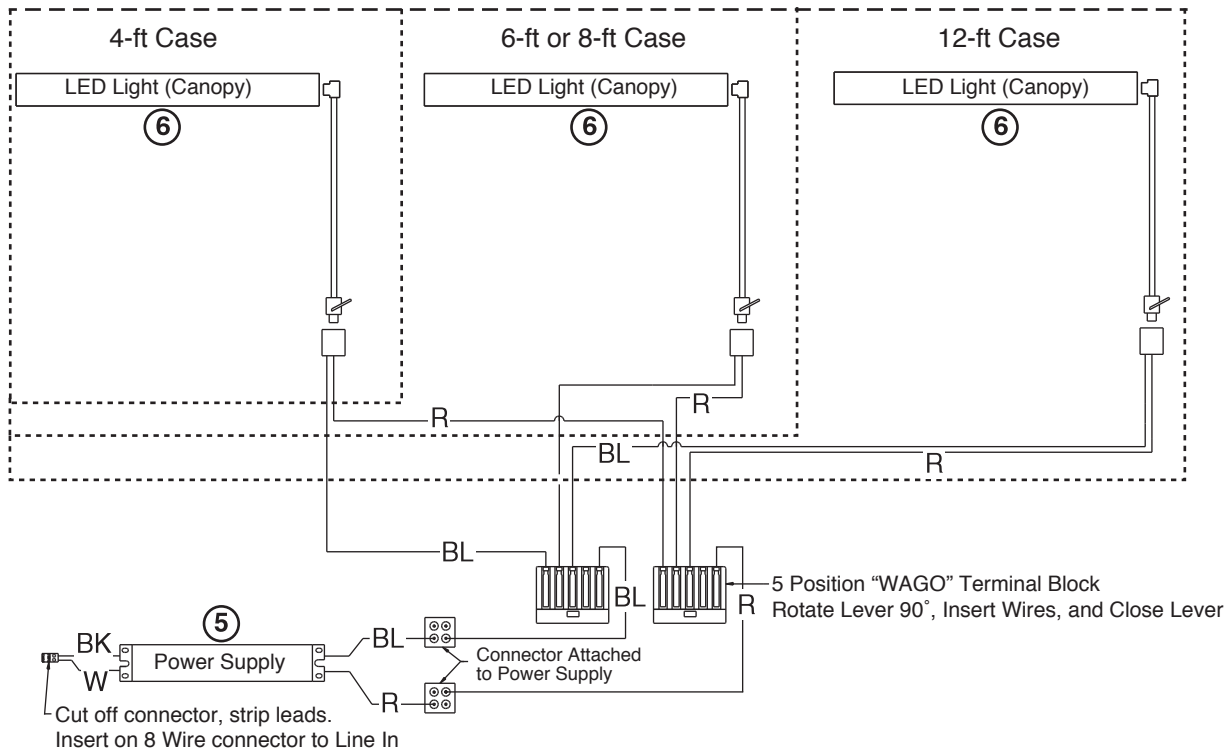
- R = Red      G = Green      BL = Blue      BK = Black      W = White
- = 120V POWER      ○ = 120V NEUTRAL      ⊥ = FIELD GROUND      ≡ = CASE GROUND

# Optional LED Lighting

## EcoShine II Service Case Front Canopy LED Wiring Diagram

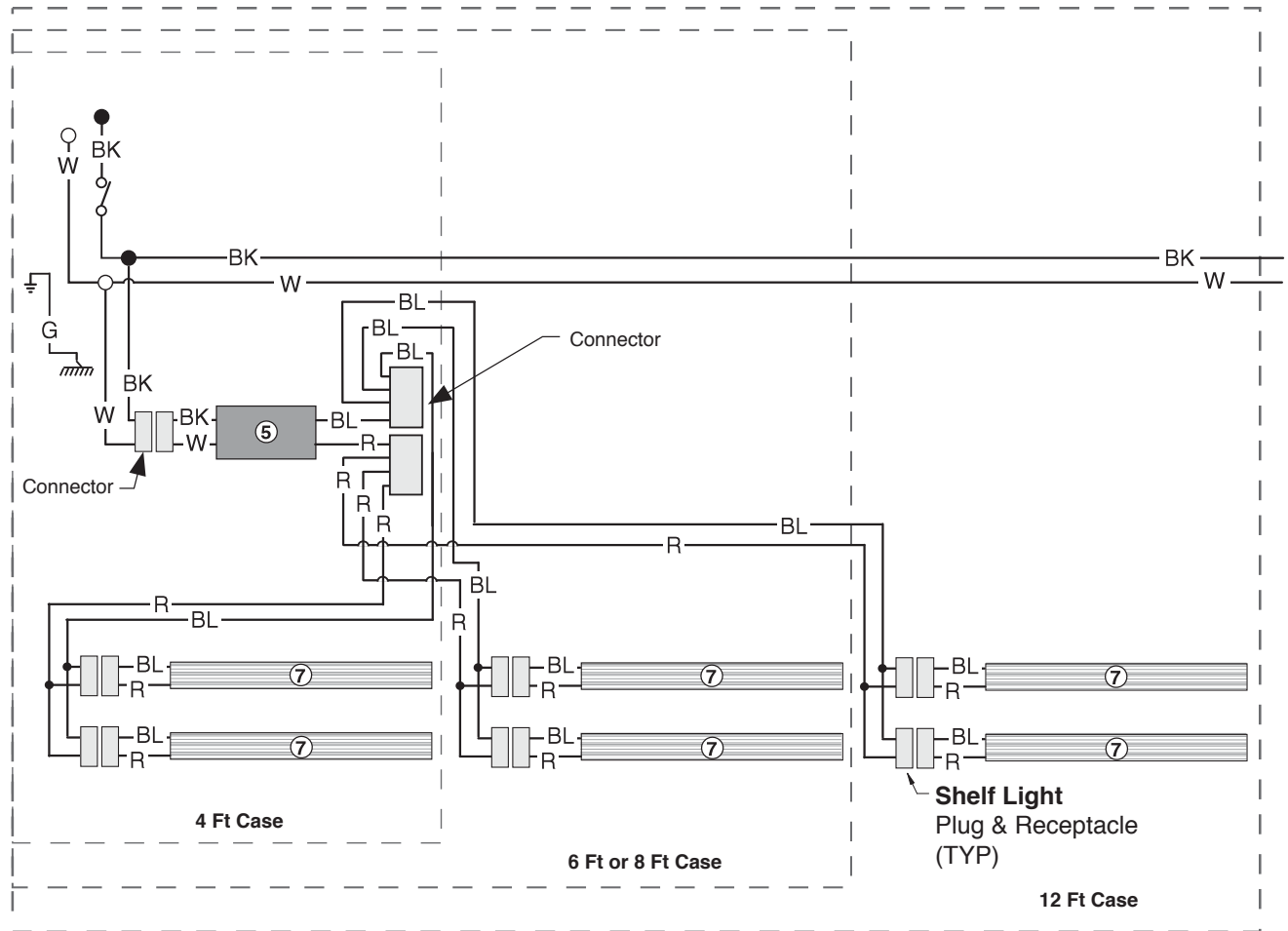


## EcoShine II Service Case Rear Canopy LED Wiring Diagram





**Optional Shelf Harness and LED Light Circuits for Two Rows of Shelves**



**WARNING**

All components must have mechanical ground, and the merchandiser must be grounded.

Circled Numbers = Parts List Item Numbers

R = Red G = Green BL = Blue BK = Black W = White

● = 120V Power ○ = 120V Neutral ⊥ = Field Ground ≡ = Case Ground