

We reserve the right to change or revise specifications and product design in connection with any feature of our products. Such changes do not entitle the buyer to corresponding changes, improvements, additions or replacements for equipment previously sold or shipped.

Item	Part #	Description	Wiring Item #	Item	Part #	Description	Wiring Item #
FAN ASSEMBLIES AND THERMOSTATS				LAMPS AND BALLASTS			
A.	0137880	Optional Adjustable Refrigeration Thermostat (CT.4481084)	(1)	B.	Electronic Ballast 0355716	2 lamps (120V) (BA.0355716)	(2)
					0355398	3 lamps (120V) (BA.4480118)	
				C.	Fluorescent Lamp	Replace with like fixtures	(3)

NOTE: Revision B updates plan view on page 2 and cross section on page 3

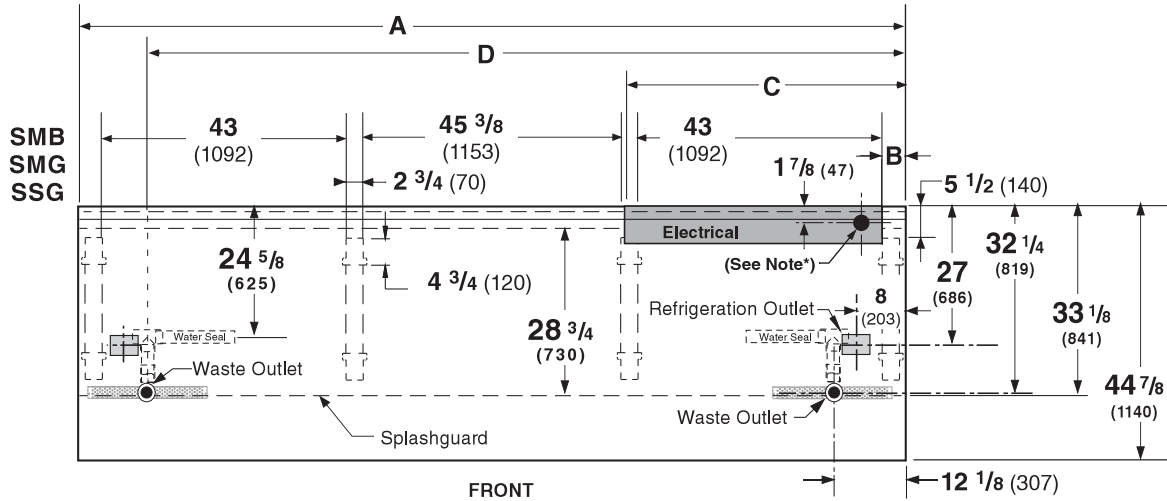





Engineering Plan Views

PHYSICAL DATA	
Merchandiser Drip Pipe (in.)	1 1/2
Merchandiser Liquid Line (in.)	3/8
Merchandiser Suction Line (in.)	5/8

Seafood, Meat & Delicatessen Multi-Pane Flat Glass Gravity with Extra Serpentine Model

Dimensions shown as in. and (mm).



	4 ft	6 ft	8 ft	12 ft
General				
(A) Case Length*	48 1/4 (1226)	72 1/4 (1835)	96 3/8 (2448)	144 1/2 (3670)
Maximum O/S dimension of case back to front (Note: Includes bumper)	44 7/8 (1140)	44 7/8 (1140)	44 7/8 (1140)	44 7/8 (1140)
Back of case to front of splashguard	33 1/8 (841)	33 1/8 (841)	33 1/8 (841)	33 1/8 (841)
Center of rear legs to center of front legs	23 1/2 (598)	23 1/2 (598)	25 1/2 (598)	25 1/2 (598)
Each End and Partition adds 1 1/2 in. (38 mm) to the length of the lineup.				
Electrical Service 				
(B) RH end of case to Electrical raceway right edge	3 7/8 (98)	3 7/8 (98)	3 7/8 (98)	3 7/8 (98)
(C) RH end of case to Electrical raceway left edge	41 3/8 (1051)	32 3/4 (831)	44 1/8 (1019)	44 1/2 (1131)
Back of case to center of knockout	1 7/8 (47)	1 7/8 (47)	1 7/8 (47)	1 7/8 (47)
* Electrical Field Wiring Connection Point				
Waste Outlet 				
(D) RH end of case to the center of LH waste outlet	36 1/4 (921)	60 1/4 (1530)	84 3/8 (2143)	132 1/2 (3366)
RH end of case to the center of RH waste outlet	12 1/8 (307)	12 1/8 (307)	12 1/8 (307)	12 1/8 (307)
Back O/S of case to center of waste outlet	32 1/4 (819)	32 1/4 (819)	32 1/4 (819)	32 1/4 (819)
Schedule 40 PVC drip pipe	1 1/4 (32)	1 1/4 (32)	1 1/4 (32)	1 1/4 (32)
** Field installed water seal outlets, tees, and connectors are shipped with the merchandiser.				
Refrigeration Outlet 				
Back of case to center of refrigeration outlet	27 (686)	27 (686)	27 (686)	27 (686)
RH end of case to center of refrigeration outlet	8 (203)	8 (203)	8 (203)	8 (203)
Outside diameter of the liquid line	3/8 (9.5)	3/8 (9.5)	3/8 (9.5)	3/8 (9.5)
Outside diameter of the suction line	5/8 (16)	5/8 (16)	5/8 (16)	5/8 (16)

Excel SSGVE
Seafood/Meat/Delicatessen

REFRIGERATION DATA

Note: This data is based on store temperature and humidity that does not exceed 75°F and 55% R.H. Schedule defrost at night while lights are off.

	SSGVE
Discharge Air (°F)	24
Evaporator (°F)	22
Unit Sizing (°F)	20
Btu/hr/ft*	SSGVE
Parallel	170
Conventional	180

*For all refrigeration equipment other than Hussmann, use conventional Btu values.

DEFROST DATA

	SSGVE
Frequency (hr)	24
Defrost Water (lb/ft/day)	0.10
<small>(± 15% based on case configuration and product loading).</small>	
OFFTIME (minutes)	70
Temp Term (°F)	90
Failsafe (minutes)	90

ELECTRIC OR GAS
Not Recommended

Standard Defrost Thermostat NA

CONVENTIONAL CONTROLS

Low Pressure Backup Control SSGVE
CI/CO (Temp °F)** 15°F / 5°F
Indoor Unit Only, Pressure Defrost Termination (Temp °F)**

Not Recommended

**Use a Temperature Pressure Chart to determine PSIG conversions.

PHYSICAL DATA

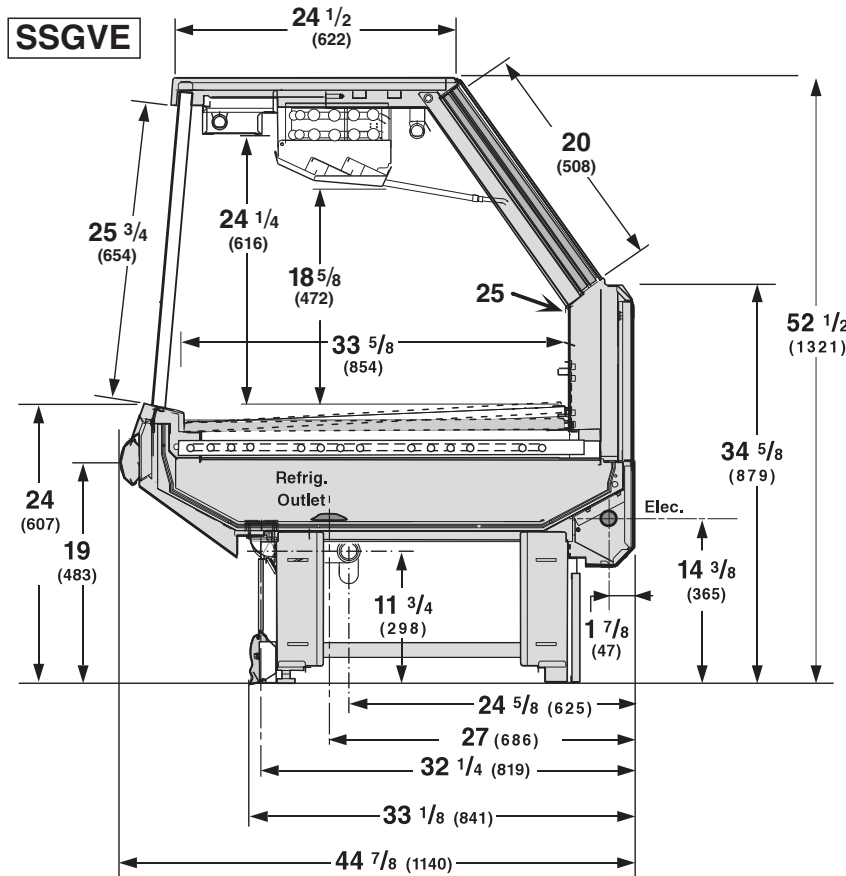
Estimated Charge (lb)**			
4 ft	0.85 lb	13.5 oz	0.4 kg
6 ft	1.25 lb	20 oz	0.6 kg
8 ft	1.7 lb	27 oz	0.8 kg
12 ft	2.5 lb	40 oz	1.1 kg

**This is an average for all refrigerant types. Actual refrigerant charge may vary by approximately 0.5 lb (8 oz / 0.2 kg).

Length Added to Lineup by:

Each Plastic End w/ Bumper (in.) 3 1/2
Each End/Partition (in.) 1 1/2

Dimensions shown as in. and (mm).



NSF Certification

This merchandiser model is manufactured to meet ANSI/NSF (National Sanitation Foundation) Standard #7 requirements for construction, materials & cleanability.

Electrical Data

Number of Fans	4 ft	6 ft	8 ft	12 ft
Refrigeration – 4W	None			
Export – 9W	None			

Merchandise	Amperes				Watts			
	4 ft	6 ft	8 ft	12 ft	4 ft	6 ft	8 ft	12 ft
Fans								
Standard (120V/60hz)	NA							
Energy Efficient (120V/60hz)	NA							
Ambient Air Wipe (120V/60hz)	NA							
Export: (230V/50 hz)	NA							

Constant On Anti-sweat Heaters NA

Cycling Anti-sweat Heaters NA

Minimum Circuit Ampacity

With Standard Fans	NA
With Energy Efficient Fans	NA
With Export: 230V 50 hz Fans	NA

Maximum Over Current Protection (120V) 20 20 20 20

Electric Defrost Heaters (208V) NA

Gas Defrost Heaters (208V) NA

Lighting	4 ft	6 ft	8 ft	12 ft	4 ft	6 ft	8 ft	12 ft
Standard								
2 Row Canopy (one front, one rear)	0.49	0.80	0.98	1.42	58	92	116	170
Optional								
1 Row Ledge	0.49	0.40	0.49	0.71	58	46	58	85
3 Row Canopy (two front, one rear)	0.98	0.80	1.47	2.13	116	138	174	255

Product Data

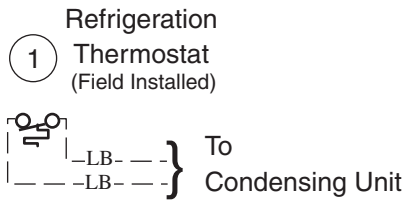
<i>Recommended Usable Cube</i> ¹ (Cu Ft/Ft)	3.14 ft ³ /ft (0.29 m ³ /m)
<i>ARI Total Display Area</i> ² (Sq Ft/Ft)	2.15 ft ² /ft (0.65 m ² /m)
<i>Shelf Area</i> ³ (Sq Ft/Ft)	2.79 ft ² /ft (0.85 m ² /m)

- ¹ ARI Refrigerated Volume less shelving and other unusable space: Refrigerated Volume/Unit of Length, ft³/ft [m³/m]
² Computed using ARI 1200 standard methodology: Total Display Area, ft² [m²]/Unit of Length, ft [m]
³ Shelf surface area is composed of bottom deck plus standard shelf complement, as shown in the Hussmann *Product Reference Guide*. The standard shelf complement for this model is one 7-inch shelf and one 10-inch shelf.

ESTIMATED SHIPPING WEIGHT ⁴						
Case					Solid End	Glass / Plastic End
	<i>4 ft</i>	<i>6 ft</i>	<i>8 ft</i>	<i>12 ft</i>	<i>(each)</i>	<i>(each)</i>
lb (kg)	700 (318)	800 (363)	900 (408)	1300 (590)	70 (32)	100 (45)

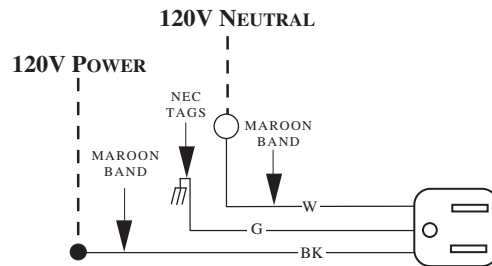
⁴ Actual weights will vary according to optional kits included.

Thermostat



Receptacles

Electrical Service Receptacle



WARNING

All components must have mechanical ground, and the merchandiser must be grounded.

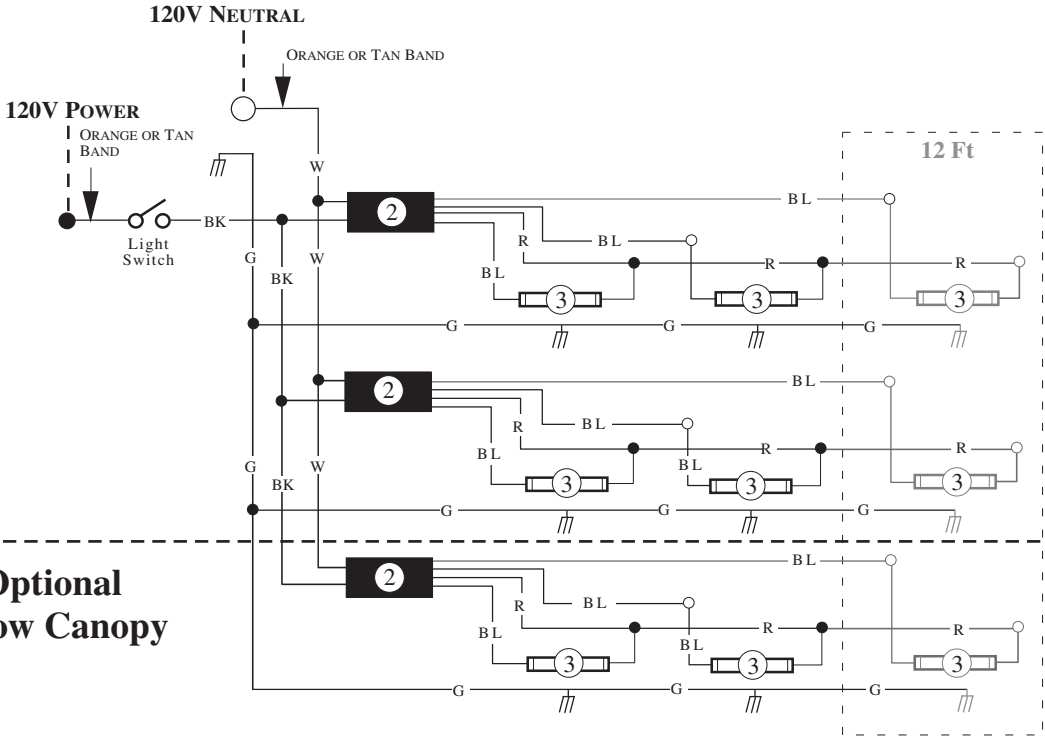
CIRCLED NUMBERS = PARTS LIST ITEM NUMBERS

Grayed components in 12 foot models only.

R = Red G = Green BL = Blue LB = Light Blue DB = Dark Blue BK = Black W = White

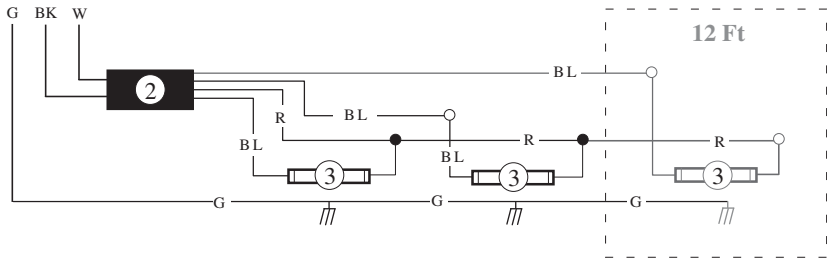
● = 120V POWER ○ = 120V NEUTRAL ≡ = Field GROUND ≡ = Case GROUND

Standard Lighting 2 Row Canopy



Optional 3 Row Canopy

Optional Ledge Light Circuit



WARNING

All components must have mechanical ground, and the merchandiser must be grounded.

Circled Numbers = Parts List Item Numbers

Grayed components in 12 foot models only.

R = Red G = Green BL = Blue BK = Black W = White

● = 120V POWER ○ = 120V NEUTRAL ≡ = Field Ground ≡ = Case Ground