

We reserve the right to change or revise specifications and product design in connection with any feature of our products. Such changes do not entitle the buyer to corresponding changes, improvements, additions or replacements for equipment previously sold or shipped.

Item	Part #	Description	Wiring Item #	Item	Part #	Description	Wiring Item #
FAN ASSEMBLIES AND THERMOSTATS				LED FIXTURES AND POWER SUPPLY			
A.	0137880	Optional Adjustable Refrigeration Thermostat	(1)	D.	0501213	Power Supply	(4)
				E.		LED Canopy Fixture	(5)
						<i>Replace with like fixtures</i>	
LAMPS AND BALLASTS							
B.	Electronic Ballast		(2)				
	0355716	2 lamps (120V)					
	0355398	3 lamps (120V)					
C.	Fluorescent Lamp		(3)				
		<i>Replace with like fixtures</i>					

Data sheet-Excel-SSGVE

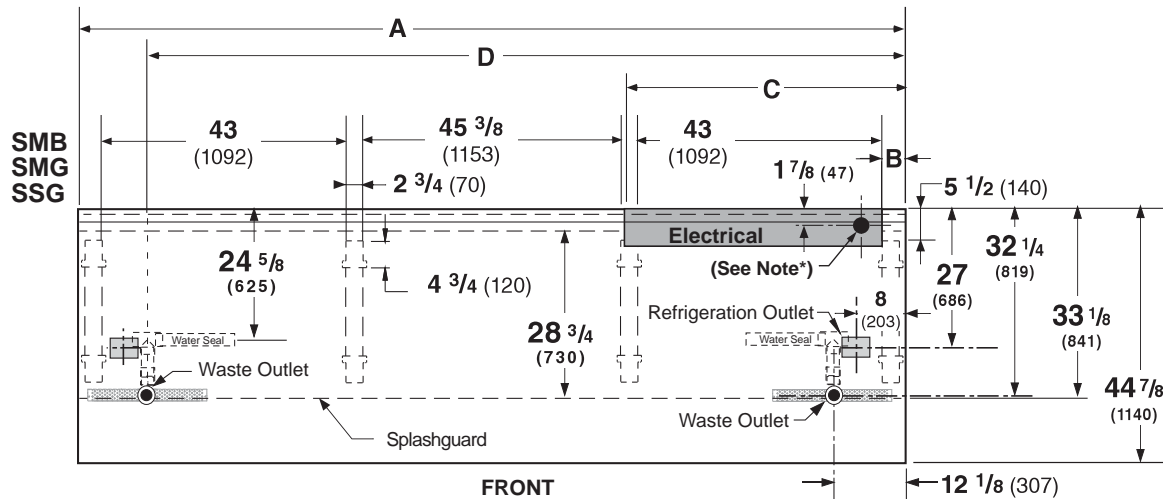
Note: Revision F: April 2017. Updated LED energy values. Other changes marked with a bar, circle or underline.

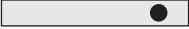

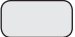
Engineering Plan Views

PHYSICAL DATA	
Merchandiser Drip Pipe (in.)	1 1/2
Merchandiser Liquid Line (in.)	3/8
Merchandiser Suction Line (in.)	5/8

Seafood, Meat & Delicatessen Multi-Pane Flat Glass Gravity with Extra Serpentine Model

Dimensions shown as in. and (mm).



	4 ft	6 ft	8 ft	12 ft
General				
(A) Case Length*	48 1/4 (1226)	72 1/4 (1835)	96 3/8 (2448)	144 1/2 (3670)
Maximum O/S dimension of case back to front (Note: Includes bumper)	44 7/8 (1140)	44 7/8 (1140)	44 7/8 (1140)	44 7/8 (1140)
Back of case to front of splashguard	33 1/8 (841)	33 1/8 (841)	33 1/8 (841)	33 1/8 (841)
Center of rear legs to center of front legs	23 1/2 (598)	23 1/2 (598)	25 1/2 (598)	25 1/2 (598)
Each End and Partition adds 1 1/2 in. (38 mm) to the length of the lineup.				
Electrical Service 				
(B) RH end of case to Electrical raceway right edge	3 7/8 (98)	3 7/8 (98)	3 7/8 (98)	3 7/8 (98)
(C) RH end of case to Electrical raceway left edge	41 3/8 (1051)	32 3/4 (831)	44 1/8 (1019)	44 1/2 (1131)
Back of case to center of knockout	1 7/8 (47)	1 7/8 (47)	1 7/8 (47)	1 7/8 (47)
* Electrical Field Wiring Connection Point				
Waste Outlet 				
(D) RH end of case to the center of LH waste outlet	36 1/4 (921)	60 1/4 (1530)	84 3/8 (2143)	132 1/2 (3366)
RH end of case to the center of RH waste outlet	12 1/8 (307)	12 1/8 (307)	12 1/8 (307)	12 1/8 (307)
Back O/S of case to center of waste outlet	32 1/4 (819)	32 1/4 (819)	32 1/4 (819)	32 1/4 (819)
Schedule 40 PVC drip pipe	1 1/4 (32)	1 1/4 (32)	1 1/4 (32)	1 1/4 (32)
** Field installed water seal outlets, tees, and connectors are shipped with the merchandiser.				
Refrigeration Outlet 				
Back of case to center of refrigeration outlet	27 (686)	27 (686)	27 (686)	27 (686)
RH end of case to center of refrigeration outlet	8 (203)	8 (203)	8 (203)	8 (203)
Outside diameter of the liquid line	3/8 (9.5)	3/8 (9.5)	3/8 (9.5)	3/8 (9.5)
Outside diameter of the suction line	5/8 (16)	5/8 (16)	5/8 (16)	5/8 (16)

Multi-Pane Flat Glass, Gravity, Extra Serpentine, 1 Display Level

DOE 2017 Energy Efficiency Compliant Hussmann refrigerated merchandisers configured for sale for use in the United States meet or surpass the requirements of the DOE 2017 energy efficiency standards.



REFRIGERATION DATA

Note: This data is based on store temperature and humidity that does not exceed 75°F and 55% R.H. Schedule defrost at night while lights are off.

	SSGVE§
Discharge Air (°F)	24
Evaporator (°F)	22
Unit Sizing (°F)	20
§ Average evaporator temperature shown. Use dew point for high glide refrigerants for unit sizing. Care should be taken to use the dew point in PT tables for measuring and adjusting superheat. Adjust evaporator pressure as needed to maintain discharge air temperature shown.	
Btu/hr/ft	SSGVE
Parallel	170
Conventional	180

DEFROST DATA

	SSGVE
Frequency (hr)	24
Defrost Water (lb/ft/day)	0.10
(± 15% based on case configuration and product loading).	
OFFTIME (minutes)	70
Temp Term (°F)	
Failsafe (minutes)	90

ELECTRIC OR GAS Not Recommended
Standard Defrost Thermostat NA

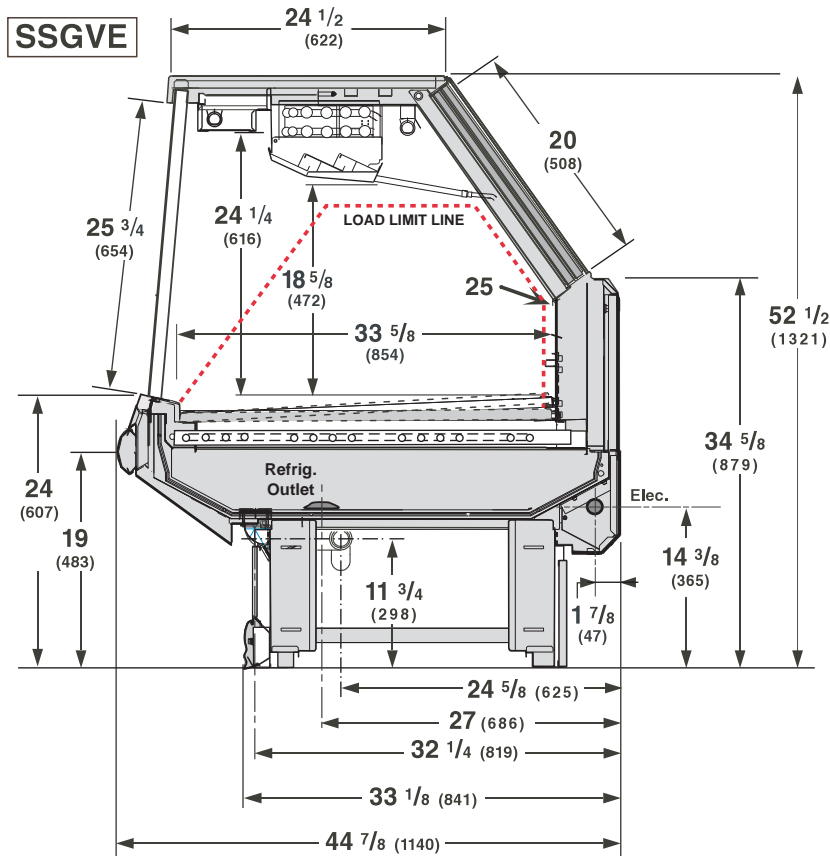
CONVENTIONAL CONTROLS

Low Pressure Backup Control SSGVE
CI/CO (Temp °F)** 15°F / 5°F

Indoor Unit Only, Pressure Defrost Termination (Temp °F)**

Not Recommended
 **Use a Temperature Pressure Chart to determine PSIG conversions.

Dimensions shown as in. and (mm).



PHYSICAL DATA

Estimated Charge (lb)**

4 ft	0.85 lb	13.5 oz	0.4 kg
6 ft	1.25 lb	20 oz	0.6 kg
8 ft	1.7 lb	27 oz	0.8 kg
12 ft	2.5 lb	40 oz	1.1 kg

**This is an average for all refrigerant types. Actual refrigerant charge may vary by approximately 0.5 lb (8 oz / 0.2 kg).

Length Added to Lineup by:

Each Plastic End w/ Bumper (in.)	3 1/2
Each End/Partition (in.)	1 1/2

NSF Certification

This merchandiser model is manufactured to meet NSF/ANSI (National Sanitation Foundation) Standard #7 requirements for construction, materials & cleanability.

Electrical Data

Number of Fans	4 ft	6 ft	8 ft	12 ft
Refrigeration – 4W	None			
Export – 9W	None			

Merchandiser	Amperes				Watts			
	4 ft	6 ft	8 ft	12 ft	4 ft	6 ft	8 ft	12 ft
Fans								
Standard (120V/60Hz)	NA							
Energy Efficient (120V/60Hz)	NA							
Ambient Air Wipe (120V/60Hz)	NA							
Export: (230V/50Hz)	NA							
Constant On Anti-sweat Heaters	NA							
Cycling Anti-sweat Heaters	NA							
Minimum Circuit Ampacity								
With Standard Fans	NA							
With Energy Efficient Fans	NA							
With Export: 230V 50Hz Fans	NA							
Maximum Over Current Protection (120V)	20	20	20	20				
Electric Defrost Heaters (208V)	NA							
Gas Defrost Heaters (208V)	NA							

ONLY LIGHTING CONFIGURATIONS THAT ARE COMPLIANT WITH THE U.S. DEPT. OF ENERGY (DOE) 2017 REGULATION ARE AVAILABLE FOR SALE FOR USE IN THE U.S.A.

Lighting	4 ft	6 ft	8 ft	12 ft	4 ft	6 ft	8 ft	12 ft
Standard Fluorescent								
2 Row Canopy (one front, one rear)	0.49	0.80	0.98	1.42	58	92	116	170
Optional Fluorescent								
1 Row Ledge	0.49	0.40	0.49	0.71	58	46	58	85
3 Row Canopy (two front, one rear)	0.98	0.80	1.47	2.13	116	138	174	255
Optional Ecoshine II								
Canopy 1 Row Front & Rear Gravity	0.16	0.23	0.33	0.49	19.8	28.2	39.5	59.3
Canopy 1 Row Front & Rear Gravity HO	0.28	0.39	0.56	0.84	33.4	46.4	66.8	100.2

115V Lighting Circuit Total = Standard Lighting + Total Optional Lighting + Optional Shelf Lighting

120V LED Lighting Circuit Total = Canopy Lighting + Shelf Lighting + Rail Lighting

230V Lighting Circuit Total = Multiply 115V Lighting Circuit Total by 0.52

Please note: some combinations of fluorescent lights on this case model may not be compliant with DOE 2017 and may not be available to order in the US and Canada. More lighting options are available with LED lights. The Hussmann Product Configurator will not allow lighting options that do not comply with the DOE 2017 standards.

Product Data

<i>Recommended Usable Cube</i> ¹ (Cu Ft/Ft)	3.14 ft ³ /ft (0.29 m ³ /m)
<i>AHRI Total Display Area</i> ² (Sq Ft/Ft)	3.34 ft ² /ft (1.02 m ² /m)
<i>Shelf Area</i> ³ (Sq Ft/Ft)	2.79 ft ² /ft (0.85 m ² /m)

¹ AHRI Refrigerated Volume less shelving and other unusable space: Refrigerated Volume/Unit of Length, ft³/ft [m³/m]

² Computed using AHRI 1200 standard methodology: Total Display Area, ft² [m²]/Unit of Length, ft [m]

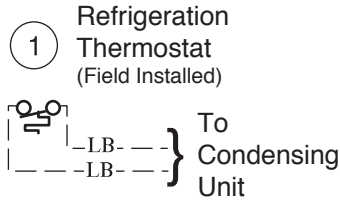
³ Shelf surface area is composed of bottom deck plus standard shelf complement, as shown in the Husmann *Product Reference Guide*. The standard shelf complement for this model is one 7-inch shelf and one 10-inch shelf.

ESTIMATED SHIPPING WEIGHT ⁴

Case					Solid End	Glass / Plastic End
	<i>4 ft</i>	<i>6 ft</i>	<i>8 ft</i>	<i>12 ft</i>	<i>(each)</i>	<i>(each)</i>
lb (kg)	700 (318)	800 (363)	900 (408)	1300 (590)	70 (32)	100 (45)

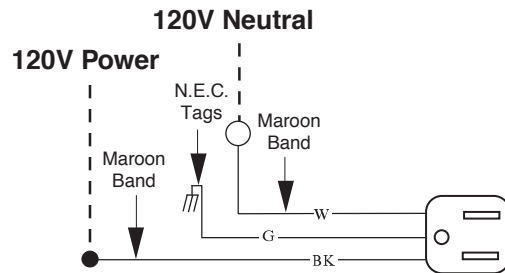
⁴ Actual weights will vary according to optional kits included.

Thermostat



Receptacles

Electric Service Receptacle



WARNING

All components must have mechanical ground, and the merchandiser must be grounded.

Circled numbers = Parts list Item Numbers

R = Red G = Green BL = Blue LB = Light Blue DK = Dark Blue BK = Black W = White

● = 120V Power

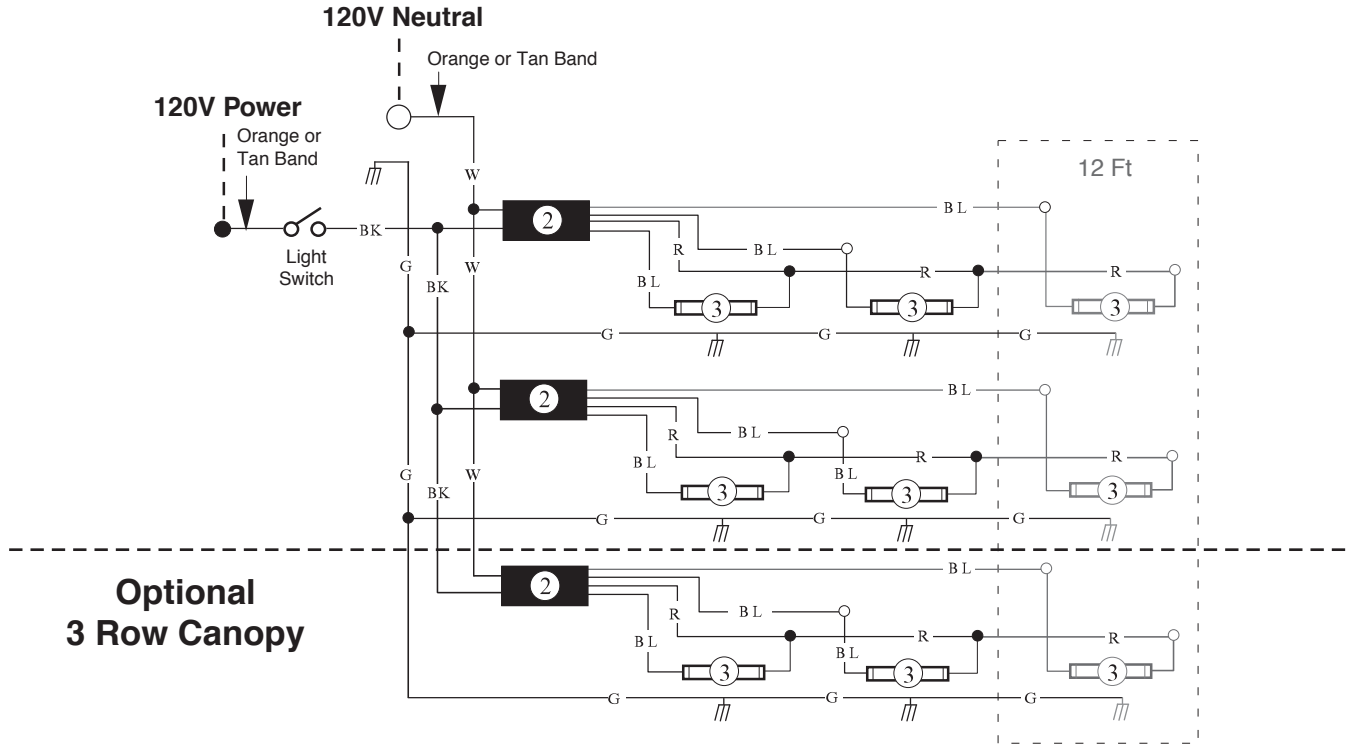
○ = 120V Neutral

⊥ = Field Ground

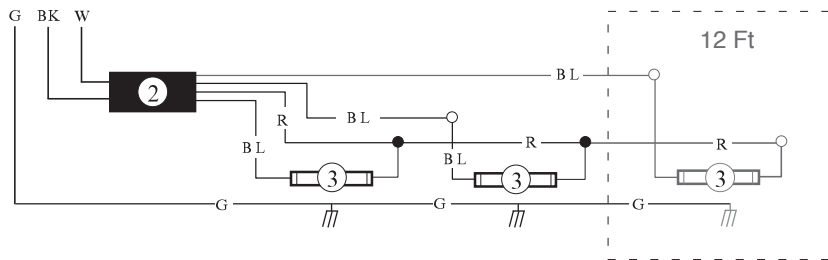
⏏ = Case Ground

Canopy Light Circuits — Fluorescent Fixtures

Standard Lighting 2 Row Canopy



Optional Ledge Light Circuit



WARNING

All components must have mechanical ground, and the merchandiser must be grounded.

Circled numbers = Parts list Item Numbers

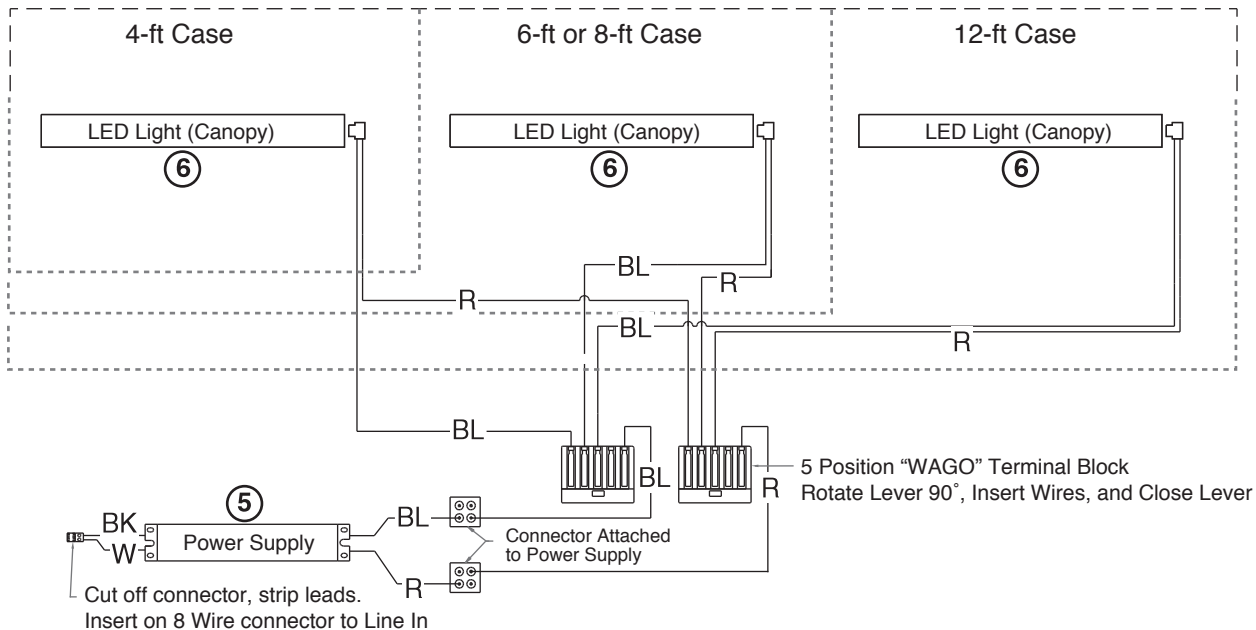
Grayed components in 12 foot models only.

R = Red G = Green BL = Blue BK = Black W = White

● = 120V Power ○ = 120V Neutral \perp = Field Ground \parallel = Case Ground

Optional Canopy Light Circuits — LED Fixtures

EcoShine II Service Case Front Canopy LED Wiring Diagram



EcoShine II Service Case Rear Canopy LED Wiring Diagram

