

We reserve the right to change or revise specifications and product design in connection with any feature of our products. Such changes do not entitle the buyer to corresponding changes, improvements, additions or replacements for equipment previously sold or shipped.

Item	Part #	Description	Wiring Item #	Item	Part #	Description	Wiring Item #
FAN ASSEMBLIES AND THERMOSTATS				CONTROL PANEL			
A.	4W Standard Fan Assembly		(1)	F.	0106236	Defrost Timer (TC.4440604)	(5)
	0436517	Fan Motor, Evaporator – 208V/230V (MO.4410105)		G.	0019187	Disconnect Switch (SW.4440647)	(6)
	0409511	Fan Blade (FB.0409511)		H.	0138400	Contactor (CN.4480909)	(7)
	4W Energy Efficient Fan Assembly		(1)	I.	0513693	Pressure Control (CP.4482953)	(8)
	0477659	Fan Motor, Evaporator – 208V/230V (MO.4410550)		J.	0513676	Power Cord (EP.4482952)	
	0409511	Fan Blade (FB.0409511)		REFRIGERATION			
B.	0510349	Standard Adjustable Refrigeration Thermostat (CT.4441543)	(2)	K.	0513597	Condensing Unit Assembly 230V (EQ.4613775)	
HEATERS				L.	0331344	Sight Glass (GL.4974431)	
C.	0401609	Nosing Anti-sweat Heater 220V (HE.4850472)	(3)	M.	0111482	Drier (FI.4611727)	
D.	0322013	Condensate Pan Heater 230V (HE.4850230)	(4)	N.	0335537	Crankcase Pressure Regulator (VR.4611761)	
E.	11584P	Condensate Pan (DP.4982972)		O.	0417890	TEV (VR.4611654)	
				LAMPS AND BALLASTS (IN OPTIONAL LIGHT BAR)			
				P.	0466234	Ballast, Electronic 2 lamps (BA.4480823)	(9)
				Q.		Fluorescent Lamp	(10)
				<i>Replace with like fixtures</i>			

Note: Revision A is original issue



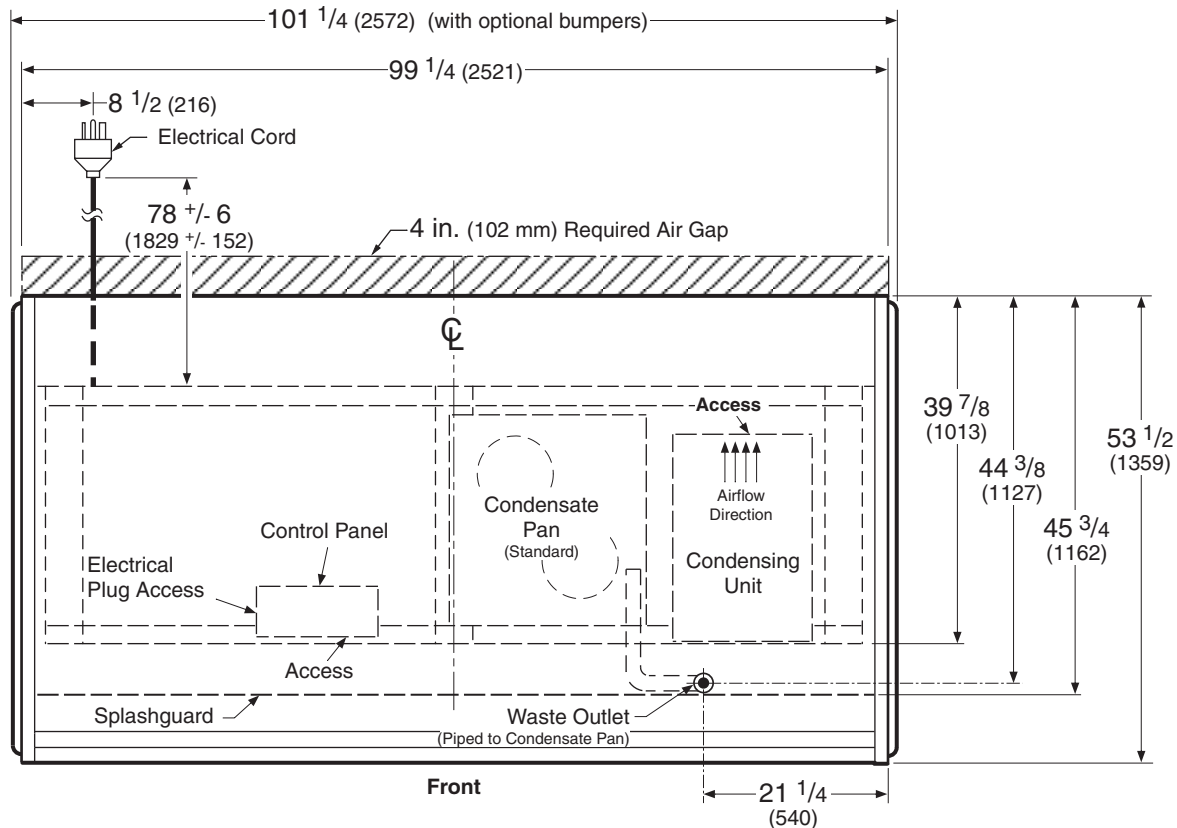
Engineering Plan Views

BEXD-8A

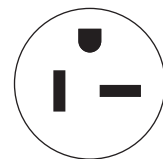
**Bakery,
Self-Contained**

Dimensions shown as inches and (mm).

11-2010



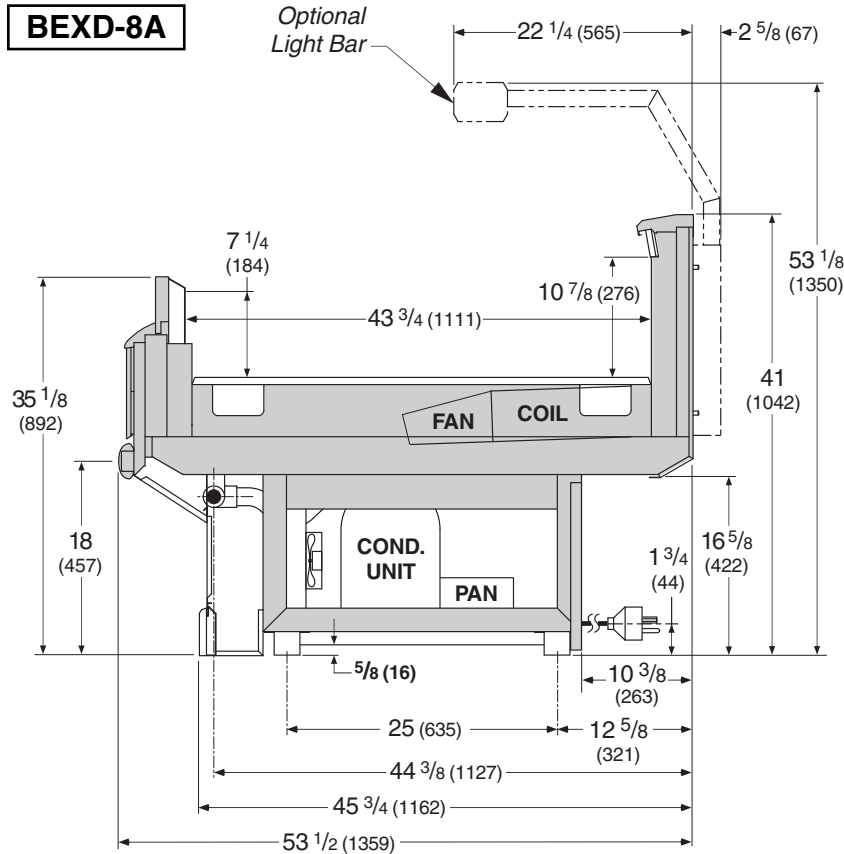
		8 ft
General		
Case Length <i>(Note: Includes One Pair Ends)</i>		99 1/4 (2521)
Optional End Bumpers <i>(One Pair)</i>		2 (51)
Maximum O/S dimension of case back to front <i>(Note: Includes bumper)</i>		53 1/2 (1359)
Back of case to front of splashguard		45 3/4 (1162)
Center of rear legs to center of front legs		25 (635)
Waste Outlet ●		
RH end of case <i>(from outside of End Assembly)</i> to center of waste outlet		21 1/4 (540)
Back of case to center of waste outlet		44 3/8 (1127)



PLUG
NEMA 6-20P
20A 250V
UL/CSA

Excel BEXD-8A
Bakery, Self-Contained

Dimensions shown as inches and (mm).



REFRIGERATION DATA

Note: This data is based on store temperature and humidity that does not exceed 75°F and 55% R.H. unless otherwise stated. Schedule defrost at night while lights are off.

	BEXD-8A
Thermostat Setting CI/CO (°F)	27 / 23
Condensing Unit (hp)	0.75
Condensing Unit Capacity (Btu/hr at std. rating conditions)	6590

DEFROST DATA

	BEXD-8A
Frequency (hr)	12
OFFTIME	
Failsafe (minutes)	70
Defrost Termination Pressure (psig)	100 (48°F)

CONVENTIONAL CONTROLS

	BEXD-8A
Low Pressure Backup Control	CI/CO
HPC (psig)	400/450
LPC (psig)	45/34

PHYSICAL DATA

		BEXD-8A
Refrigerant Charge		
8 ft	4.4 lb	72 oz 2.0 kg

NSF® Certification

This merchandiser is manufactured to meet ANSI/NSF® (National Sanitation Foundation) Standard #7 requirements for construction, materials & cleanliness.

Excel BEXD-8A Bakery, Self-Contained

Electrical Data

Note: These are rated values for individual components and should not be added together to determine total merchandiser electrical load.

	8 ft	
Number of Fans – 4W	2	
	Amperes	Watts
	8 ft	8 ft
Evaporator Fans		
230V 60Hz Standard	0.30	48
230V 60Hz Energy Efficient	0.12	16
Nosing Anti-sweat Heaters (220V)	0.36	80
Condensate Pan Heaters (230V)	4.0	920
Condensing Unit (208/230V, 1ph, 60Hz)		
Minimum Circuit Ampacity	12.3	
Compressor LRA	43.0	
Compressor RLA	9.0	
Lighting		
Standard	8 ft	8 ft
None	NA	NA
Optional Light Bar		
1 Row Fluorescent Lamp	0.21	60
Circuit Amp Rating at Plug		
230V 1ph 60Hz Standard	13.5	
230V 1ph 60Hz Energy Efficient	13.4	
Add for Optional Light Bar	0.21	
Maximum Over Circuit Protection 208/230V	20	

Product Data

<i>Recommended Usable Cube</i> ¹ (Cu Ft/Case)	22.77 ft ³ /case (0.64 m ³ /case)
<i>AHRI Total Display Area</i> ² (Sq Ft/Case)	29.26 ft ² /case (2.72 m ² /case)
<i>Shelf Area</i> ³ (Sq Ft/Case)	29.26 ft ² /case (2.72 m ² /case)

¹ AHRI Refrigerated Volume less shelving and other unusable space: Refrigerated Volume / Unit of Length, ft³/ft [m³/m]

² Computed using AHRI 1200 standard methodology: Total Display Area, ft² [m²] / Unit of Length, ft [m]

³ Shelf surface area is composed of bottom deck plus standard shelf complement, as shown in the Hussmann *Product Reference Guide*. The standard shelf complement for this model is NONE.

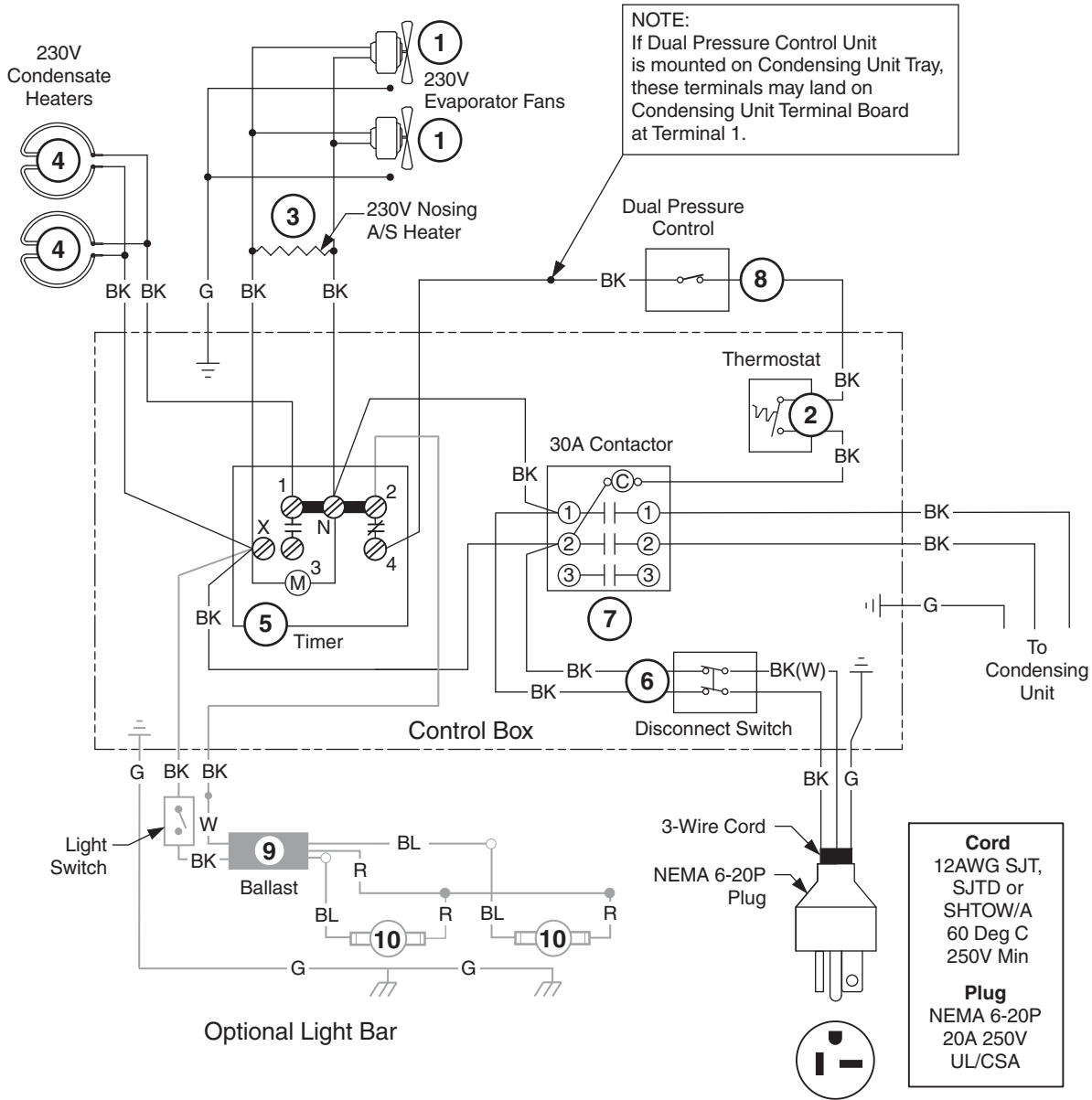
ESTIMATED SHIPPING WEIGHT ⁴

Case	<i>8 ft</i>	<i>End</i>
lb (kg)	1027 (466)	Included

⁴ Actual weights will vary according to optional kits included.

Excel BEXD-8A
Bakery, Self-Contained

Electrical Wiring



WARNING

All components must have mechanical ground, and the merchandiser must be grounded.

CIRCLED NUMBERS = PARTS LIST ITEM NUMBERS

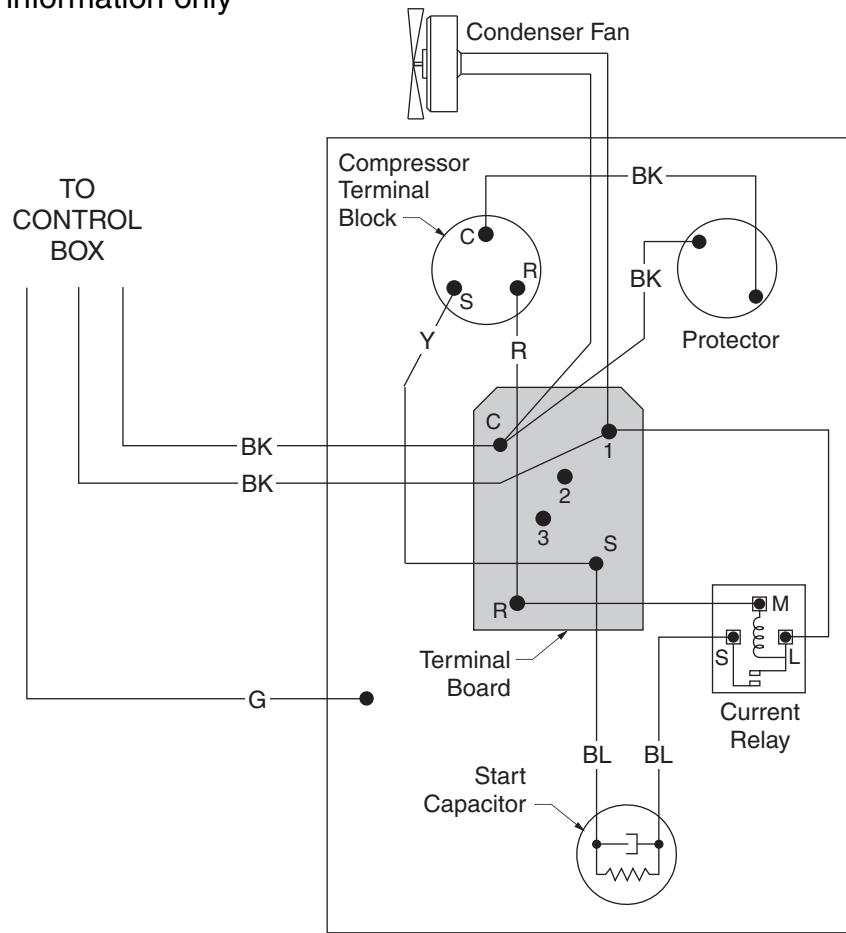
R = Red Y = Yellow G = Green BL = Blue BK = Black W = White

● = 120V POWER ○ = 120V NEUTRAL ⏏ = FIELD GROUND ⏏ = CASE GROUND

Condensing Unit Terminal Board

Electrical Wiring

Typical – for information only



CONDENSING UNIT 0.75 HP
208 / 230 / 60 / 1

WARNING

All components must have mechanical ground, and the merchandiser must be grounded.

CIRCLED NUMBERS = PARTS LIST ITEM NUMBERS

R = Red Y = Yellow G = Green BL = Blue BK = Black W = White

● = 120V POWER ○ = 120V NEUTRAL ⏏ = FIELD GROUND ⏏ = CASE GROUND