

We reserve the right to change or revise specifications and product design in connection with any feature of our products. Such changes do not entitle the buyer to corresponding changes, improvements, additions or replacements for equipment previously sold or shipped.

Item	Part #	Description	Wiring Item #	Item	Part #	Description	Wiring Item #
<b>FAN ASSEMBLIES AND THERMOSTATS</b>				<b>REFRIGERATION</b>			
A.	<b>4W Standard Energy Efficient</b>	Fan Assembly (1)		K.	0513597	Condensing Unit Assembly	
	0477659	Fan Motor, Evaporator –		L.	0331344	Sight Glass (GL.4974431)	
		208V/230V		M.	0111482	Drier (FI.4611727)	
	0409511	Fan Blade (FB.0409511)		N.	0335537	Crankcase Pressure Regulator	
B.	0510349	Standard Adjustable Refrigeration Thermostat (CT.4441543)	(2)	O.	0417890	TEV (VR.4611654)	
<b>HEATERS</b>				<b>LAMPS AND BALLASTS (IN OPTIONAL LIGHT BAR)</b>			
C.	0401609	Nosing Anti-sweat Heater 220V (HE.4850472)	(3)	P.	0466234	Ballast, Electronic	
D.	0322013	Condensate Pan Heater 230V (HE.4850230)	(4)	Q.		2 lamps (BA.4480823)	(9)
E.	11584P	Condensate Pan (DP.4982972)				Fluorescent Lamp	(10)
<b>CONTROL PANEL</b>						<i>Replace with like fixtures</i>	
F.	0106236	Defrost Timer (TC.4440604)	(5)				
G.	0019187	Disconnect Switch (SW.4440647)	(6)				
H.	0138400	Contactor (CN.4480909)	(7)				
I.	0513693	Pressure Control (CP.4482953)	(8)				
J.	0513676	Power Cord (EP.4482952)					

Note: Revision C updated to DOE 2017. Other changes marked by bar, underline or circle.

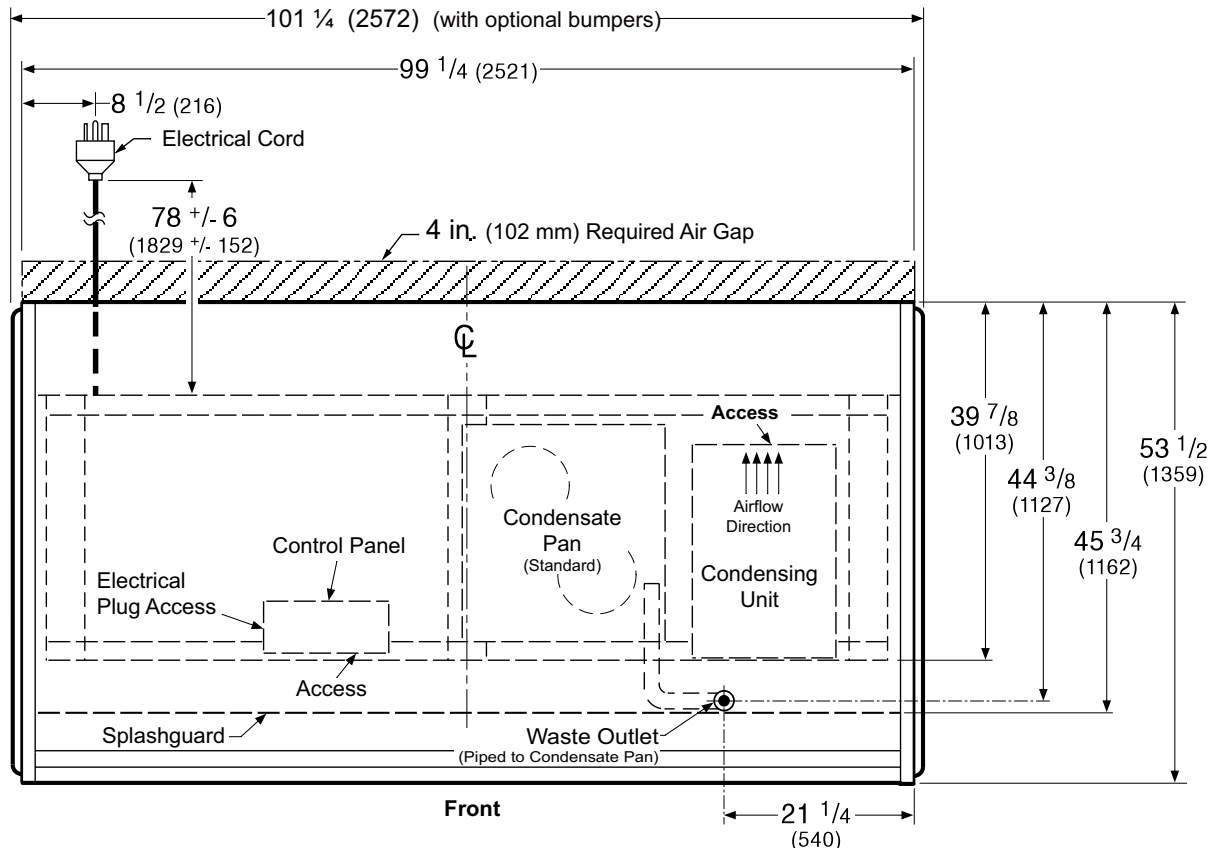
# Engineering Plan Views

## BEXD-8A

**Bakery,  
Self-Contained**

Dimensions shown as inches and (mm).

11-2010



<b>8 ft</b>	
<b>General</b>	
Case Length <i>(Note: Includes One Pair Ends)</i>	99 1/4 (2521)
Optional End Bumpers <i>(One Pair)</i>	2 (51)
Maximum O/S dimension of case back to front <i>(Note: Includes bumper)</i>	53 1/2 (1359)
Back of case to front of splashguard	45 3/4 (1162)
Center of rear legs to center of front legs	25 (635)
<b>Waste Outlet</b> ●	
RH end of case <i>(from outside of End Assembly)</i> to center of waste outlet	21 1/4 (540)
Back of case to center of waste outlet	44 3/8 (1127)

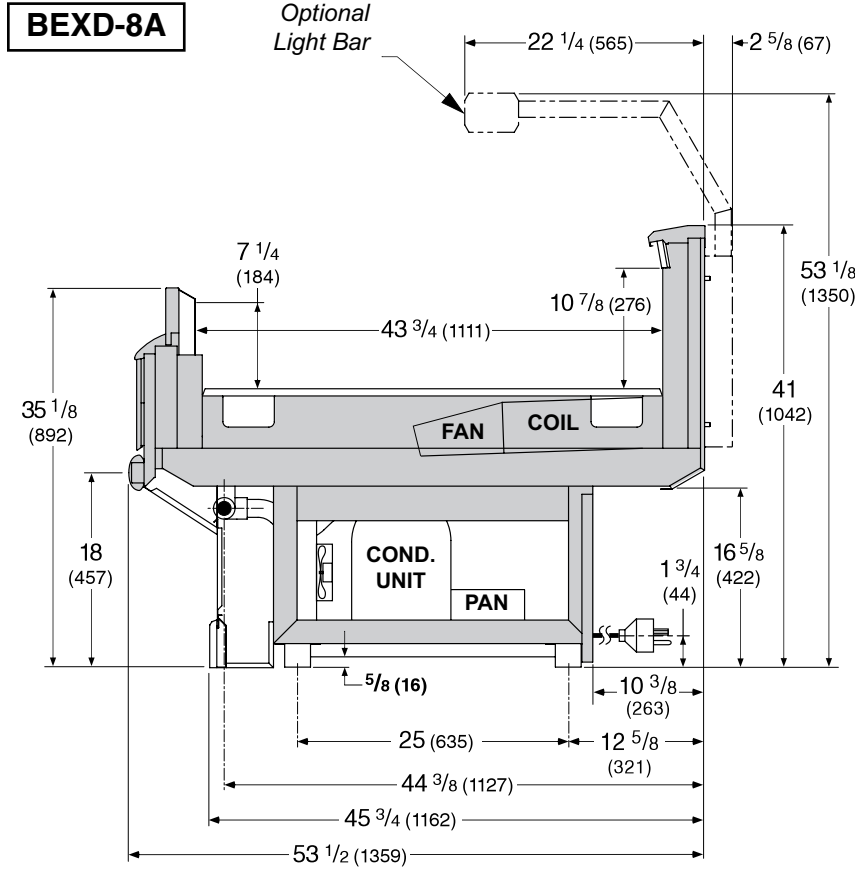


PLUG  
NEMA 6-20P  
20A 250V  
UL/CSA



Husmann refrigerated merchandisers configured for sale for use in the United States meet or surpass the requirements of the DOE 2017 energy efficiency standards.

Dimensions shown as inches and (mm).



**REFRIGERATION DATA**

**Note:** This data is based on store temperature and humidity that does not exceed 75°F and 55% R.H. unless otherwise stated. Schedule defrost at night while lights are off.

	<b>BEXD-8A</b>
<b>Thermostat Setting CI/CO (°F)</b>	27 / 23
<b>Condensing Unit (hp)</b>	0.75
<b>Condensing Unit Capacity (Btu/hr at std. rating conditions)</b>	6590

**DEFROST DATA**

	<b>BEXD-8A</b>
<b>Frequency (hr)</b>	12
<b>OFFTIME</b>	
<b>Failsafe (minutes)</b>	70
<b>Defrost Termination Pressure (psig)</b>	100 (48°F)

**CONVENTIONAL CONTROLS**

	<b>BEXD-8A</b>
<b>Low Pressure Backup Control</b>	CI/CO
<b>HPC (psig)</b>	400/450
<b>LPC (psig)</b>	45/34

**PHYSICAL DATA**

		<b>BEXD-8A</b>
<b>Refrigerant Charge</b>	8 ft    4.4 lb    72 oz	2.0 kg

**NSF Certification**

This merchandiser model is manufactured to meet NSF/ANSI (National Sanitation Foundation) Standard #7 requirements for construction, materials & cleanability.

<b>Excel BEXD-8A</b> <b>Bakery, Self-Contained</b>
---

## Electrical Data

*Note: These are rated values for individual components and should not be added together to determine total merchandiser electrical load.*

	<b>8 ft</b>	
<b>Number of Fans – 4W</b>	<b>2</b>	
	<b>Amperes</b>	<b>Watts</b>
	<b>8 ft</b>	<b>8 ft</b>
<b>Evaporator Fans</b>		
230V 60Hz Energy Efficient	0.12	16
<b>Nosing Anti-sweat Heaters (220V)</b>	0.36	80
<b>Condensate Pan Heaters (230V)</b>	4.0	920
<b>Condensing Unit (208/230V, 1ph, 60Hz)</b>		
Minimum Circuit Ampacity	12.3	
Compressor LRA	43.0	
Compressor RLA	9.0	
<b>Lighting</b>		
<b>Standard</b>	<b>8 ft</b>	<b>8 ft</b>
None	NA	NA
<b>ONLY LIGHTING CONFIGURATIONS THAT ARE COMPLIANT WITH THE U.S. DEPT. OF ENERGY (DOE) 2017 REGULATION ARE AVAILABLE FOR SALE FOR USE IN THE U.S.A.</b>		
<b>Optional Light Bar</b>		
1 Row Fluorescent Lamp	0.21	60
<b>Circuit Amp Rating at Plug</b>		
230V 1ph 60Hz Standard	13.5	
230V 1ph 60Hz Energy Efficient	13.4	
Add for Optional Light Bar	0.21	
<b>Maximum Over Circuit Protection 208/230V</b>	<b>20</b>	

**Product Data**

<i>Recommended Usable Cube</i> <sup>1</sup> (Cu FtlCase)	22.77 ft <sup>3</sup> /case (0.64 m <sup>3</sup> /case)
<i>AHRI Total Display Area</i> <sup>2</sup> (Sq FtlCase)	27.92 ft <sup>2</sup> /case (2.59 m <sup>2</sup> /case)
<i>Shelf Area</i> <sup>3</sup> (Sq FtlCase)	29.26 ft <sup>2</sup> /case (2.72 m <sup>2</sup> /case)

<sup>1</sup> AHRI Refrigerated Volume less shelving and other unusable space: Refrigerated Volume / Unit of Length, ft<sup>3</sup>/ft [m<sup>3</sup>/m]

<sup>2</sup> Computed using AHRI 1200 standard methodology: Total Display Area, ft<sup>2</sup> [m<sup>2</sup>] / Unit of Length, ft [m]

<sup>3</sup> Shelf surface area is composed of bottom deck plus standard shelf complement, as shown in the Hussmann *Product Reference Guide*. The standard shelf complement for this model is NONE.

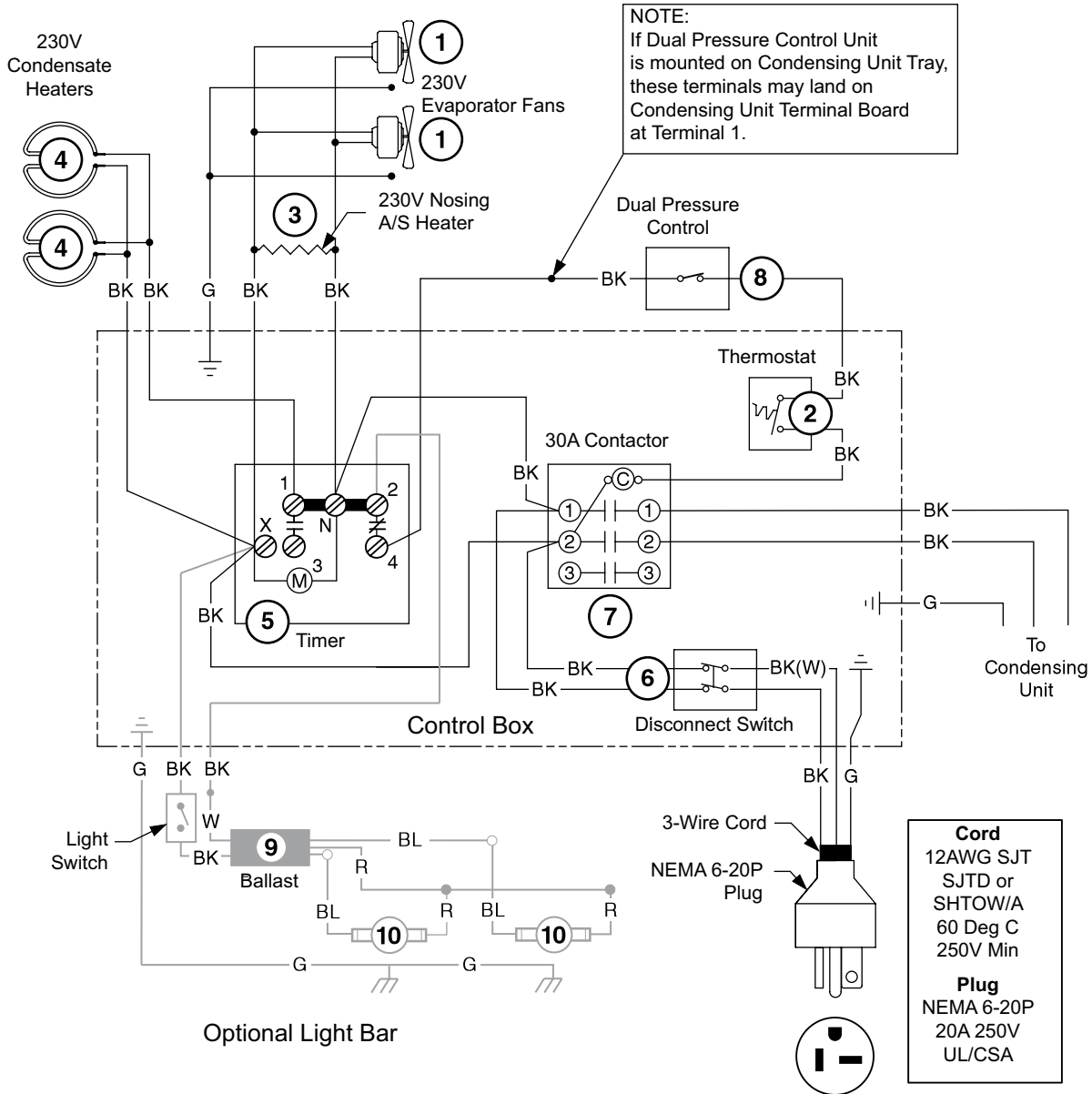
**ESTIMATED SHIPPING WEIGHT <sup>4</sup>**

<b>Case</b>	<b>8 ft</b>	<b>End</b>
<b>lb (kg)</b>	1027 (466)	Included

<sup>4</sup> Actual weights will vary according to optional kits included.

**Excel BEXD-8A**  
Bakery, Self-Contained

**Electrical Wiring**



**WARNING**

All components must have mechanical ground, and the merchandiser must be grounded.

Circled numbers = Parts List Item Numbers

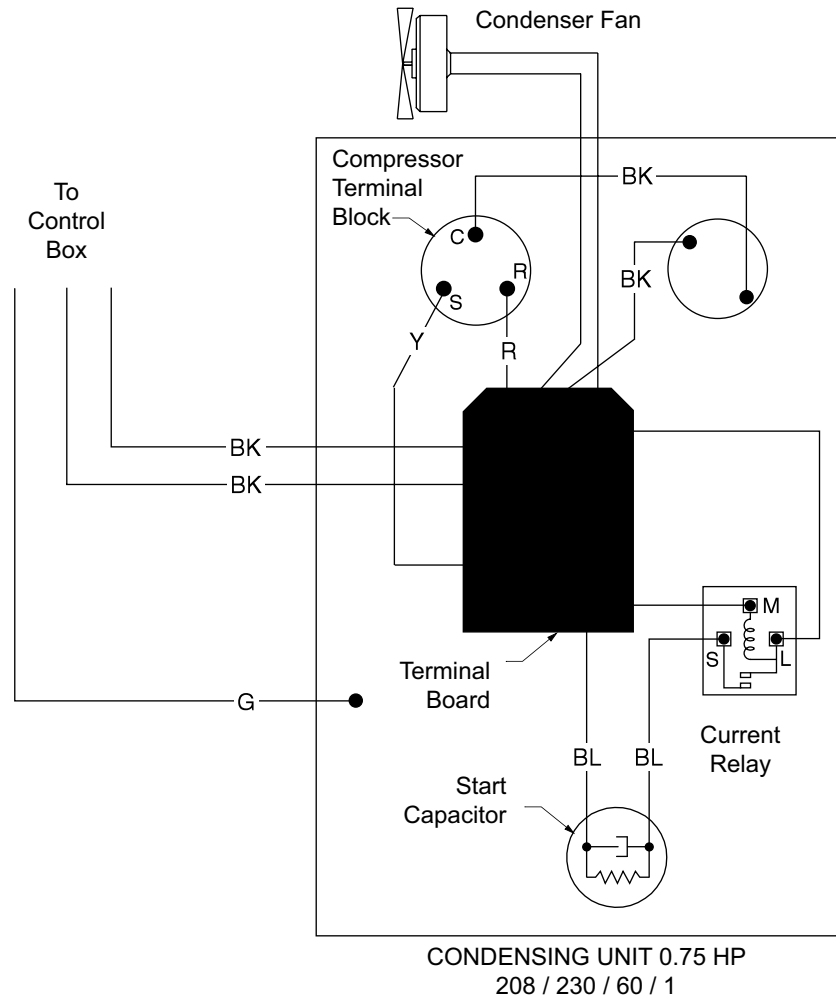
R = Red    Y = Yellow    G = Green    BL = Blue    BK = Black    W = White

● = 120V POWER    ○ = 120V NEUTRAL    ⊥ = FIELD GROUND    ≡ = CASE GROUND

## Condensing Unit Terminal Board

## Electrical Wiring

Typical – for information only



### WARNING

All components must have mechanical ground, and the merchandiser must be grounded.  
Circled numbers = Parts List Item Numbers

R = Red    Y = Yellow    G = Green    BL = Blue    BK = Black    W = White  
 ● = 120V POWER    ○ = 120V NEUTRAL    ⊥ = FIELD GROUND    ≡ = CASE GROUND