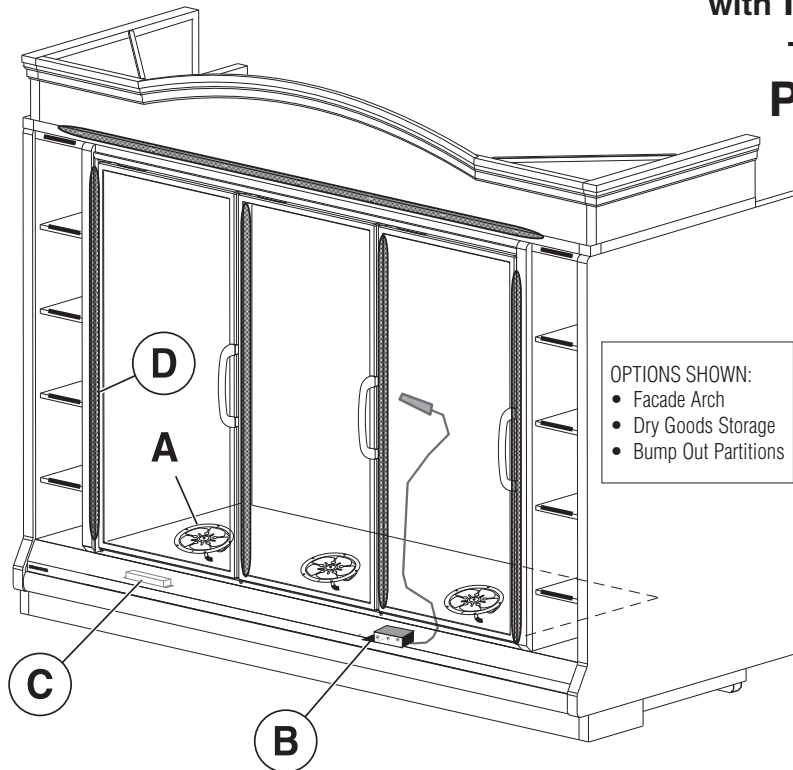


with INNOVATOR Doors

Technical Data Sheet
P/N 0520877_H

NSF[®] Certified
April 2017



OPTIONS SHOWN:
• Facade Arch
• Dry Goods Storage
• Bump Out Partitions

DOE 2017
Energy Efficiency
Compliant

Warning:
Terminal
block
NOT for
case-to-case
wire
connection!

We reserve the right to change or revise specifications and product design in connection with any feature of our products. Such changes do not entitle the buyer to corresponding changes, improvements, additions or replacements for equipment previously sold or shipped.

Item	Part #	Description	Wiring Item #	Item	Part #	Description	Wiring Item #
FAN ASSEMBLIES, AND THERMOSTATS				LED FIXTURES AND POWER SUPPLY			
A.	12W Standard Energy Efficient Fan Assembly (1)			C.	0499399	Power Supply (EP.4481861)	(3)
	0477655	Fan Motor, Evaporator (MO.4410546)		D.	050908300	4100K Center (BU.4441330)	(4)
	0461805	Fan Blade (FB.4780446)			050908400	4100K End (BU.4441331)	(5)
						<i>(Note: A complete list of vertical LED replacement lamps can be found at Hussmann.com/TechnicalInfoAndParts)</i>	
B.	Optional Adjustable Refrigeration Thermostat(2)						

Refer to INNOVATOR REACH-IN GLASS DOOR INSTALLATION AND SERVICE manual, PIN 0425683, for Innovator and Innovator II door and frame replacement parts.

Data sheet-LifeLine RM

Note: Revision H: April 2017. Updated LED energy values. Other changes marked with a bar, circle or underline.

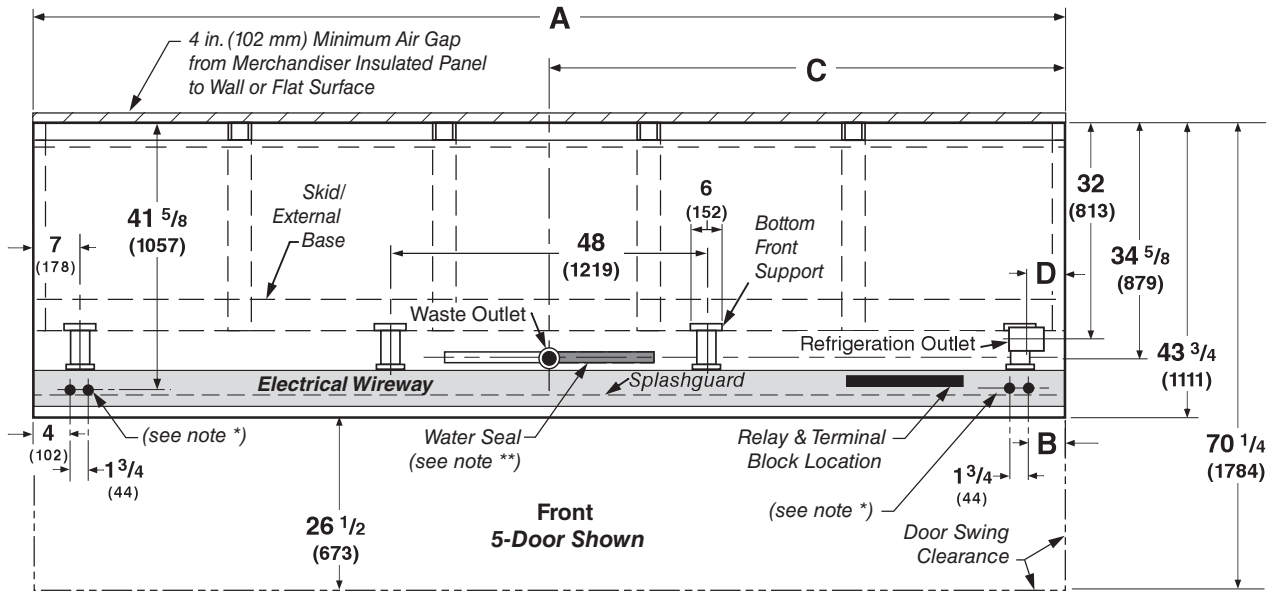
Engineering Plan Views

Reach-In
2, 3, 4 & 5 Door

LifeLine Premier RL - RM Plan View 05-2010

PHYSICAL DATA	
Merchandiser Drip Pipe (in.)	1 1/4
Merchandiser Liquid Line (in.)	3/8
Merchandiser Suction Line (in.)	5/8

Dimensions shown as inches and (mm).



Base footprint 5-door merchandiser is shown above, without Bump Out, Dry Goods, Partitions or Ends.

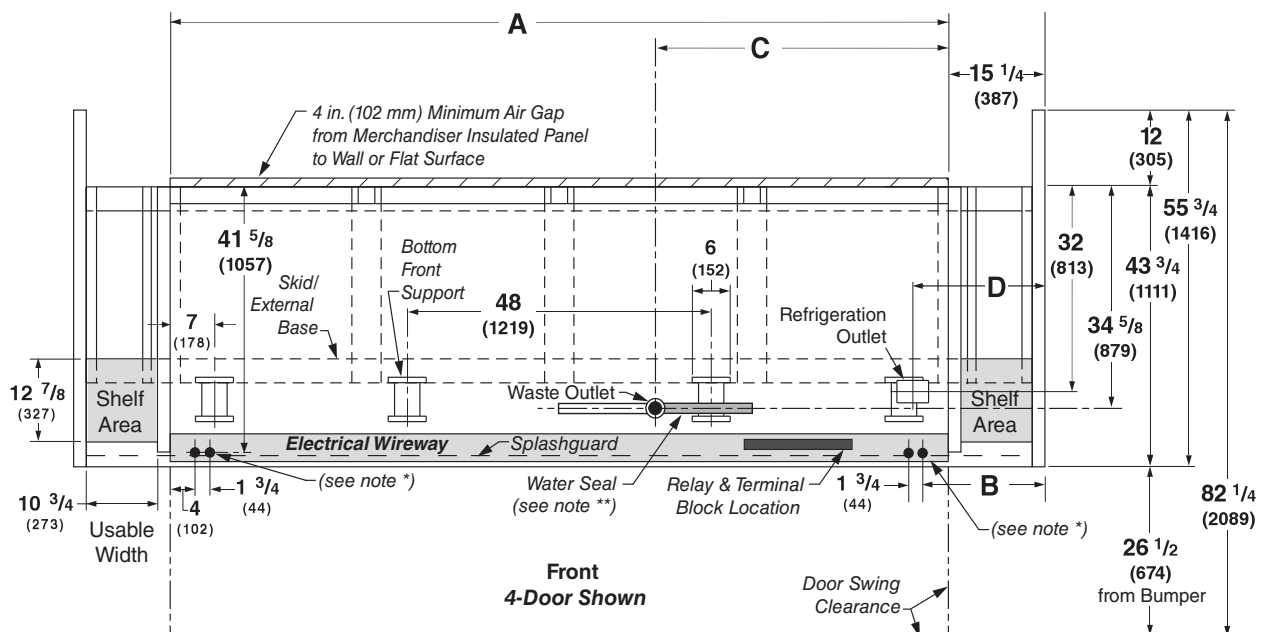
Illustrated below is a 4-door merchandiser with Dry Goods cabinets and Bump Out end partitions.

Refer to chart on Page 3 for detailed dimensional information on options.

LifeLine Premier — Dry Goods \ Bump Out Plan View

2, 3 & 4 Door

Dimensions shown as inches and (mm).



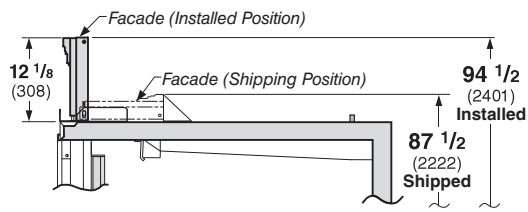
Plan View Dimensions for LifeLine Premier Options

LifeLine Premier RM
With Innovator Doors
Medium Temperature

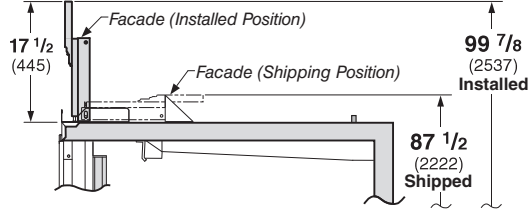
Abbreviations: DG = Dry Goods section BO = Bump Out				
General	2 Dr	3 Dr	4 Dr	5 Dr
(A) Merchandiser Length	62 (1575)	92 1/2 (2350)	122 7/8 (3121)	153 3/8 (3896)
**NOTE: Each solid end adds approximately 2 3/8 in (60 mm) to length of line up; each partition add approximately 2 3/4 in (70 mm); case to case joints can add approximately 1/8 in (3 mm) for gasket material.				
(A) Merchandiser Length BO includes 2 bump-out ends	66 (1676)	96 1/2 (2451)	126 7/8 (3222)	157 3/8 (3997)
(A) Merchandiser Length DG includes 4 ends and dry goods cabinets	92 1/2 (2350)	123 (3124)	153 3/8 (3896)	NA
Maximum O/S dimension of merchandiser back to front ***	43 3/4 (1111)	43 3/4 (1111)	43 3/4 (1111)	43 3/4 (1111)
Maximum O/S dimension of merchandiser back to front BO ***	55 3/4 (1416)	55 3/4 (1416)	55 3/4 (1416)	55 3/4 (1416)
*** Includes bumper. Add 26 1/2 in. (673 mm) for door swing.				
Interior width of dry goods cabinet	10 3/4 (273)	10 3/4 (273)	10 3/4 (273)	NA
Interior depth of dry goods cabinet	12 7/8 (327)	12 7/8 (327)	12 7/8 (327)	NA
Back of merchandiser to rear of splashguard	39 7/8 (1013)	39 7/8 (1013)	39 7/8 (1013)	39 7/8 (1013)
Back of merchandiser to rear of splashguard BO	51 7/8 (1318)	51 7/8 (1318)	51 7/8 (1318)	51 7/8 (1318)
Width of Skid rail	3 3/4 (95)	3 3/4 (95)	3 3/4 (95)	3 3/4 (95)
Width of Bottom Front Support	6 (152)	6 (152)	6 (152)	6 (152)
Stub-up area between front support and splashguard	3 1/8 (79)	3 1/8 (79)	3 1/8 (79)	3 1/8 (79)
Electrical Service				
(B) RH end of merchandiser to the center of nearest knockout	4 (102)	4 (102)	4 (102)	4 (102)
(B) RH end of merchandiser to the center of nearest knockout BO	6 (152)	6 (152)	6 (152)	6 (152)
(B) RH end of merchandiser to the center of nearest knockout DG	19 1/4 (489)	19 1/4 (489)	19 1/4 (489)	NA
RH end of merchandiser to the center of LH knockout	58 (1473)	88 1/2 (2248)	118 7/8 (3019)	149 3/8 (3794)
Back O/S of merchandiser to center of knockout	41 5/8 (1057)	41 5/8 (1057)	41 5/8 (1057)	41 5/8 (1057)
Back O/S of merchandiser with bump-out to center of knockout	53 5/8 (1362)	53 5/8 (1362)	53 5/8 (1362)	53 5/8 (1362)
* NOTE: Electrical Field Wiring Connection Point is at terminal.				
Waste Outlet				
(C) Right end of merchandiser to center of waste outlet	23 7/8 (606)	54 1/4 (1378)	46 1/4 (1175)	76 5/8 (1946)
(C) Right end of merchandiser to center of waste outlet BO	25 7/8 (657)	56 1/4 (1429)	48 1/4 (1226)	78 5/8 (1997)
(C) Right end of merchandiser to center of waste outlet DG	39 (991)	69 1/2 (1765)	61 1/2 (1562)	NA
Back O/S of merchandiser with bump-out to center of waste outlet	46 5/8 (1184)	46 5/8 (1184)	46 5/8 (1184)	46 5/8 (1184)
Water Seal				
Edge of water seal to center of waste outlet	13 (330)	13 (330)	13 (330)	13 (330)
Schedule 40 PVC drip pipe	1 1/4 (32)	1 1/4 (32)	1 1/4 (32)	1 1/4 (32)
** NOTE: Field installed water seal outlets, tees, and connectors are shipped with merchandiser.				
Refrigeration Outlet				
(D) RH end of merchandiser to center of RH refrigeration outlet	5 3/8 (136)	5 3/8 (136)	5 3/8 (136)	5 3/8 (136)
(D) RH end of merchandiser to center of RH refrigeration outlet BO	7 3/8 (187)	7 3/8 (187)	7 3/8 (187)	7 3/8 (187)
(D) RH end of merchandiser to center of RH refrigeration outlet DG	20 5/8 (524)	20 5/8 (524)	20 5/8 (524)	NA
Back O/S of merchandiser with bump-out to center of refrigeration outlet	44 (1118)	44 (1118)	44 (1118)	44 (1118)
Outside bottom front supports from end of merchandiser	7 (178)	7 (178)	7 (178)	7 (178)
Outside bottom front supports from end of merchandiser BO	9 (229)	9 (229)	9 (229)	9 (229)
Outside bottom front supports from end of merchandiser DG	26 1/2 (673)	26 3/4 (679) RH 37 1/2 (952) LH	26 1/4 (667)	NA
Center bottom front support from Centerline	24 (610)	24 (610)	24 (610)	24 (610)
Center bottom front support from Centerline BO	24 (610)	24 (610)	24 (610)	24 (610)
Center bottom front support from Centerline DG	6 3/4 (171) LH	8 3/4 (222) RH	24 (610)	NA
Distance between Center and Outside supports will vary				

LifeLine Premier RM

With Innovator Doors
Medium Temperature

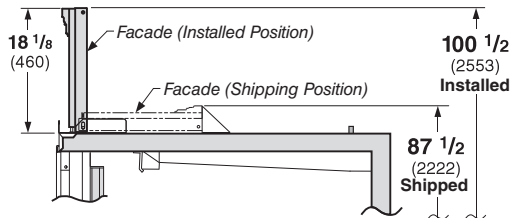


12 in. Straight Facade

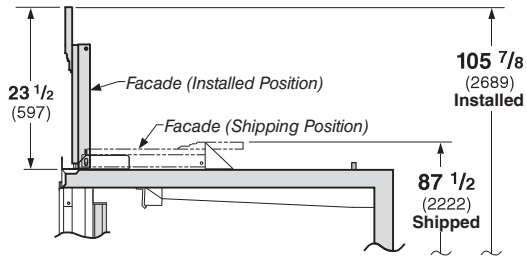


12 in. Arch Facade

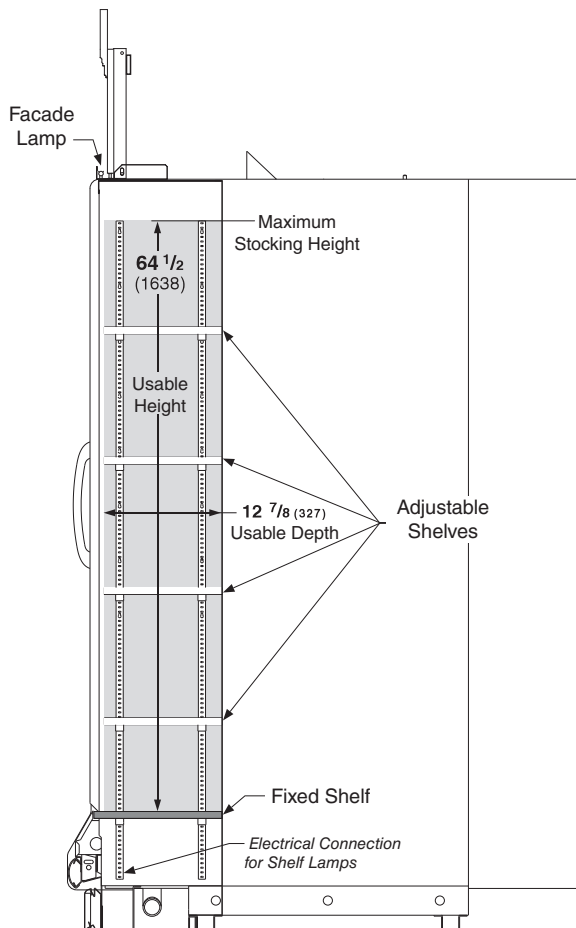
Facade Options in Cross Section



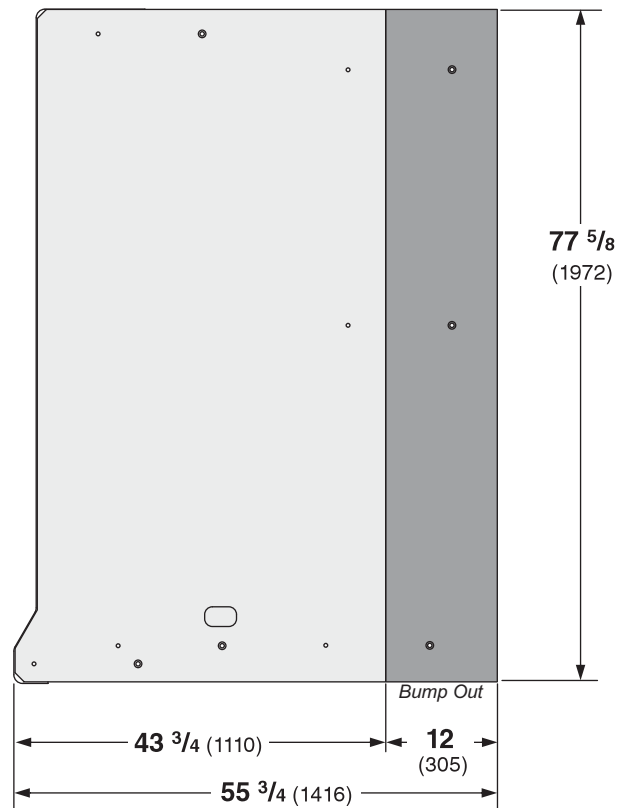
18 in. Straight Facade



18 in. Arch Facade



Dry Goods Cross-Section



Partition and End Profiles

LifeLine Premier Reach-in 2, 3, 4 and 5 Door Models



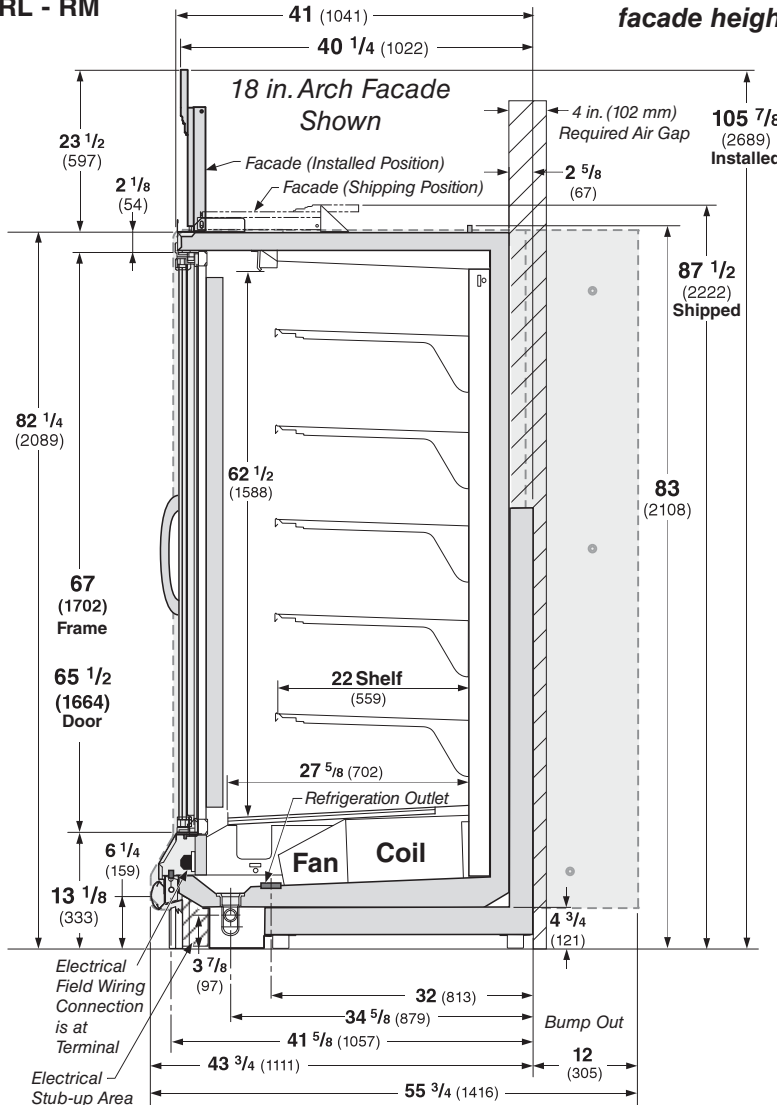
All RL and RM models meet or surpass the requirements of the DOE 2017 energy efficiency standards.

Standard Reach-in configuration consists of Innovator I doors, energy efficient fan motors, and EcoShine II LED vertical lighting.

LifeLine Premier RL - RM

Dimensions shown as inches and (mm).

See Page 4 for alternate facade heights.



Estimated Charge **

2Dr	1.8 lb	29 oz	0.8 kg
3Dr	2.7 lb	43 oz	1.2 kg
4Dr	3.6 lb	58 oz	1.6 kg
5Dr	4.6 lb	74 oz	2.1 kg

**This is an average for all refrigerant types. Actual refrigerant charge may vary by approximately 0.5 lb (8 oz / 0.2 kg).

NSF Certification

This merchandiser model is manufactured to meet NSF/ANSI (National Sanitation Foundation) Standard #7 requirements for construction, materials & cleanability.

LifeLine Premier RM

With Innovator Doors
Medium Temperature

REFRIGERATION DATA§

Note: This data is based on store temperature and humidity levels that do not exceed NSF guidelines.

	MEDIUM TEMP	AHRI Rating
Discharge Air °F	32	36
Evaporator °F	27	32
Unit Sizing °F	25	30

BTU/HR/DOOR

	NSF TYPE I	NSF TYPE II	AHRI RATING
Temp (°F) /R.H. 75°/55%		80°/55%	
INNOVATOR			
Parallel	480	505	470
Conventional	500	525	490

§ Average evaporator temperature shown. Use dew point for high glide refrigerants for unit sizing. Care should be taken to use the dew point in PT tables for measuring and adjusting superheat. Adjust evaporator pressure as needed to maintain discharge air temperature shown.

DEFROST DATA

Frequency (hr)	24
Defrost Water (lb/Dr/day)	0.36
(± 15% based on case configuration and product loading.)	
ELECTRIC	Not Recommended
GAS	Not Recommended
OFFTIME	60 minutes

CONVENTIONAL CONTROLS

Low Pressure Backup Control
C/I/CO (Temp °F)* +20°/+10°

Indoor Unit Only, Pressure Defrost Termination (Temp °F)*

Not Recommended

*Use a Temperature Pressure Chart to determine PSIG conversions.

LifeLine Premier RM

With Innovator Doors
Medium Temperature

Husmann recommends against frame heater cycling with *Innovator* doors to prevent door seals from freezing to the frames and tearing.

Electrical Data

Number of Fans—12W	2Dr	3Dr	4Dr	5Dr				
	2	3	4	5				
Merchandise	2Dr	Amperes			2Dr	Watts		
		3Dr	4Dr	5Dr		3Dr	4Dr	5Dr
Energy Efficient Evaporator Fan								
120V 50/60Hz Innovator	0.60	0.90	1.20	1.50	36	54	72	90
220V 50/60Hz Export Innovator	0.30	0.45	0.60	0.75	36	54	72	90
Door Anti-sweat Heaters (on fan circuit)	NA							
Frame Anti-sweat Heaters (on fan circuit)								
120V 50/60Hz	0.40	0.60	0.80	1.00	47	71	94	118
220V 50/60Hz Export Innovator	0.20	0.30	0.40	0.50	47	71	94	118
Minimum Circuit Ampacity								
120V 50/60Hz	1.20	1.70	2.20	2.70				
220V 50/60Hz Export	0.70	0.95	1.20	1.45				
Maximum Over Current Protection 120V	20	20	20	20				
Maximum Over Current Protection 220V	15	15	15	15				
Defrost	NA							
Standard Vertical LED Lighting	2Dr	3Dr	4Dr	5Dr	2Dr	3Dr	4Dr	5Dr
Husmann EcoShine II™ (120V)	0.36	0.54	0.72	0.90	38	57	76	95
Husmann EcoShine II™ (220V Export)	0.20	0.29	0.39	0.49	38	57	76	95

* Dry Goods sections are not available on 5-Door models.

Product Data (Refrigerated Area Only)

<i>Recommended Usable Cube</i> ¹ (Cu Ft/Dr)	23.46 ft ³ /Dr (0.66 m ³ /Dr)
<i>AHRI Total Display Area</i> ² (Sq Ft/Dr)	13.31 ft ² /Dr (1.24 m ² /Dr)
<i>Shelf Area</i> ³ (Sq Ft/Dr)	29.32 ft ² /Dr (2.72 m ² /Dr)

¹ AHRI Refrigerated Volume less shelving and other unusable space: Refrigerated Volume/Unit of Length, ft³/ft [m³/m]

² Computed using AHRI 1200 standard methodology: Total Display Area, ft² [m²]/Unit of Length, ft [m]

³ Shelf surface area is composed of bottom deck plus standard shelf complement, as shown in the Hussmann *Product Reference Guide*. The standard shelf complement for this model is (5) rows of 22-inch shelves.

Product Data (Dry Goods Area Only)

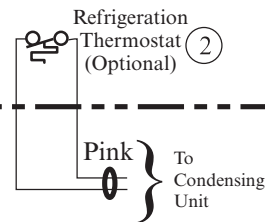
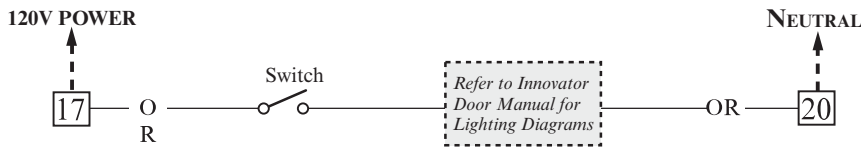
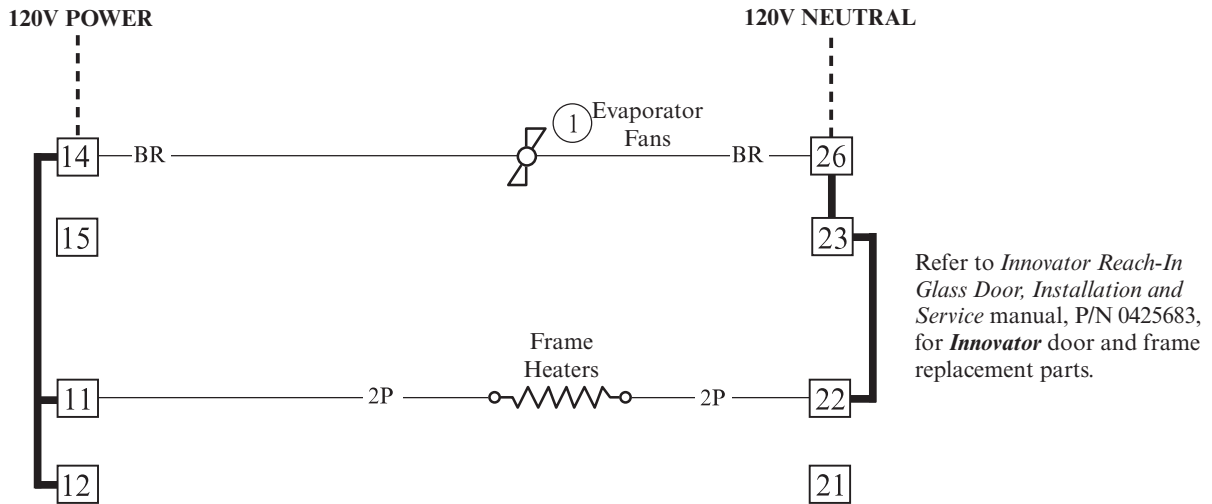
TOTAL Gross Usable Cube (Volume for 2 DG per merchandiser) 10.33 ft³ / (0.29m³)

ESTIMATED SHIPPING WEIGHT ⁴					
	2 Dr	3 Dr	4 Dr	5 Dr	Solid End (each)
Standard LifeLine Premier Merchandiser (12-Inch Facade, no Arch)					
lb (kg)	1027 (466)	1340 (608)	1655 (751)	1949 (884)	70 (32)
Standard LifeLine Premier Merchandiser (18-Inch Facade, no Arch)					
lb (kg)	1037 (470)	1355 (615)	1675 (760)	1974 (895)	75 (36)
LifeLine Premier Merchandiser with Two (2) Bump Out Partitions (12-Inch Facade, no Arch)					
lb (kg)	1206 (547)	1519 (689)	1834 (832)	2128 (965)	N/A
LifeLine Premier Merchandiser with Two (2) Bump Out Partitions (18-Inch Facade, no Arch)					
lb (kg)	1229 (557)	1547 (702)	1867 (847)	2166 (982)	N/A
LifeLine Premier Merchandiser with Two (2) Dry Goods Sections, Two (2) Partitions (12-Inch Facade, no Arch)					
lb (kg)	1507 (684)	1820 (826)	2135 (968)	NA	NA
LifeLine Premier Merchandiser with Two (2) Dry Goods Sections, Two (2) Partitions (18-Inch Facade, no Arch)					
lb (kg)	1537 (697)	1855 (841)	2175 (987)	NA	NA
LifeLine Premier Merchandiser with					
Two (2) Bump Out Partitions, Two (2) Dry Goods Sections, Two (2) Partitions (12-Inch Facade, no Arch)					
lb (kg)	1546 (701)	1859 (843)	2174 (986)	NA	NA
LifeLine Premier Merchandiser with					
Two (2) Bump Out Partitions, Two (2) Dry Goods Sections, Two (2) Partitions (18-Inch Facade, no Arch)					
lb (kg)	1579 (716)	1897 (860)	2217 (1006)	NA	NA
Add 10 lb (5 kg) for Arch					
⁴ Actual weights will vary according to optional kits included.					

Fan and Heater Circuits - Offtime Defrost (standard)

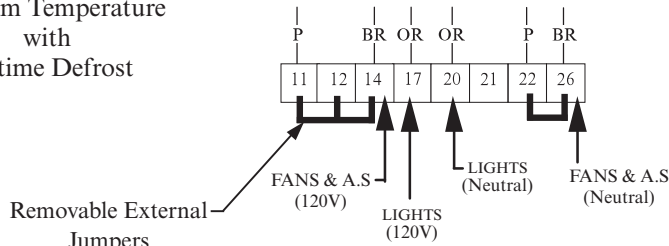
Medium Temperature

CIRCLED NUMBERS = PARTS LIST ITEM NUMBERS
 R = Red P = Purple 2P = Purple (2 Bands) DB = Dark Blue BK = Black
 LB = Light Blue Pink = Pink BR = Brown Y = Yellow OR = Orange W = White
THESE ARE MARKER COLORS (WIRE MAY VARY.)



Terminal Blocks in Wireway

Medium Temperature with Offtime Defrost

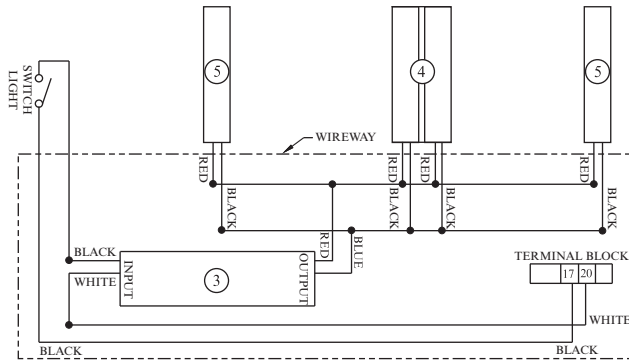


WARNING

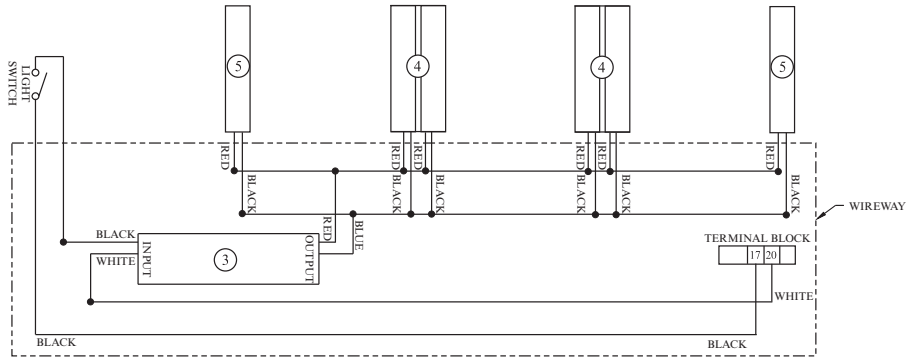
All components must have mechanical ground, and the merchandiser must be grounded.

● = 120V Power ○ = 120V Neutral ⊥ = Field Ground \overline{m} = Case Ground

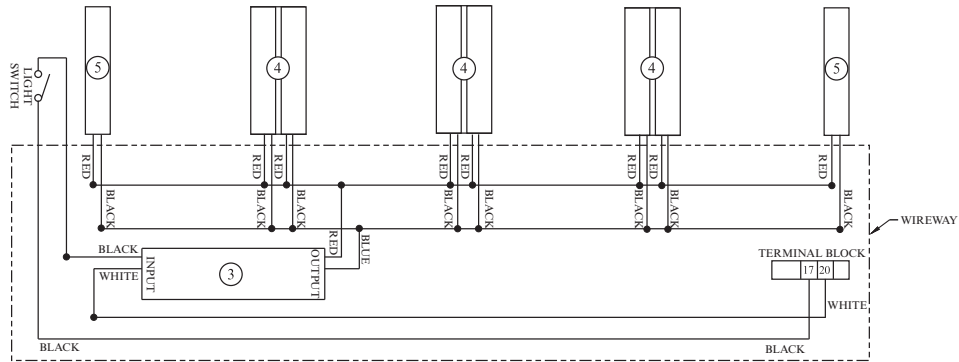
**Optional
Lighting
LED
Fixtures
Hussmann
EcoShine™**



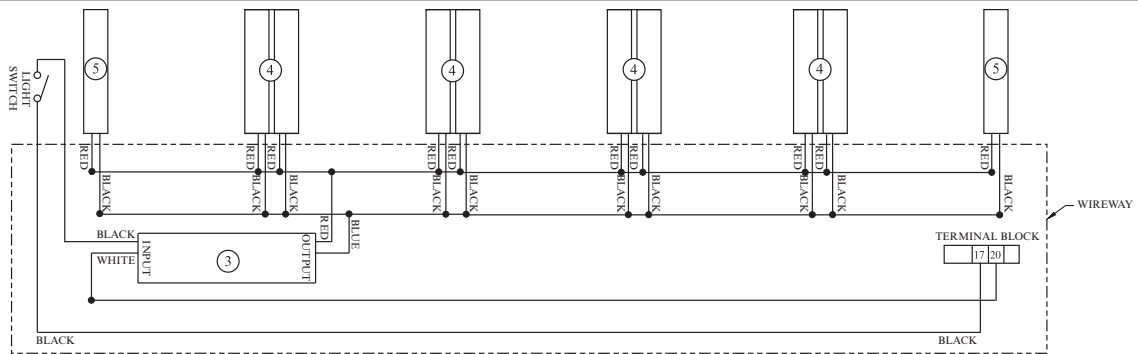
2 DOOR LED LIGHT WIRING DIAGRAM



3 DOOR LED LIGHT WIRING DIAGRAM



4 DOOR LED LIGHT WIRING DIAGRAM



5 DOOR LED LIGHT WIRING DIAGRAM

WARNING

All components must have mechanical ground, and the merchandiser must be grounded.

Circled numbers = Parts List Item Numbers

R= Red Y = Yellow G = Green BL = Blue BK = Black W = White

● = 120V Power ○ = 120V Neutral \perp = Field Ground \rightsquigarrow = Case Ground