

We reserve the right to change or revise specifications and product design in connection with any feature of our products. Such changes do not entitle the buyer to corresponding changes, improvements, additions or replacements for equipment previously sold or shipped.

Item	Part #	Description	Wiring Item #	Item	Part #	Description	Wiring Item #
FAN ASSEMBLIES				LAMPS AND BALLASTS			
A.	4W Standard	Fan Assembly	(1)	F.	Ballast, Electronic, 120V		(7)
	0392457	Fan Motor, Evaporator - 120V			0355716	2 lamps	
	0409513	Fan Blade - 120V			0355398	3 lamps	
	4W Export	Fan Assembly	(1)		Ballast, Electronic, 230V 50-60 Hz		(8)
	0436517	Fan Motor, Evaporator - 230V			0440215	2 lamps	
	0409514	Fan Blade - 230V embossing toward motor			0428652	3 lamps	
B.	Ambient Fan Assembly		(2)		0385104	Ballast Transformer (230V 50-60 Hz, per ballast)	
	0522287	High Efficiency Ambient Fan Motor 120V		G.	Fluorescent Lamp		(9)
	0404552	Fan Motor, Ambient - 230V			<i>Replace with like fixtures</i>		
THERMOSTATS				LED FIXTURES AND POWER SUPPLY			
C.	0328028	Standard Non-adjustable Defrost Thermostat	(3)	H.	0501213	Power Supply	(10)
D.	0353949	Optional Adj. Refrigeration Thermostat	(4)	J.	LED Canopy Fixture		(11)
					<i>Replace with like fixtures</i>		
				K.	LED Shelf Fixture		(12)
					<i>Replace with like fixtures</i>		
HEATERS - AMBIENT							
E.	0522289	120V	(5)				
	0474031	230V	(6)				

Data sheet-Elite-ESBDHV

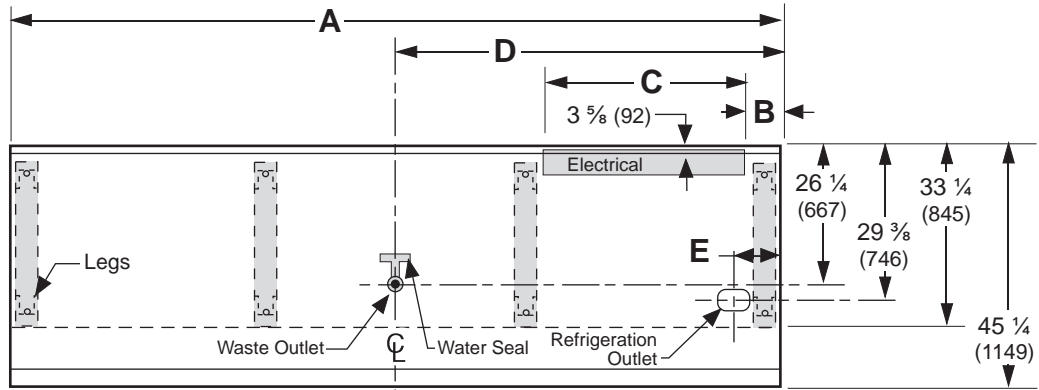
Note: Revision E: April 2017. Updated LED energy values. Other changes marked with a bar, circle or underline.

Engineering Plan Views





PHYSICAL DATA	
Merchandiser Drip Pipe (in.)	1 1/2
Merchandiser Liquid Line (in.)	3/8
Merchandiser Suction Line (in.)	7/8

Elite High Volume Meat & Delicatessen Curved Hinged Glass Models

Dimensions shown as in. and (mm).



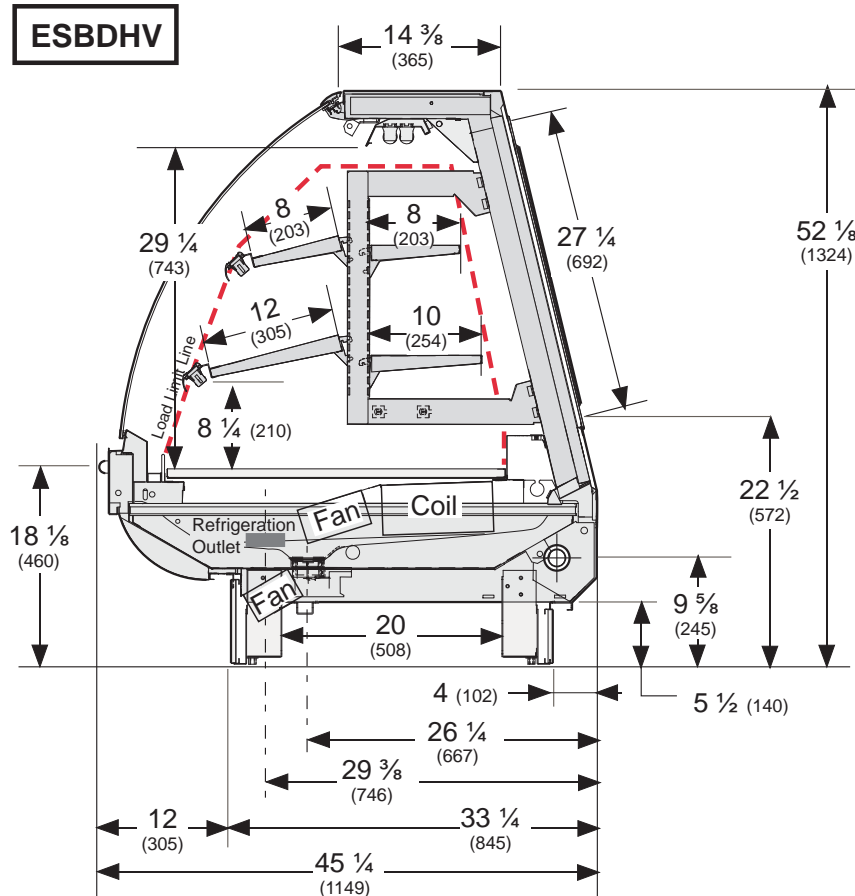
Front

	4 ft	6 ft	8 ft	12 ft
General				
(A) Case Length (<i>without ends or partitions</i>) <i>(Each end and insulated partition adds 1 in. (25 mm) to case line up.)</i>	48 1/4 (1226)	72 3/8 (1838)	96 3/8 (2448)	144 1/2 (3670)
Maximum O/S dimension back to front (<i>with bumper</i>)	45 1/4 (1149)	45 1/4 (1149)	45 1/4 (1149)	45 1/4 (1149)
Back of case to front of front panel	33 1/4 (845)	33 1/4 (845)	33 1/4 (845)	33 1/4 (845)
RH end of case to outside edge of external support	1 5/8 (41)	1 5/8 (41)	1 5/8 (41)	1 5/8 (41)
Distance between edges of external support and center support	NA	28 1/2 (724)	40 5/8 (1032)	40 5/8 (1032)
Distance between edges of center supports	NA	NA	NA	44 (1118)
Distance between edges of external supports	37 (940)	NA	NA	NA
Electrical Service  (<i>Electrical Field Wiring connection point</i>)				
(C) Length of electrical raceway	38 (965)	29 5/8 (752)	41 3/4 (1060)	41 3/4 (1060)
RH End of case to center of farthest knockout	10 3/8 (264)	10 (254)	10 1/4 (260)	10 1/4 (260)
Back of case to center of end knockout	3 5/8 (92)	3 5/8 (92)	3 5/8 (92)	3 5/8 (92)
(B) RH End of case to RH end of raceway	5 (127)	5 (127)	5 (127)	5 (127)
Waste Outlet 				
(D) RH End of case to the center of waste outlet	24 1/8 (613)	24 1/8 (613)	24 1/8 (613)	72 1/4 (1835)
LH End of case to the center of waste outlet	24 1/8 (613)	48 1/4 (1226)	72 1/4 (1835)	72 1/4 (1835)
Back O/S of case to center of waste outlet	26 1/4 (667)	26 1/4 (667)	26 1/4 (667)	26 1/4 (667)
Water Seal 				
Edge of water seal to center of waste outlet	4 (102)	4 (102)	4 (102)	4 (102)
Outside diameter of the drip pipe	1 1/2 (38)	1 1/2 (38)	1 1/2 (38)	1 1/2 (38)
<i>(Field installed water seal outlets, tees, and connectors are shipped with the merchandiser.)</i>				
Refrigeration Outlet 				
Back of case to center of refrigeration outlet	29 3/8 (746)	29 3/8 (746)	29 3/8 (746)	29 3/8 (746)
(E) RH end of case to center of refrigeration outlet	8 1/4 (210)	8 1/4 (210)	8 1/4 (210)	8 1/4 (210)

Elite ESBDHV
Meat & Delicatessen

DOE 2017 Energy Efficiency Compliant Hussmann refrigerated merchandisers configured for sale for use in the United States meet or surpass the requirements of the DOE 2017 energy efficiency standards.

Dimensions shown as in. and (mm).



REFRIGERATION DATA
Note: This data is based on store temperature and humidity that does not exceed 75°F and 55% R.H.

	ESBDHV§
Discharge Air (°F)	27
Evaporator (°F)	20
Unit Sizing (°F)	18

§ Average evaporator temperature shown. Use dew point for high glide refrigerants for unit sizing. Care should be taken to use the dew point in PT tables for measuring and adjusting superheat. Adjust evaporator pressure as needed to maintain discharge air temperature shown.

Btu/hr/ft‡	ESBDHV
Parallel	407
Conventional	426

‡Add 20 Btu/hr/ft per shelf row for fluorescent lamps.
Add 10 Btu/hr/ft per shelf row for LED lamps.

DEFROST DATA

	ESBDHV
Frequency (hr)	12
Defrost Water (lb/ft/day)	0.38
(± 15% based on case configuration and product loading).	
OFFTIME	ESBDHV
Temp Term (°F)	43
Failsafe (minutes)	90

ELECTRIC OR GAS Not Recommended

Standard Defrost Thermostat
Close on rise: close 43°F — open 33°F

CONVENTIONAL CONTROLS

Low Pressure Backup Control	ESBDHV
CI/CO (Temp °F)*	13
Indoor Unit Only, Pressure Defrost Termination (Temp °F)*	Not Recommended

*Use a Temperature Pressure Chart to determine PSIG conversions.

Estimated Charge**	ESBDHV
4 ft 0.8 lb 13 oz 0.4 kg	
6 ft 1.2 lb 19 oz 0.5 kg	
8 ft 1.5 lb 24 oz 0.7 kg	
12 ft 2.0 lb 32 oz 0.9 kg	

**This is an average for all refrigerant types. Actual refrigerant charge may vary by approximately half a pound (8 oz/0.2 kg).

NSF Certification

This merchandiser model is manufactured to meet NSF/ANSI (National Sanitation Foundation) Standard #7 requirements for construction, materials & cleanability.

Elite **ESBDHV** Meat & Delicatessen

Electrical Data

	4 ft	6 ft	8 ft	12 ft
Number of Fans				
Evaporator — 4W	1	2	2	3
Ambient — 4.5W	2	4	4	6
Export Evaporator – 4W	1	2	2	3
Export Ambient Air Wipe – 15W	2	4	4	6

			Amperes				Watts			
			4 ft	6 ft	8 ft	12 ft	4 ft	6 ft	8 ft	12 ft
Evaporator Fan										
120V	50/60Hz	Standard	0.31	0.62	0.62	0.93	24	48	48	72
120V	50/60Hz	High Efficiency	NA							
230V	50/60Hz	Export	0.18	0.36	0.36	0.54	27	54	54	81
Ambient Air Wipe Fans										
120V	50/60Hz	High Efficiency	0.2	0.4	0.4	0.6	9	18	18	27
230V	50/60Hz	Export	0.3	0.6	0.6	0.9	50	100	100	150
Constant-on Anti-Sweat Heaters (On/Off Switch Optional)										
120V	50/60Hz	High Efficiency	0.8	1.6	1.6	2.4	100	200	200	300
230V	50/60Hz	Export	1.74	3.48	3.48	5.22	400	800	800	1200
Minimum Circuit Ampacity										
120V	50/60Hz	Standard	1.64	3.28	3.28	4.91				
120V	50/60Hz	High Efficiency	NA							
230V	50/60Hz	Export	2.78	5.55	5.55	8.33				
Maximum Over Current Protection 120V			20	20	20	20				
Maximum Over Current Protection 230V			15	15	15	15				

ONLY LIGHTING CONFIGURATIONS THAT ARE COMPLIANT WITH THE U.S. DEPT. OF ENERGY (DOE) 2017 REGULATION ARE AVAILABLE FOR SALE FOR USE IN THE U.S.A.

Standard Fluorescent Lighting

2 Row Canopy	0.49	0.80	0.98	1.42	59	92	118	172
2 or 3 Row Shelves FRONT ONLY	0.71	1.20	1.42	2.13	86	138	172	258

Note: Back shelves are unlit. Front shelves are lit. Standard electrical load for Shelves is the same for 2 rows as for 3 rows.

Optional Fluorescent Lighting

1 Row Rail	0.26	0.40	0.49	0.71	30	46	59	86
1 Row Ledge	0.26	0.40	0.49	0.71	30	46	59	86

Optional EcoShine II IP67 LED

Canopy 2 Row Front	0.16	0.23	0.33	0.49	19.8	28.2	39.5	59.3
1 Row of Shelves	0.08	0.12	0.16	0.25	9.9	14.1	19.8	29.7
2 Rows of Shelves	0.16	0.23	0.33	0.49	19.8	28.2	39.5	59.3
1 Row Rail	0.08	0.12	0.16	0.25	9.9	14.1	19.8	29.7

115V Lighting Circuit Total = Standard Lighting + Total Optional Lighting + Optional Shelf Lighting

120V LED Lighting Circuit Total = Canopy Lighting + Shelf Lighting + Rail Lighting

230V Lighting Circuit Total = Multiply 115V Lighting Circuit Total by 0.52

Please note: some combinations of fluorescent lights on this case model may not be compliant with DOE 2017 and may not be available to order in the US and Canada. More lighting options are available with LED lights. The Hussmann Product Configurator will not allow lighting options that do not comply with the DOE 2017 standards.

Product Data

<i>Recommended Usable Cube</i> ¹ (Cu Ft/Ft)	6.10 ft ³ /ft (0.57 m ³ /m)
<i>AHRI Total Display Area</i> ² (Sq Ft/Ft)	4.81 ft ² /ft (1.47 m ² /m)
<i>Shelf Area</i> ³ (Sq Ft/Ft)	5.71 ft ² /ft (1.74 m ² /m)

¹ AHRI Refrigerated Volume less shelving and other unusable space: Refrigerated Volume/Unit of Length, ft³/ft [m³/m]

² Computed using AHRI 1200 standard methodology: Total Display Area, ft² [m²]/Unit of Length, ft [m]

³ Shelf surface area is composed of bottom deck plus standard shelf complement, as shown in the Hussmann **Product Reference Guide**. The standard shelf complement for this model is (1) front row of 8-inch shelves, (1) front row of 12-inch shelves, (1) rear row of 8-inch shelves and (1) rear row of 10-inch shelves.

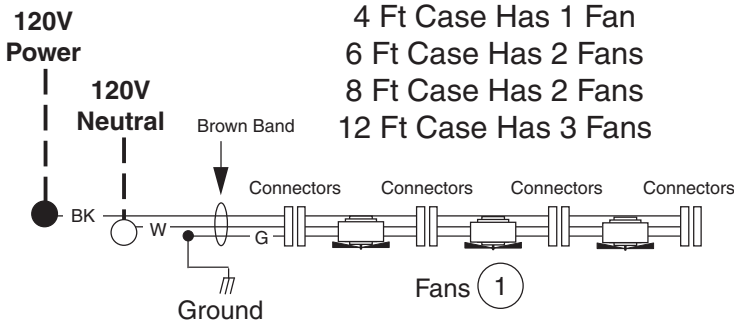
ESTIMATED SHIPPING WEIGHT ⁴

Case						Solid End
	<i>4 ft</i>	<i>6 ft</i>	<i>8 ft</i>	<i>10 ft</i>	<i>12 ft</i>	<i>(each)</i>
lb (kg)	700 (318)	800 (363)	1000 (454)	NA	1200 (544)	100 (45)

⁴ Actual weights will vary according to optional kits included.

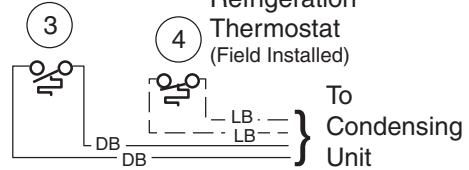
Fans

Fan Wiring Offtime Defrost



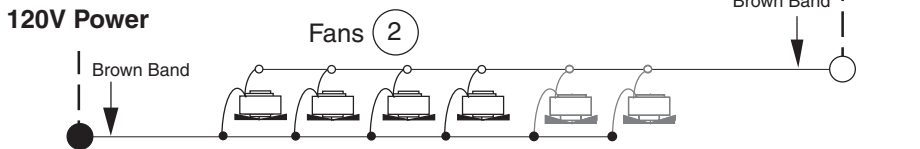
4 Ft Case Has 1 Fan
6 Ft Case Has 2 Fans
8 Ft Case Has 2 Fans
12 Ft Case Has 3 Fans

Defrost Termination Thermostat



Fans

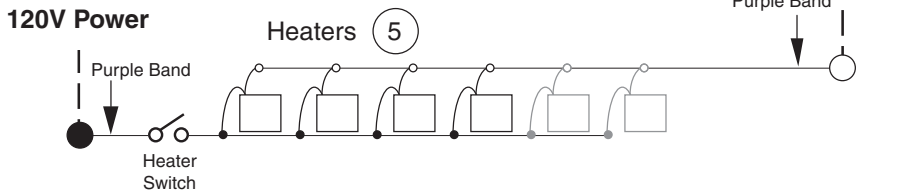
Ambient Fan Wiring Glass Air Wipe



4 Ft Case Has 2 Fans
6 Ft Case Has 4 Fans
8 Ft Case Has 4 Fans
12 Ft Case Has 6 Fans

Heaters

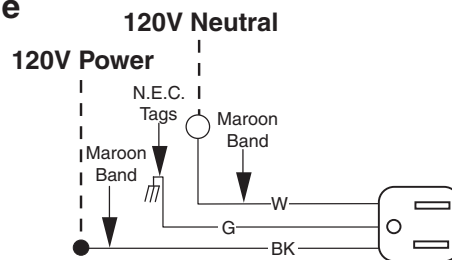
Ambient Heater Wiring



4 Ft Case Has 2 Heaters
6 Ft Case Has 4 Heaters
8 Ft Case Has 4 Heaters
12 Ft Case Has 6 Heaters

Electric Service Receptacle

Receptacles



WARNING

All components must have mechanical ground, and the merchandiser must be grounded.

Circled Numbers = Parts List Item Numbers

Grayed components in 12 foot models only.

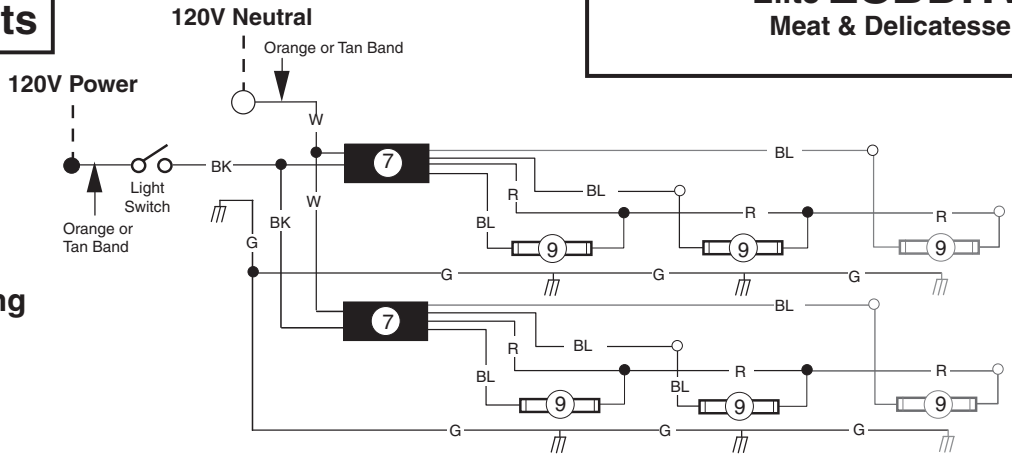
R = Red G = Green BL = Blue LB = Light Blue DB = Dark Blue BK = Black W = White

● = 120V Power ○ = 120V Neutral ⊥ = Field Ground ≡ = Case Ground

Light Circuits

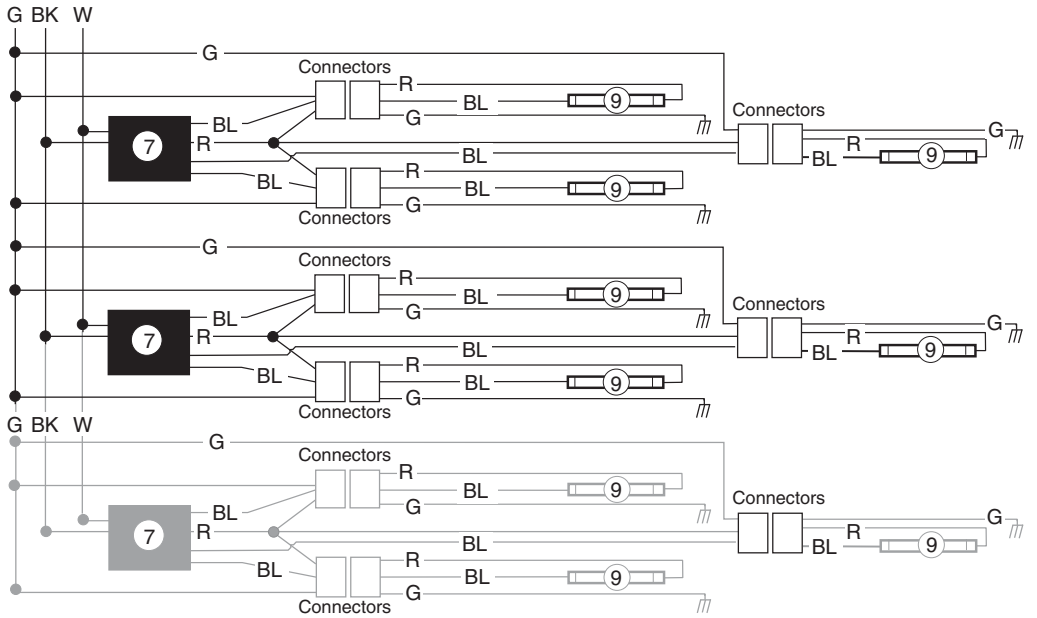
Elite ESBDHV
Meat & Delicatessen

Standard Lighting 2 Row Canopy

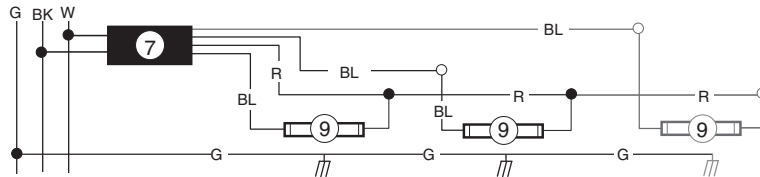


Standard Shelf Harness and Light Circuits for 2 or 3 Rows of Lighted Front Shelves

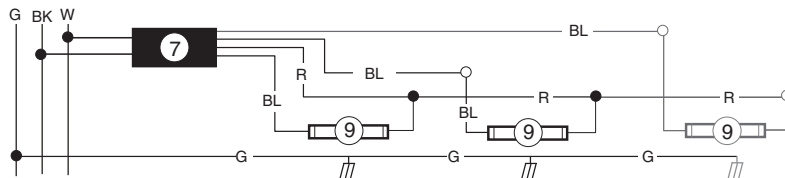
Rear Shelves
Are Unlit



Optional Rail Light Circuit



Optional Ledge Light Circuit



WARNING

All components must have mechanical ground, and the merchandiser must be grounded.

Circled Numbers = Parts List Item Numbers

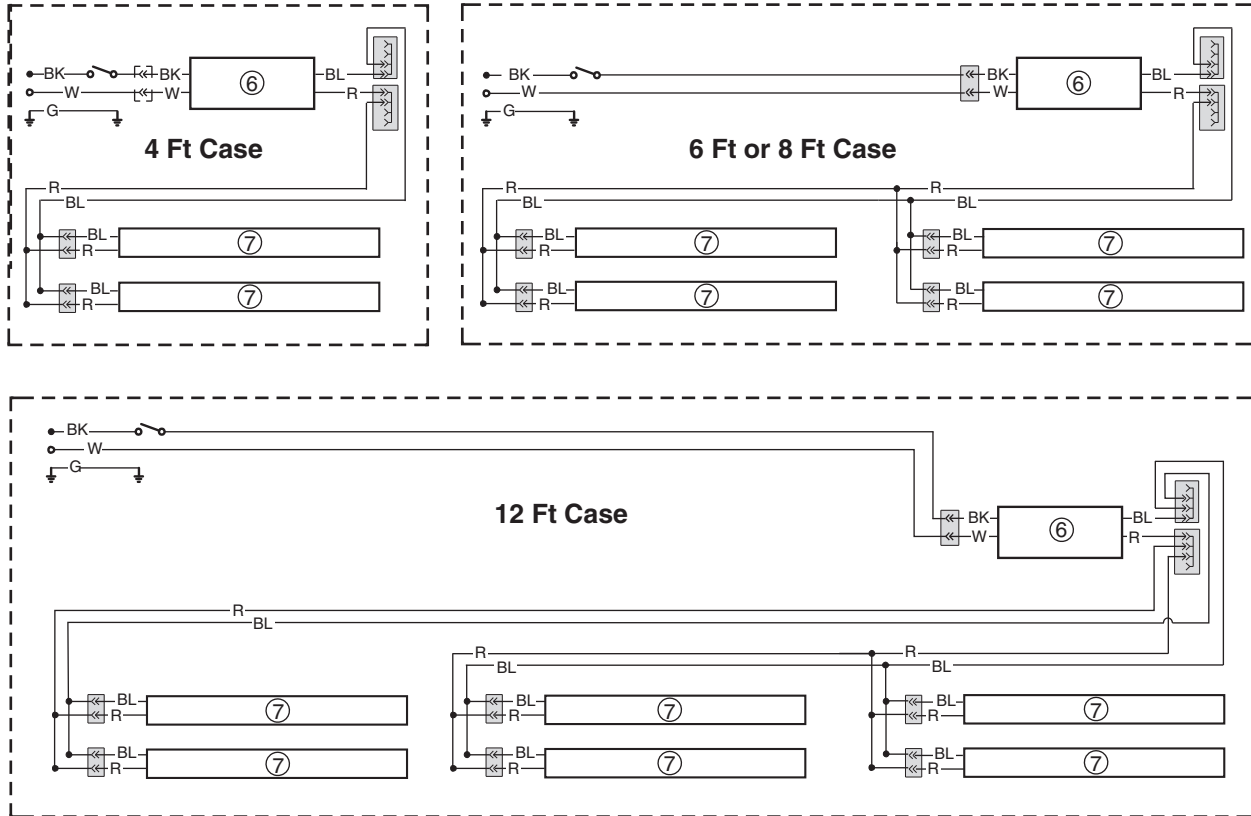
Grayed components in 12 foot models only.

R = Red G = Green BL = Blue BK = Black W = White

● = 120V Power ○ = 120V Neutral ⊥ = Field Ground ≡ = Case Ground

Optional Lighting LED Fixtures

EcoShine II LED Canopy Lighting – 2 Row



WARNING

All components must have mechanical ground, and the merchandiser must be grounded.

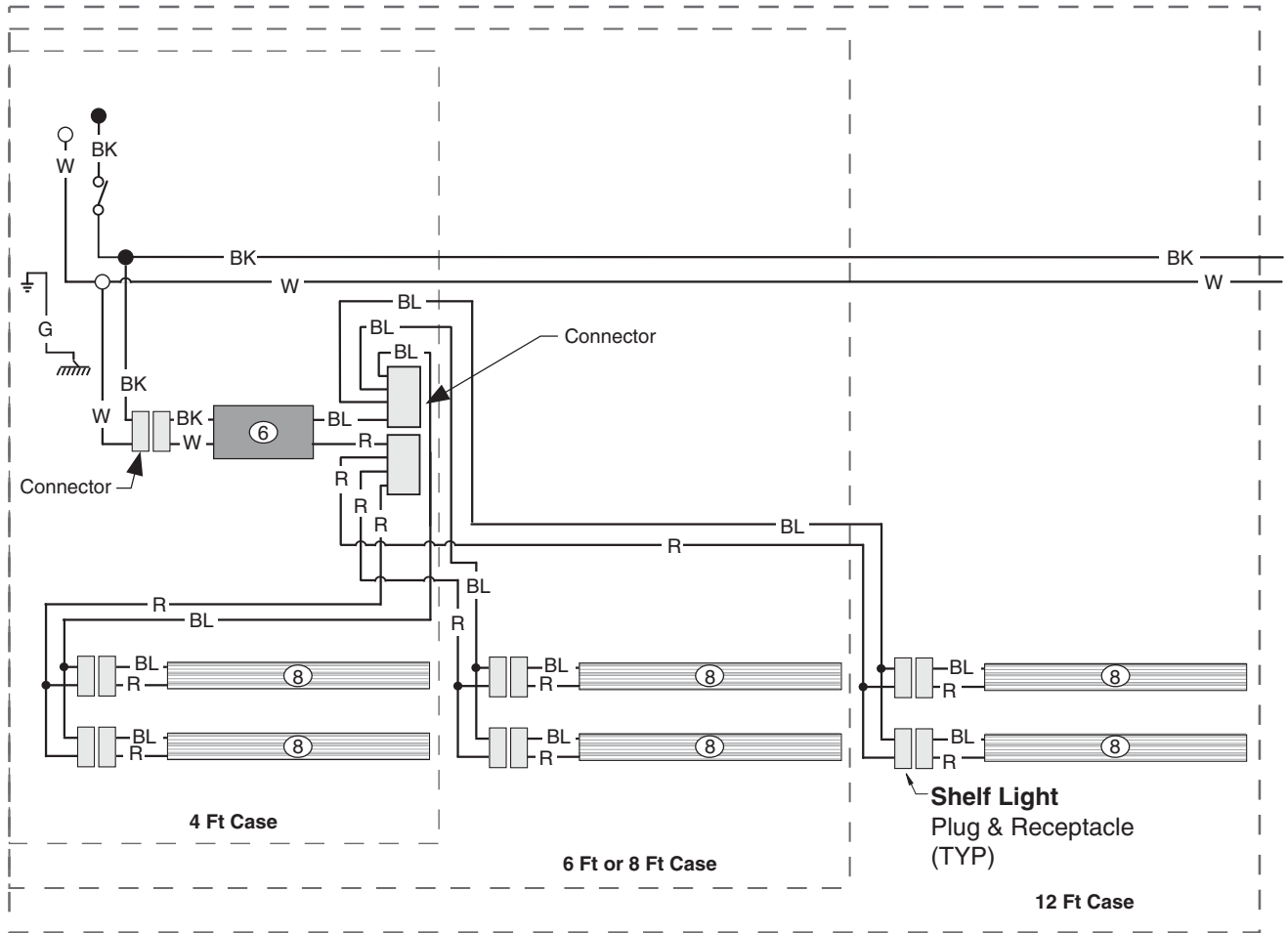
Circled Numbers = Parts List Item Numbers

R = Red Y = Yellow G = Green BL = Blue BK = Black W = White

● = 120V Power ○ = 120V Neutral ⊥ = Field Ground ≡ = Case Ground

**Optional Lighting
LED Fixtures**

Optional Shelf Harness and LED Light Circuits for Two Rows of Shelves



WARNING

All components must have mechanical ground, and the merchandiser must be grounded.

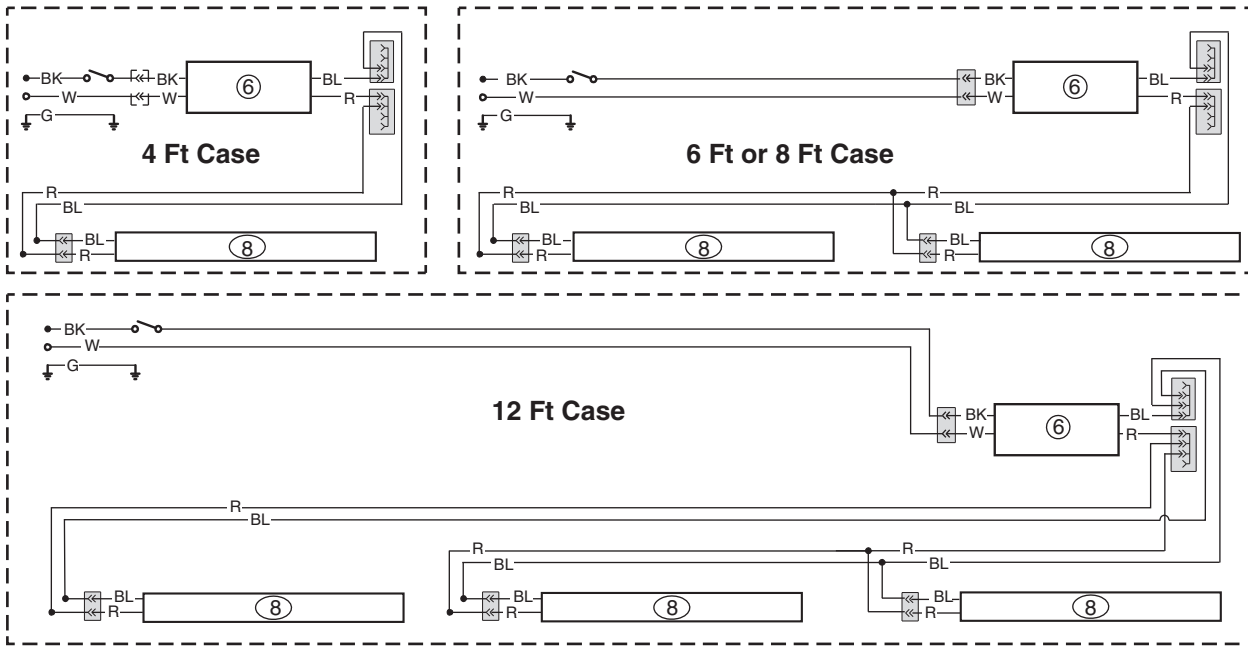
Circled Numbers = Parts List Item Numbers

R = Red Y = Yellow G = Green BL = Blue BK = Black W = White

● = 120V Power ○ = 120V Neutral ⊥ = Field Ground ≡ = Case Ground

Optional Lighting LED Fixtures

EcoShine II LED Rail Lighting – 1 Row



WARNING

All components must have mechanical ground, and the merchandiser must be grounded.

Circled Numbers = Parts List Item Numbers

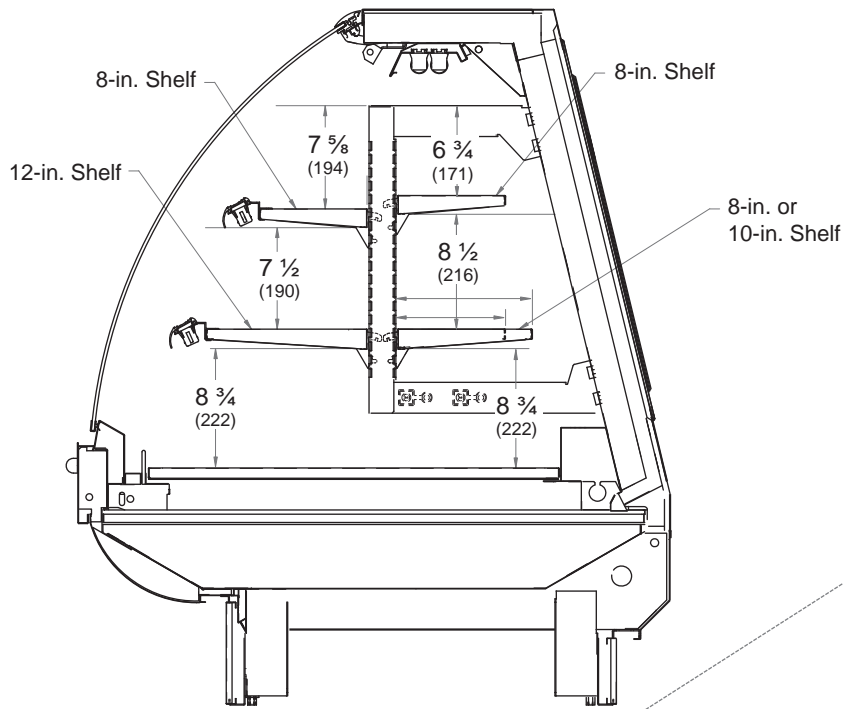
R = Red Y = Yellow G = Green BL = Blue BK = Black W = White

● = 120V Power ○ = 120V Neutral \perp = Field Ground \perp = Case Ground

Shelf Configuration Options for Elite High Volume Service Case

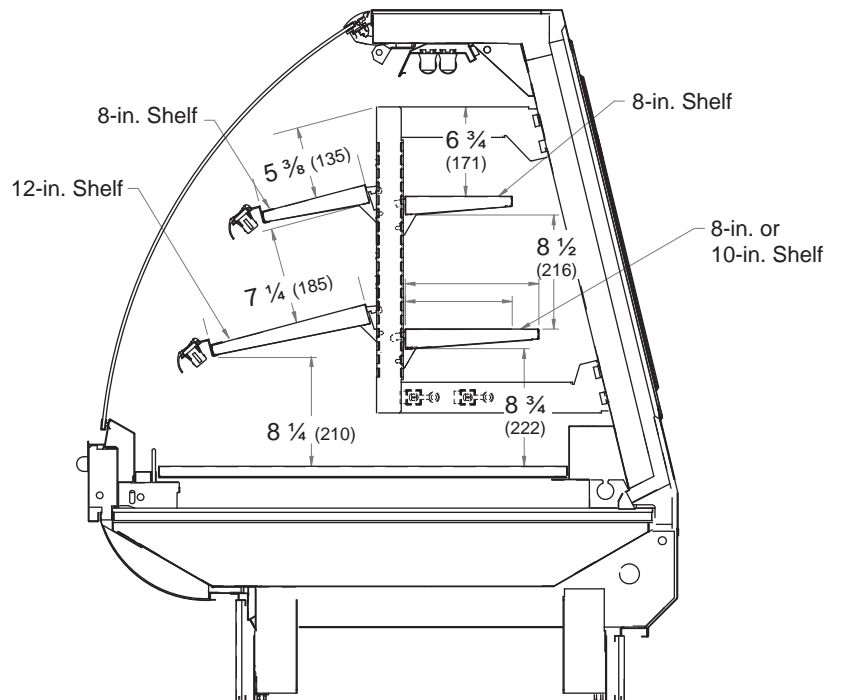
Elite ESBDHV
Meat & Delicatessen

Two Level Front Shelves, Two Level Back Shelves

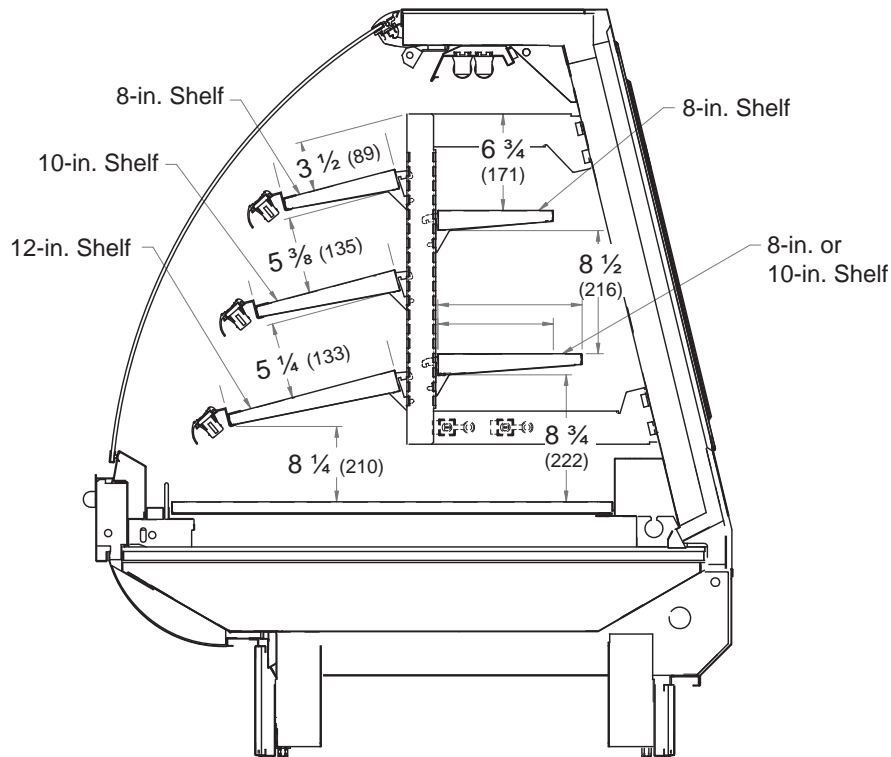


Each of these high volume cases must be equipped with one of the three shelf arrangements shown herein. Use of nonstandard shelf arrangements may adversely affect performance.

Two Angled Front Shelves, Two Level Back Shelves



Three Angled Front Shelves, Two Level Back Shelves



Each of these high volume cases must be equipped with one of the three shelf arrangements shown herein. Use of nonstandard shelf arrangements may adversely affect performance.