

We reserve the right to change or revise specifications and product design in connection with any feature of our products. Such changes do not entitle the buyer to corresponding changes, improvements, additions or replacements for equipment previously sold or shipped.

Item	Part #	Description	Wiring Item #	Item	Part #	Description	Wiring Item #
FAN ASSEMBLIES AND THERMOSTATS				LAMPS AND BALLASTS			
A.	4W Standard	Fan Assembly	(1)	F.	Ballast, Electronic		
	0392457	Fan Motor, Evaporator – 120V			0355716	2 lamps – 120V	(7)
	0409511	Fan Blade – 120V embossing toward motor			0355398	3 lamps – 120V	(8)
		4W Export Fan Assembly	(1)		0440215	2 lamps – (230V 50-60 Hz)	(7)
	0436517	Fan Motor, Evaporator – 230V			0428652	3 lamps – (230V 50-60 Hz)	(8)
	0409512	Fan Blade – 230V embossing toward motor			0385104	Ballast Transformer 230V 50-60 Hz, per ballast	
B.	Ambient	Fan Assembly		G.		Fluorescent Lamp <i>Replace with like fixtures</i>	(9)
	0522287	120V	(2)	LED FIXTURES AND POWER SUPPLY			
	0404552	230V		H.	0501213	Power Supply	(10)
C.	0382028	Standard Non-adjustable Defrost Thermostat	(3)	J.		LED Canopy Fixture <i>Replace with like fixtures</i>	(11)
D.	0353949	Optional Adjustable Refrigeration Thermostat	(4)	K.		LED Shelf Fixture <i>Replace with like fixtures</i>	(12)
HEATERS							
E.	Heater, Ambient						
	0522289	120V	(5)				
	0474031	230V	(6)				

Data sheet-Elite-ESBDS

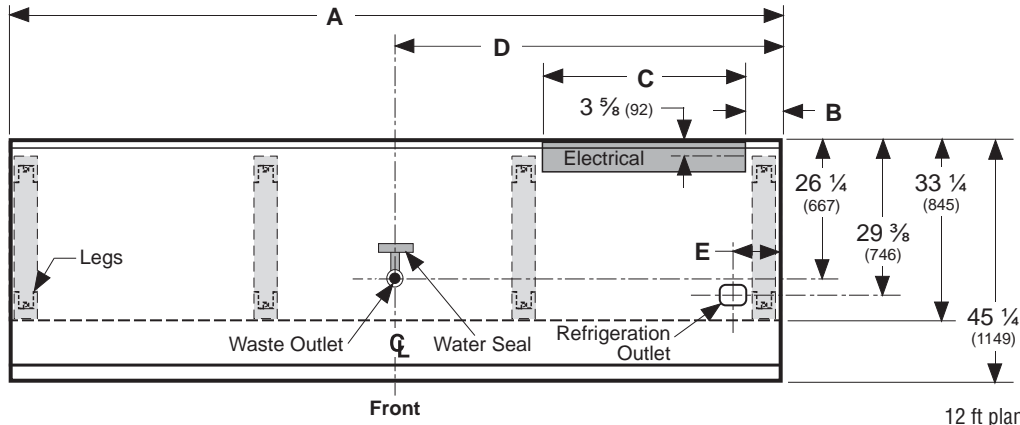
Note: Revision D: April 2017. Updated LED energy values. Other changes marked with a bar, circle or underline.





Engineering Plan Views

PHYSICAL DATA	
Merchandiser Drip Pipe (in.)	1 1/2
Merchandiser Liquid Line (in.)	3/8
Merchandiser Suction Line (in.)	7/8

Meat & Delicatessen

Dimensions shown as in. and (mm).



	4 ft	6 ft	8 ft	12 ft
General				
(A) Case Length <i>(without ends or partitions)</i> <i>(Each end and insulated partition adds 1 in. (25 mm) to case line up.)</i>	48 1/4 (1226)	72 1/4 (1835)	96 3/8 (2448)	144 1/2 (3670)
Maximum O/S dimension back to front <i>(with bumper)</i>	45 1/4 (1149)	45 1/4 (1149)	45 1/4 (1149)	45 1/4 (1149)
Back of case to front of front panel	33 1/4 (845)	33 1/4 (845)	33 1/4 (845)	33 1/4 (845)
RH end of case to outside edge of external support	1 5/8 (41)	1 5/8 (41)	1 5/8 (41)	1 5/8 (41)
Distance between edges of external support and center support	NA	28 1/2 (724)	40 5/8 (1032)	40 5/8 (1032)
Distance between edges of center supports	NA	NA	NA	44 (1118)
Distance between edges of external supports	37 (940)	NA	NA	NA
Electrical Service  <i>(Electrical Field Wiring connection point)</i>				
(C) Length of electrical raceway	38 3/4 (984)	29 5/8 (752)	41 3/4 (1060)	41 3/4 (1060)
RH End of case to center of farthest knockout	10 3/8 (264)	10 (254)	10 1/4 (260)	10 1/4 (260)
Back of case to center of end knockout	3 5/8 (92)	3 5/8 (92)	3 5/8 (92)	3 5/8 (92)
(B) RH End of case to RH end of raceway	5 (127)	5 (127)	5 (127)	5 (127)
Waste Outlet 				
(D) RH End of case to the center of waste outlet	24 1/8 (613)	24 1/8 (613)	24 1/8 (613)	72 1/4 (1835)
LH End of case to the center of waste outlet	24 1/8 (613)	48 1/4 (1226)	72 1/4 (1835)	72 1/4 (1835)
Back O/S of case to center of waste outlet	26 1/4 (667)	26 1/4 (667)	26 1/4 (667)	26 1/4 (667)
Water Seal 				
Edge of water seal to center of waste outlet	4 (102)	4 (102)	4 (102)	4 (102)
Outside diameter of the drip pipe	1 1/2 (38)	1 1/2 (38)	1 1/2 (38)	1 1/2 (38)
<i>(Field installed water seal outlets, tees, and connectors are shipped with the merchandiser.)</i>				
Refrigeration Outlet 				
Back of case to center of refrigeration outlet	29 3/8 (746)	29 3/8 (746)	29 3/8 (746)	29 3/8 (746)
(E) RH end of case to center of refrigeration outlet	8 1/4 (210)	8 1/4 (210)	8 1/4 (210)	8 1/4 (210)

Elite Straight Hinged Glass, Blower, 1 Display Level

DOE 2017 Energy Efficiency Compliant Hussmann refrigerated merchandisers configured for sale for use in the United States meet or surpass the requirements of the DOE 2017 energy efficiency standards.



REFRIGERATION DATA

Note: This data is based on store temperature and humidity that does not exceed 75°F and 55% R.H.

	ESBDS [§]
Discharge Air (°F)	25
Evaporator (°F)	20
Unit Sizing (°F)	18

[§] Average evaporator temperature shown. Use dew point for high glide refrigerants for unit sizing. Care should be taken to use the dew point in PT tables for measuring and adjusting superheat. Adjust evaporator pressure as needed to maintain discharge air temperature shown.

Btu/hr/ft [‡]	ESBDS
Parallel	355
Conventional	380

[‡]Add 20 Btu/hr/ft per shelf row for fluorescent lamps. Add 10 Btu/hr/ft per shelf row for LED lamps.

DEFROST DATA

	ESBDS
Frequency (hr)	12
Defrost Water (lb/ft/day)	0.5

(± 15% based on case configuration and product loading).

OFFTIME	ESBDS
Temp Term (°F)	43
Failsafe (minutes)	90

ELECTRIC OR GAS Not Recommended

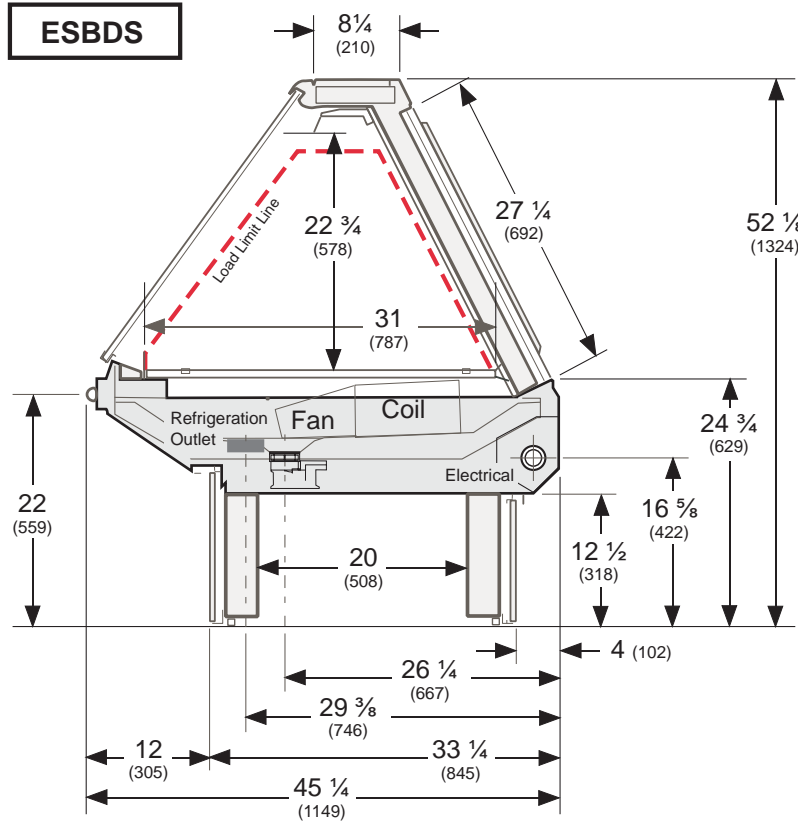
Standard Defrost Thermostat
Close on rise: close 43°F — open 33°F

CONVENTIONAL CONTROLS

Low Pressure Backup Control	ESBDS
CI/CO (Temp °F)*	13

Indoor Unit Only, Pressure Defrost Termination (Temp °F)*
Not Recommended
*Use a Temperature Pressure Chart to determine PSIG conversions.

Dimensions shown as in. and (mm).



Estimated Charge**	ESBDS			
4 ft	0.8 lb	13 oz	0.4 kg	
6 ft	1.2 lb	19 oz	0.5 kg	
8 ft	1.5 lb	24 oz	0.7 kg	
12 ft	2.0 lb	32 oz	0.9 kg	

**This is an average for all refrigerant types. Actual refrigerant charge may vary by approximately half a pound (8 oz/0.2 kg).

NSF Certification

This merchandiser model is manufactured to meet NSF/ANSI (National Sanitation Foundation) Standard #7 requirements for construction, materials & cleanability.

Elite ESBDS

Meat & Delicatessen

Electrical Data

Number of Fans	4 ft	6 ft	8 ft	12 ft
Evaporator — 4W	1	2	2	3
Ambient — 4.5W	2	4	4	6

Export Evaporator – 4W	1	2	2	3
Export Ambient Air Wipe – 15W	2	4	4	6

	Amperes				Watts			
	4 ft	6 ft	8 ft	12 ft	4 ft	6 ft	8 ft	12 ft
Evaporator Fan								
120V 50/60Hz Standard	0.31	0.62	0.62	0.93	24	48	48	72
120V 50/60Hz High Efficiency	NA							
230V 50/60Hz Export	0.18	0.36	0.36	0.54	27	54	54	81

Ambient Air Wipe Fans										
120V	50/60Hz	High Efficiency	0.2	0.4	0.4	0.6	9	18	18	27
230V	50/60Hz	Export	0.3	0.6	0.6	0.9	50	100	100	150

Constant-on Anti-Sweat Heaters (On/Off Switch Optional)										
120V	50/60Hz	High Efficiency	0.8	1.6	1.6	2.4	100	200	200	300
230V	50/60Hz	Export	1.74	3.48	3.48	5.22	400	800	800	1200

Minimum Circuit Ampacity										
120V	50/60Hz	Standard	1.64	3.28	3.28	4.91				
120V	50/60Hz	High Efficiency	NA							
230V	50/60Hz	Export	2.78	5.55	5.55	8.33				

Maximum Over Current Protection 120V	20	20	20	20
Maximum Over Current Protection 230V	15	15	15	15

ONLY LIGHTING CONFIGURATIONS THAT ARE COMPLIANT WITH THE U.S. DEPT. OF ENERGY (DOE) 2017 REGULATION ARE AVAILABLE FOR SALE FOR USE IN THE U.S.A.

Standard Lighting (T-8 fluorescent) (120V 60hz)	4 ft	6 ft	8 ft	12 ft	4 ft	6 ft	8 ft	12 ft
2 Row Canopy	0.49	0.80	0.98	1.42	59	92	118	171

Optional Lighting (T-8 fluorescent)									
1 Row Rail	0.26	0.40	0.49	0.71	30	46	59	86	
1 Row Ledge	0.26	0.40	0.49	0.71	30	46	59	86	
1 Row Shelves	0.26	0.40	0.49	0.71	30	46	59	86	
2 Row Shelves	0.49	0.80	0.98	1.42	59	92	118	171	

EcoShine II IP67 LED									
Canopy 2 Row Front	0.16	0.23	0.33	0.49	19.8	28.2	39.5	59.3	
1 Row of Shelves	0.08	0.12	0.16	0.25	9.9	14.1	19.8	29.7	
2 Rows of Shelves	0.16	0.23	0.33	0.49	19.8	28.2	39.5	59.3	
1 Row Rail	0.08	0.12	0.16	0.25	9.9	14.1	19.8	29.7	

115V Lighting Circuit Total = Standard Lighting + Total Optional Lighting + Optional Shelf Lighting

120V LED Lighting Circuit Total = Canopy Lighting + Shelf Lighting + Rail Lighting

230V Lighting Circuit Total = Multiply 115V Lighting Circuit Total by 0.52

Please note: some combinations of fluorescent lights on this case model may not be compliant with DOE 2017 and may not be available to order in the US and Canada. More lighting options are available with LED lights. The Hussmann Product Configurator will not allow lighting options that do not comply with the DOE 2017 standards.

Product Data

<i>Recommended Usable Cube</i> ¹ (Cu Ft/Ft)	2.55 ft ³ /ft (0.24 m ³ /m)
<i>AHRI Total Display Area</i> ² (Sq Ft/Ft)	4.43 ft ² /ft (1.35 m ² /m)
<i>Shelf Area</i> ³ (Sq Ft/Ft)	4.43 ft ² /ft (1.35 m ² /m)

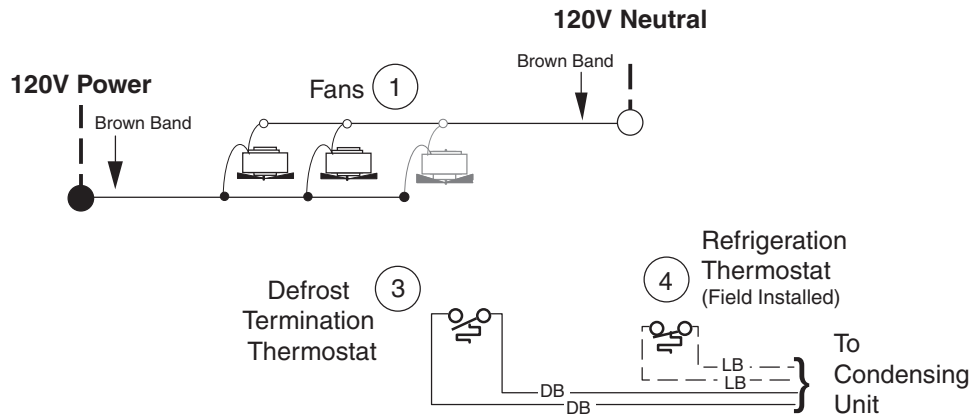
- ¹ AHRI Refrigerated Volume less shelving and other unusable space: Refrigerated Volume/Unit of Length, ft³/ft [m³/m]
- ² Computed using AHRI 1200 standard methodology: Total Display Area, ft² [m²]/Unit of Length, ft [m]
- ³ Shelf surface area is composed of bottom deck plus standard shelf complement, as shown in the Hussmann *Product Reference Guide*. The standard shelf complement for this model is NONE. Optional shelving complement is two rows: 1 row of 10-inch shelves and 1 row of 12-inch shelves.

ESTIMATED SHIPPING WEIGHT ⁴

Case					Solid End
	<i>4 ft</i>	<i>6 ft</i>	<i>8 ft</i>	<i>12 ft</i>	<i>(each)</i>
lb (kg)	600 (272)	700 (318)	1100 (499)	1200 (545)	100 (45)

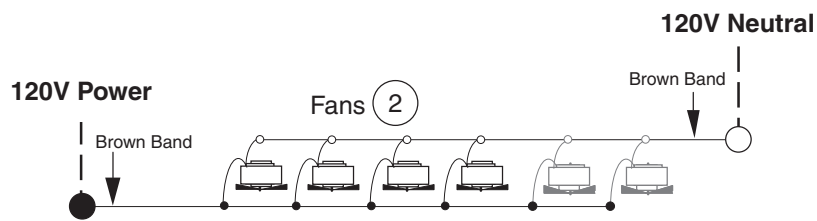
⁴ Actual weights will vary according to optional kits included.

Fan Wiring Offtime Defrost



4 Ft Case Has 1 Fan
6 Ft Case Has 2 Fans
8 Ft Case Has 2 Fans
12 Ft Case Has 3 Fans

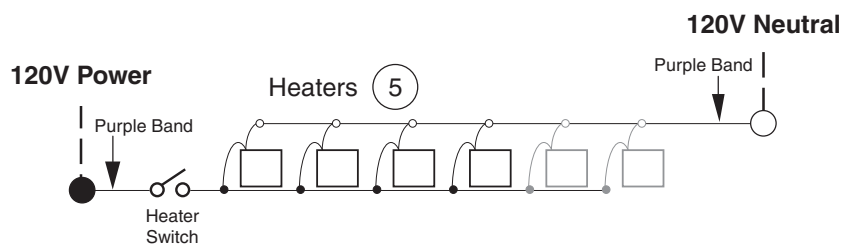
Ambient Fan Wiring Glass Air Wipe



4 Ft Case Has 2 Fans
6 Ft Case Has 4 Fans
8 Ft Case Has 4 Fans
12 Ft Case Has 6 Fans

Fans

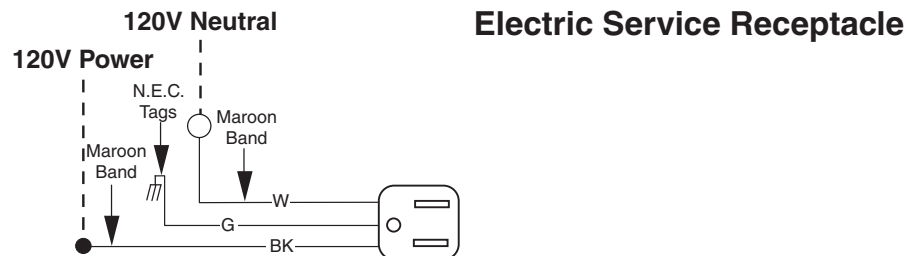
Ambient Heater Wiring



4 Ft Case Has 2 Heaters
6 Ft Case Has 4 Heaters
8 Ft Case Has 4 Heaters
12 Ft Case Has 6 Heaters

Heaters

Receptacles



WARNING

All components must have mechanical ground, and the merchandiser must be grounded.

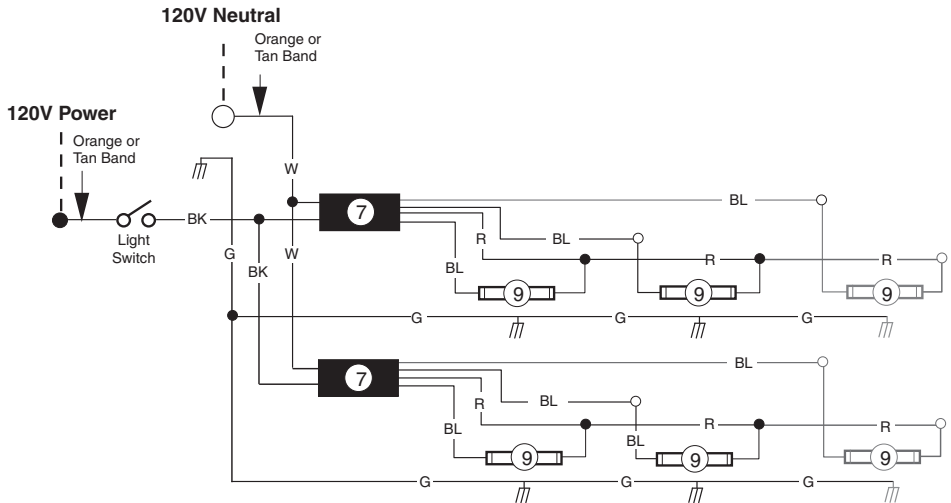
Circled Numbers = Parts List Item Numbers

Grayed components in 12 foot models only.

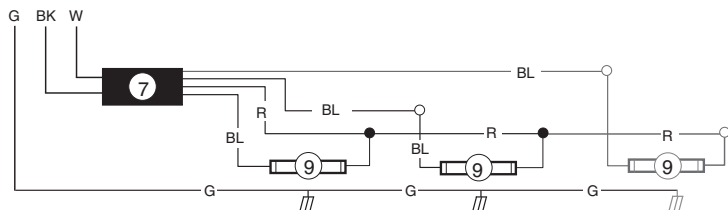
R = Red G = Green BL = Blue LB = Light Blue DB = Dark Blue BK = Black W = White

● = 120V Power ○ = 120V Neutral ⊥ = Field Ground ≡ = Case Ground

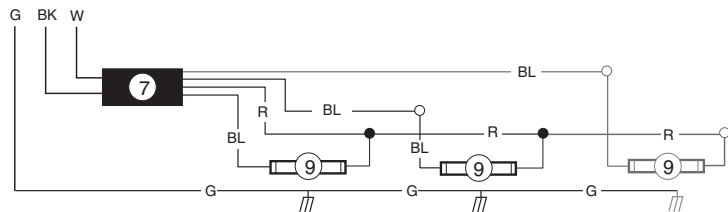
Standard Lighting - 2 Row Canopy



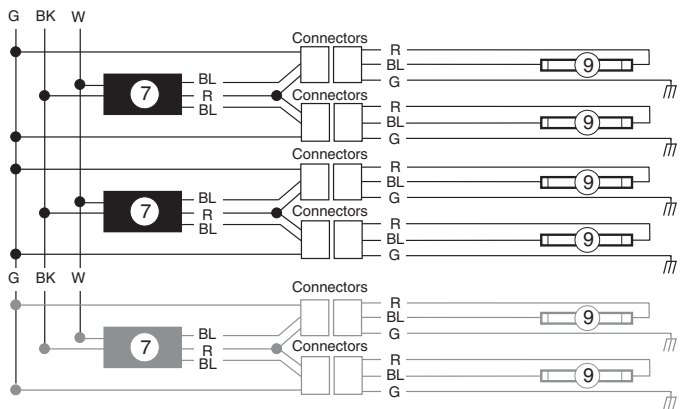
Optional Rail Light Circuit



Optional Ledge Light Circuit



Optional Shelf Harness and Light Circuits



WARNING

All components must have mechanical ground, and the merchandiser must be grounded.

Circled Numbers = Parts List Item Numbers

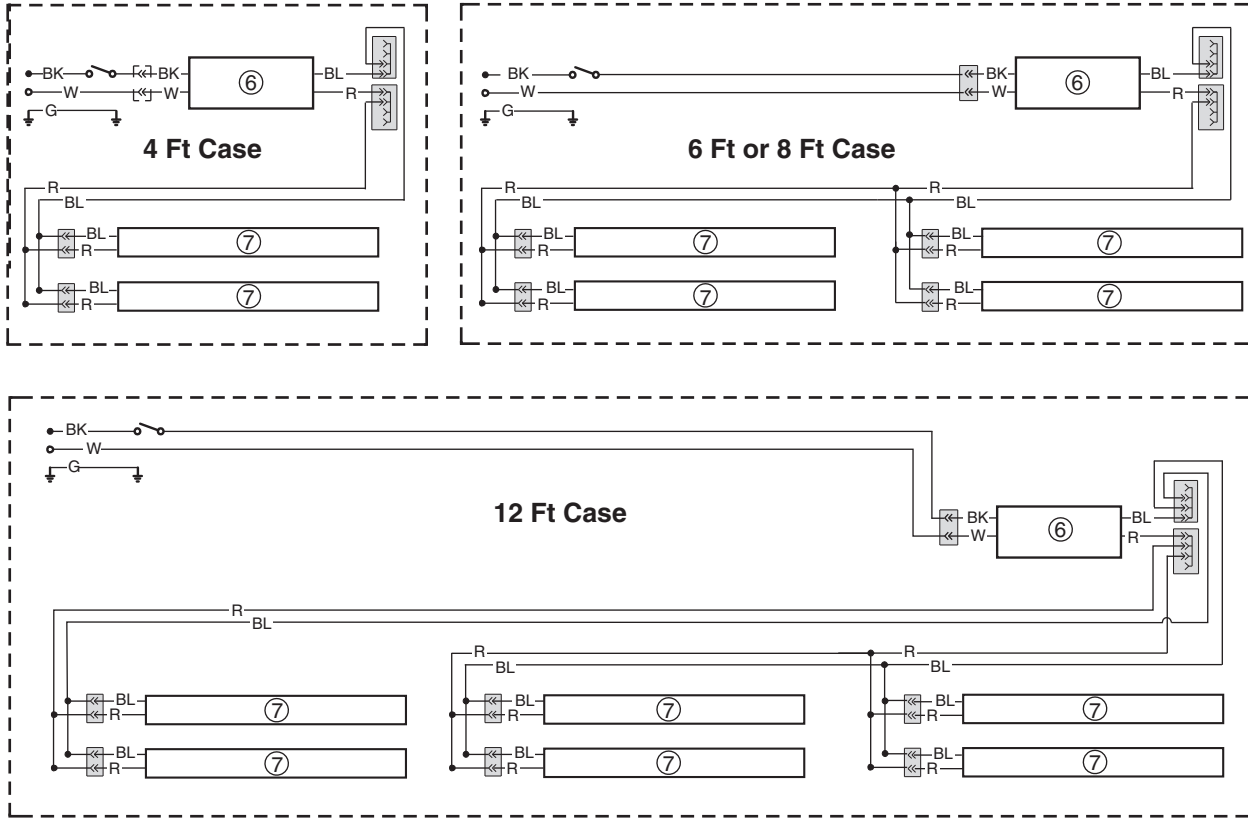
Grayed components in 12 foot models only.

R = Red G = Green BL = Blue BK = Black W = White

● = 120V Power ○ = 120V Neutral ⊥ = Field Ground ≡ = Case Ground

Optional Lighting LED Fixtures

EcoShine II LED Canopy Lighting – 2 Row



WARNING

All components must have mechanical ground, and the merchandiser must be grounded.

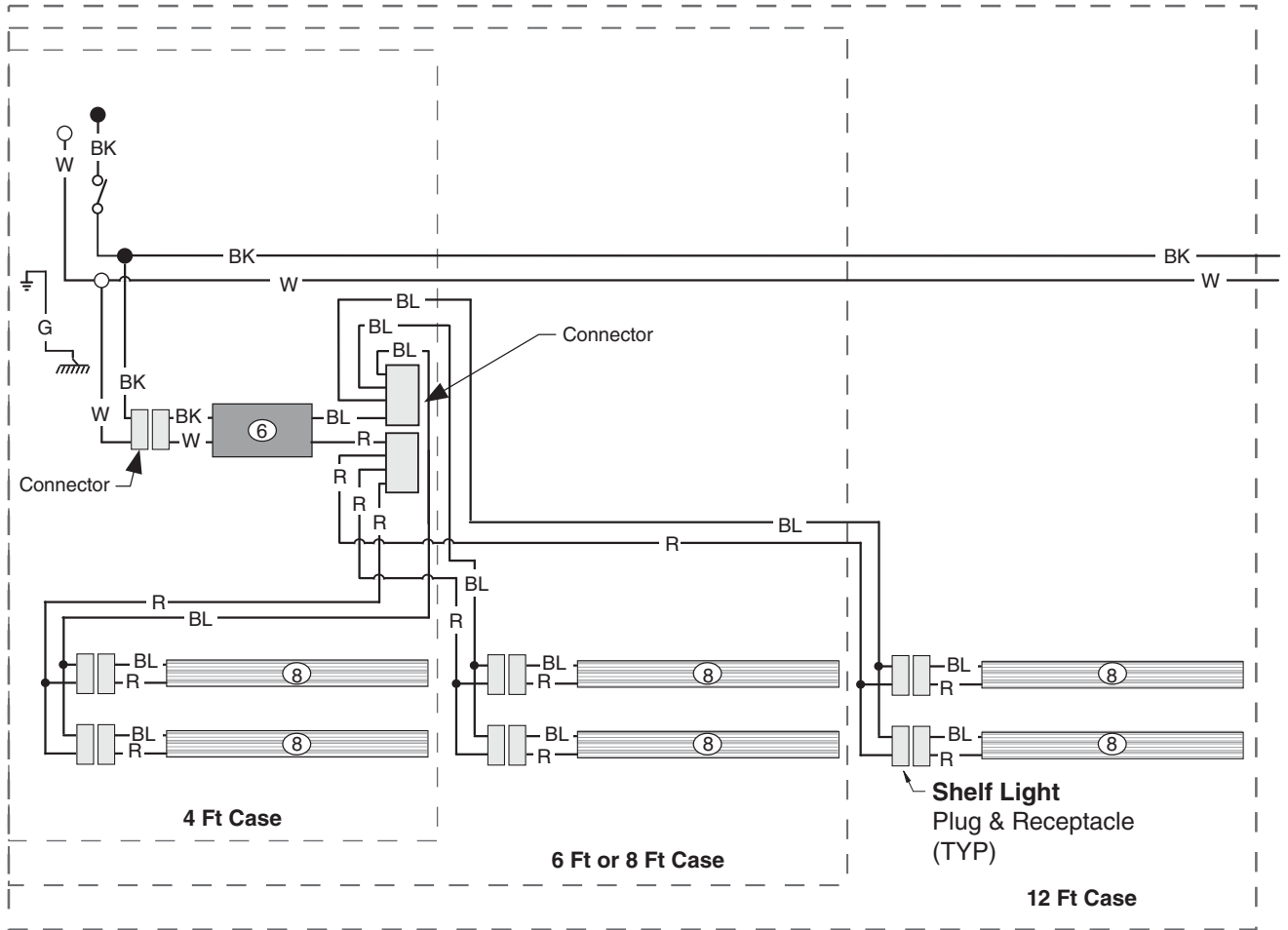
Circled Numbers = Parts List Item Numbers

R = Red Y = Yellow BL = Blue BK = Black W = White

● = 120V Power ○ = 120V Neutral \perp = Field Ground /// = Case Ground

**Optional Lighting
LED Fixtures**

Optional Shelf Harness and LED Light Circuits for Two Rows of Shelves



WARNING

All components must have mechanical ground, and the merchandiser must be grounded.

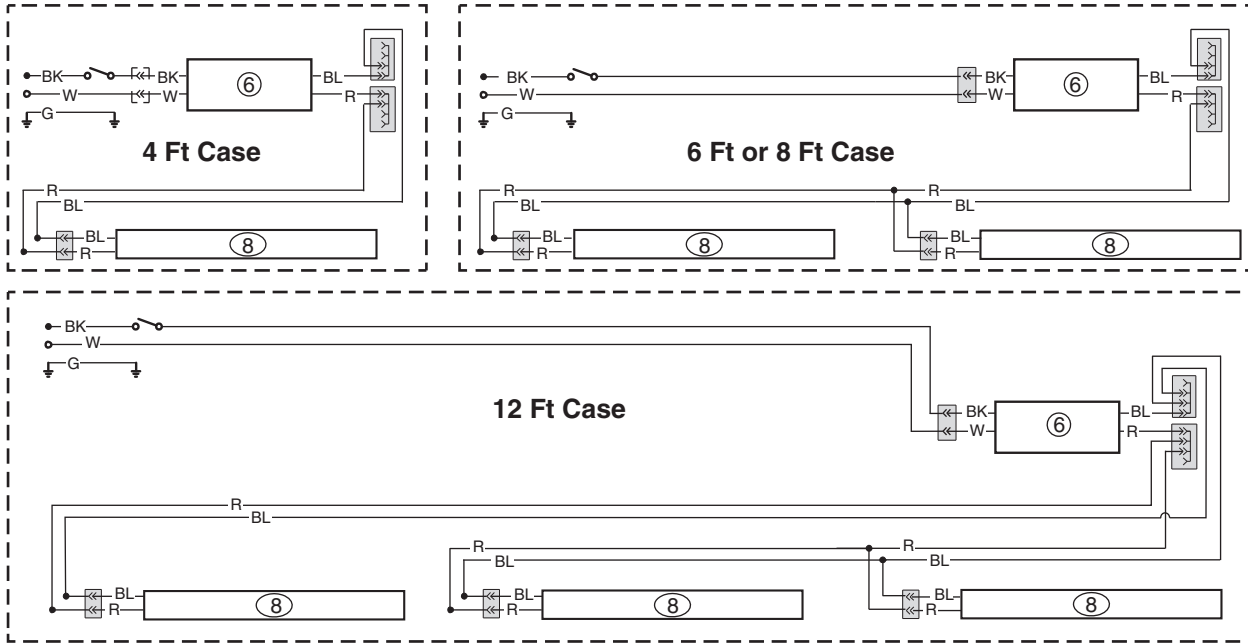
Circled Numbers = Parts List Item Numbers

R = Red Y = Yellow BL = Blue BK = Black W = White

● = 120V Power ○ = 120V Neutral ⊥ = Field Ground ⏏ = Case Ground

Optional Lighting LED Fixtures

EcoShine II LED Rail Lighting – 1 Row



WARNING

All components must have mechanical ground, and the merchandiser must be grounded.

Circled Numbers = Parts List Item Numbers

R = Red Y = Yellow BL = Blue BK = Black W = White

● = 120V Power ○ = 120V Neutral ⊥ = Field Ground ≡ = Case Ground