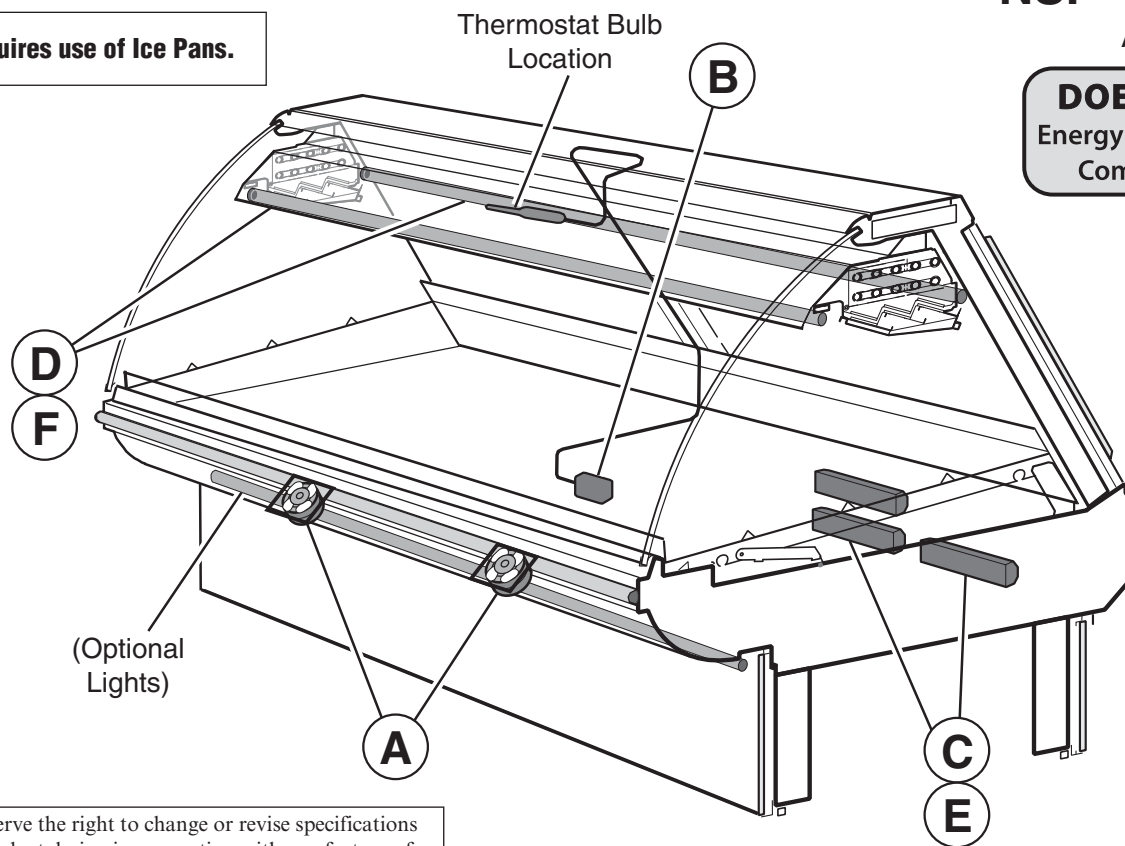


**Requires use of Ice Pans.**



We reserve the right to change or revise specifications and product design in connection with any feature of our products. Such changes do not entitle the buyer to corresponding changes, improvements, additions or replacements for equipment previously sold or shipped.

Item	Part #	Description	Wiring Item #	Item	Part #	Description	Wiring Item #
<b>FAN ASSEMBLIES AND THERMOSTATS</b>				<b>LAMPS AND BALLASTS</b>			
A.	0522287	High Efficiency Fan Motor, Ambient (120V)	(1)	C.	0385104	Ballast Transformer (230V 50-60 Hz, per ballast)	
	0404552	Fan Motor, Ambient (230V)		D.		Fluorescent Lamp <i>Replace with like fixtures</i>	(5)
B.	0353949	Optional Adjustable Refrigeration Thermostat	(2)	<b>LED FIXTURES AND POWER SUPPLY</b>			
<b>LAMPS AND BALLASTS</b>				E.	0501213	Power Supply	(6)
C.		Ballast, Electronic,		F.		LED Canopy Fixture <i>Replace with like fixtures</i>	(7)
	0355716	<b>2 lamps</b> (120V)	(3)	G.		LED Rail Fixture <i>Replace with like fixtures</i>	(8)
	0355398	<b>3 lamps</b> (120V)	(4)				
	0440215	<b>2 lamps</b> (230V)	(3)				
	0428652	<b>3 lamps</b> (230V)	(4)				

Data sheet-Elite-ESGS

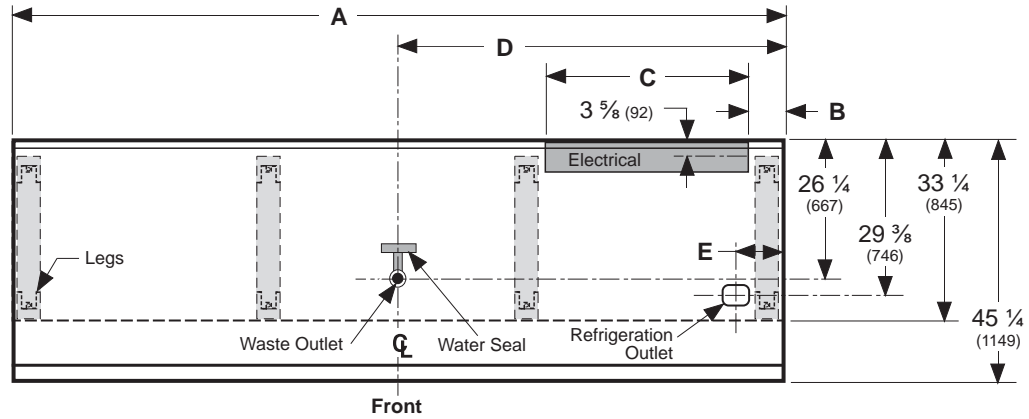
Note: Revision D: April 2017. Updated LED energy values. Other changes marked with a bar, circle or underline.





# Engineering Plan Views

PHYSICAL DATA	
Merchandiser Drip Pipe (in.)	1 1/2
Merchandiser Liquid Line (in.)	3/8
Merchandiser Suction Line (in.)	5/8

## Elite Curved Glass Seafood/Meat/Delicatessen

Dimensions shown as in. and (mm).



	4 ft	6 ft	8 ft	12 ft
<b>General</b>				
(A) Case Length <i>(without ends or partitions)</i> <i>(Length Added to Lineup by Each End/Partition: 1 inch)</i>	48 1/4 (1226)	72 3/8 (1838)	96 3/8 (2448)	144 1/2 (3670)
Maximum O/S dimension back to front <i>(with bumper)</i>	45 1/4 (1149)	45 1/4 (1149)	45 1/4 (1149)	45 1/4 (1149)
Back of case to front of front panel	33 1/4 (845)	33 1/4 (845)	33 1/4 (845)	33 1/4 (845)
RH end of case to outside edge of external support	1 5/8 (41)	1 5/8 (41)	1 5/8 (41)	1 5/8 (41)
Distance between edges of external support and center support	NA	28 1/2 (724)	40 5/8 (1032)	40 5/8 (1032)
Distance between edges of center supports	NA	NA	NA	44 (1118)
Distance between edges of external supports	37 (940)	NA	NA	NA
<b>Electrical Service</b>  <i>(Electrical Field Wiring connection point)</i>				
(C) Length of electrical raceway	38 (965)	29 5/8 (752)	41 3/4 (1060)	41 3/4 (1060)
RH End of case to center of farthest knockout	10 3/8 (264)	10 (254)	10 3/8 (264)	10 1/4 (260)
Back of case to center of end knockout	3 5/8 (92)	3 5/8 (92)	3 5/8 (92)	3 5/8 (92)
(B) RH End of case to RH end of raceway	5 (127)	5 (127)	5 (127)	5 (127)
<b>Waste Outlet</b> 				
(D) RH End of case to the center of waste outlet	24 1/8 (613)	24 1/8 (613)	24 1/8 (613)	72 1/4 (1835)
LH End of case to the center of waste outlet	24 1/8 (613)	48 1/4 (1226)	72 1/4 (1835)	72 1/4 (1835)
Back O/S of case to center of waste outlet	26 1/4 (667)	26 1/4 (667)	26 1/4 (667)	26 1/4 (667)
<b>Water Seal</b> 				
Edge of water seal to center of waste outlet	4 (102)	4 (102)	4 (102)	4 (102)
Outside diameter of the drip pipe	1 1/2 (38)	1 1/2 (38)	1 1/2 (38)	1 1/2 (38)
<i>(Field installed water seal outlets, tees, and connectors are shipped with the merchandiser.)</i>				
<b>Refrigeration Outlet</b> 				
Back of case to center of refrigeration outlet	29 3/8 (746)	29 3/8 (746)	29 3/8 (746)	29 3/8 (746)
(E) RH end of case to center of refrigeration outlet	8 1/4 (210)	8 1/4 (210)	8 1/4 (210)	8 1/4 (210)

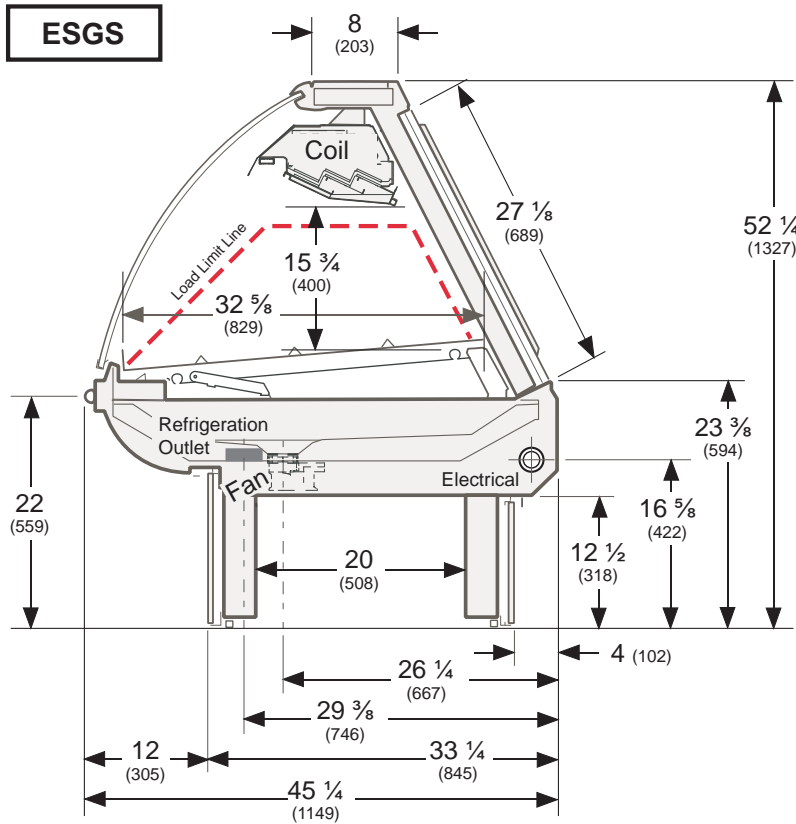
Elite Curved Hinged Glass, Gravity coil with Ice Pans, Single Display Level

**DOE 2017** Energy Efficiency Compliant Hussmann refrigerated merchandisers configured for sale for use in the United States meet or surpass the requirements of the DOE 2017 energy efficiency standards.

**Elite ESGS**  
Seafood / Meat / Delicatessen

**REFRIGERATION DATA**

**Note:** This data is based on store temperature and humidity that does not exceed 75°F and 55% R.H. Schedule defrost at night while lights are off.



	ESGS§
<b>Discharge Air (°F)</b>	27
<b>Evaporator (°F)</b>	22
<b>Unit Sizing (°F)</b>	20

§ Average evaporator temperature shown. Use dew point for high glide refrigerants for unit sizing. Care should be taken to use the dew point in PT tables for measuring and adjusting superheat. Adjust evaporator pressure as needed to maintain discharge air temperature shown.

<b>Btu/hr/ft</b>	ESGS
<b>Parallel</b>	270
<b>Conventional</b>	290

**DEFROST DATA**

	ESGS
<b>Frequency (hr)</b>	24
<b>Defrost Water (lb/ft/day)</b>	0.5

(± 15% based on case configuration and product loading).

<b>Estimated Charge **</b>	ESGS		
<b>4 ft</b>	0.8 lb	13 oz	0.4 kg
<b>6 ft</b>	1.2 lb	19 oz	0.5 kg
<b>8 ft</b>	1.5 lb	24 oz	0.7 kg
<b>12 ft</b>	2.0 lb	32 oz	0.9 kg

\*\*This is an average for all refrigerant types. Actual refrigerant charge may vary by approximately half a pound (8 oz/0.2 kg).

	ESGS
<b>OFFTIME (minutes)</b>	110
<b>Failsafe (minutes)</b>	110

ELECTRIC OR GAS Not Recommended

**CONVENTIONAL CONTROLS**

<b>Low Pressure Backup Control</b>	ESGS
<b>CI/CO (Temp °F)*</b>	15/5
<b>Indoor Unit Only, Pressure Defrost Termination (Temp °F)*</b>	

Not Recommended

\*Use a Temperature Pressure Chart to determine PSIG conversions.

**NSF Certification**

This merchandiser model is manufactured to meet NSF/ANSI (National Sanitation Foundation) Standard #7 requirements for construction, materials & cleanability.

**Electrical Data**

<b>Number of Fans</b>	<b>4 ft</b>	<b>6 ft</b>	<b>8 ft</b>	<b>12 ft</b>
<b>Refrigeration (120V 60Hz) – 4W</b>	N/A			
<b>Ambient Air Wipe – 15W</b>	<b>1</b>	<b>2</b>	<b>2</b>	<b>3</b>

<b>Export Refrigeration (230V 50Hz) – 4W</b>	N/A			
<b>Export Ambient Air Wipe – 15W</b>	<b>1</b>	<b>2</b>	<b>2</b>	<b>3</b>

<b>Merchandiser</b>	<b>Amperes</b>				<b>Watts</b>			
	<b>4 ft</b>	<b>6 ft</b>	<b>8 ft</b>	<b>12 ft</b>	<b>4 ft</b>	<b>6 ft</b>	<b>8 ft</b>	<b>12 ft</b>
<b>Refrigeration Fans</b>	N/A							
<b>Ambient Air Wipe Fans</b>								
High Efficiency (120V 60Hz)	0.1	0.2	0.2	0.3	4.5	9	9	13.5
Export: 230V 50Hz	0.15	0.30	0.30	0.45	25	50	50	75

**Constant On Anti-sweat Heaters**      N/A

**Cycling Anti-sweat Heaters**        N/A

<b>Minimum Circuit Ampacity</b>				
With Standard Fans (120V 60Hz)	0.13	0.25	0.25	0.38
With Export Fans (230V 50Hz )	0.16	0.33	0.33	0.49

**Maximum Over Circuit Protection 120V**    20

**Maximum Over Circuit Protection 230V**    15

**ONLY LIGHTING CONFIGURATIONS THAT ARE COMPLIANT WITH THE U.S. DEPT. OF ENERGY (DOE) 2017 REGULATION ARE AVAILABLE FOR SALE FOR USE IN THE U.S.A.**

<b>Standard Lighting* (T-8 fluorescent)</b>	<b>4 ft</b>	<b>6 ft</b>	<b>8 ft</b>	<b>12 ft</b>	<b>4 ft</b>	<b>6 ft</b>	<b>8 ft</b>	<b>12 ft</b>
2 Row Canopy	0.49	0.80	0.98	1.42	59	92	118	170

<b>Optional Lighting (T-8 fluorescent)</b>								
1 Row Ledge	0.26	0.40	0.49	0.71	30	46	59	86
1 Row Rail	0.26	0.40	0.49	0.71	30	46	59	86

<b>EcoShine II IP67 LED</b>								
Canopy 1 Row Front & Rear Gravity	0.14	0.19	0.28	0.42	16.9	23.2	33.9	50.8
1 Row Rail	0.08	0.12	0.16	0.25	9.9	14.1	19.8	29.7

115V Lighting Circuit Total = Standard Lighting + Total Optional Lighting + Optional Shelf Lighting  
 120V LED Lighting Circuit Total = Canopy Lighting + Shelf Lighting + Rail Lighting  
 230V Lighting Circuit Total = Multiply 115V Lighting Circuit Total by 0.52

*Please note: some combinations of fluorescent lights on this case model may not be compliant with DOE 2017 and may not be available to order in the US and Canada. More lighting options are available with LED lights. The Hussmann Product Configurator will not allow lighting options that do not comply with the DOE 2017 standards.*

**Product Data**

Recommended Usable Cube <sup>1</sup> (Cu Ft/Ft)	2.57 ft <sup>3</sup> /ft (0.24 m <sup>3</sup> /m)
AHRI Total Display Area <sup>2</sup> (Sq Ft/Ft)	3.92 ft <sup>2</sup> /ft (1.19 m <sup>2</sup> /m)
Shelf Area <sup>3</sup> (Sq Ft/Ft)	2.76 ft <sup>2</sup> /ft (0.84 m <sup>2</sup> /m)

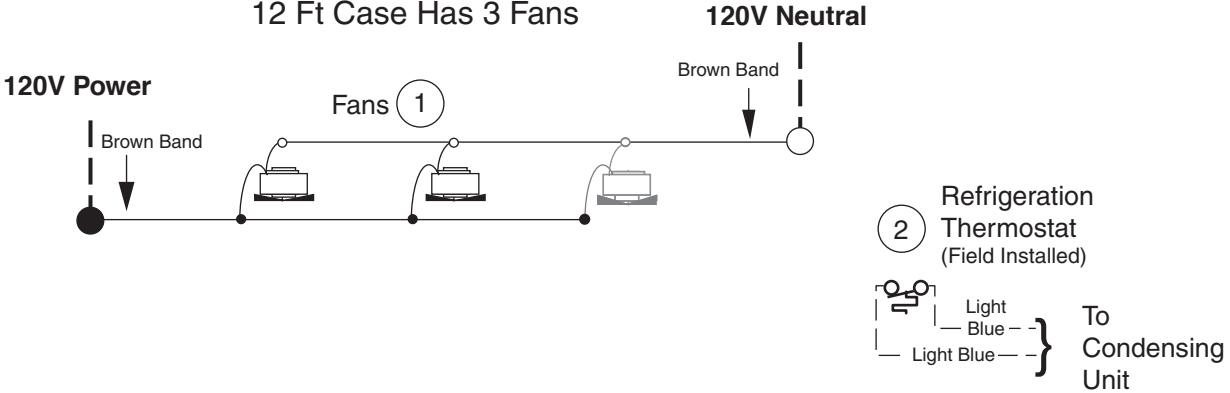
- <sup>1</sup> AHRI Refrigerated Volume less shelving and other unusable space: Refrigerated Volume/Unit of Length, ft<sup>3</sup>/ft [m<sup>3</sup>/m]
- <sup>2</sup> Computed using AHRI 1200 standard methodology: Total Display Area, ft<sup>2</sup> [m<sup>2</sup>]/Unit of Length, ft [m]
- <sup>3</sup> Shelf surface area is composed of bottom deck plus standard shelf complement, as shown in the Hussmann Product Reference Guide. The standard shelf complement for this model is NONE. Optional shelving complement is NONE

<b>ESTIMATED SHIPPING WEIGHT <sup>4</sup></b>					
<b>Case</b>	4 ft	6 ft	8 ft	12 ft	<b>Solid End</b>
					(each)
<b>lb (kg)</b>	600 (272)	700 (318)	1100 (499)	1200 (545)	100 (45)

<sup>4</sup> Actual weights will vary according to optional kits included.

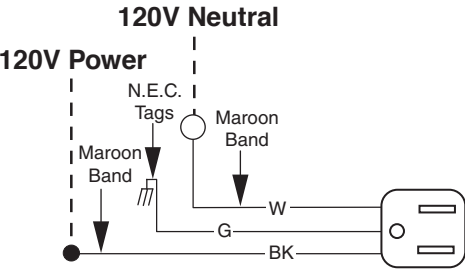
**Ambient Fan Wiring  
Glass Air Wipe  
Offtime Defrost**

**Fans**                      4 Ft Case Has 1 Fan  
                                   6 Ft Case Has 2 Fans  
                                   8 Ft Case Has 2 Fans  
                                   12 Ft Case Has 3 Fans



**Receptacles**

**Electric Service Receptacle**



**WARNING**

All components must have mechanical ground, and the merchandiser must be grounded.

Circled Numbers = Parts List Item Numbers

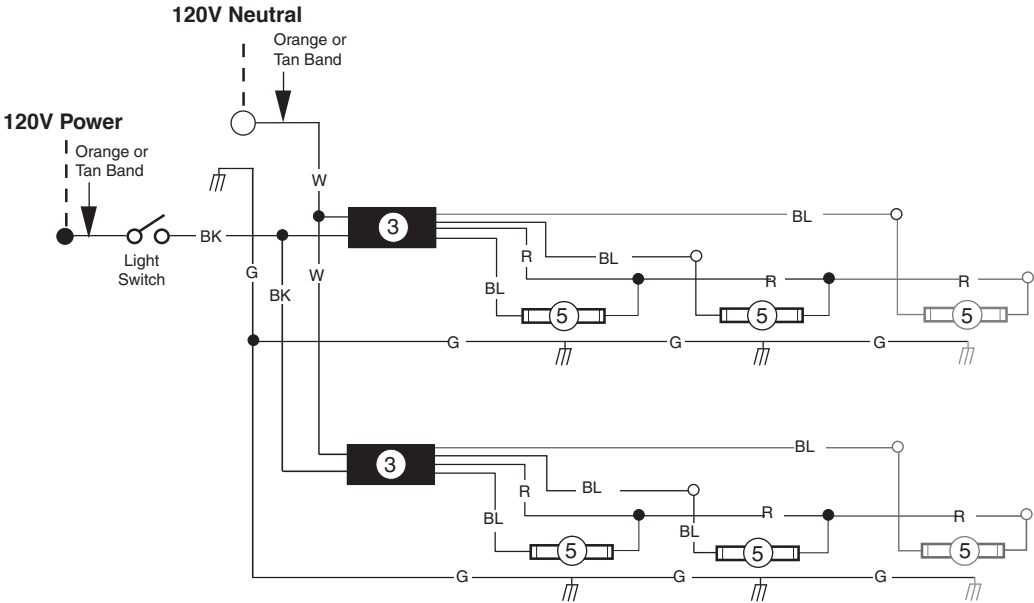
Grayed components in 12 foot models only.

R = Red    G = Green    BL = Blue    LB = Light Blue    DB = Dark Blue    BK = Black    W = White

● = 120V Power    ○ = 120V Neutral    ⊥ = Field Ground    ≡ = Case Ground

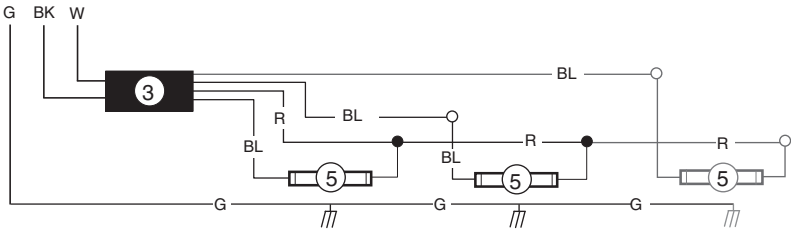
# Light Circuits

## Standard Lighting – 2 Row Canopy




---

## Optional Ledge Light Circuit or Optional Rail Light Circuit




---

### WARNING

All components must have mechanical ground, and the merchandiser must be grounded.

Circled Numbers = Parts List Item Numbers

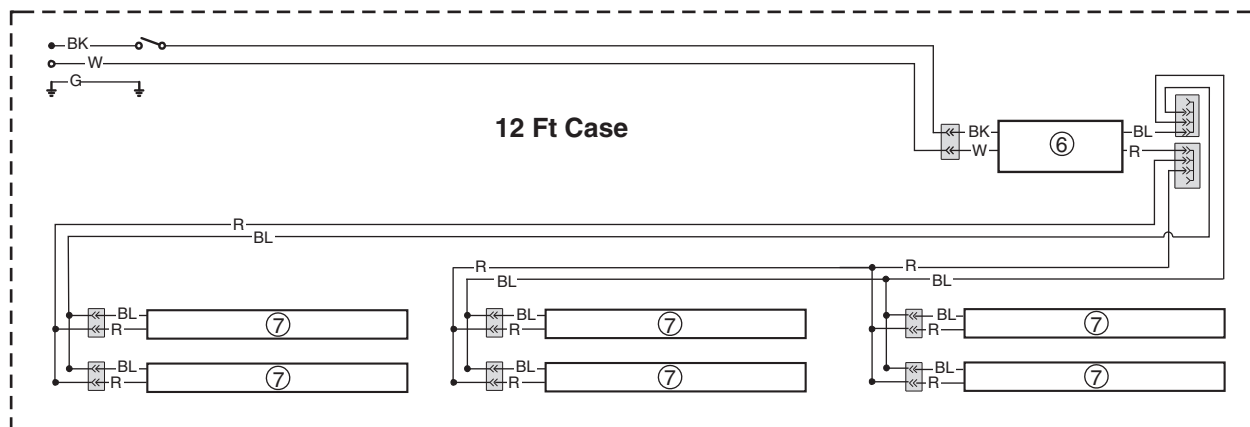
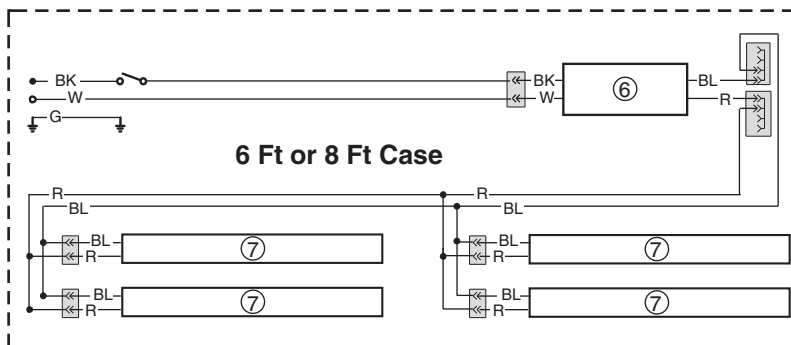
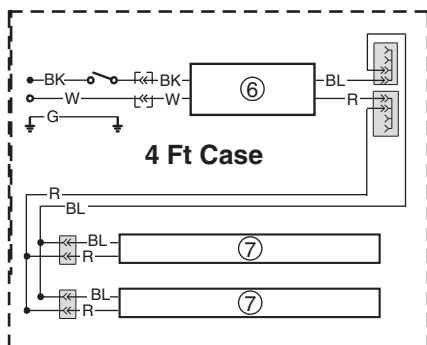
Grayed components in 12 foot models only.

R = Red G = Green BL = Blue BK = Black W = White

● = 120V Power    ○ = 120V Neutral    ⏏ = Field Ground    ⏏ = Case Ground

# Optional Lighting LED Fixtures

## EcoShine II LED Canopy Lighting – 2 Row



### WARNING

All components must have mechanical ground, and the merchandiser must be grounded.

Circled Numbers = Parts List Item Numbers

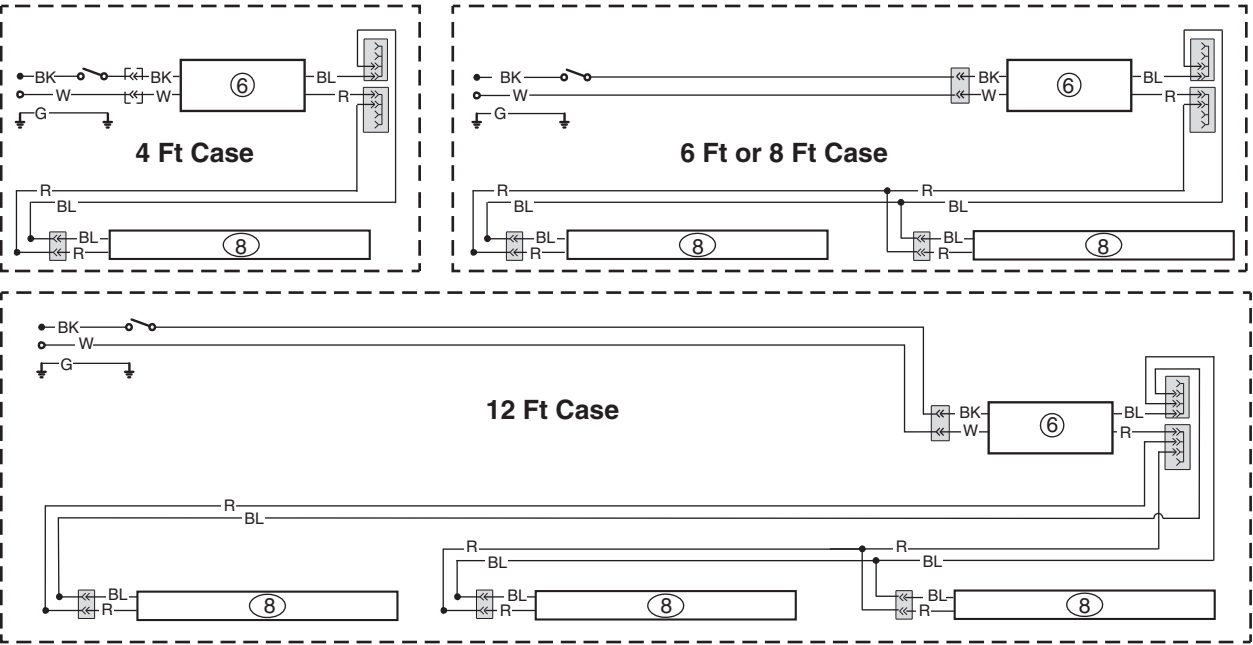
R = Red Y = Yellow G = Green BL = Blue BK = Black W = White

● = 120V Power ○ = 120V Neutral  $\perp$  = Field Ground  $\perp$  = Case Ground



**Optional Lighting  
LED Fixtures**

**EcoShine II LED Rail Lighting – 1 Row**



**WARNING**

All components must have mechanical ground, and the merchandiser must be grounded.

Circled Numbers = Parts List Item Numbers

R = Red   Y = Yellow   G = Green   BL = Blue   BK = Black   W = White

● = 120V Power   ○ = 120V Neutral   ⊥ = Field Ground   ≡ = Case Ground