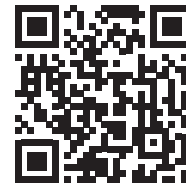
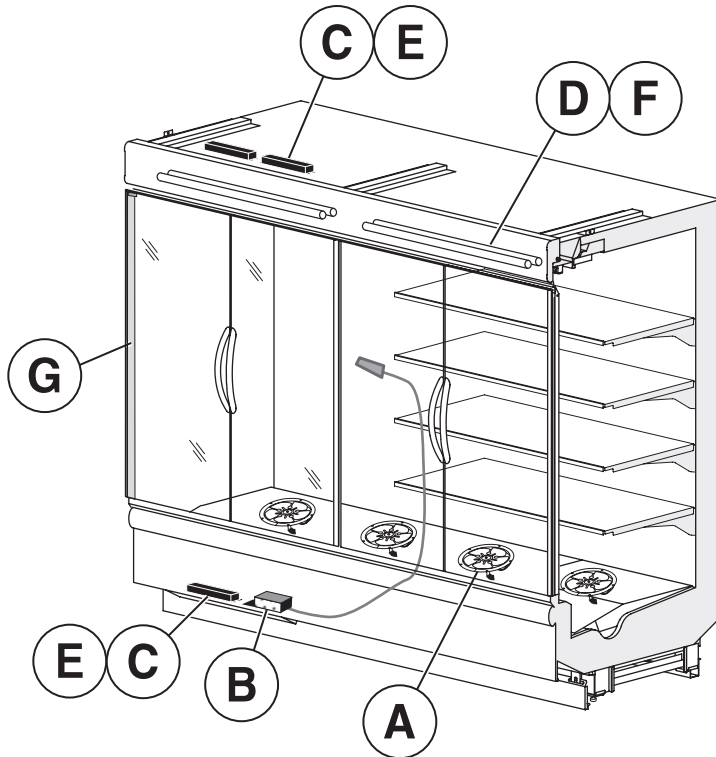


DOE 2017
Energy Efficiency
Compliant



Scan QR code to
access product
information on your
mobile device.

We reserve the right to change or revise specifications and product design in connection with any feature of our products. Such changes do not entitle the buyer to corresponding changes, improvements, additions or replacements for equipment previously sold or shipped.

Item	Part #	Description	Wiring Item #	Item	Part #	Description	Wiring Item #
FAN ASSEMBLIES				LED FIXTURES AND POWER SUPPLY			
4 Ft, 8 Ft & 12 Ft				1			
A.		12W Standard Energy Efficient Fan Assembly	(1)	E.	0501213	Power Supply	(5)
	0477655	Fan Motor, Evaporator		F.		LED Canopy Fixture	(6)
	0461805	Fan Blade				<i>Replace with like fixtures</i>	
6 Ft Only				G.		LED Mullion Fixture	(7)
A.		7W Standard Energy Efficient Fan Assembly	(1)			<i>Replace with like fixtures</i>	
	0477654	Fan Motor, Evaporator					
	0142780	Fan Blade					
THERMOSTATS							
B.		Optional Adjustable Refrigeration Thermostat	(2)				
LAMPS AND BALLASTS,							
C.		Ballast, Electronic	(3)				
	0480130	2 lamps					
	0480131	3 lamps					
	0480132	4 lamps					
D.		Fluorescent Lamp	(4)				
		<i>Replace with like fixtures</i>					

Data sheet-Excel-DD6NX-L

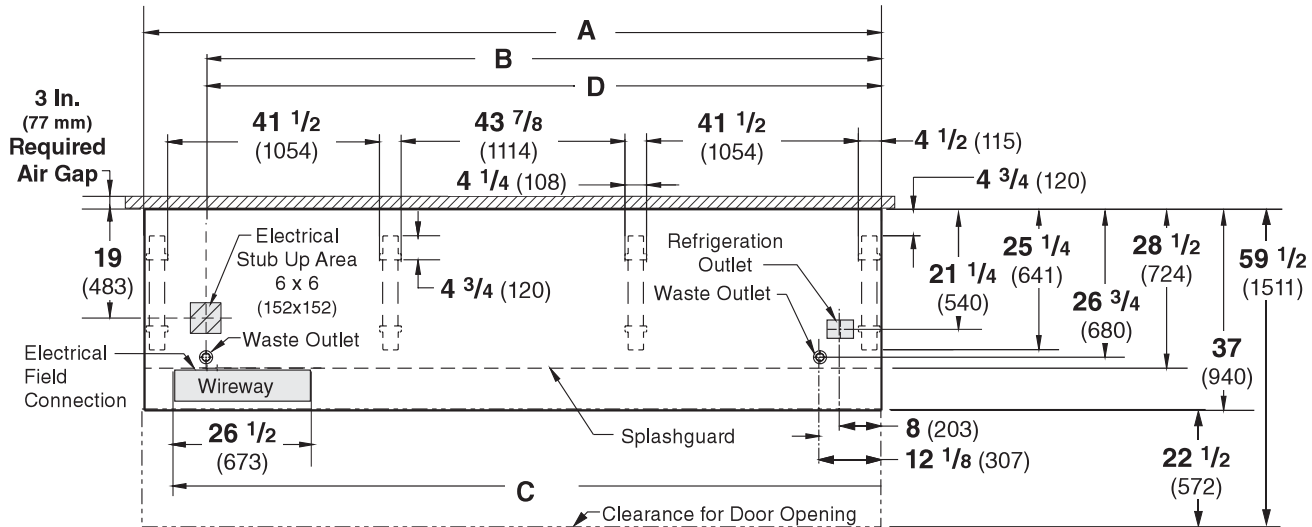
Note: Revision K: Updated lighting energy values. Other changes marked with a bar, circle or underline.

Engineering Plan Views

PHYSICAL DATA	
Merchandiser Drip Pipe (in.)	1 1/4
Merchandiser Liquid Line (in.)	3/8
Merchandiser Suction Line (in.)	7/8

Dairy & Delicatessen

Dimensions shown as in. and (mm).



NOTE: Case-to-Case Electrical Connections are made IN FRONT OF SPLASHGUARD.

FRONT

	4 ft	6 ft	8 ft	12 ft
General				
(A) Case Length (<i>without ends or partitions</i>) <i>(Each end and insulated partition adds 1 1/2 in. (38 mm) to case line up.)</i>	48 3/8 (1229)	72 3/8 (1838)	96 3/8 (2448)	144 1/2 (3670)
Maximum O/S dimension of case back to front <i>(includes bumper)</i>	37 (940)	37 (940)	37 (940)	37 (940)
Back of case to front of splashguard	28 1/2 (724)	28 1/2 (724)	28 1/2 (724)	28 1/2 (724)
Back of case to O/S edge of front leg	25 1/4 (641)	25 1/4 (641)	25 1/4 (641)	25 1/4 (641)
Distance between edges of external legs and center legs	NA	NA	41 1/2 (1054)	41 1/2 (1054)
Distance between edges of center legs	NA	NA	NA	43 7/8 (1114)
Distance between front legs and splashguard	2 3/4 (70)	2 3/4 (70)	2 3/4 (70)	2 3/4 (70)
Electrical Service (<i>Electrical Field Wiring connection point</i>)				
(B) RH End of case to center of stub up area	36 1/4 (921)	60 1/4 (1530)	84 1/4 (2140)	132 3/8 (3363)
Back of case to center of stub up area	19 (483)	19 (483)	19 (483)	19 (483)
Length of electrical wireway Wireway	26 1/2 (673)	26 1/2 (673)	26 1/2 (673)	26 1/2 (673)
(C) RH End of case to LH end of wireway	42 1/8 (1070)	66 1/8 (1680)	90 1/8 (2289)	138 1/4 (3511)
Waste Outlets (<i>One each end</i>)				
(D) RH End of case to the center of LH waste outlet	36 1/4 (921)	60 1/4 (1530)	84 1/4 (2140)	132 3/8 (3363)
RH End of case to the center of RH waste outlet	12 1/8 (307)	12 1/8 (307)	12 1/8 (307)	12 1/8 (307)
Back O/S of case to center of waste outlets	26 3/4 (680)	26 3/4 (680)	26 3/4 (680)	26 3/4 (680)
Schedule 40 PVC drip pipe	1 1/4 (32)	1 1/4 (32)	1 1/4 (32)	1 1/4 (32)
Refrigeration Outlet				
Back of case to center of refrigeration outlet	21 1/4 (540)	21 1/4 (540)	21 1/4 (540)	21 1/4 (540)
RH end of case to center of refrigeration outlet	8 (203)	8 (203)	8 (203)	8 (203)

Narrow Footprint Multi-deck with Doors, 6 Display Levels, Low Front



Husmann refrigerated merchandisers configured for sale for use in the United States meet or surpass the requirements of the DOE 2017 energy efficiency standards.

Excel DD6NX-L
Dairy & Delicatessen

REFRIGERATION DATA

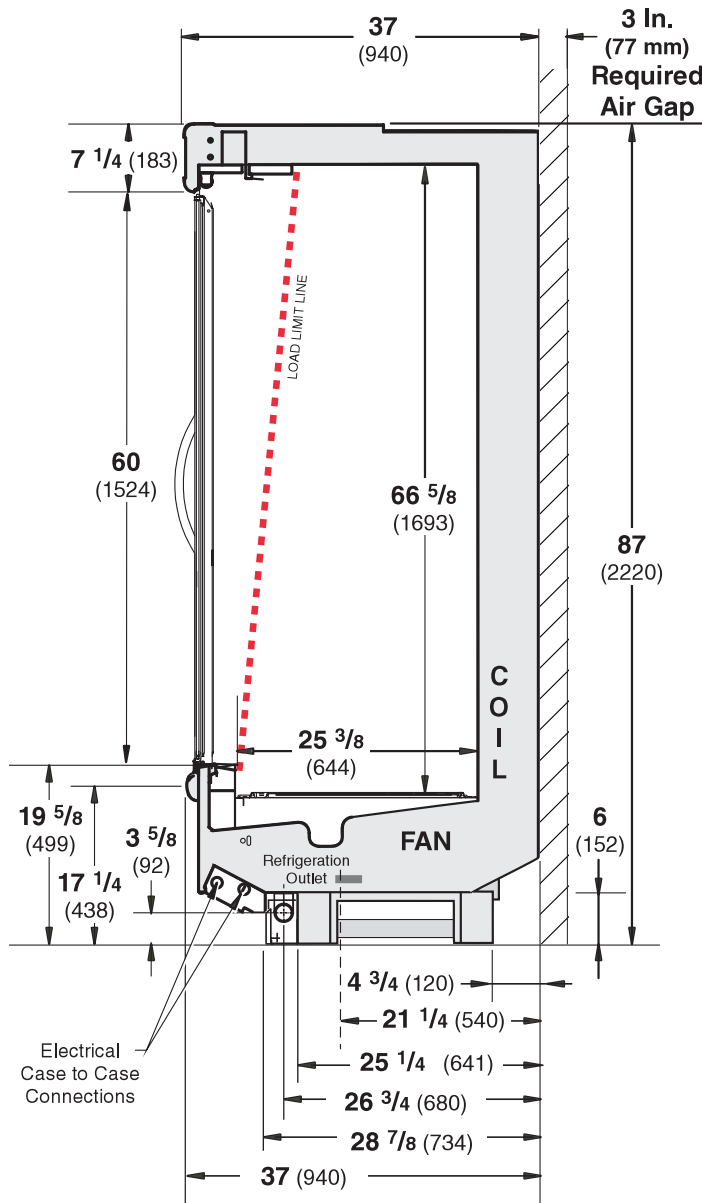
Note: This data is based on store temperature and humidity that does not exceed 75°F and 55% R.H.

DD6NX-L§	UNLIT	LIT	PEG*
Discharge Air °F	39	32	32
Evaporator °F	34	32	32
Unit Sizing °F	32	30	30

Btu/h/ft ³ ‡	UNLIT	LIT	PEG*
DD6NX-L§			
PARALLEL	290	300	325
CONVENTIONAL	300	310	335

* Husmann Peg Shelves (Deli only).
 ‡ Lit data is for canopy and mullion lighting. Husmann recommends against using lit shelves with EcoVision Doors.
 § Average evaporator temperature shown. Use dew point for high glide refrigerants for unit sizing. Care should be taken to use the dew point in PT tables for measuring and adjusting superheat. Adjust evaporator pressure as needed to maintain discharge air temperature shown.

Dimensions shown as in. and (mm).



DEFROST DATA

Frequency Hr	24
Defrost Water (lb/ft/day)	1.0
(± 15% based on case configuration and product loading).	

OFFTIME	DD6NX-L
Time (minutes)	50

ELECTRIC OR GAS
Not Recommended

CONVENTIONAL CONTROLS

Low Pressure Backup Control	
CI/CO**	DD6NX-L
	35°F / 25°F

Indoor Unit Only, Pressure Defrost Termination** 40°F

**Use a Temperature Pressure Chart to determine PSIG conversions.

Estimated Charge***	DD6NX-L		
4 ft	1.9 lb	30 oz	0.9 kg
6 ft	2.8 lb	45 oz	1.3 kg
8 ft	3.7 lb	59 oz	1.7 kg
12 ft	5.1 lb	82 oz	2.3 kg

***This is an average for all refrigerant types. Actual refrigerant charge may vary by approximately half a pound (8 oz/0.2 kg).

NSF Certification

This merchandiser model is manufactured to meet NSF/ANSI (National Sanitation Foundation) Standard #7 requirements for construction, materials & cleanability.

Excel DD6NX-L
Dairy & Delicatessen

Electrical Data

	4 ft	6 ft	8 ft	12 ft				
Number of Fans — 7W	2	—	4	6				
Number of Fans — 4W	—	4	—	—				
	Amperes				Watts			
	4 ft	6 ft	8 ft	12 ft	4 ft	6 ft	8 ft	12 ft
Evaporator Fan								
120V 50/60Hz Standard Energy Efficient	0.38	0.48	0.76	1.14	28	32	56	84
230V 50/60Hz Standard Energy Efficient	0.20	0.24	0.40	0.60	28	32	56	84
230V 60Hz Export	0.50	0.60	1.00	1.50	78	96	156	234
230V 50Hz Export	0.56	0.72	1.12	1.68	84	108	168	252
Minimum Circuit Ampacity								
120V 50/60Hz Standard Energy Efficient	0.58	0.68	0.96	1.34				
230V 50/60Hz Standard Energy Efficient	0.40	0.44	0.60	0.80				
230V 60Hz Export	0.70	0.80	1.20	1.70				
230V 50Hz Export	0.76	0.92	1.32	1.88				
Maximum Over Current Protection 120V								
Maximum Over Current Protection 120V	20	20	20	20				
Maximum Over Current Protection 230V								
Maximum Over Current Protection 230V	15	15	15	15				
Standard Lighting (T-8 fluorescent)								
1 Row Canopy	0.26	0.51	0.51	0.77	30	59	59	85
ONLY LIGHTING CONFIGURATIONS THAT ARE COMPLIANT WITH THE U.S. DEPT. OF ENERGY (DOE) 2017 REGULATION ARE AVAILABLE FOR SALE FOR USE IN THE U.S.A.								
Optional Lighting (T-8 fluorescent)								
2 Row Canopy	0.51	1.02	1.02	1.54	59	118	118	170
3 Row Canopy	0.77	1.53	1.53	2.31	89	177	177	255
LED EcoShine II Canopy								
EcoShine II	0.16	0.26	0.32	0.48	19.3	31.6	38.6	58.0
EcoShine II HO	0.22	0.33	0.44	0.66	26.5	39.5	53.0	79.4
Shelf								
None								
Mullion								
EcoShine II 48-in.	0.23	0.40	0.40	0.57	27.3	47.7	47.7	68.2

120V Lighting Circuit Total = Standard Lighting + Total Optional Lighting
 120V EcoShine LED Lighting Circuit Total = Total Canopy Lighting + Optional Mullion Lighting
 230V Lighting Circuit Total = Multiply 120V Lighting Circuit Total by 0.52

Please note: some combinations of fluorescent lights on this case model may not be compliant with DOE 2017 and may not be available to order in the US and Canada. More lighting options are available with LED lights. The Hussmann Product Configurator will not allow lighting options that do not comply with the DOE 2017 standards.

Product Data

<i>Recommended Usable Cube</i> ¹ (Cu Ft/Ft)	7.54 ft ³ /ft (0.70 m ³ /m)
<i>AHRI Total Display Area</i> ² (Sq Ft/Ft)	4.81 ft ² /ft (1.47 m ² /m)
<i>Shelf Area</i> ³ (Sq Ft/Ft)	8.81 ft ² /ft (2.69 m ² /m)

¹ AHRI Refrigerated Volume less shelving and other unusable space: Refrigerated Volume/Unit of Length, ft³/ft [m³/m]

² Computed using AHRI 1200 standard methodology: Total Display Area, ft² [m²]/Unit of Length, ft [m]

³ Shelf surface area is composed of bottom deck plus standard shelf complement, as shown in the Hussmann *Product Reference Guide*. The standard shelf complement for this model is (5) rows of 16-inch shelves.

ESTIMATED SHIPPING WEIGHT ⁴

Case	4 ft	6 ft	8 ft	12 ft	Solid End
					(each)
lb (kg)	880 (399)	1100 (499)	1360 (617)	1840 (835)	100 (45)

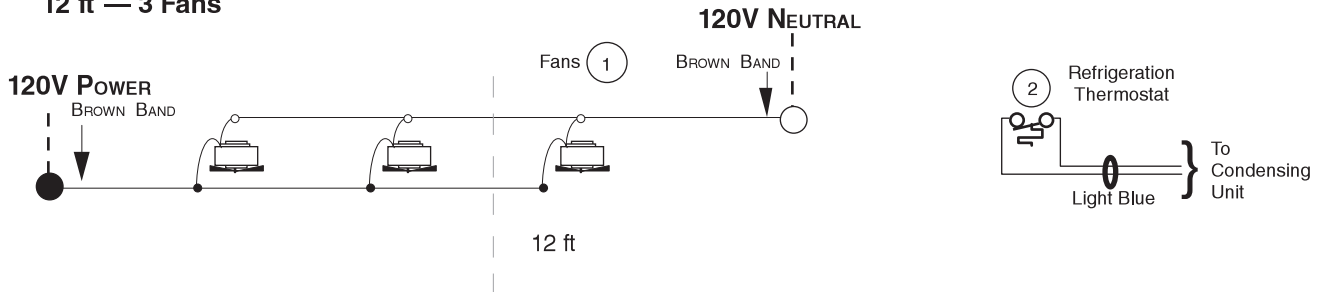
⁴ Actual weights will vary according to optional kits included.

Fan Wiring

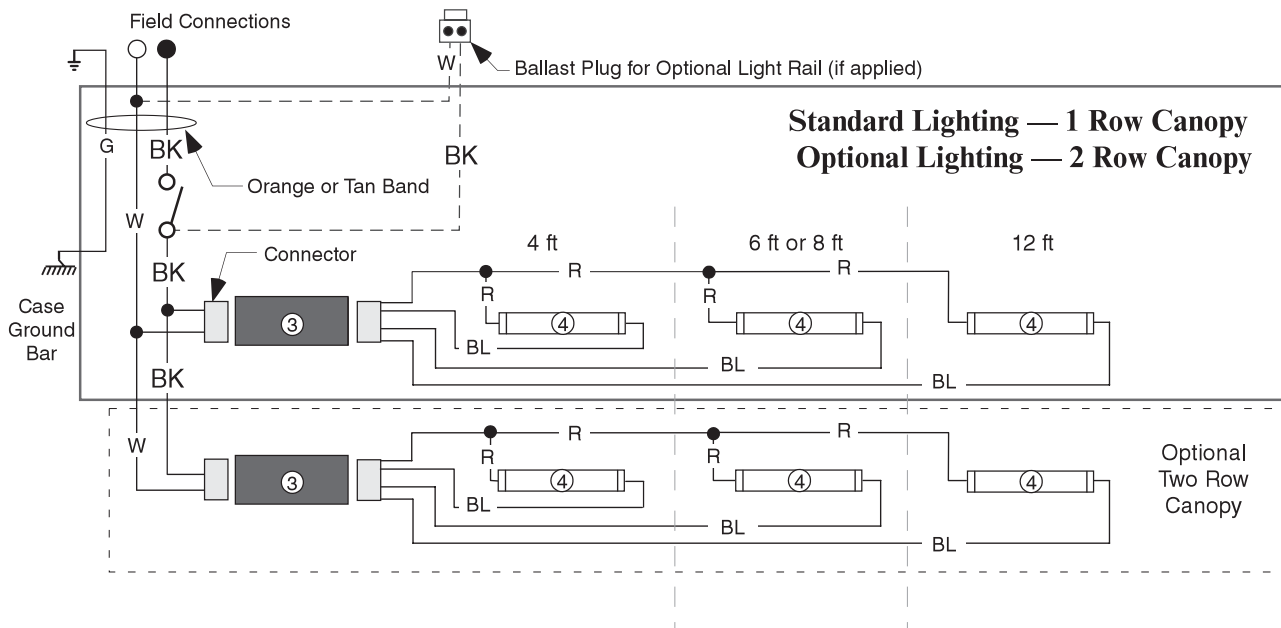
Offtime Defrost

1, 2 & 3 Fans

- 4 ft — 1 Fan
- 6 ft — 2 Fans
- 8 ft — 2 Fans
- 12 ft — 3 Fans



Fluorescent Canopy Light Circuits



WARNING

All components must have mechanical ground, and the merchandiser must be grounded.

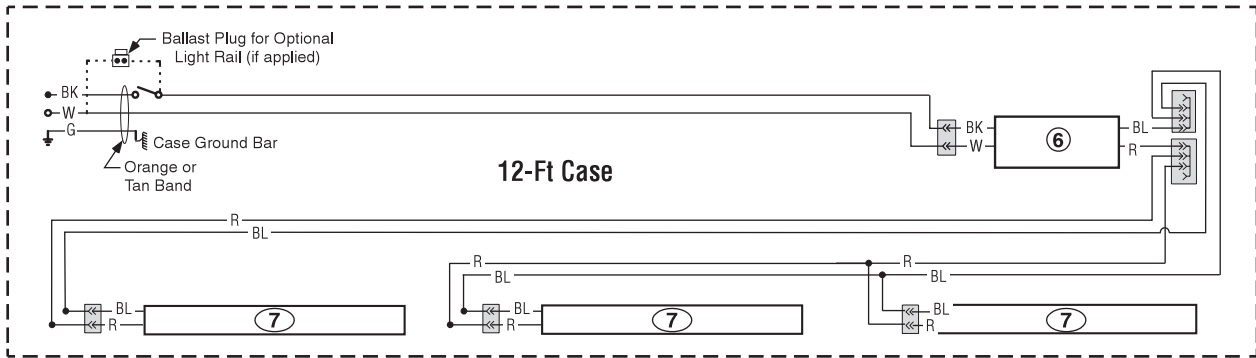
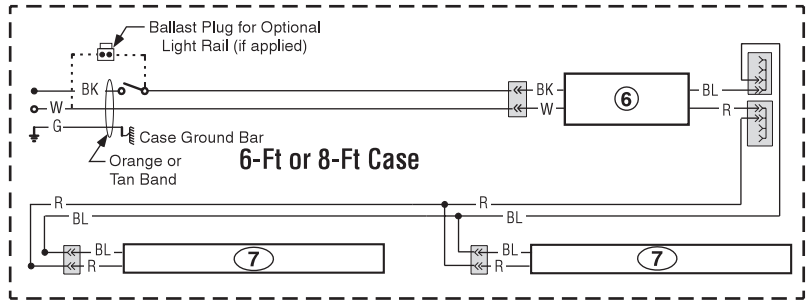
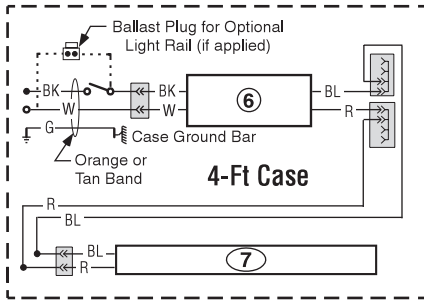
CIRCLED NUMBERS = PARTS LIST ITEM NUMBERS

R = Red Y = Yellow G = Green BL = Blue BK = Black W = White

● = 120V POWER ○ = 120V NEUTRAL ⊥ = FIELD GROUND ≡ = CASE GROUND

Optional Canopy Lighting LED Fixtures

EcoShine II LED Canopy Lighting — 1 Row



WARNING

All components must have mechanical ground, and the merchandiser must be grounded.

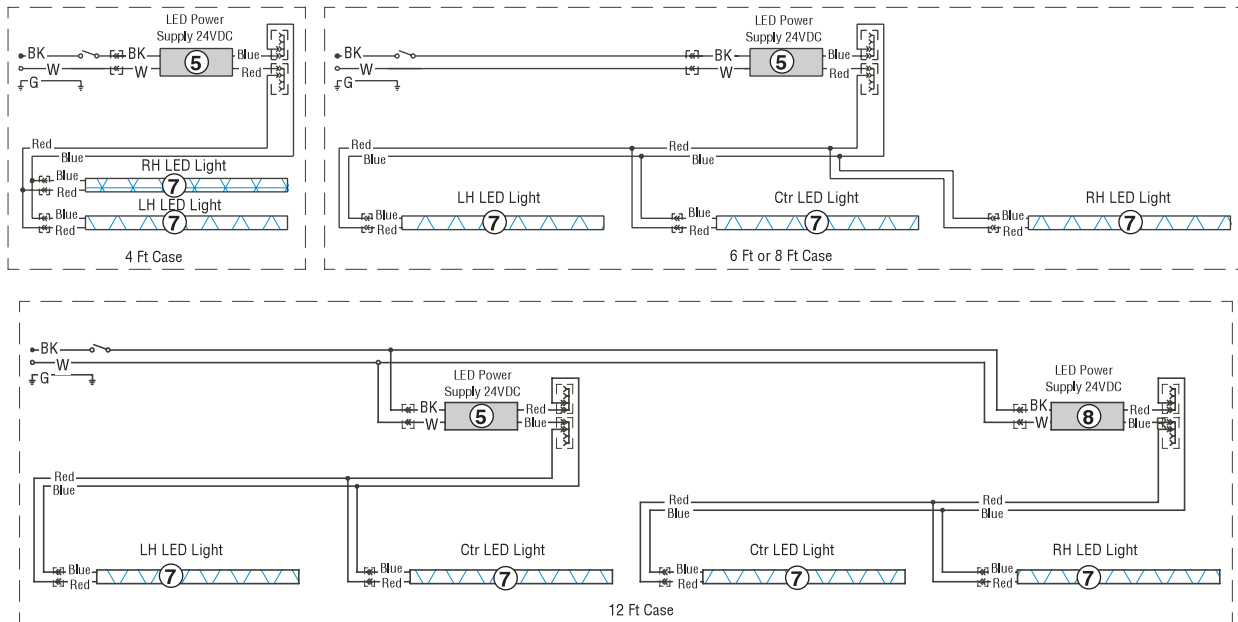
CIRCLED NUMBERS = PARTS LIST ITEM NUMBERS

R = Red Y = Yellow G = Green BL = Blue BK = Black W = White

● = 120V POWER ○ = 120V NEUTRAL ⊥ = FIELD GROUND $\overline{\overline{\overline{\quad}}}$ = CASE GROUND

Optional Mullion Lighting LED Fixtures

LED Mullion Lighting



WARNING

All components must have mechanical ground, and the merchandiser must be grounded.

CIRCLED NUMBERS = PARTS LIST ITEM NUMBERS

R = Red Y = Yellow G = Green BL = Blue BK = Black W = White

● = 120V POWER ○ = 120V NEUTRAL ⊥ = FIELD GROUND ≡ = CASE GROUND