

We reserve the right to change or revise specifications and product design in connection with any feature of our products. Such changes do not entitle the buyer to corresponding changes, improvements, additions or replacements for equipment previously sold or shipped.

Item	Part #	Description	Wiring Item #	Item	Part #	Description	Wiring Item #
FAN ASSEMBLIES, AND THERMOSTATS				HEATERS (CONTINUED)			
A.	4W Standard Energy Efficient Fan Assembly 0477653	Fan Motor, Evaporator (MO.4410544)	(1)	F.	208V Drip Pan Defrost Heaters, Electric 0462160	8 ft case (HE.4850636)	(6)
	0252116	Fan Blade (FB.4780611)			0444296	12 ft case (HE.4850572)	
B.	Optional Adj. Refrigeration Thermostat		(2)		120V Drip Pan Defrost Heaters, Koolgas 0465907	8 ft case (HE.4850622)	(7)
C.	0398557	Defrost Termination Thermostat (Electric Defrost only) (CT.4440611)	(3)		0465908	12 ft case (HE.4850623)	
D.	0481370	Heater Switch (Koolgas Defrost only) (CT.4440738)	(4)	G.	Nosing Anti-sweat Heaters 0524419	8 ft case (HE.4851257)	(8)
					0524421	12 ft case (HE.4851259)	
HEATERS				GLASS LID PARTS ARE LISTED ON PAGE 5.			
E.	208V Evaporator Defrost Heaters 0465916	8 ft case (HE.4850630)	(5)	OPTIONAL LED FIXTURES AND POWER SUPPLY			
	0465915	12 ft case (HE.4850631)		H.	0501213	Power Supply (EP.4481861)	(9)
				I.		LED Fixture	(10)

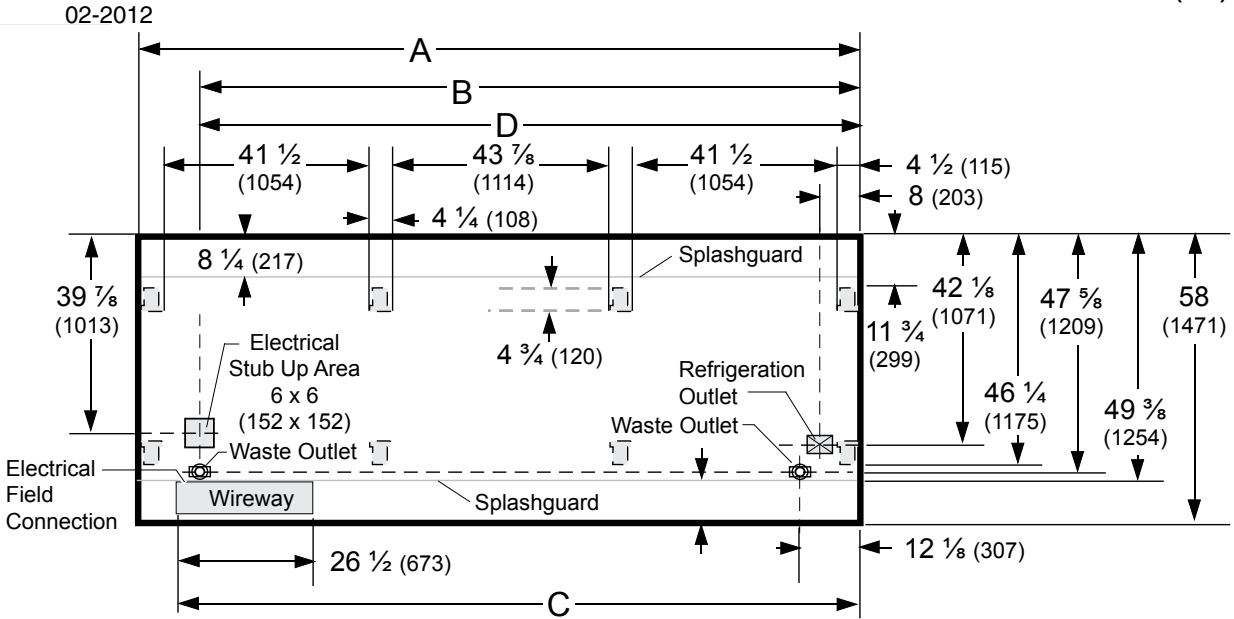
NOTE: For LED lighting parts contact your Hussmann service representative at 1-800-922-1919. Please have your model and serial number available. Descriptions including size and color are at www.hussmann.com/SERVICEANDPARTS.

Engineering Plan Views

PHYSICAL DATA	
Merchandiser Drip Pipe (in.)	1 1/4
Merchandiser Liquid Line (in.)	3/8
Merchandiser Suction Line (in.)	5/8

Frozen Food

Dimensions shown as inches & (mm).



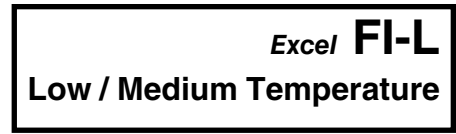
NOTE: Case-to-Case Electrical Connections are made IN FRONT OF SPLASHGUARD.

FRONT

	8 ft	12 ft
General		
(A) Case Length (<i>without ends or partitions</i>) (Each end and insulated partition adds 2 in. (51 mm) to case line up.) Maximum O/S dimension of case back to front (<i>includes bumper</i>) Back of case to front of splashguard Back of case to O/S edge of front leg Distance between edges of external legs and center legs Distance between edges of center legs Distance between front legs and splashguard	96 3/8 (2448) 58 (1471) 49 3/8 (1254) 46 1/4 (1175) 41 1/2 (1054) NA 3 1/8 (82)	144 1/2 (3670) 58 (1471) 49 3/8 (1254) 46 1/4 (1175) 41 1/2 (1054) 43 7/8 (1114) 3 1/8 (82)
Electrical Service (<i>Electrical Field Wiring connection point</i>)		
(B) RH End of case to center of stub up area Back of case to center of stub up area Length of electrical wireway	84 1/4 (2141) 39 7/8 (1013) 26 1/2 (673)	132 3/8 (3363) 39 7/8 (1013) 26 1/2 (673)
(C) RH End of case to LH end of wireway	90 1/8 (2289)	138 1/4 (3511)
Waste Outlets (<i>One each end</i>)		
(D) RH End of case to the center of LH waste outlet RH End of case to the center of RH waste outlet Back O/S of case to center of waste outlets Schedule 40 PVC drip pipe	84 1/4 (2141) 12 1/8 (307) 47 5/8 (1209) 1 1/4 (32)	132 3/8 (3363) 12 1/8 (307) 47 5/8 (1209) 1 1/4 (32)
Refrigeration Outlet		
Back of case to center of refrigeration outlet RH end of case to center of refrigeration outlet	42 1/8 (1071) 8 (203)	42 1/8 (1071) 8 (203)



Hussmann refrigerated merchandisers configured for sale for use in the United States meet or surpass the requirements of the DOE 2012 energy efficiency standards.



REFRIGERATION DATA

Note: This data is based on store temperature and humidity that does not exceed 75°F and 55% R.H.

	MED	FF	IC
Discharge Air (°F)	+32	-10	-15
Evaporator (°F)	+25	-15	-20
Unit Sizing (°F)	+23	-18	-23

Btu/hr/ft*	MED	FF	IC
Parallel	190	260	270
Conventional	195	271	280

* Add 1.5 Btu/hr/ft for LED lighting.

DEFROST DATA

	MED	FF	IC
Frequency (hr)	24	24	24
Defrost Water (lb/ft/day)	0.2	0.2	0.15

(± 15% based on case configuration and product loading).

ELECTRIC	MED	FF	IC
Temp Term (°F)	48	48	48
Failsafe (minutes)	30	50	60

GAS	MED	FF	IC
Duration (minutes)	NA	15	18

OFFTIME Not Recommended

Standard Defrost Thermostat

Close on rise: close 48°F — open 33°F

CONVENTIONAL CONTROLS

Low Pressure Backup Control — CI/CO **

MED	+28°F / +16°F
FF	-15°F / -27°F
IC	-21°F / -33°F

Indoor Unit Only, Pressure Defrost Termination*

Not Recommended

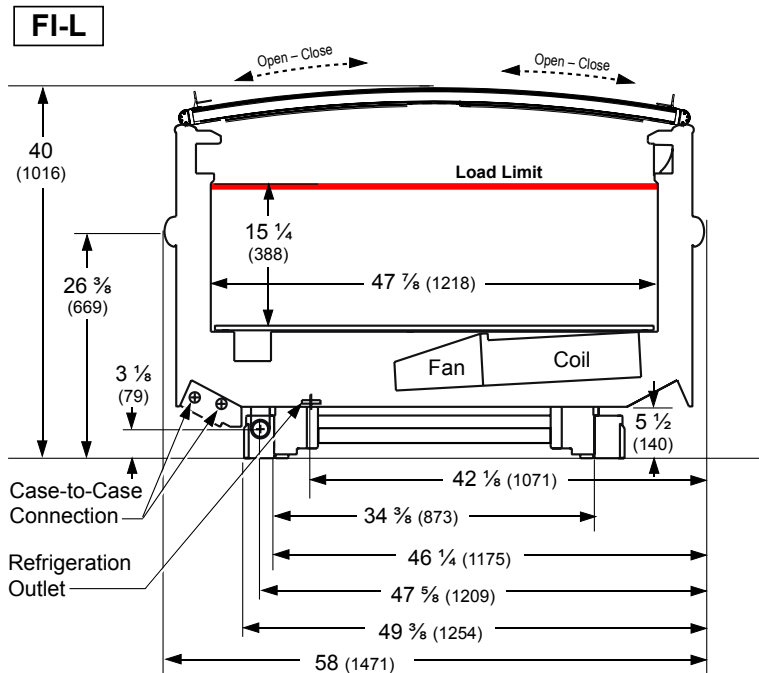
**Use a Temperature Pressure Chart to determine PSIG conversions.

Estimated Charge ***

8 ft	2.5 lb	40 oz	1.1 kg
12 ft	3.7 lb	59 oz	1.7 kg

***This is an average for all refrigerant types. Actual refrigerant charge may vary by approximately half a pound (8 oz/0.2 kg).

Dimensions shown as inches & (mm).



NSF Certification

This merchandiser model is manufactured to meet NSF/ANSI (National Sanitation Foundation) Standard #7 requirements for construction, materials & cleanability.

Excel FI-L Low / Medium Temperature
--

Electrical Data

	8 ft	12 ft		
Number of Fans – 4W Evaporator	2	2		
	Amperes		Watts	
	8 ft	12 ft	8 ft	12 ft
Evaporator Fans				
120V 50/60Hz Standard Energy Efficient	0.24	0.24	16	16
230V 50/60Hz Standard Energy Efficient	0.12	0.11	16	16
230V 60Hz Export	0.30	0.30	48	48
230V 50Hz Export	0.36	0.36	54	54
Anti-sweat Heaters (on fan circuit)				
120V 50/60Hz Standard	0.26	0.40	32	48
230V 50/60Hz Export	0.14	0.21	32	48
Minimum Circuit Ampacity				
120V 50/60Hz Standard Energy Efficient	0.70	0.77		
230V 50/60Hz Standard Energy Efficient	0.46	0.46		
230V 60Hz Export	0.64	0.64		
230V 50Hz Export	0.70	0.70		
Maximum Over Current Protection 120V	20	20		
Maximum Over Current Protection 230V	15	15		
208V Electric Defrost	9.13	13.94	1900	2900
230V Export Electric Defrost	8.26	12.61	1900	2900
120V Koolgas Defrost	1.67	3.33	200	400
Standard Lighting				
None				
Optional Lighting				
LED 120V 50/60Hz	0.50	0.70	60	84
LED 230V 50/60Hz	0.26	0.37	60	84

Product Data

Recommended Usable Cube ¹ (Cu Ft/Ft)	5.09 ft ³ /ft (0.47 m ³ /m)
AHRI Total Display Area ² (Sq Ft/Ft)	3.81 ft ² /ft (1.16 m ² /m)
Shelf Area ³ (Sq Ft/Ft)	4.00 ft ² /ft (1.22 m ² /m)

- ¹ AHRI Refrigerated Volume less shelving and other unusable space: Refrigerated Volume/Unit of Length, ft³/ft [m³/m]
- ² Computed using AHRI 1200 standard methodology: Total Display Area, ft² [m²]/Unit of Length, ft [m]
- ³ Shelf surface area is composed of bottom deck plus standard shelf complement, as shown in the Hussmann **Product Reference Guide**. The standard shelf complement for this model is NONE.

ESTIMATED SHIPPING WEIGHT ⁴					
Case	4 ft	6 ft	8 ft	12 ft	Solid End
					(each)
lb (kg)	690 (312)	910 (413)	1150 (522)	1420 (645)	50 (23)

⁴ Actual weights will vary according to optional kits included.

Glass Lid Replacement Parts

FI4L, FI8L, FI12L GLASS ASSEMBLIES

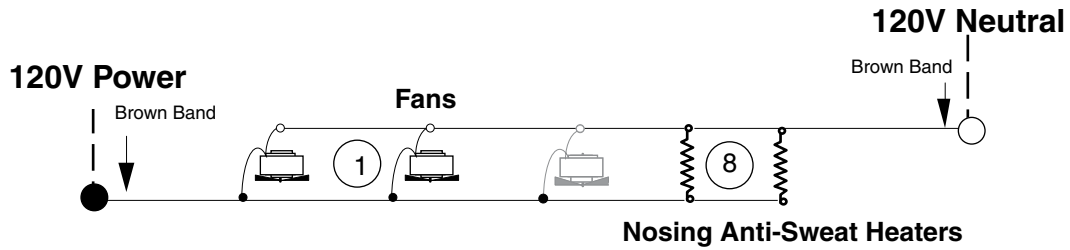
S.	0524241	Top Glass - Fixed B00150 (GL.4998363)
T.	0524242	Middle Glass with Handle B00151 (GL.4998364)
U.	0524243	Bottom Glass with Handle B00152 (GL.4998365)

FI6L GLASS ASSEMBLIES

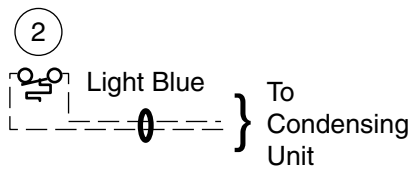
S.	0524259	Top Glass - Fixed B00168 (GL.4998366)
T.	0524260	Middle Glass with Handle B00169 (GL.4998367)
U.	0524261	Bottom Glass with Handle B00170 (GL.4998368)

The diagram shows a perspective view of a three-pane glass lid assembly. The panes are curved and held together by a frame. The bottom pane is labeled 'U', the middle pane is labeled 'S', and the top pane is labeled 'T'. Small circles representing fasteners are visible along the edges of the panes.

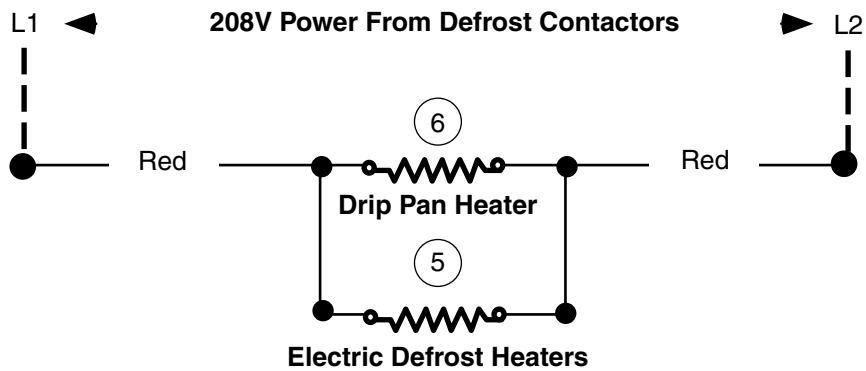
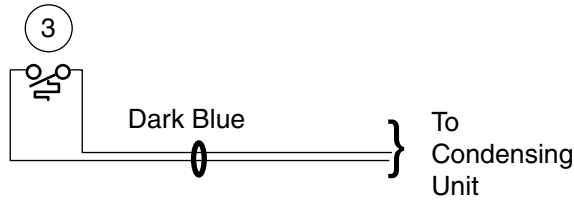
Electric Defrost – Standard



Refrigeration Thermostat (Optional)



Defrost Termination Thermostat



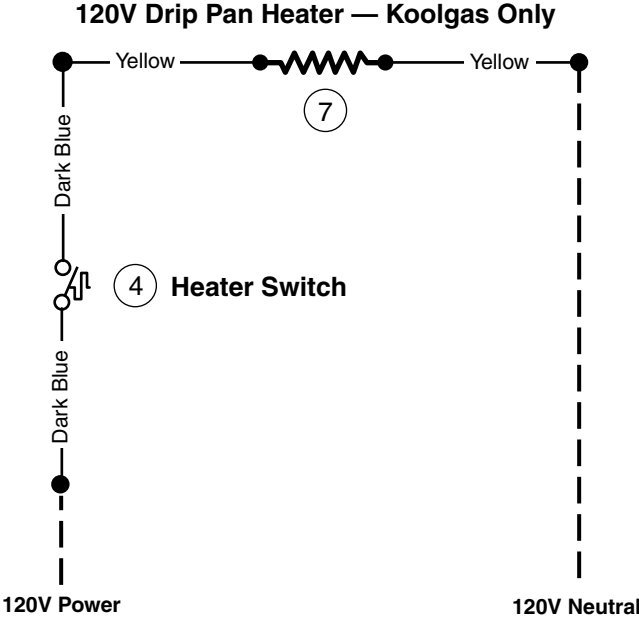
WARNING

All components must have mechanical ground, and the merchandiser must be grounded.

Circled Number = Parts List Item Numbers

Grayed components in 12 foot models only.

Gas Defrost – Optional



WARNING

All components must have mechanical ground, and the merchandiser must be grounded.
Circled Number = Parts List Item Numbers

Excel FI-L
Low / Medium Temperature

Optional LED Lighting
Wiring Diagrams

