

We reserve the right to change or revise specifications and product design in connection with any feature of our products. Such changes do not entitle the buyer to corresponding changes, improvements, additions or replacements for equipment previously sold or shipped.

Item	Part #	Description	Wiring Item #	Item	Part #	Description	Wiring Item #
FAN ASSEMBLIES, AND THERMOSTATS				HEATERS (CONTINUED)			
A.	4W Standard Energy Efficient Fan Assembly 0477653	Fan Motor, Evaporator (MO.4410544)	(1)		120V Drip Pan Defrost Heaters, Koolgas		(7)
	0521166	Fan Blade (FB.4780872)			0488967	4 ft case (HE.4850641)	
B.	Optional Adjustable Refrigeration Thermostat		(2)		0465906	6 ft case (HE.4850628)	
C.	0398557	Defrost Termination Thermostat (Front/Electric Defrost only) (CT.4440611)	(3)		0465907	8 ft case (HE.4850622)	
D.	0398558	Defrost Termination Thermostat (Rear/Electric Defrost only) (CT.4481088)	(3)	H.	0465908	12 ft case (HE.4850623)	
E.	0481370	Heater Switch (Koolgas Defrost only) (CT.4440738)	(4)		H. Discharge Nosing Anti-sweat Heaters		(8)
					0495009	4 ft case (HE.4851259)	
					0524422	6 ft case (HE.4851260)	
					0524423	8 ft case (HE.4851261)	
					0524424	12 ft case (HE.4851262)	
				J.	Return Air Nosing Anti-sweat Heaters		(9)
					0524417	4 ft case (HE.4851255)	
					0524418	6 ft case (HE.4851256)	
					0524419	8 ft case (HE.4851257)	
					0524420	12 ft case (HE.4851258)	
HEATERS					GLASS LID PARTS ARE LISTED ON PAGE 5.		
F.	208V Evaporator Defrost Heaters		(5)		OPTIONAL LED FIXTURES AND POWER SUPPLY		
	0481864	4 ft case (HE.4850637)		K.	0501213	Power Supply (EP.4481861)	(10)
	0444057	6 ft case (HE.4850620)		L.		LED Fixture	(11)
	0462159	8 ft case (HE.4850603)					
	0444058	12 ft case (HE.4850571)					
G.	208V Drip Pan Defrost Heaters, Electric		(6)		NOTE: For LED lighting parts contact your Hussmann service representative at 1-800-922-1919. Please have your model and serial number available. Descriptions including size and color are at WWW.HUSSMANN.COM/SERVICEANDPARTS.		
	0481865	4 ft case (HE.4850638)					
	0444300	6 ft case (HE.4850609)					
	0462160	8 ft case (HE.4850636)					
	0444296	12 ft case (HE.4850572)					

Data sheet-Excel FW-L

Note: Revision D added note on page 3.

Engineering Plan Views

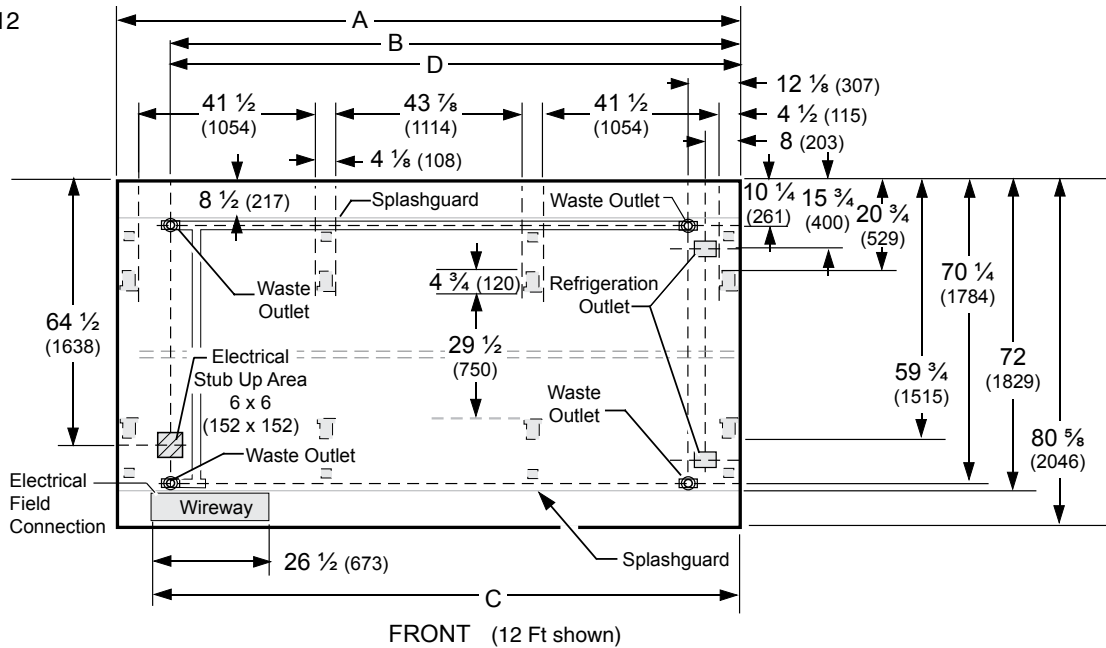
PHYSICAL DATA	
Merchandiser Drip Pipe (in.)	1 1/4
Merchandiser Liquid Line (in.)	3/8
Merchandiser Suction Line (in.)	5/8

Low / Medium Temperature

Wide Island

Dimensions shown as inches & (mm).

02-2012



	4 ft	6 ft	8 ft	12 ft
General				
(A) Case Length (<i>without ends or partitions</i>)	48 1/4 (1226)	73 3/4 (1874)	96 3/8 (2448)	144 1/2 (3670)
<i>(Each end and insulated partition adds 2 in. (51 mm) to case line up.)</i>				
Maximum O/S dimension of case back to front (<i>includes bumper</i>)	80 5/8 (2046)	80 5/8 (2046)	80 5/8 (2046)	80 5/8 (2046)
Back of case to front of splashguard	72 (1829)	72 (1829)	72 (1829)	72 (1829)
Back of case to O/S edge of front leg	59 3/4 (1515)	59 3/4 (1515)	59 3/4 (1515)	59 3/4 (1515)
Distance between edges of external legs and center legs	NA	30 1/4 (768)	41 1/2 (1054)	41 1/2 (1054)
Distance between edges of center legs	NA	NA	NA	43 7/8 (1114)
Distance between front legs and splashguard	12 3/8 (312)	12 3/8 (312)	12 3/8 (312)	12 3/8 (312)
Electrical Service (<i>Electrical Field Wiring connection point</i>)				
(B) RH End of case to center of stub up area	36 1/8 (918)	61 5/8 (1565)	84 1/4 (2140)	132 3/8 (3363)
Back of case to center of stub up area	64 1/2 (1638)	64 1/2 (1638)	64 1/2 (1638)	64 1/2 (1638)
Length of electrical wireway	26 1/2 (673)	26 1/2 (673)	26 1/2 (673)	26 1/2 (673)
(C) RH End of case to LH end of wireway	40 1/2 (1029)	67 1/2 (1715)	90 1/8 (2289)	138 1/4 (3511)
Waste Outlets (<i>One each end</i>)				
(D) RH End of case to the center of LH waste outlet	36 1/8 (918)	61 5/8 (1565)	84 1/4 (2140)	132 3/8 (3363)
RH End of case to the center of RH waste outlet	12 1/8 (307)	12 1/8 (307)	12 1/8 (307)	12 1/8 (307)
Back O/S of case to center of waste outlets	70 1/4 (1784)	70 1/4 (1784)	70 1/4 (1784)	70 1/4 (1784)
Schedule 40 PVC drip pipe	1 1/4 (32)	1 1/4 (32)	1 1/4 (32)	1 1/4 (32)
Refrigeration Outlet				
Back of case to center of front refrigeration outlet	64 7/8 (1646)	64 7/8 (1646)	64 7/8 (1646)	64 7/8 (1646)
Back of case to center of rear refrigeration outlet	15 3/4 (400)	15 3/4 (400)	15 3/4 (400)	15 3/4 (400)
RH end of case to center of refrigeration outlet	8 (203)	8 (203)	8 (203)	8 (203)

Wide Island Display with Solid Walls and Lids



Hussmann refrigerated merchandisers configured for sale for use in the United States meet or surpass the requirements of the DOE 2012 energy efficiency standards.

Excel FW-L
Low / Medium Temperature

REFRIGERATION DATA**

Note: This data is based on store temperature and humidity that does not exceed 75°F and 55% R.H.

	MED	FF	IC
Discharge Air (°F)	+32	-10	-19
Evaporator (°F)	+25	-15	-24
Unit Sizing (°F)	+23	-18	-27

Btu/hr/ft*	MED	FF	IC
PARALLEL	200	240	250
CONVENTIONAL	205	250	260

* Add 3 Btu/hr/ft for LED lighting.

**Dual temperature operation kits are not suitable for ice cream temperature applications.

DEFROST DATA

	MED	FF	IC
Frequency (hr)	24	24	24
Defrost Water (lb/ft/day)	0.4	0.35	0.3

(± 15% based on case configuration and product loading).

ELECTRIC	MED	FF	IC
Temp Term (°F)	48	48	48
Failsafe (minutes)	30	50	60

GAS	MED	FF	IC
Duration (minutes)	NA	15	18

OFFTIME Not Recommended

Standard Defrost Thermostat

Close on rise: close 48°F — open 33°F

CONVENTIONAL CONTROLS

Low Pressure Backup Control — CI/CO **

MED	+28°F / +16°F
FF	-15°F / -27°F
IC	-21°F / -33°F

Indoor Unit Only, Pressure Defrost Termination***

Not Recommended

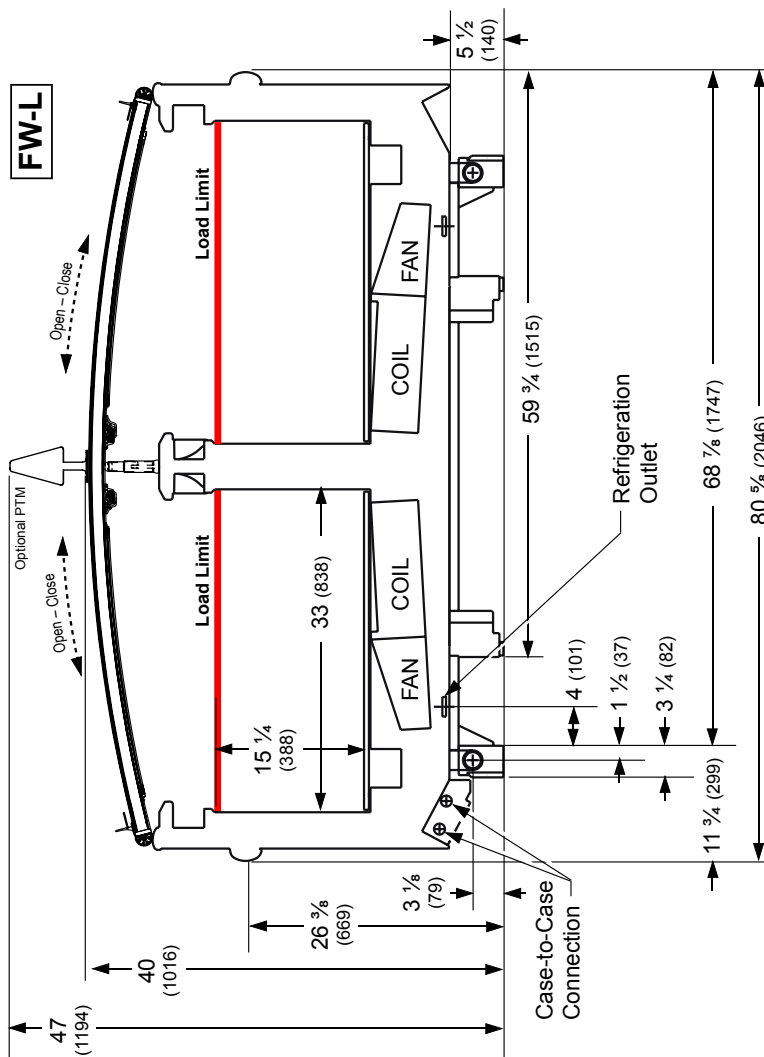
***Use a Temperature Pressure Chart to determine PSIG conversions.

Estimated Charge ****

4 ft	1.7 lb	27 oz	0.8 kg
6 ft	2.1 lb	34 oz	1.0 kg
8 ft	2.5 lb	40 oz	1.1 kg
12 ft	3.7 lb	59 oz	1.7 kg

****This is an average for all refrigerant types. Actual refrigerant charge may vary by approximately half a pound (8 oz/0.2 kg).

Dimensions shown as inches & (mm).



NSF Certification

This merchandiser model is manufactured to meet NSF/ANSI (National Sanitation Foundation) Standard #7 requirements for construction, materials & cleanability.

Excel FW-L Low / Medium Temperature
--

Electrical Data

			4 ft	6 ft	8 ft	12 ft				
Number of Fans – 4W Evaporator			2	2	4	4				
			Amperes				Watts			
			4 ft	6 ft	8 ft	12 ft	4 ft	6 ft	8 ft	12 ft
Evaporator Fans										
120V	60Hz	Standard Energy Efficient	0.24	0.24	0.48	0.48	16	16	32	32
230V	60Hz	Standard Energy Efficient	0.12	0.12	0.24	0.24	16	16	32	32
230V	60Hz	Export	0.30	0.30	0.60	0.60	48	48	96	96
230V	50Hz	Export	0.36	0.36	0.72	0.72	54	54	108	108
Anti-sweat Heaters (on fan circuit)										
120V	50/60Hz	Standard	0.67	1.00	1.33	2.00	80	120	160	240
230V	50/60Hz	Export	0.35	0.52	0.70	1.04	80	120	160	240
Minimum Circuit Ampacity										
120V	60Hz	Standard Energy Efficient	1.11	1.68	2.01	2.68				
230V	60Hz	Standard Energy Efficient	0.67	0.84	1.14	1.48				
230V	60Hz	Export	0.85	1.02	1.50	1.84				
230V	50Hz	Export	0.91	1.08	1.62	1.96				
Maximum Over Current Protection 120V			20	20	20	20				
Maximum Over Current Protection 230V			15	15	15	15				
208V Electric Defrost			8.75	13.07	15.38	23.07	1820	2720	3200	4800
230V Export Electric Defrost			7.91	11.83	13.91	20.87	1820	2720	3200	4800
120V Koolgas Defrost			2.50	2.67	3.33	6.66	300	320	400	800
Standard Lighting										
None										
Optional Lighting										
LED	120V	50/60Hz	0.42	0.56	0.70	0.98	50	67	84	118
LED	230V	50/60Hz	0.22	0.29	0.36	0.51	50	67	84	118

Product Data

Recommended Usable Cube ¹ (Cu Ft/Ft)	6.99 ft ³ /ft (0.65 m ³ /m)
AHRI Total Display Area ² (Sq Ft/Ft)	4.93 ft ² /ft (1.50 m ² /m)
Shelf Area ³ (Sq Ft/Ft)	5.50 ft ² /ft (1.68 m ² /m)

- ¹ AHRI Refrigerated Volume less shelving and other unusable space: Refrigerated Volume/Unit of Length, ft³/ft [m³/m]
- ² Computed using AHRI 1200 standard methodology: Total Display Area, ft² [m²]/Unit of Length, ft [m]
- ³ Shelf surface area is composed of bottom deck plus standard shelf complement, as shown in the Hussmann **Product Reference Guide**. The standard shelf complement for this model is NONE.

ESTIMATED SHIPPING WEIGHT ⁴

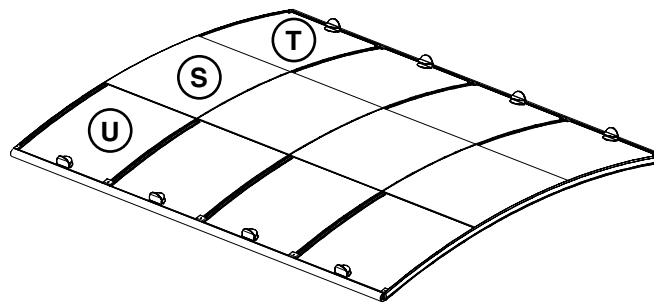
Case	4 ft	6 ft	8 ft	12 ft	Solid End (each)
lb (kg)	1103 (501)	1340 (609)	1590 (722)	1880 (855)	75 (34)

⁴ Actual weights will vary according to optional kits included.

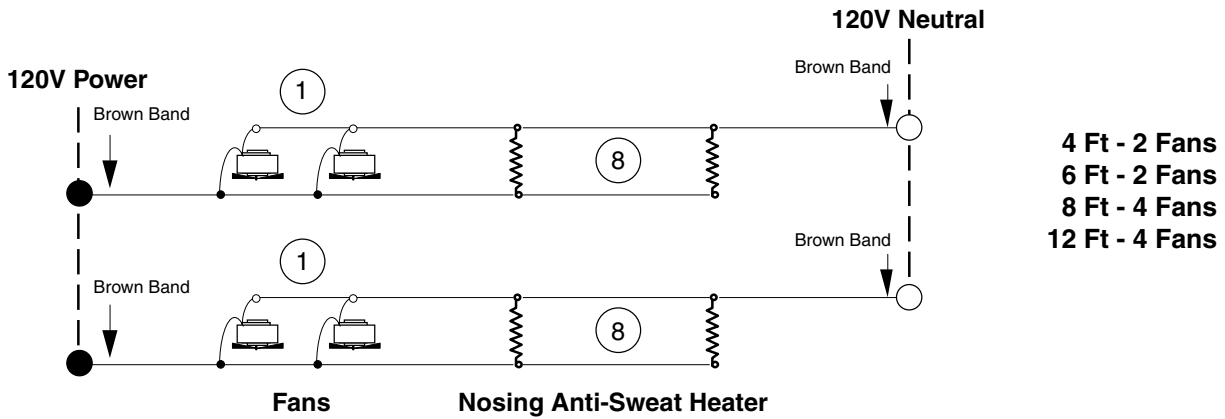
Glass Lid Replacement Parts

FW4L, FW8L, FW12L GLASS ASSEMBLIES

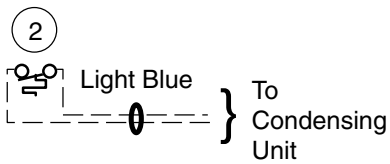
- S. 0524247 Top Glass - Fixed B00156 (GL.4998357)
- T. 0524248 Middle Glass with Handle B00157 (GL.4998358)
- U. 0524249 Bottom Glass with Handle B00158 (GL.4998359)



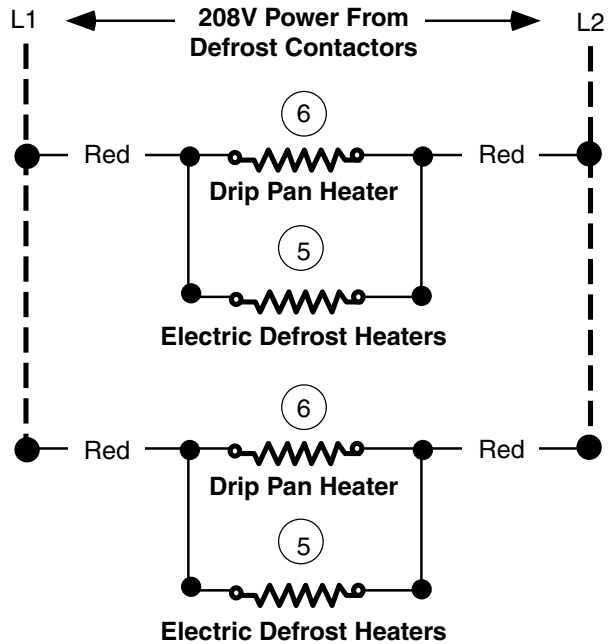
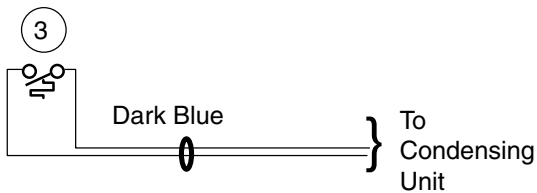
Electric Defrost – Standard



Refrigeration Thermostat (Optional)



Defrost Termination Thermostat



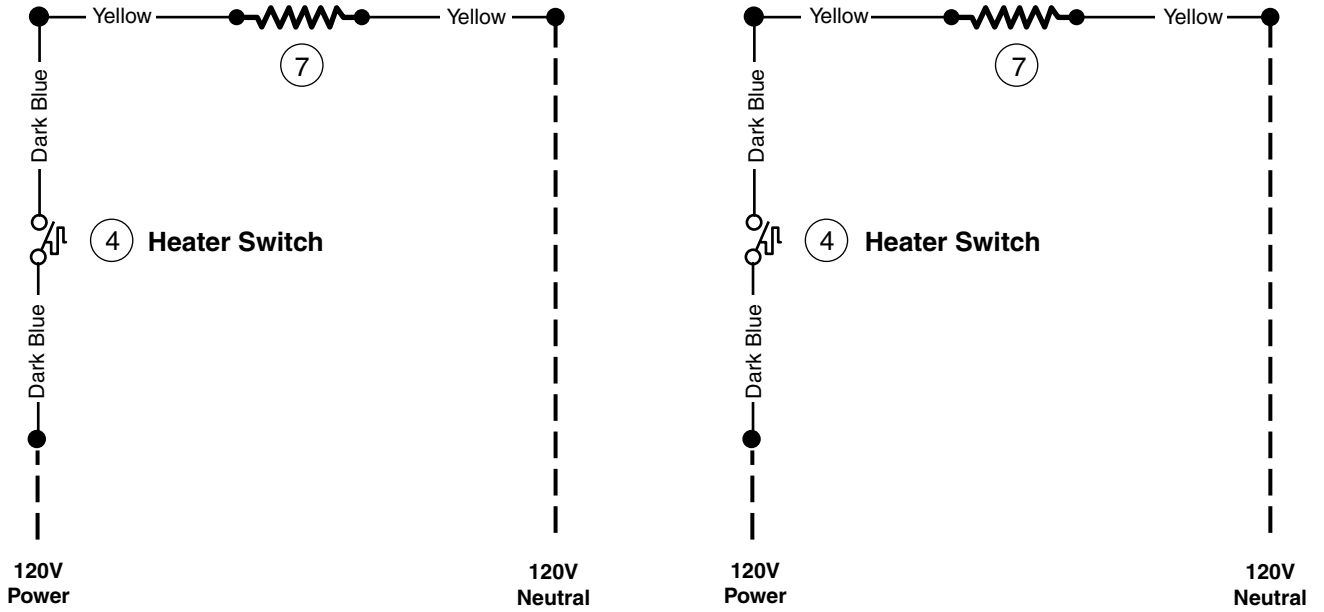
WARNING

All components must have mechanical ground, and the merchandiser must be grounded.

Circled Number = Parts List Item Numbers

Gas Defrost – Optional

120V Drip Pan Heater — Koolgas Only



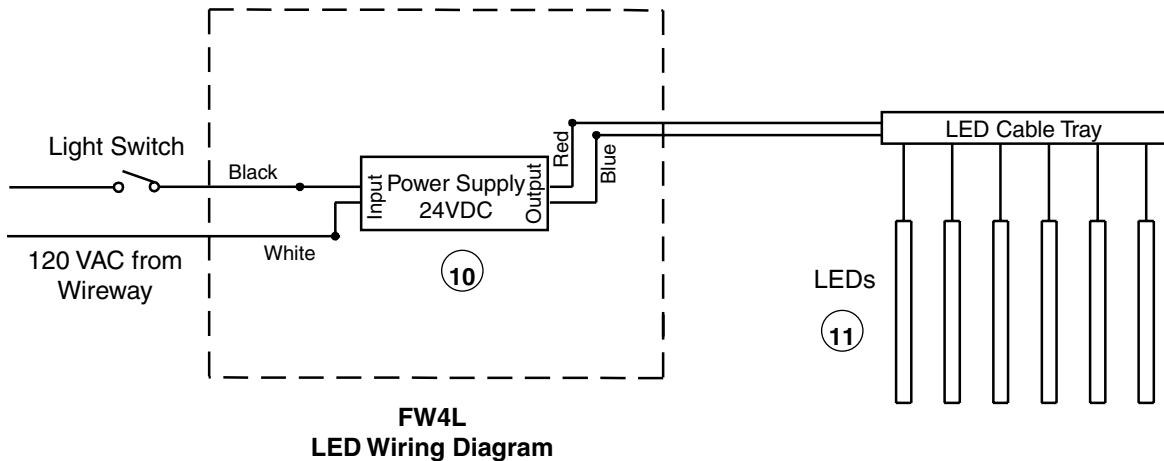
WARNING

All components must have mechanical ground, and the merchandiser must be grounded.

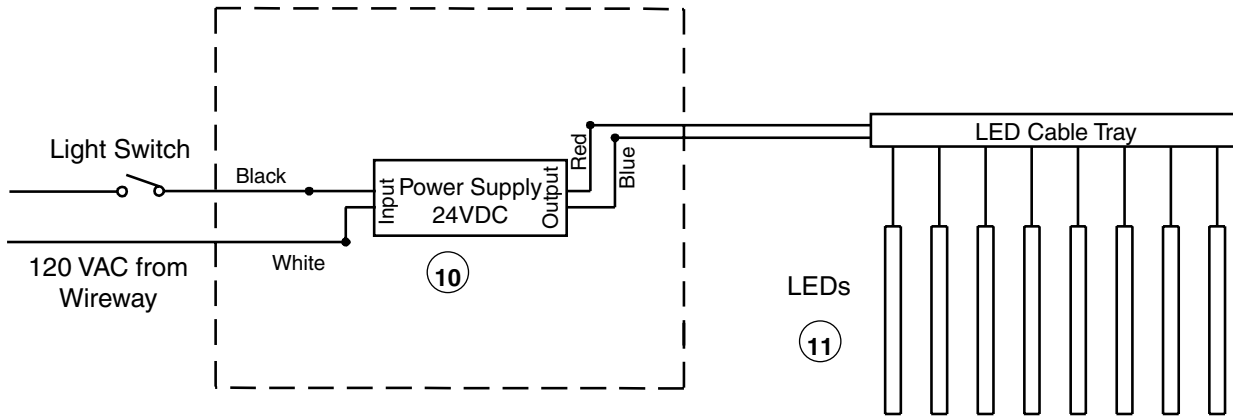
Circled Number = Parts List Item Numbers

Grayed components in 12 foot models only.

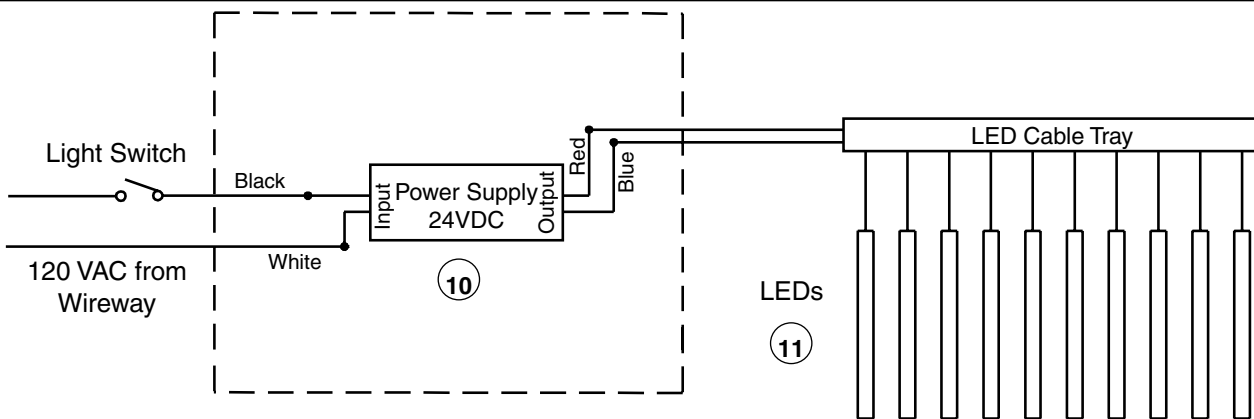
Optional LED Lighting Wiring Diagrams



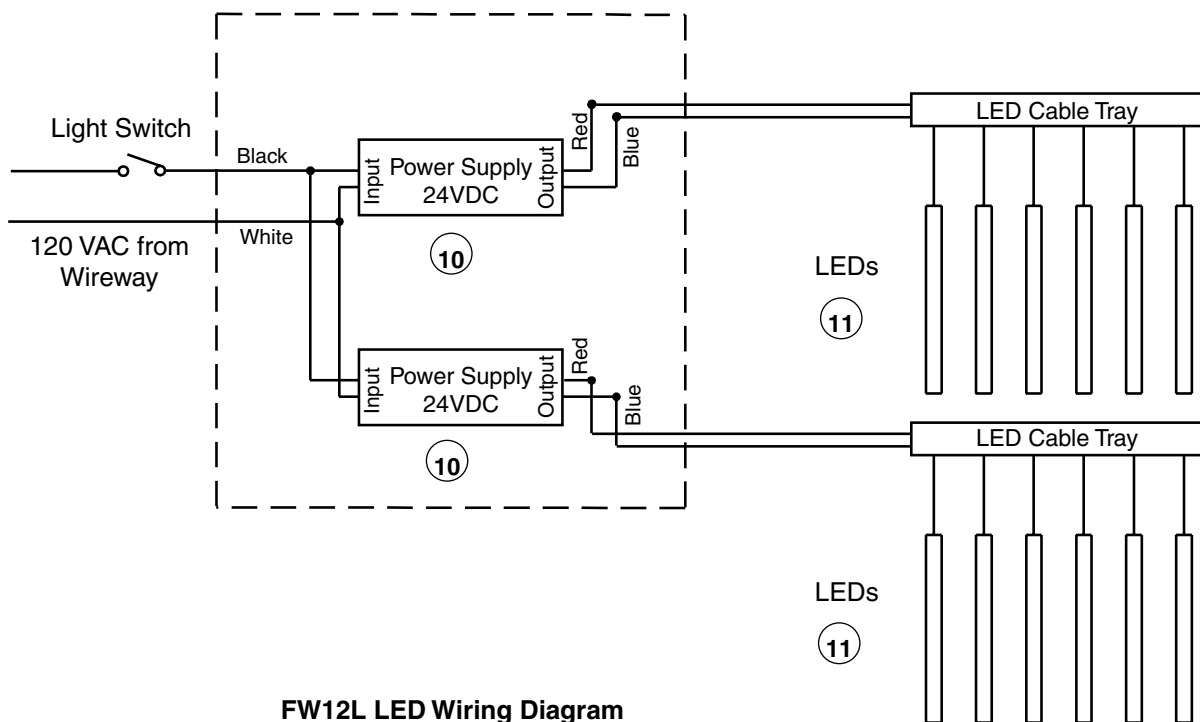
Optional LED Lighting Wiring Diagrams



**FW6L
LED Wiring Diagram**



**FW8L
LED Wiring Diagram**



FW12L LED Wiring Diagram