

We reserve the right to change or revise specifications and product design in connection with any feature of our products. Such changes do not entitle the buyer to corresponding changes, improvements, additions or replacements for equipment previously sold or shipped.

Item	Part #	Description	Wiring Item #	Item	Part #	Description	Wiring Item #
FAN ASSEMBLIES				LAMPS AND BALLASTS			
4 Ft, 8 Ft & 12 Ft				H.		Ballast, Electronic	(6)
A.		25W Standard Energy Efficient Fan Assembly	(1)	0480130		2 lamps	
	0477655	Fan Motor, Evaporator		0480131		3 lamps	
	0461805	Fan Blade		0480132		4 lamps	
6 Ft Only				J.		Fluorescent Lamp	(7)
A.		7W Energy Efficient Fan Assembly	(1)			<i>Replace with like fixtures</i>	
	0477654	Fan Motor, Evaporator		LED FIXTURES AND POWER SUPPLY			
	0142780	Fan Blade		K.	0501213	Power Supply	(8)
DIXELL CONTROL				L.		LED Canopy Fixture	(9)
B.	0527322	Display	(2)			<i>Replace with like fixtures</i>	
C.	3044948	Control Assembly	(3)	M.		LED Shelf Fixture	(10)
D.	0334802	Discharge Air Sensor	(4)			<i>Replace with like fixtures</i>	
	0527321	Display Cable		REFRIGERATION			
E.	0516897	Condensate Pump	(5)				
F.	3002341	TEV R448A					

Datasheet-Excel-DF5NX

Note: Revision K: Updated refrigerant charges.

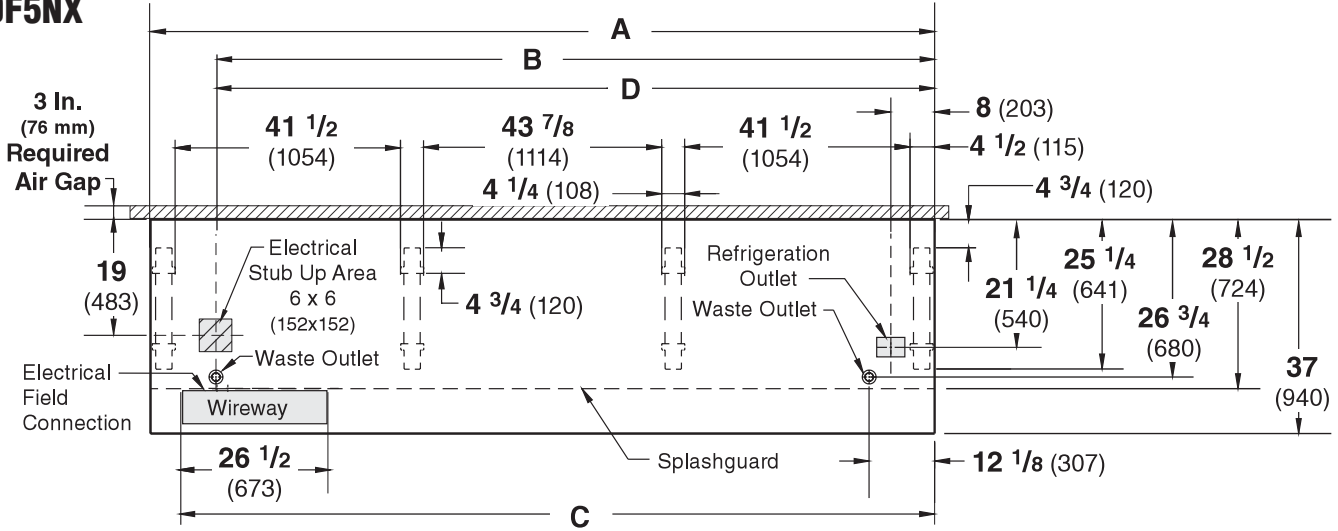
Engineering Plan Views

PHYSICAL DATA	
Merchandiser Drip Pipe (in.)	1 1/4
Merchandiser Liquid Line (in.)	3/8
Merchandiser Suction Line (in.)	7/8

Narrow Dairy & Delicatessen

Dimensions shown as in. and (mm).

06-2012
DF5NX



NOTE: Case-to-Case Electrical Connections are made IN FRONT OF SPLASHGUARD.

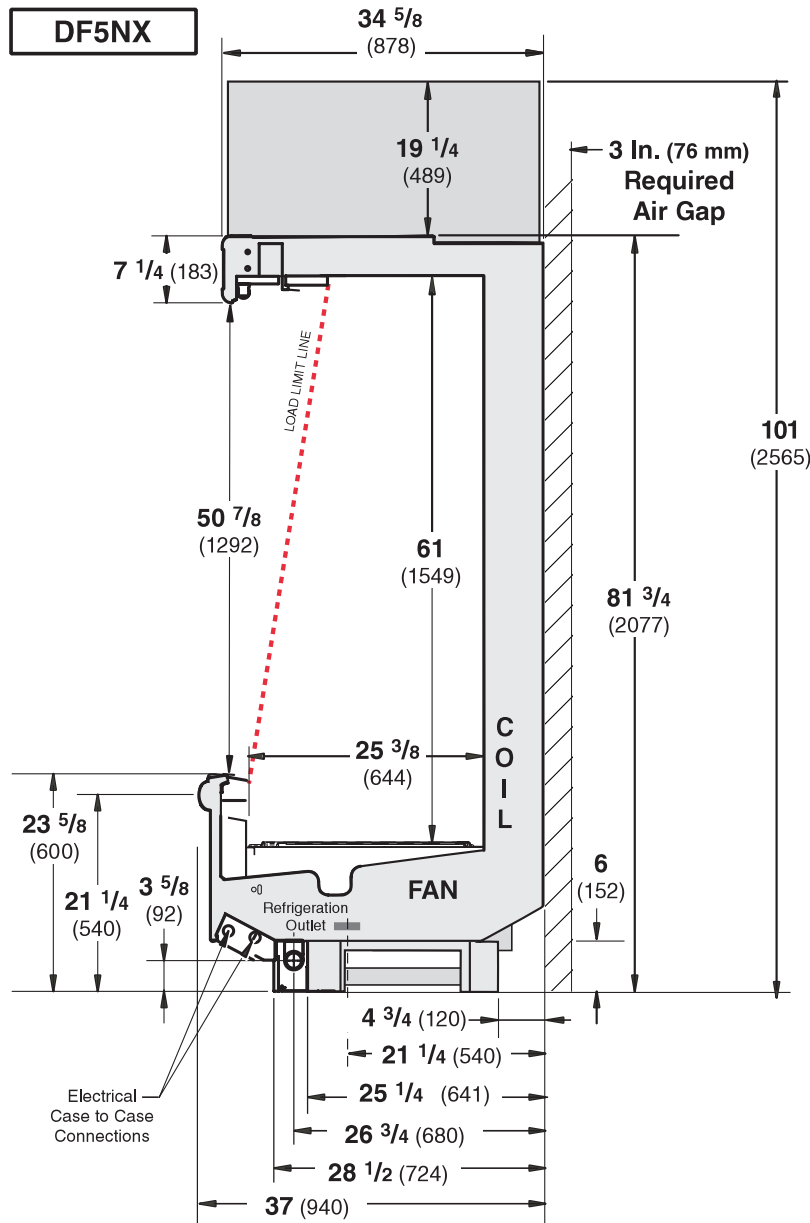
	4 ft	6 ft	8 ft	12 ft
General				
(A) Case Length (<i>without ends, with acrylic partitions</i>) (Each end and insulated partition adds 1 1/2 in. (38 mm) to case line up.)	48 3/8 (1229)	72 3/8 (1838)	96 3/8 (2448)	144 1/2 (3670)
Maximum O/S dimension of case back to front (includes bumper)	37 (940)	37 (940)	37 (940)	37 (940)
Back of case to front of splashguard	28 1/2 (724)	28 1/2 (724)	28 1/2 (724)	28 1/2 (724)
Back of case to O/S edge of front leg	25 1/4 (641)	25 1/4 (641)	25 1/4 (641)	25 1/4 (641)
Distance between edges of external legs and center legs	NA	29 1/2 (750)	41 1/2 (1054)	41 1/2 (1054)
Distance between edges of center legs	NA	NA	NA	43 7/8 (1114)
Distance between front legs and splashguard	2 3/4 (70)	2 3/4 (70)	2 3/4 (70)	2 3/4 (70)
Electrical Service <input checked="" type="checkbox"/> (<i>Electrical Field Wiring connection point</i>)				
(B) RH End of case to center of stub up area	36 1/4 (921)	60 1/4 (1530)	84 1/4 (2140)	132 3/8 (3363)
Back of case to center of stub up area	19 (483)	19 (483)	19 (483)	19 (483)
Length of electrical wireway Wireway	26 1/2 (673)	26 1/2 (673)	26 1/2 (673)	26 1/2 (673)
(C) RH End of case to LH end of wireway	42 1/8 (1070)	66 1/8 (1680)	90 1/8 (2289)	138 1/4 (3511)
Waste Outlets (<i>One each end</i>) <input checked="" type="checkbox"/>				
(D) RH End of case to the center of LH waste outlet	36 1/4 (921)	60 1/4 (1530)	84 1/4 (2140)	132 3/8 (3363)
RH End of case to the center of RH waste outlet	12 1/8 (307)	12 1/8 (307)	12 1/8 (307)	12 1/8 (307)
Back O/S of case to center of waste outlets	26 3/4 (680)	26 3/4 (680)	26 3/4 (680)	26 3/4 (680)
Schedule 40 PVC drip pipe	1 1/4 (32)	1 1/4 (32)	1 1/4 (32)	1 1/4 (32)
Refrigeration Outlet <input type="checkbox"/>				
Back of case to center of refrigeration outlet	21 1/4 (540)	21 1/4 (540)	21 1/4 (540)	21 1/4 (540)
RH end of case to center of refrigeration outlet	8 (203)	8 (203)	8 (203)	8 (203)

Multi-deck, 5 Display Levels



Hussmann refrigerated merchandisers configured for sale for use in the United States meet or surpass the requirements of the DOE 2017 energy efficiency standards.

Dimensions shown as in. and (mm).



NSF Certification

This merchandiser model is manufactured to meet NSF/ANSI (National Sanitation Foundation) Standard #7 requirements for construction, materials & cleanability.

Excel DF5NX Dairy/Delicatessen

REFRIGERATION DATA

Note: This data is based on store temperature and humidity that does not exceed 75°F and 55% R.H.

DF5NX [§]	DAIRY/DELI	
	UNLIT	LIT
Discharge Air (°F)	32	30
Evaporator (°F)	28	26
Unit Sizing (°F)	26	24

§ Average evaporator temperature shown. Use dew point for high glide refrigerants for unit sizing. Care should be taken to use the dew point in PT tables for measuring and adjusting superheat. Adjust evaporator pressure as needed to maintain discharge air temperature shown.

Btu/hr/ft — Unlit Shelves[‡]

DF5NX	Parallel	Conventional
UNLIT	1308	1388

‡ Add 10 Btu/hr/ft per shelf row for LED fixtures. Add 20 Btu/hr/ft per shelf row for fluorescent lamps.

DEFROST DATA

	DF5NX
Frequency Hrs	6
Defrost Water (lb/ft/day)	10.5

(± 15% based on case configuration and product loading).

TEMPERATURE TERMINATED	DF5NX
Temp (°F)	48°F
Failsafe (Minutes)	45

ELECTRIC OR GAS Not Recommended

CONVENTIONAL CONTROLS

Low Pressure Backup Control

CI/CO*

DF5NX	DAIRY/DELI
Temp (°F)	19°F / 9°F

*Use a Temperature Pressure Chart to determine PSIG conversions.

Working charge with recommended Condensing Unit installed:

4 ft	8.6 lb	137.6 oz	3.90 kg
6 ft	5.3 lb	84.8 oz	2.40 kg
8 ft	5.8 lb	92.8 oz	2.63 kg
12 ft	9.8 lb	156.8 oz	4.44 kg

Excel DF5NX

Dairy/Delicatessen

Electrical Data

	4 ft	6 ft	8 ft	12 ft				
Number of Fans—12W	1	—	2	3				
Number of Fans—7W	—	4	—	—				
	Amperes				Watts			
	4 ft	6 ft	8 ft	12 ft	4 ft	6 ft	8 ft	12 ft
Evaporator Fan								
120V 50/60Hz Standard Energy Efficient	0.30	0.38	0.60	0.90	18	28	36	54
Minimum Circuit Ampacity								
120V 50/60Hz Standard Energy Efficient	0.50	0.58	0.80	1.10				
Maximum Over Current Protection 120V	20	20	20	20				
Standard Lighting (T-8 Fluorescent)								
1 Row Canopy	0.26	0.51	0.51	0.77	30	59	59	85

ONLY LIGHTING CONFIGURATIONS THAT ARE COMPLIANT WITH THE U.S. DEPT. OF ENERGY (DOE) 2017 REGULATION ARE AVAILABLE FOR SALE FOR USE IN THE U.S.A.

Optional Lighting (T-8 Fluorescent)

Additional 1 Row Canopy	0.26	0.51	0.51	0.77	30	59	59	85
Additional 2 Row Canopy	0.51	1.02	1.02	1.54	59	118	118	170
Additional 3 Row Canopy	0.77	1.53	1.53	2.31	89	177	177	255
1 Row Rail Light	0.26	0.51	0.51	0.77	30	59	59	85
1 Row of Shelves	0.26	0.51	0.51	0.77	30	59	59	85
2 Rows of Shelves	0.51	1.02	1.02	1.54	59	118	118	170
3 Rows of Shelves	0.77	1.53	1.53	2.31	89	177	177	255
4 Rows of Shelves	1.02	2.04	2.04	3.08	118	236	236	340
5 Rows of Shelves	1.28	2.55	2.55	3.85	148	295	295	425
6 Rows of Shelves	1.53	3.06	3.06	4.62	177	354	354	510

EcoShine II Canopy

EcoShine II	0.16	0.26	0.32	0.48	19.3	31.6	38.6	58.0
EcoShine II HO	0.22	0.33	0.44	0.66	26.5	39.5	53.0	79.4

EcoShine II Rail Light —1 Row

	0.08	0.12	0.16	0.25	9.9	14.1	19.8	29.7
--	------	------	------	------	-----	------	------	------

EcoShine II Shelves

1 Row of Shelves	0.08	0.12	0.16	0.25	9.9	14.1	19.8	29.7
2 Rows of Shelves	0.16	0.23	0.33	0.49	19.8	28.2	39.5	59.3
3 Rows of Shelves	0.25	0.35	0.49	0.74	29.7	42.3	59.3	89.0
4 Rows of Shelves	0.33	0.47	0.66	0.99	39.5	56.4	79.1	118.6
5 Rows of Shelves	0.41	0.59	0.82	1.24	49.4	70.5	98.9	148.3
6 Rows of Shelves	0.49	0.70	0.99	1.48	59.3	84.5	118.6	178.0
7 Rows of Shelves	0.58	0.82	1.15	1.73	69.2	98.6	138.4	207.6

120V Lighting Circuit Total = Standard Lighting + Total Optional Lighting + Optional Shelf Lighting

120V LED Lighting Circuit Total = Canopy Lighting + Shelf Lighting

230V Lighting Circuit Total = Multiply 120V Lighting Circuit Total by 0.52

Please note: some combinations of fluorescent lights on this case model may not be compliant with DOE 2017 and may not be available to order in the US and Canada. More lighting options are available with LED lights. The Hussmann Product Configurator will not allow lighting options that do not comply with the DOE 2017 standards.

Product Data

<i>Recommended Usable Cube</i> ¹ (Cu Ft/Ft)	7.076 ft ³ /ft (0.66 m ³ /m)
<i>AHRI Total Display Area</i> ² (Sq Ft/Ft)	4.240 ft ² /ft (1.29 m ² /m)
<i>Shelf Area</i> ³ (Sq Ft/Ft)	7.448 ft ² /ft (2.27 m ² /m)

¹ AHRI Refrigerated Volume less shelving and other unusable space: Refrigerated Volume/Unit of Length, ft³/ft [m³/m]

² Computed using AHRI 1200 standard methodology: Total Display Area, ft² [m²]/Unit of Length, ft [m]

³ Shelf surface area is composed of bottom deck plus standard shelf complement, as shown in the Hussmann *Product Reference Guide*. The standard shelf complement for this model is (4) rows of 16-inch shelves.

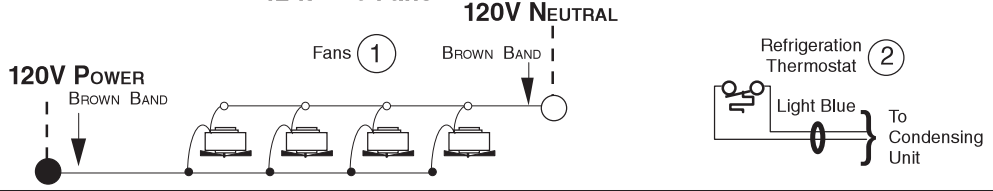
ESTIMATED SHIPPING WEIGHT⁴

Case	<i>4 ft</i>	<i>6 ft</i>	<i>8 ft</i>	<i>12 ft</i>	Solid End (each)
lb (kg)	800 (363)	1000 (454)	1200 (544)	1400 (635)	100 (45)

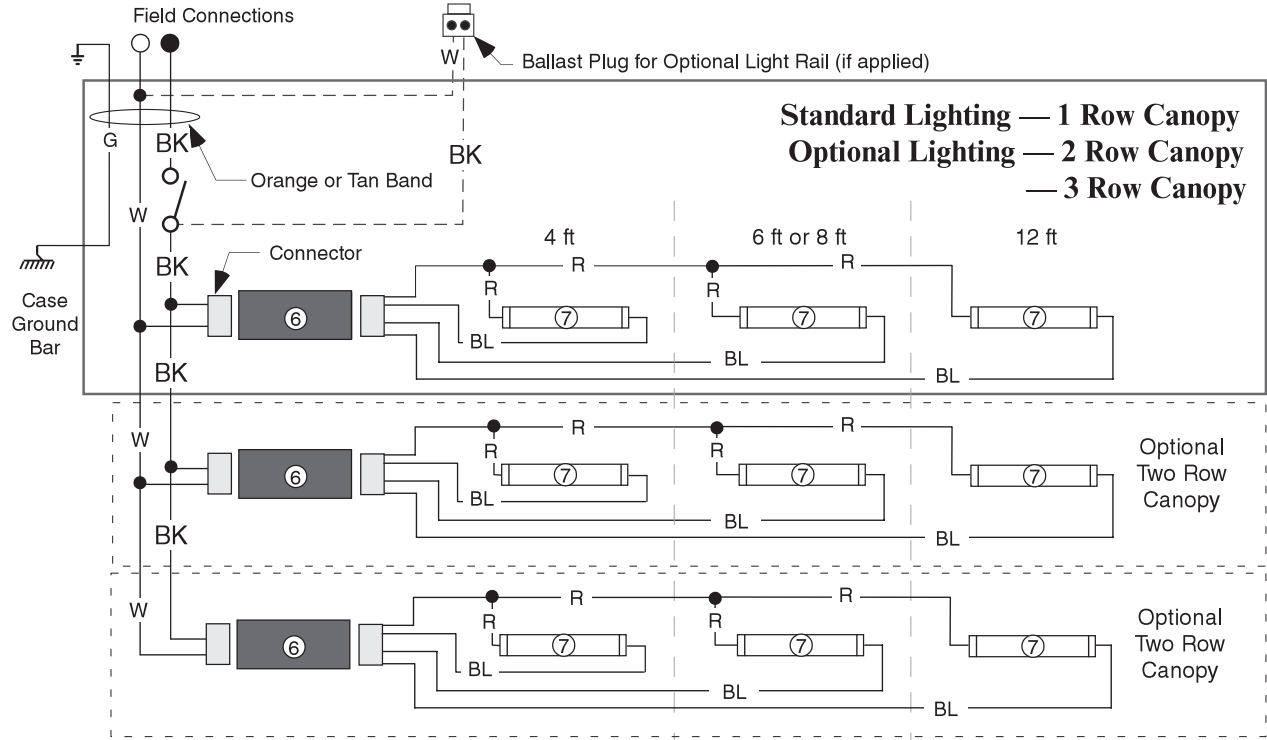
⁴ Actual weights will vary according to optional kits included.

Fan Wiring Offtime Defrost

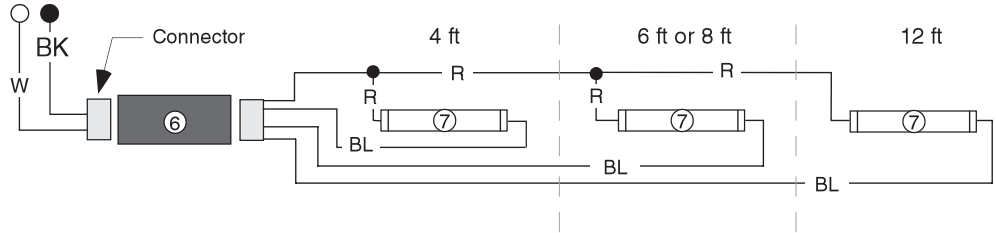
1, 2, 3 & 4 Fans
 4 ft — 1 Fan
 6 ft — 4 Fans
 8 ft — 2 Fans
 12 ft — 3 Fans



Canopy Light Circuits — Fluorescent Fixtures



Optional Lighting — 1 Row Rail



WARNING

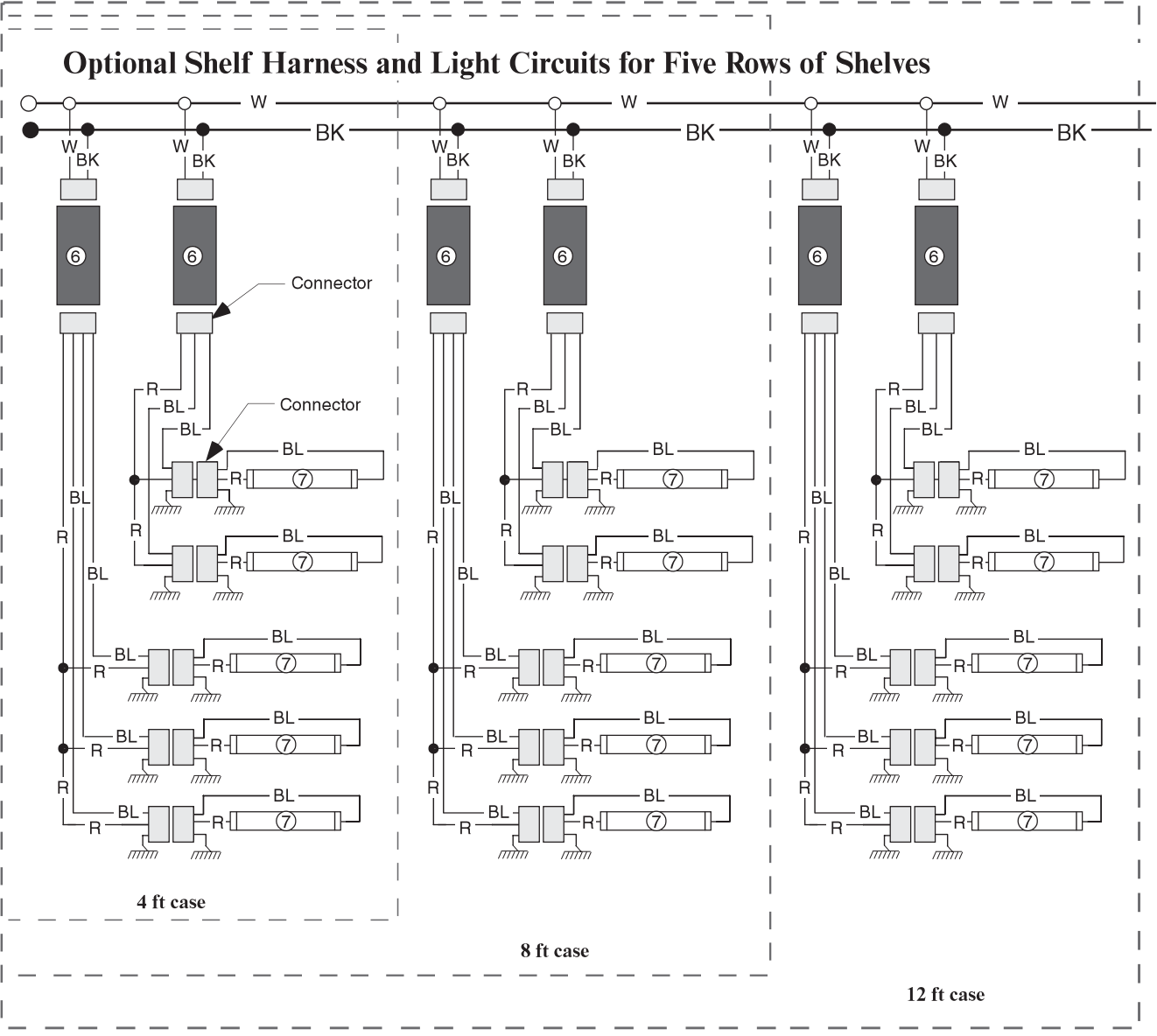
All components must have mechanical ground, and the merchandiser must be grounded.

CIRCLED NUMBERS = PARTS LIST ITEM NUMBERS

R = Red Y = Yellow G = Green BL = Blue BK = Black W = White

● = 120V POWER ○ = 120V NEUTRAL ⊥ = FIELD GROUND ⏏ = CASE GROUND

**Optional Shelf Lighting
Fluorescent Fixtures**



WARNING

All components must have mechanical ground, and the merchandiser must be grounded.

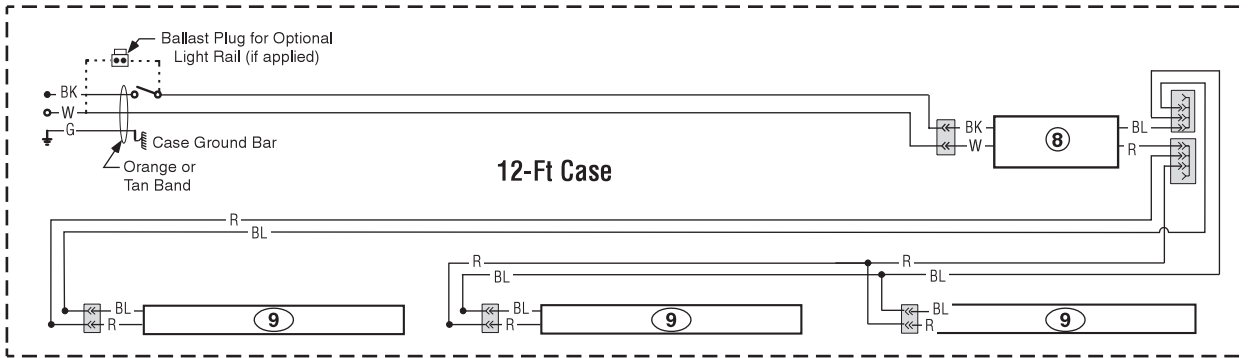
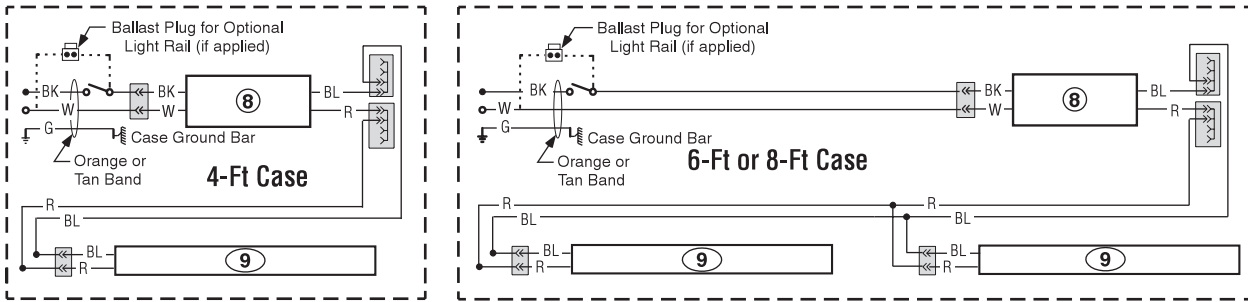
CIRCLED NUMBERS = PARTS LIST ITEM NUMBERS

R = Red Y = Yellow G = Green BL = Blue BK = Black W = White

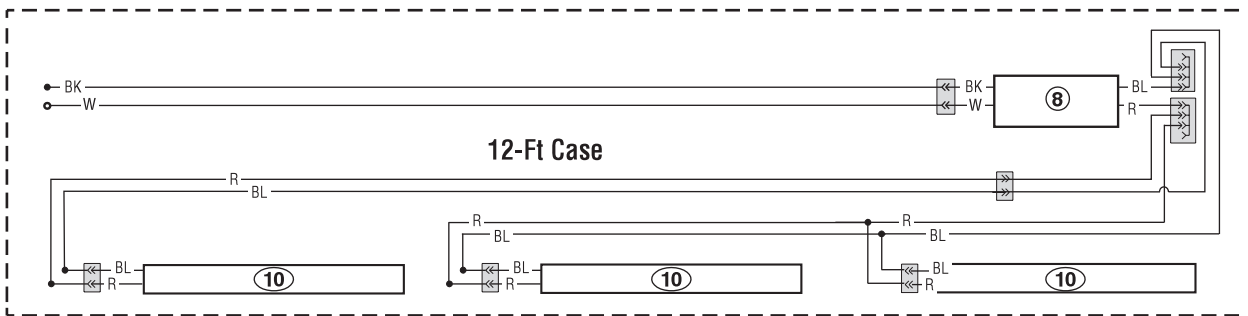
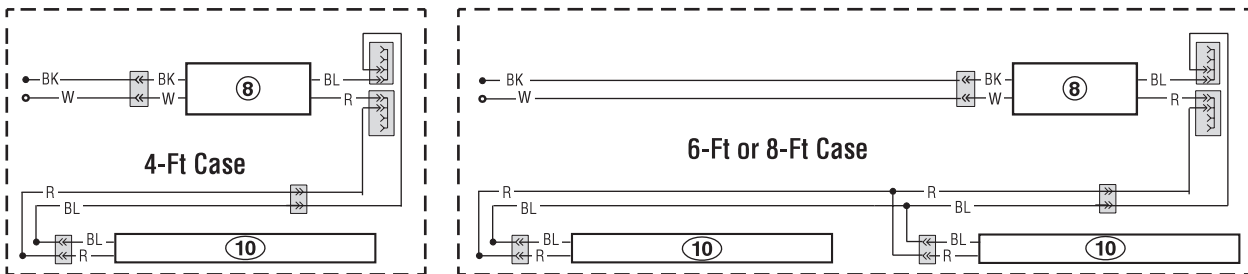
● = 120V POWER ○ = 120V NEUTRAL ⚡ = FIELD GROUND ⏏ = CASE GROUND

Optional Canopy and Rail Light Circuits — LED Fixtures

EcoShine II LED Canopy Lighting — 1 Row



EcoShine II LED Rail Lighting — 1 Row



WARNING

All components must have mechanical ground, and the merchandiser must be grounded.

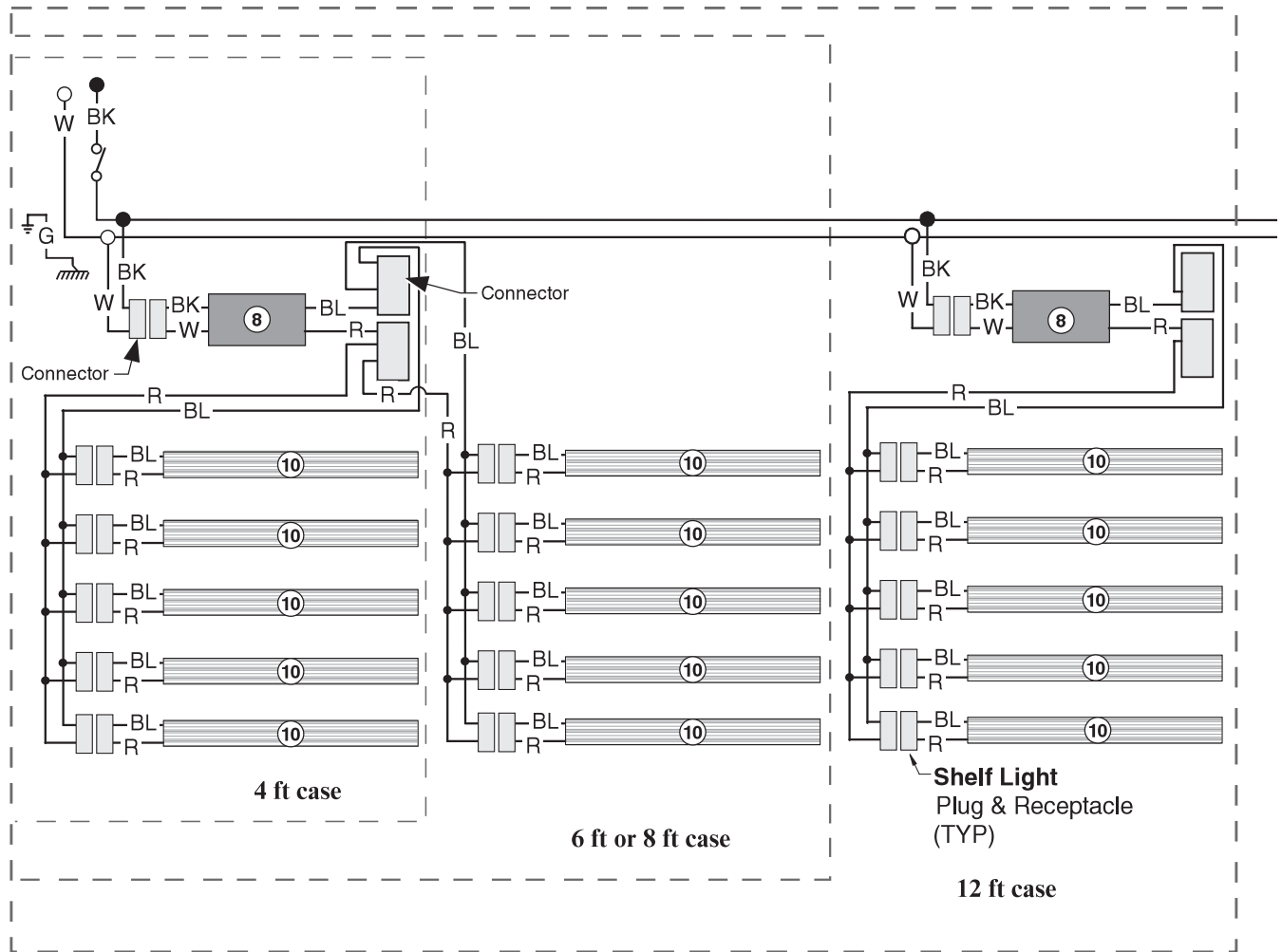
CIRCLED NUMBERS = PARTS LIST ITEM NUMBERS

R = Red Y = Yellow G = Green BL = Blue BK = Black W = White

● = 120V POWER ○ = 120V NEUTRAL ⚡ = FIELD GROUND $\overline{\overline{m}}$ = CASE GROUND

Optional Shelf Lighting LED Fixtures

Optional Shelf Harness and LED Light Circuits for 4 or 5 Rows of Shelves



WARNING

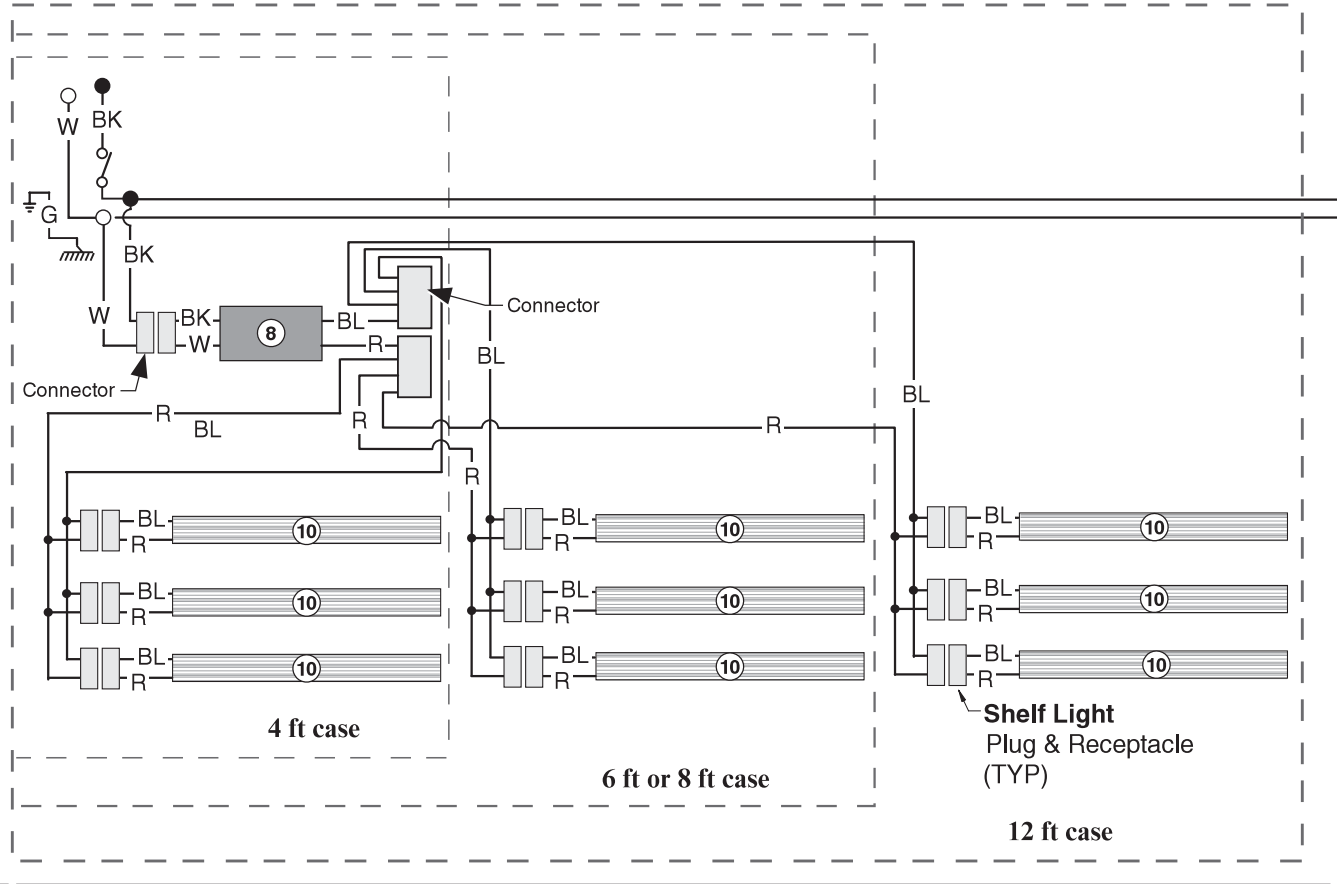
All components must have mechanical ground, and the merchandiser must be grounded.

CIRCLED NUMBERS = PARTS LIST ITEM NUMBERS

R = Red	G = Green	BL = Blue	BK = Black	W = White
● = 100V POWER	○ = 100V NEUTRAL	⏚ = FIELD GROUND	⏏ = CASE GROUND	

Optional Shelf Lighting LED Fixtures

Optional Shelf Harness and LED Light Circuits for 2 or 3 Rows of Shelves



WARNING

All components must have mechanical ground, and the merchandiser must be grounded.

CIRCLED NUMBERS = PARTS LIST ITEM NUMBERS

R = Red G = Green BL = Blue BK = Black W = White

● = 120V POWER ○ = 120V NEUTRAL ⚡ = FIELD GROUND mm = CASE GROUND