

Dairy / Deli / Beverage /

Produce / Meat

with EcoVision Doors

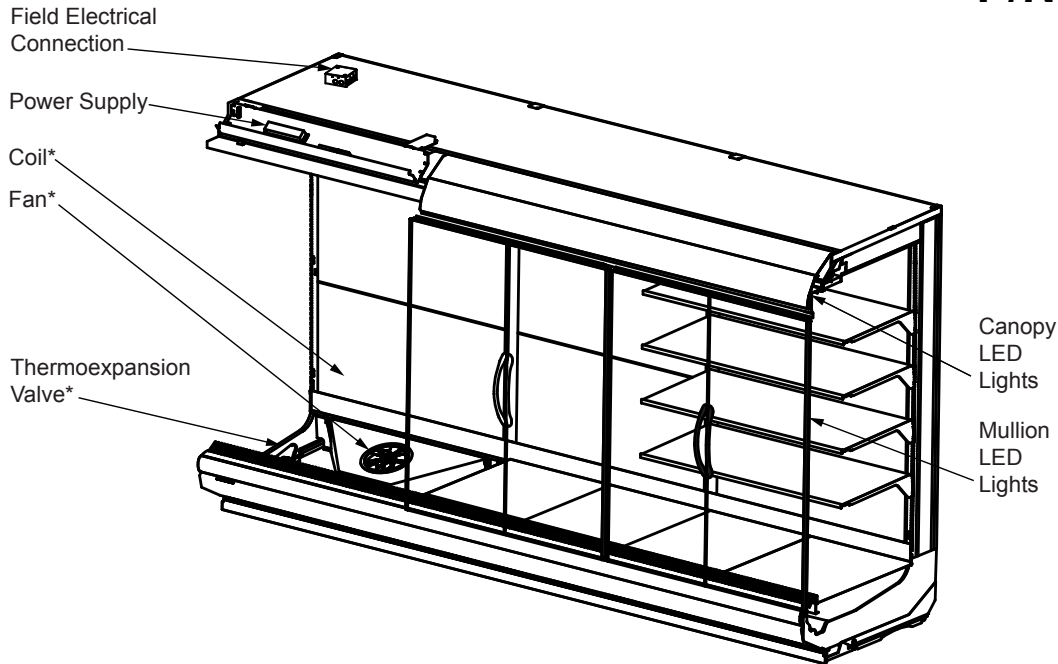
Merchandiser Data Sheet

**P/N 0539606\_M**

**NSF® Certified**

July 2019

*Insight standard field electrical connections are at the top left of the merchandiser*



\*Coils, fans and TXVs are modular with one per 3 or 4 foot section.

Portion of parts removed for clarity.

12 foot merchandiser shown.

### NSF Certification

This merchandiser model is manufactured to meet NSF/ANSI (National Sanitation Foundation) Standard #7 requirements for construction, materials and cleanability.

**IMPORTANT**

**DRAIN EXTENSION KIT  
REQUIRED TO PIPE MULTIPLE  
CASES TO ONE DRAIN OR TO  
USE A RAISED HUB DRAIN**

Performance Data	Page 2	Estimated Shipping Weights	Page 7
Product Data (AHRI Statistics)	Page 2	Shelf Options	Page 7
Cross Section	Page 3	Wiring Diagrams	Page 8
Plan View	Page 4	Computing Refrigeration and Electrical Load	Page 11
Electrical Loads	Page 6	QR Code for Parts and Product Information	Page 11
		Revision History	Page 11

Data sheet-Insight IDD5SU

We reserve the right to change or revise specifications and product design in connection with any feature of our products. Such changes do not entitle the buyer to corresponding changes, improvements, additions or replacements for equipment previously sold or shipped.

**Insight IDD5SU**  
Dairy / Deli / Beverage /  
Produce / Meat

**Refrigeration Data <sup>1</sup>**

IDD5SU		Optimal Shelf Life					Energy Comparison
Door Option		EcoVision			EcoVision HA	EcoVision HA+	EcoVision
Application		Dairy/Deli/ Beverage/ Produce	Pegs <sup>3</sup>	Convertible/ Meat	NSF Type 2 Ambient <sup>4</sup>	Harsh Environment	AHRI 1200 Rating Point <sup>5</sup>
<b>Unlit Mullions</b>	Discharge Air °F (°C)	38 (3.33)	36 (2.22)	34 (1.11)	34 (1.11)	33 (0.55)	38 (3.33)
	Average Evaporator °F (°C) <sup>2</sup>	34 (1.11)	33 (0.55)	31 (-0.55)	31 (-0.55)	30 (-1.11)	34 (1.11)
	Parallel Btu/hr/ft (Watts/m)	245 (236)	265 (255)	270 (260)	280 (269)	350 (337)	245 (236)
	Conventional Btu/hr/ft (Watts/m)	250 (241)	270 (260)	275 (264)	285 (274)	360 (346)	250 (241)
<b>Lit Mullions</b>	Discharge Air °F (°C)	37 (2.77)	35 (1.66)	33 (0.55)	33 (0.55)	32 (0)	37 (2.77)
	Average Evaporator °F (°C) <sup>2</sup>	33 (0.55)	32 (0)	30 (-1.11)	30 (-1.11)	29 (-1.67)	33 (0.55)
	Parallel Btu/hr/ft (Watts/m)	272 (262)	292 (280)	297 (285)	306 (294)	369 (355)	272 (262)
	Conventional Btu/hr/ft (Watts/m)	280 (269)	300 (288)	305 (293)	315 (303)	380 (365)	280 (269)
<b>Fan Speed<sup>6</sup></b>	IDD5SU6 (8.25")	1500 <sup>6</sup>	1500 <sup>6</sup>	1500 <sup>6</sup>	1500 <sup>6</sup>	1500 <sup>6</sup>	1500 <sup>6</sup>
	IDD5SU4, 8, 12 (8.25")	1500 <sup>6</sup>	1500 <sup>6</sup>	1500 <sup>6</sup>	1500 <sup>6</sup>	1500 <sup>6</sup>	1500 <sup>6</sup>

Notes:

1. All data based on store temperature and humidity that does not exceed NSF Type 1 ambient conditions of 75°F and 55% relative humidity except where noted.
2. Average evaporator temperature shown. Use dew point for high glide refrigerants for unit sizing. Care should be taken to use the dew point in PT tables for measuring and adjusting superheat. Adjust evaporator pressure as needed to maintain discharge air temperature shown.
3. Hussmann Peg Shelves for Dairy/Deli applications only.
4. Data for operation in NSF Type 2 ambient of 80°F and 55% relative humidity.
5. AHRI 1200 Rating Point for energy consumption comparison only.
6. Some lengths and/or applications require optional fan speed control kits applied by the Hussmann Product Configurator.

**Defrost Data**

	Type 1	Harsh Environment
<b>Frequency</b> (hours between defrost)	24	12
<b>OFFTIME Time</b> (minutes)	40	30
<b>ELECTRIC OR GAS</b>	Not Available	
<b>Defrost Water</b> <sup>7</sup>	1.0 lb/ft/day (1.5 kg/m)	2.3 lb/ft/day (3.4 kg/m)

<sup>7</sup> (± 15% based on case configuration and product loading).

**Conventional Controls**

**IDD5SU**  
**Low Pressure Backup Control CI/CO** <sup>8</sup>  
26°F / 16°F  
-3.3°C / -8.9°C

**Indoor Unit Only, Pressure Defrost Termination** <sup>8</sup>  
48°F (8.9°C)

<sup>8</sup> Use a Temperature Pressure Chart to determine PSIG conversions.

**Estimated Charge <sup>9</sup> IDD5SU**

<b>4 ft</b>	0.6 lb	9.6 oz	0.3 kg
<b>6 ft</b>	1.1 lb	17.6 oz	0.5 kg
<b>8 ft</b>	1.5 lb	24 oz	0.7 kg
<b>12 ft</b>	2.9 lb	46.4 oz	1.3 kg

<sup>9</sup> This is an average for all refrigerant types. Actual refrigerant charge may vary by approximately half a pound.

**Product Data**

<b>Gross Refrigerated Volume</b> <sup>10</sup> (Cu Ft/Ft)	12.1 ft <sup>3</sup> /ft (1.12 m <sup>3</sup> /m)
<b>AHRI Total Display Area</b> <sup>11</sup> (Sq Ft/Ft)	4.87 ft <sup>2</sup> /ft (1.48 m <sup>2</sup> /m)
<b>Shelf Area</b> <sup>12</sup> (Sq Ft/Ft)	9.82 ft <sup>2</sup> /ft (2.99 m <sup>2</sup> /m)

<sup>10</sup> AHRI Gross Refrigerated Volume: Refrigerated Volume/Unit of Length, ft<sup>3</sup>/ft [m<sup>3</sup>/m]

<sup>11</sup> Computed using AHRI 1200 standard methodology: Total Display Area, ft<sup>2</sup> [m<sup>2</sup>]/Unit of Length, ft [m]

<sup>12</sup> Shelf surface area is composed of bottom deck plus standard shelf complement for this model: (4) rows of 22-in. shelves

Insight Multideck Merchandiser, 5 Display Levels,  
Standard Bottom, Low Height Front

**Insight IDD5SU**  
Dairy / Deli / Beverage /  
Produce / Meat

**DOE 2017**  
Energy Efficiency  
Compliant

Husmann refrigerated merchandisers configured for sale for use in the United States meet or surpass the requirements of the DOE 2017 energy efficiency standards.

Dimensions shown as in. and (mm).

Shelf complement shown as tested:  
  
Four rows of 22-in. shelves spaced equally between bottom display pan and interior top panel.

**Other optional kits (top piping and vent fans) add to the overall case height.**

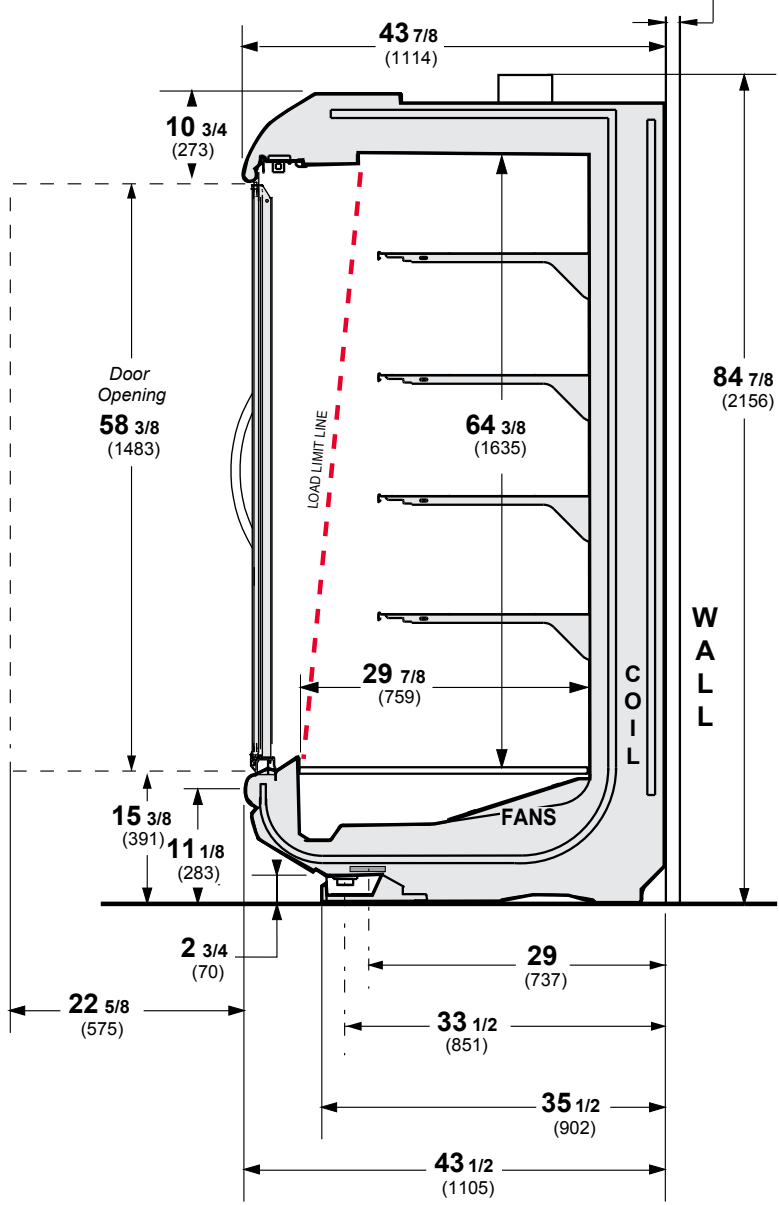
**A minimum 1 1/2-in. clearance required to remove raceway cover, 6 1/2-in. for full access. See the Installation manual for instructions.**

**3-in. between back to back cases.**

**Shown with Ellipse Option Canopy and Bumper.**

**IDD5SU**

**1 1/2 In. (38 mm)  
Required  
Air Gap**

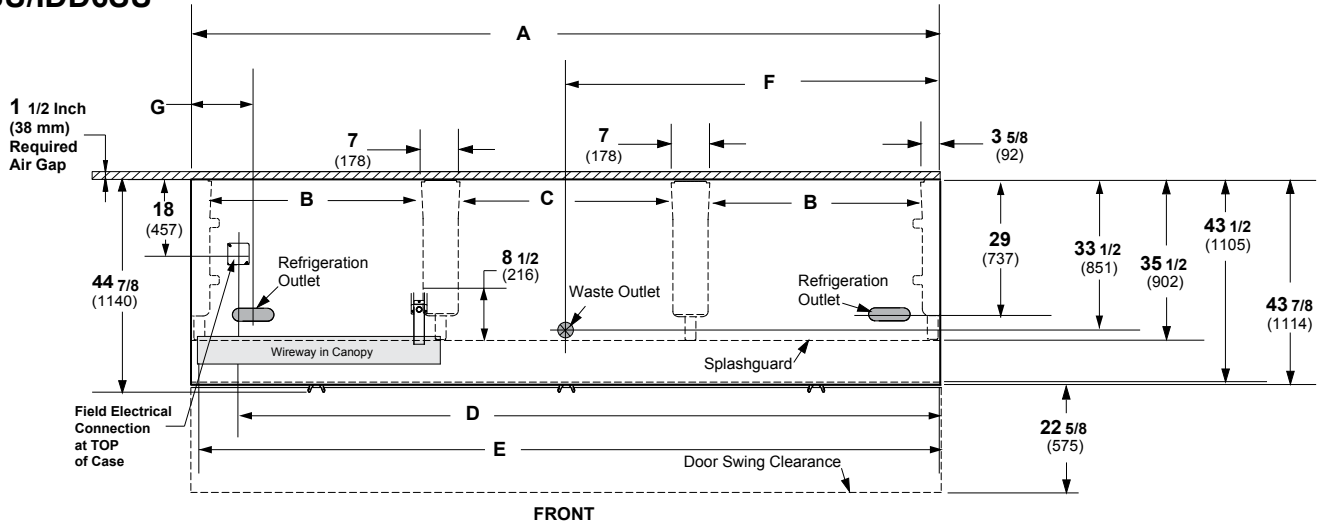


# Engineering Plan View

**WARNING: Floor Drain must be located within 24 inches of Waste Outlet.  
See page 5 for Drain Extension Option (must be used with hub-style floor drains).**

Dimensions shown as in. and (mm).

## IDD5SU/IDD6SU



(12 Foot Model shown above)

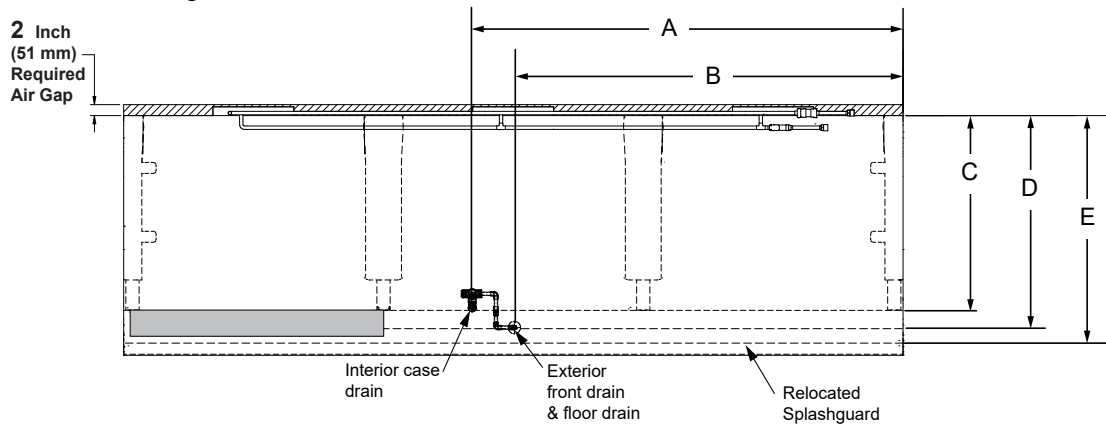
	4 ft	6 ft	8 ft	12 ft
<b>General</b>				
(A) Case Length (without ends or partitions) (Each end and insulated partition adds 1 1/2 in. (38 mm) to case line up.)	48 1/8 (1222)	72 1/4 (1835)	96 1/4 (2445)	144 3/8 (3667)
Maximum O/S dimension of case back to front (includes bumper)	43 1/2 (1105)	43 1/2 (1105)	43 1/2 (1105)	43 1/2 (1105)
Back of case to front of splashguard	35 1/2 (902)	35 1/2 (902)	35 1/2 (902)	35 1/2 (902)
(B) Distance between edges of external legs and center legs	NA	29 (737)	41 (1041)	41 (1041)
(C) Distance between edges of center legs	41 1/8 (1045)	NA	NA	41 1/8 (1045)
Distance between front legs and splashguard	8 (203)	8 (203)	8 (203)	8 (203)
<b>Electrical Service (Field Electrical Wiring Connection)</b>				
(D) RH End of case to center of Field Electrical Wiring Connection (top of case)	39 3/8 (1000)	63 1/2 (1613)	87 1/2 (2223)	135 1/2 (3442)
Back of case to center of Field Electrical Wiring Connection	18 (457)	18 (457)	18 (457)	18 (457)
Length of electrical wireway	44 5/8 (1133)	33 1/2 (851)	45 7/8 (1165)	45 7/8 (1165)
(E) RH end of case to LH end of electrical wireway (top of case)	46 1/2 (1181)	70 1/2 (1791)	94 1/2 (2400)	142 5/8 (3630)
<b>Waste Outlets (see page 5 for drain extension option)</b>				
(F) RH End of case to the center of waste outlet	24 1/8 (613)	24 1/8 (613)	24 1/8 (613)	72 1/4 (1835)
Back O/S of case to center of waste outlet(s)	33 1/2 (851)	33 1/2 (851)	33 1/2 (851)	33 1/2 (851)
Schedule 40 PVC drip pipe	1 1/4 (32)	1 1/4 (32)	1 1/4 (32)	1 1/4 (32)
<i>Floor Drain must be located within 24 inches of Waste Outlet.</i>				
<b>Refrigeration Outlet</b>				
(G) Back of case to center of refrigeration outlet	29 (737)	29 (737)	29 (737)	29 (737)
End of case to center of refrigeration outlet	8 1/2 (216)	8 1/2 (216)	8 1/2 (216)	8 1/2 (216)

# Engineering Plan View

**Insight IDD5SU**  
Dairy / Deli / Beverage /  
Produce / Meat

## Waste Outlet Drain Extension Option

Dimensions shown as in. and (mm).

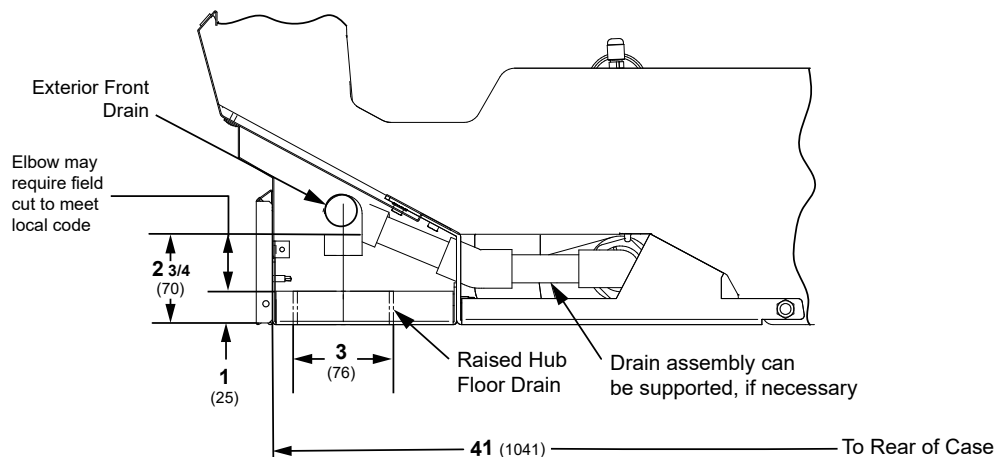


### FRONT

(12 Foot Model shown above)

	4 ft	6 ft	8 ft	12 ft
<b>Waste Outlet Drain Option</b>				
(A) RH of case to center of interior case drain	24 1/8 (613)	24 1/8 (613)	24 1/8 (613)	72 1/4 (1835)
(B) RH of case to center of exterior front drain and floor drain* *Drain extension shown piped to the right but may be either direction	13 3/4 (349)	13 3/4 (349)	13 3/4 (349)	61 7/8 (1572)
(C) Back of case to center of original waste outlet	33 1/2 (851)	33 1/2 (851)	33 1/2 (851)	33 1/2 (851)
(D) Back of case to center of relocated waste outlet (with drain extension kit)	38 1/4 (972)	38 1/4 (972)	38 1/4 (972)	38 1/4 (972)
(E) Back of case to the back of the relocated splashguard (with drain extension kit)	41 (1041)	41 (1041)	41 (1041)	41 (1041)

## Partial End View



**IMPORTANT:**  
DRAIN EXTENSION KIT REQUIRED TO PIPE MULTIPLE CASES TO ONE DRAIN OR TO USE A RAISED HUB DRAIN

**IMPORTANT:** If the hub drain is used instead of a flush floor sink, a drain extension kit must be installed. Hub drains must be located in front of the waste outlet because of the required air gap.

<b>Insight</b> <b>IDD5SU</b> Dairy / Deli / Beverage / Produce / Meat
---

## Electrical Data

<b>Number of Fans</b>	<b>4 ft</b>	<b>6 ft</b>	<b>8 ft</b>	<b>12 ft</b>
8.25-in.	1	2	2	3

<b>Evaporator Fan</b>	<b>Amperes</b>				<b>Watts</b>			
	<b>4 ft</b>	<b>6 ft</b>	<b>8 ft</b>	<b>12 ft</b>	<b>4 ft</b>	<b>6 ft</b>	<b>8 ft</b>	<b>12 ft</b>
120V 60Hz Energy Efficient	0.32	0.64	0.64	0.96	17	34	34	51
230V 50/60Hz Energy Efficient	0.17	0.33	0.33	0.50	17	34	34	51

<b>Minimum Circuit Ampacity</b>				
120V 60Hz Energy Efficient	0.52	0.84	0.84	1.16
230V 50/60Hz Energy Efficient	0.37	0.53	0.53	0.70

<b>Maximum Over Current Protection</b>				
120V	20	20	20	20
230V	15	15	15	15

## STANDARD LIGHTING

ONLY LIGHTING CONFIGURATIONS THAT ARE COMPLIANT WITH THE U.S. DEPT. OF ENERGY (DOE) 2017 REGULATION ARE AVAILABLE FOR SALE FOR USE IN THE U.S.A.

	<b>Amperes</b>				<b>Watts</b>			
	<b>4 ft</b>	<b>6 ft</b>	<b>8 ft</b>	<b>12 ft</b>	<b>4 ft</b>	<b>6 ft</b>	<b>8 ft</b>	<b>12 ft</b>
<b>LED LIGHTING</b>								
<b>EcoShine ULTRA Canopy Lights</b>								
1 Row EcoShine ULTRA	0.16	0.26	0.36	0.54	19	31	43	64
<b>EcoShine II Canopy Lights</b>								
1 Row EcoShine II	0.16	0.26	0.32	0.48	19	32	39	58
1 Row EcoShine II HO	0.22	0.33	0.44	0.66	27	40	53	79
<b>EcoShine II Shelf Lights</b>								
No shelves								
<b>Mullion</b>								
EcoShine II 48-in.	0.23	0.40	0.40	0.57	27.3	47.7	47.7	68.2
<b>Frame Anti-Condensate Heaters</b>								
(Only with EcoVision HA+ Door Option)	0.39	0.60	0.65	0.90	50.6	75.5	81.4	112.1

120V Lighting Circuit Total = Standard Lighting + Total Optional Lighting

230V Lighting Circuit Total = Multiply 120V Lighting Circuit Total by 0.52

**ENDS or PARTITIONS**

*Each standard end and each insulated partition adds 1 1/2 in. (38 mm) to case line up. Optional view end with end bumper adds 3 3/4 in. (95 mm).*

**PHYSICAL DATA**

Merchandiser Drip Pipe (in.)	1 1/4
Schedule 40 PVC	
Merchandiser Liquid Line (in.)	3/8
Merchandiser Suction Line (in.)	5/8

**ESTIMATED SHIPPING WEIGHT †**

Case	4 ft	6 ft	8 ft	12 ft	Solid End (each)
<b>lb (kg)</b>	860 (390)	1090 (494)	1320 (599)	1780 (807)	100 (45)

† Actual weights will vary according to optional kits included.

## Shelf Options

Approved shelf sizes for standard (horizontal, 2-3 position brackets) displays:

- 18-inch
- 20-inch
- 22-inch
- 24-inch

Contact engineering for non-standard (4 position brackets or other) display recommendations.

Minimum number of Shelves: 4

Optimal number of Shelves: 4

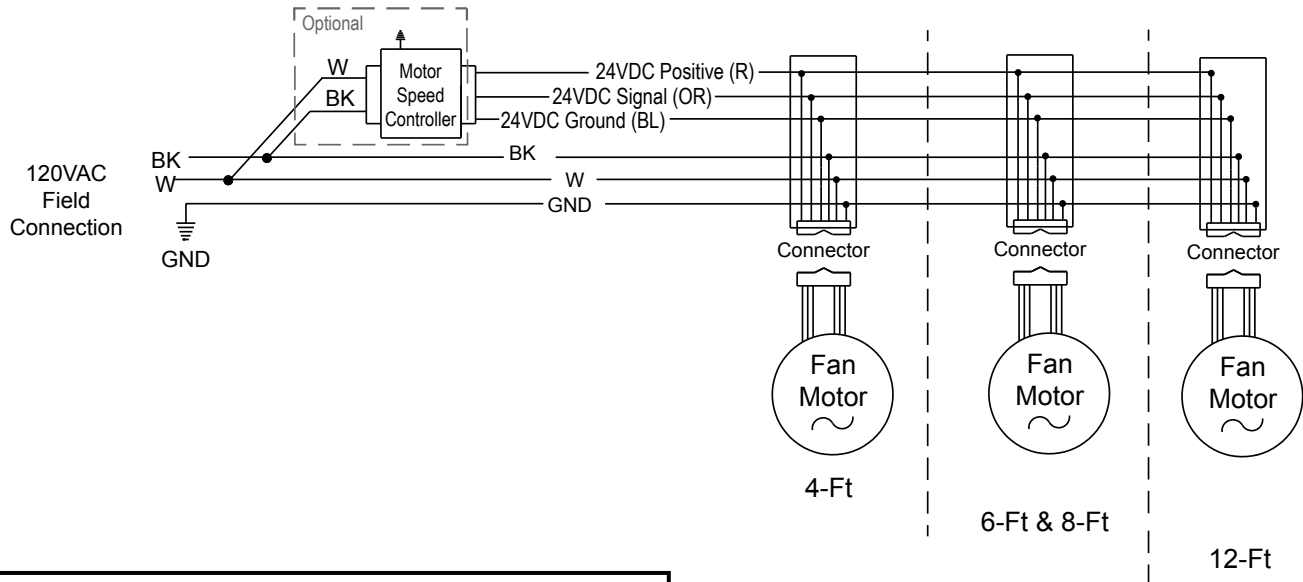
Maximum number of Shelves: 8

Maximum number of Lighted Shelves: 0

Standard shelf complement for test purposes: (4) rows of 22-in. shelves evenly distributed vertically.

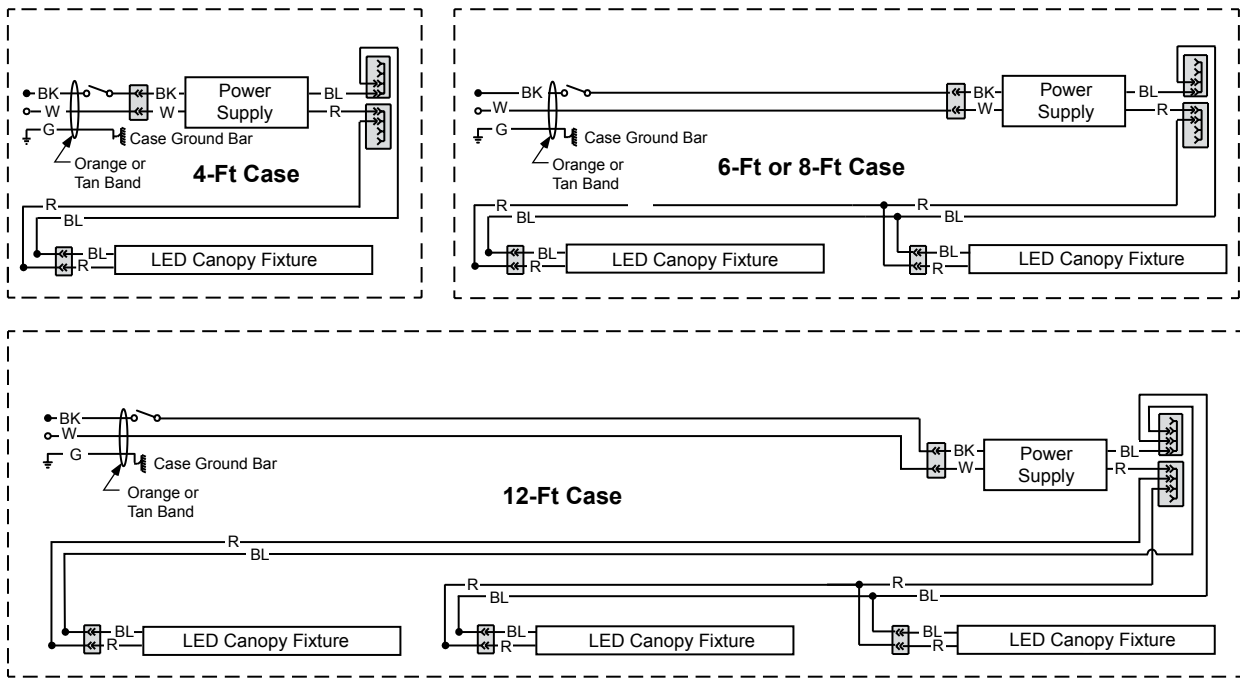
**Insight IDD5SU**  
 Dairy / Deli / Beverage /  
 Produce / Meat

**Fan Wiring**  
**Offtime Defrost**



**LED Canopy Light Circuits**

**EcoShine II LED Canopy Lighting — 1 Row**



**WARNING**

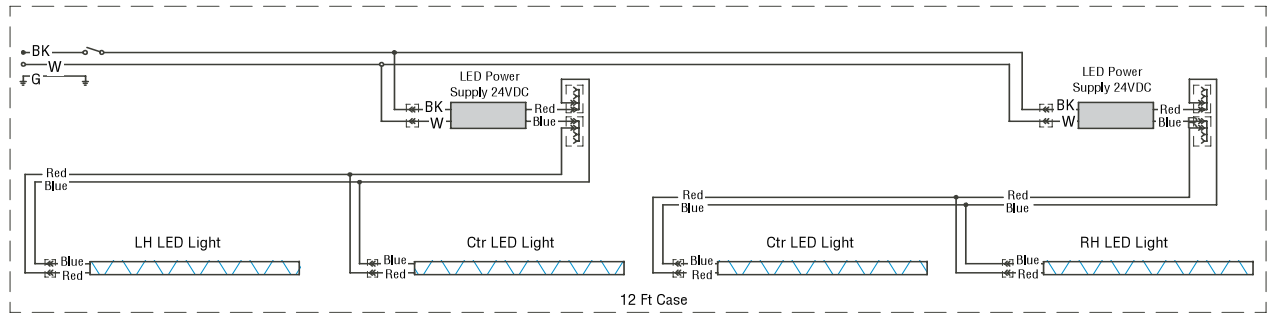
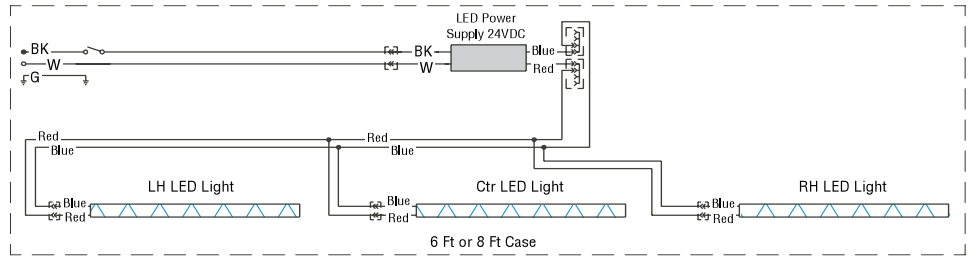
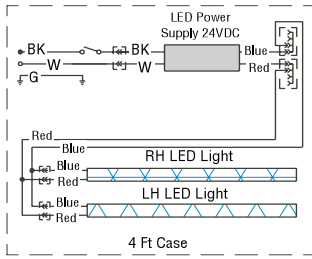
All components must have mechanical ground, and the merchandiser must be grounded.

- R = Red    Y = Yellow    G = Green    BL = Blue    BK = Black    W = White  
 ● = 120V POWER    ○ = 120V NEUTRAL    ⊥ = FIELD GROUND    mmm = CASE GROUND

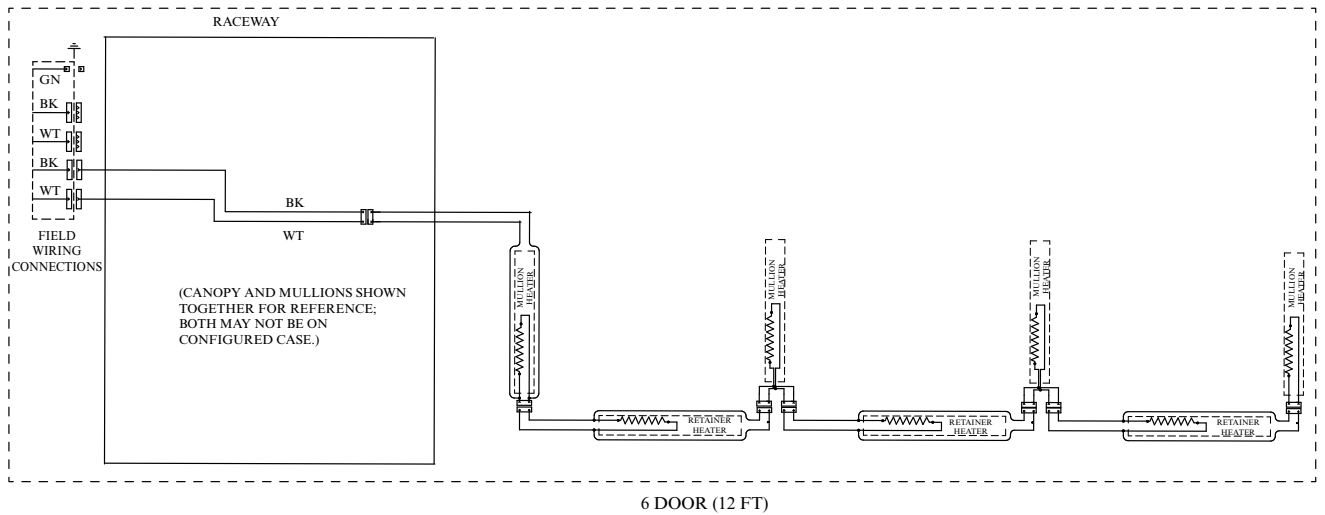


# Mullion LED Lighting

**Insight IDD5SU**  
Dairy / Deli / Beverage / Produce / Meat



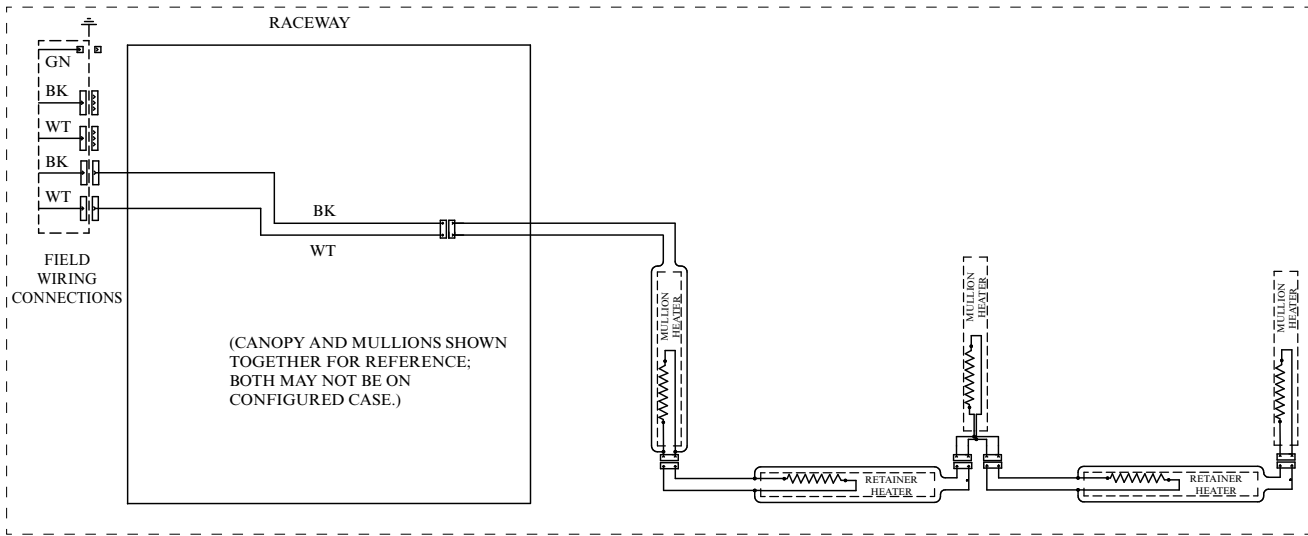
# Door Frame Heater EcoVision HA+ Only



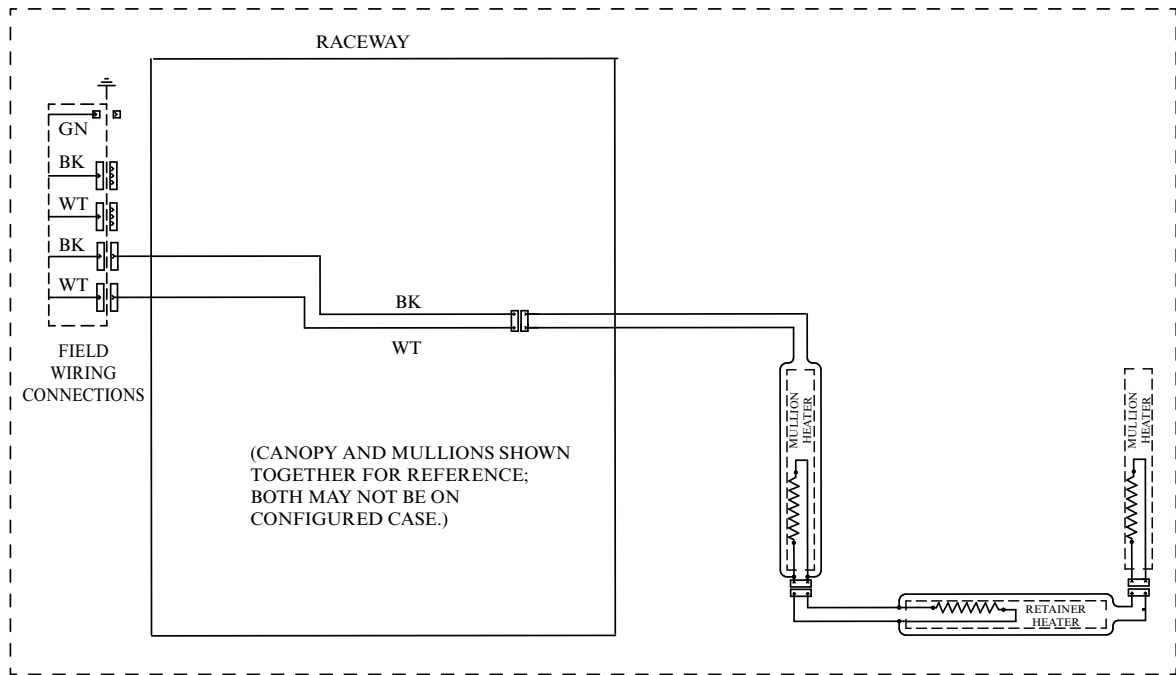
## WARNING

All components must have mechanical ground, and the merchandiser must be grounded.

R = Red    Y = Yellow    G = Green    BL = Blue    BK = Black    W = White  
 ● = 120V POWER    ○ = 120V NEUTRAL    ⊥ = FIELD GROUND    = CASE GROUND



3 DOOR / 4 DOOR (6 FT / 8 FT)



2 DOOR (4 FT)

**WARNING**

All components must have mechanical ground, and the merchandiser must be grounded.

R = Red    Y = Yellow    G = Green    BL = Blue    BK = Black    W = White  
 ● = 120V POWER    ○ = 120V NEUTRAL    ⊥ = FIELD GROUND    ▩ = CASE GROUND

## Estimating Refrigeration and Electrical Load (for comparison purposes only)

### Case Btu

To determine Btu for a case, refer to the performance data chart on Page 2. Select lit or unlit shelves, then select the type of remote refrigeration system (parallel or conventional), which will give Btu/hr/ft. Multiply this number by the length of the case to determine Btu per hour.

### Case Electrical

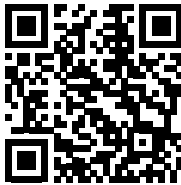
Refer to store legend to determine number of circuits. Lighting should be specified in store legend.

Fan electrical load for a case is computed by selecting the case length and fan voltage on Page 6. For example, a 12 ft case uses 3 fans. The store legend specifies fans on a 230V circuit. In this instance, fans use 0.50 Amps and the MCA is 0.70. When applied, ambient fans, anti-sweat heaters, controllers, etc. must be included in the MCA. Include lights in the MCA if lights are on same circuit.

Lights may be on a separate circuit. To estimate lighting load: select case length (12 ft), canopy lighting [standard or optional] (here 0.70 for standard), and mullion lighting [maximum for which case is wired] (0.57 for EcoShine II 48" mullion lights); then add together [0.48 + 0.57 = 1.05 amps for 120V] (for 230V, multiply 1.05 \* 0.52 = 0.55).

### Line Sizing — Refer to store legend.

Hussmann Line Sizing Charts are engineered for use with Hussmann refrigeration equipment.



Scan the QR code with your mobile device to access additional product information or order parts.

Parts may also be ordered at:

[parts.hussmann.com](http://parts.hussmann.com)

Call toll free: 1.855.487.7778

## Revision History

Revision A: January 2014: Original Issue

Revision B: October 2015: Updated cover image and updated performance data on page 2.

Revision C: December 2015: Updated cross section and plan view.

Revision D: April 2016: Updated cover image, updated application data, added Gross Refrigerated Volume and updated plan view.

Revision E: June 2016: Updated cross section.

Revision F: August 2016: Updated cross section and plan view.

Revision G: January 2017: Removed EcoShine "Plus" references.

Revision H: April 2017: Updated LED energy values.

Revision J: April 2017: Updated LED energy values.

Revision K: September 2017. Updated notes page.

Revision L: May 2018: Updated lighting information.

Revision M: July 2019. Updated parts list, drain information and lighting.