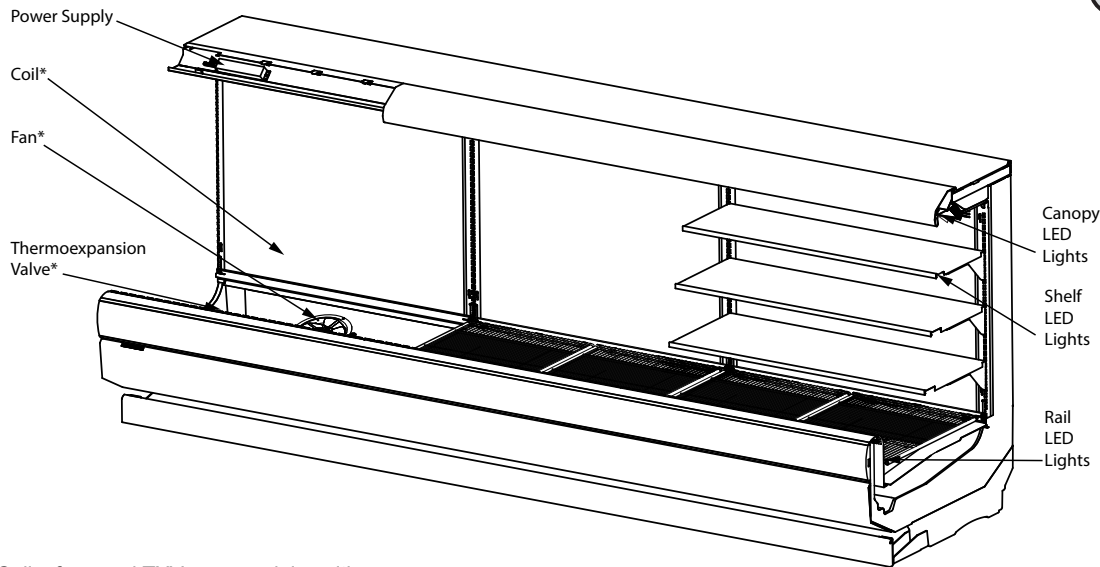


*Insight standard field electrical connections are at the bottom of the merchandiser*

**DOE 2017**  
Energy Efficiency  
Compliant



\*Coils, fans and TXVs are modular with one per 3 or 4 foot section.

Portion of parts removed for clarity.

12 foot merchandiser shown.

### NSF Certification

This merchandiser model is manufactured to meet NSF/ANSI (National Sanitation Foundation) Standard #7 requirements for construction, materials and cleanability.

Performance Data	Page 2	Estimated Shipping Weights	Page 6
Product Data (AHRI Statistics)	Page 2	Shelf Options	Page 6
Cross Section	Page 3	Replacement Parts List	Page 7
Plan View	Page 4	Wiring Diagrams	Page 8
Electrical Loads	Page 5	Computing Refrigeration and Electrical Load	Page 10
		Revision History	Page 10

### Data sheet-Insight IC2XNL

We reserve the right to change or revise specifications and product design in connection with any feature of our products. Such changes do not entitle the buyer to corresponding changes, improvements, additions or replacements for equipment previously sold or shipped.

**Refrigeration Data <sup>1</sup>**

IC2XNL		Optimal Shelf Life			Energy Comparison
Application		Dairy/Deli/ Beverage/ Produce	Convertible / Meat	NSF Type 2 Ambient <sup>3</sup>	AHRI 1200 Rating Point <sup>4</sup>
Unlit Shelves	Discharge Air °F (°C)	32 (0)	30 (-1.11)	29 (-1.66)	35 (1.66)
	Average Evaporator °F (°C) <sup>2</sup>	28 (-2.22)	26 (-3.33)	25 (-3.88)	30 (-1.11)
	Parallel Btu/hr/ft (Watts/m) <sup>5</sup>	811 (780)	850 (818)	985 (947)	790 (760)
	Conventional Btu/hr/ft (Watts/m) <sup>5</sup>	885 (851)	925 (890)	1070 (1029)	860 (827)
Lit Shelves	Discharge Air °F (°C)	31 (-0.55)	29 (-1.66)	28 (-2.22)	34 (1.11)
	Average Evaporator °F (°C) <sup>2</sup>	27 (-2.77)	25 (-3.88)	24 (-4.44)	29 (-1.66)
	Parallel Btu/hr/ft (Watts/m) <sup>5,6</sup>	825 (793)	860 (827)	995 (957)	810 (779)
	Conventional Btu/hr/ft (Watts/m) <sup>5,6</sup>	900 (865)	935 (899)	1085(1043)	875 (842)
Fan Speed <sup>7</sup>	IC2XSL6 (8.25")	1100 <sup>7</sup>	1400 <sup>7</sup>	1400 <sup>7</sup>	1100 <sup>7</sup>
	IC2XSL4, 8, 12 (8.25")	1100 <sup>7</sup>	1400 <sup>7</sup>	1400 <sup>7</sup>	1100 <sup>7</sup>

Notes:

- All data based on store temperature and humidity that does not exceed NSF Type 1 ambient conditions of 75°F and 55% relative humidity except where noted.
- Average evaporator temperature shown. Use dew point for high glide refrigerants for unit sizing. Care should be taken to use the dew point in PT tables for measuring and adjusting superheat. Adjust evaporator pressure as needed to maintain discharge air temperature shown.
- Data for operation in NSF Type 2 ambient of 80°F and 55% relative humidity.
- AHRI 1200 Rating Point for energy consumption comparison only.
- Subtract 120 Btu/hr/ft (115.4 Watts/m) for front glass (on applicable models).
- Add 10 Btu/hr/ft (9.6 Watts/m) per shelf row for LED shelf light fixtures.
- Some lengths and/or applications require optional fan speed control kits applied by the Hussmann Product Configurator.

**Defrost Data**

<b>Frequency</b> (hours between defrost)	4
<b>Defrost Water</b> <sup>8</sup>	6.5 lb/ft/day (9.7 kg/m)
<sup>8</sup> (± 15% based on case configuration and product loading).	
<b>OFFTIME</b>	<b>IC2XNL</b>
<b>Time (minutes)</b>	20
<b>ELECTRIC OR GAS</b>	Not Available

**Conventional Controls**

<b>IC2XNL</b>
<b>Low Pressure Backup Control CI/CO</b> <sup>9</sup>
20°F / 10°F -6.7°C / -12.2°C
<b>Indoor Unit Only, Pressure Defrost Termination</b> <sup>9</sup>
48°F (8.9°C)

<sup>9</sup> Use a Temperature Pressure Chart to determine PSIG conversions.

**Estimated Charge <sup>10</sup> IC2XNL**

<b>4 ft</b>	0.6 lb	9.6 oz	0.3 kg
<b>6 ft</b>	1.1 lb	17.6 oz	0.5 kg
<b>8 ft</b>	1.5 lb	24 oz	0.7 kg
<b>12 ft</b>	2.9 lb	46.4 oz	1.3 kg

<sup>10</sup> This is an average for all refrigerant types. Actual refrigerant charge may vary by approximately half a pound.

**Product Data**

<b>Gross Refrigerated Volume</b> <sup>11</sup> (Cu Ft/Ft)	4.1 ft <sup>3</sup> /ft (0.38 m <sup>3</sup> /m)
<b>AHRI Total Display Area</b> <sup>12</sup> (Sq Ft/Ft)	2.98 ft <sup>2</sup> /ft (0.91 m <sup>2</sup> /m)
<b>Shelf Area</b> <sup>13</sup> (Sq Ft/Ft)	5.93 ft <sup>2</sup> /ft (1.81 m <sup>2</sup> /m)

<sup>11</sup> AHRI Gross Refrigerated Volume: Refrigerated Volume/Unit of Length, ft<sup>3</sup>/ft [m<sup>3</sup>/m]

<sup>12</sup> Computed using AHRI 1200 standard methodology: Total Display Area, ft<sup>2</sup> [m<sup>2</sup>]/Unit of Length, ft [m]

<sup>13</sup> Shelf surface area is composed of bottom deck plus standard shelf complement for this model: (3) rows of shelves: 12-in., 16-in., 18-in.

Insight Multideck Merchandiser, Convertible,  
2 Display Levels, Extra Tall, Narrow Bottom,  
Low Height Front

**Insight IC2XNL**  
Dairy / Delicatessen / Meat

**DOE 2017**  
Energy Efficiency  
Compliant

Husmann refrigerated merchandisers configured for sale for use in the United States meet or surpass the requirements of the DOE 2017 energy efficiency standards.

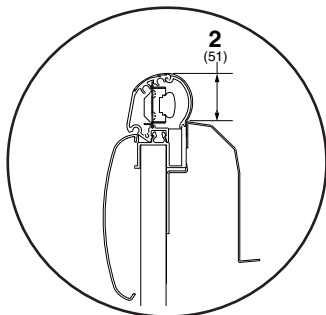
Dimensions shown as in. and (mm).

Shelf complement shown as tested:  
  
Three rows of shelves (12-in., 16-in., 18-in.) spaced equally between bottom display pan and interior top panel.

**IC2XNL**

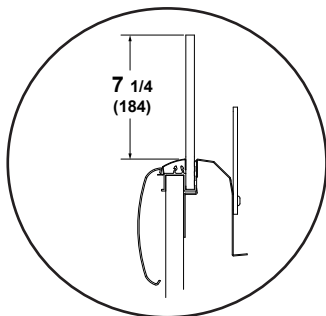
3 -in. between back to back cases.

**OPTIONAL RAIL LIGHT**

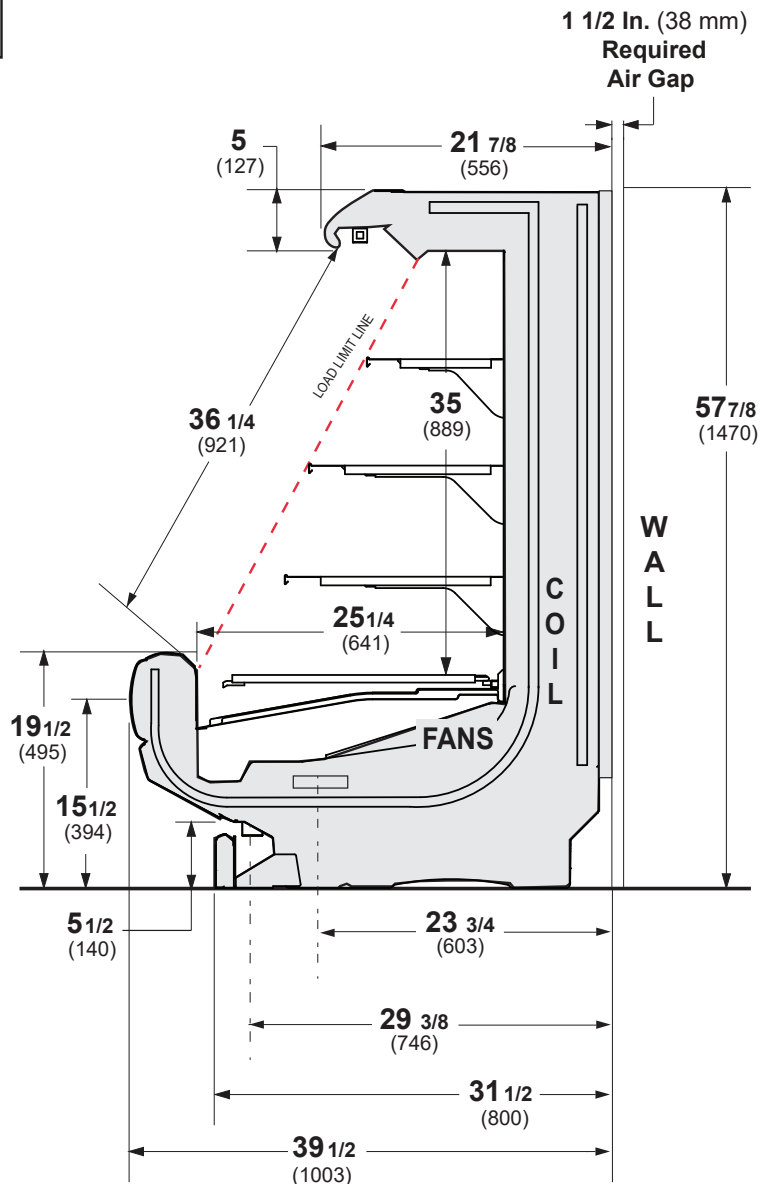


*Rail light cannot be used with glass front option.*

**OPTIONAL GLASS FRONT**



*Glass front cannot be used with rail light option.*



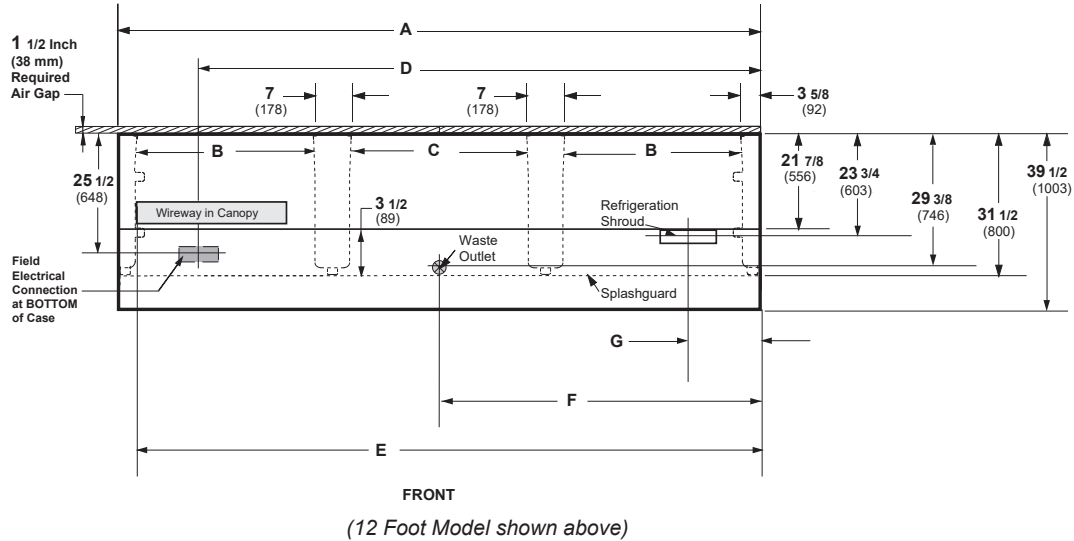
**NSF Certification**

This merchandiser model is manufactured to meet NSF/ANSI (National Sanitation Foundation) Standard #7 requirements for construction, materials and cleanability.

# Engineering Plan View

Dimensions shown as in. and (mm).

## IC2NL/IC2XNL



	4 ft	6 ft	8 ft	12 ft
<b>General</b>				
(A) Case Length (without ends or partitions) (Each end and insulated partition adds 1 1/2 in. (38 mm) to case line up.)	48 1/8 (1222)	72 1/4 (1835)	96 1/4 (2445)	144 3/8 (3668)
Maximum O/S dimension of case back to front (includes bumper)	39 1/2 (1003)	39 1/2 (1003)	39 1/2 (1003)	39 1/2 (1003)
Back of case to front of splashguard	31 1/2 (800)	31 1/2 (800)	31 1/2 (800)	31 1/2 (800)
(B) Distance between edges of external legs and center legs	NA	29 (737)	41 (1041)	41 (1041)
(C) Distance between edges of center legs	41 1/8 (1045)	NA	NA	41 1/8 (1045)
Distance between front legs and splashguard	3 1/4 (83)	3 1/4 (83)	3 1/4 (83)	3 1/4 (83)
<b>Electrical Service (Field Electrical Wiring Connection)</b>				
(D) RH End of case to center of Field Electrical Wiring Connection (bottom of case)	30 3/8 (772)	54 3/8 (1381)	78 1/2 (1994)	126 5/8 (3216)
Back of case to center of Field Electrical Wiring Connection	25 1/2 (648)	25 1/2 (648)	25 1/2 (648)	25 1/2 (648)
Length of electrical wireway	32 1/2 (826)	22 1/2 (572)	32 1/2 (826)	32 1/2 (826)
(E) RH end of case to LH end of electrical wireway (bottom of case)	44 1/8 (1121)	68 1/4 (1734)	92 1/4 (2343)	140 1/2 (3569)
<b>Waste Outlets</b>				
(F) RH End of case to the center of waste outlet	24 1/8 (613)	24 1/8 (613)	24 1/8 (613)	72 1/4 (1835)
Back O/S of case to center of waste outlet(s)	28 5/8 (727)	28 5/8 (727)	28 5/8 (727)	28 5/8 (727)
Schedule 40 PVC drip pipe	1 1/4 (32)	1 1/4 (32)	1 1/4 (32)	1 1/4 (32)
<b>Refrigeration Shroud</b>				
(G) Back of case to center of refrigeration shroud	22 7/8 (581)	21 1/8 (537)*	22 7/8 (581)	22 7/8 (581)
End of case to center of refrigeration shroud	9 1/2 (241)	7 5/8 (194)*	9 1/2 (241)	9 1/2 (241)
*6 ft case at a 42° angle parallel to the plenum				

## Electrical Data

<b>Number of Fans</b>	<b>4 ft</b>	<b>6 ft</b>	<b>8 ft</b>	<b>12 ft</b>
8.25-in.	1	2	2	3

<b>Evaporator Fan</b>	<b>Amperes</b>				<b>Watts</b>			
	<b>4 ft</b>	<b>6 ft</b>	<b>8 ft</b>	<b>12 ft</b>	<b>4 ft</b>	<b>6 ft</b>	<b>8 ft</b>	<b>12 ft</b>
120V 60Hz Energy Efficient	0.25	0.50	0.50	0.75	16	32	32	48
230V 50/60Hz Energy Efficient	0.13	0.26	0.26	0.39	16	32	32	48

### Minimum Circuit Ampacity

120V 60Hz Energy Efficient	0.45	0.70	0.70	0.95
230V 50/60Hz Energy Efficient	0.33	0.46	0.46	0.59

### Maximum Over Current Protection

120V	20	20	20	20
230V	15	15	15	15

## Lighting

ONLY LIGHTING CONFIGURATIONS THAT ARE COMPLIANT WITH THE U.S. DEPT. OF ENERGY (DOE) 2017 REGULATION ARE AVAILABLE FOR SALE FOR USE IN THE U.S.A.

	<b>Amperes</b>				<b>Watts</b>			
	<b>4 ft</b>	<b>6 ft</b>	<b>8 ft</b>	<b>12 ft</b>	<b>4 ft</b>	<b>6 ft</b>	<b>8 ft</b>	<b>12 ft</b>
<b>STANDARD LIGHTING</b>								
<b>EcoShine II Canopy</b>								
1 Row EcoShine II	0.16	0.26	0.32	0.48	19.3	31.6	38.6	58.0
<b>OPTIONAL LIGHTING</b>								
<b>EcoShine II Canopy</b>								
1 Row EcoShine II HO	0.22	0.33	0.44	0.66	26.5	39.5	53.0	79.4
<b>EcoShine II Shelf</b>								
1 Row of Shelves	0.08	0.12	0.16	0.25	9.9	14.1	19.8	29.7
2 Rows of Shelves	0.16	0.23	0.33	0.49	19.8	28.2	39.5	59.3
3 Rows of Shelves	0.25	0.35	0.49	0.74	29.7	42.3	59.3	89.0
<b>EcoShine II Rail Light</b>								
1 Row	0.08	0.12	0.16	0.25	9.9	14.1	19.8	29.7

120V Lighting Circuit Total = Standard Lighting + Total Optional Lighting + Optional Shelf Lighting

230V Lighting Circuit Total = Multiply 120V Lighting Circuit Total by 0.52

**Insight IC2XNL**  
**Dairy / Delicatessen / Meat**

**ENDS or PARTITIONS**

*Each standard end and each insulated partition adds 1 1/2 in. (38 mm) to case line up. Optional view end with end bumper adds 3 3/4 in. (95 mm).*

**PHYSICAL DATA**

Merchandiser Drip Pipe (in.)	1 1/4
Schedule 40 PVC	
Merchandiser Liquid Line (in.)	3/8
Merchandiser Suction Line (in.)	5/8

**ESTIMATED SHIPPING WEIGHT †**

Case	4 ft	6 ft	8 ft	12 ft	Solid End (each)
lb (kg)	600 (272)	800 (363)	1000 (454)	1200 (544)	75 (34)

† Actual weights will vary according to optional kits included.

## Shelf Options

Approved shelf sizes for standard (horizontal, 2-3 position brackets) displays:

- 12-inch
- 16-inch
- 14-inch
- 18-inch
- 20-inch

Contact engineering for non-standard (4 position brackets or other) display recommendations.

Minimum number of Shelves: 2

Optimal number of Shelves: 3

Maximum number of Shelves: 3

Maximum number of Lighted Shelves: 3

Standard shelf complement for test purposes: (3) rows of shelves (12-in., 16-in., 18-in.) evenly distributed vertically.

## Replacement Parts List

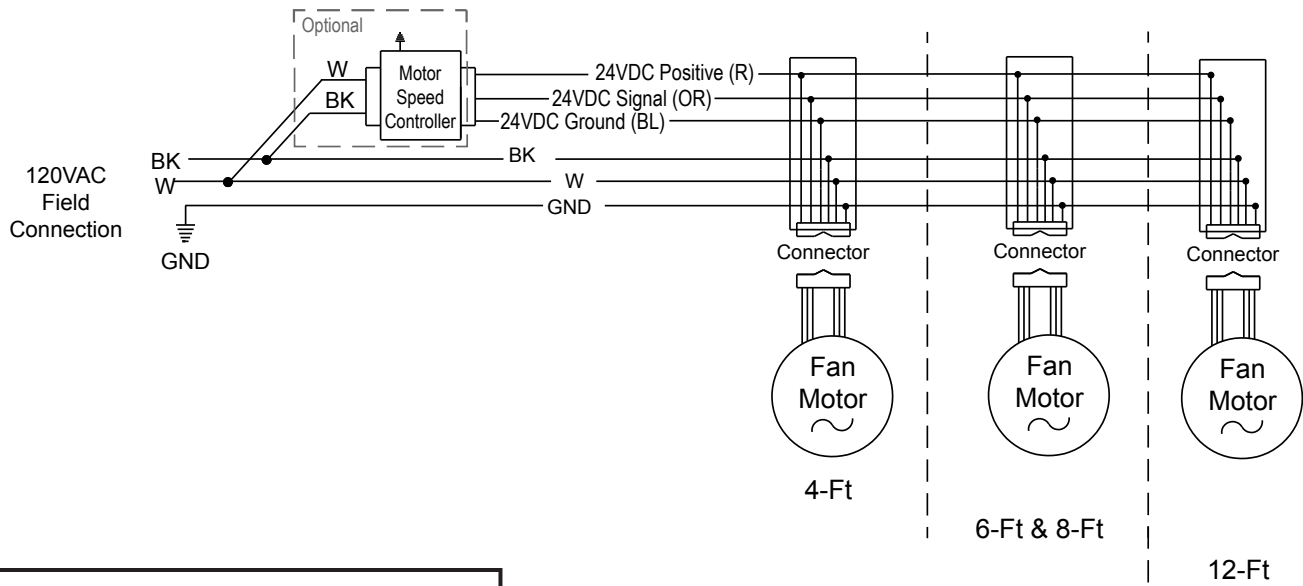
Part #	Description	Part #	Description
<b>FAN ASSEMBLIES</b>		<b>COILS</b>	
<b>Standard HE Fan Assembly</b>		0534323	4 ft, 8 ft, 12 ft
<b>4 Ft, 6ft, 8 Ft &amp; 12 Ft</b>		0534222	6 ft only
0535563	8.25-in. Fan Assembly	<b>HONEYCOMB - WHITE</b>	
0534013	Fan Speed Controller (6 ft only)	0538222	4 ft, 8 ft, 12 ft
<b>FAN SPEED KEY</b>		0538221	6 ft only
0534353	1100 RPM	<b>THERMO-EXPANSION VALVE</b>	
0534359	1400 RPM	Pre-set Adjustable	
<b>THERMOSTATS</b>		Varies with Refrigerant and Size	
<b>OPTIONAL</b>			
<b>LED FIXTURES AND POWER SUPPLY</b>			
0501213	Power Supply		
	LED Canopy Fixture		
	<i>Replace with like fixtures.</i>		
	LED Shelf Fixture		
	<i>Replace with like fixtures.</i>		
	LED Rail Fixture		
	<i>Replace with like fixtures.</i>		

**NOTE: For LED lighting parts contact your Hussmann service representative at 1-800-922-1919. Please have your model and serial number available. Descriptions including size and color are at [HTTP://WWW.HUSSMANN.COM/EN/PRODUCTS/LED-LIGHTING/PAGES/DEFAULT.ASPX](http://www.hussmann.com/en/products/led-lighting/pages/default.aspx).**

**FOR ADDITIONAL PARTS INFORMATION, VISIT [HTTP://WWW.HUSSMANN.COM/EN/PAGES/AFTERMARKET-PARTS.ASPX](http://www.hussmann.com/en/pages/aftermarket-parts.aspx)**

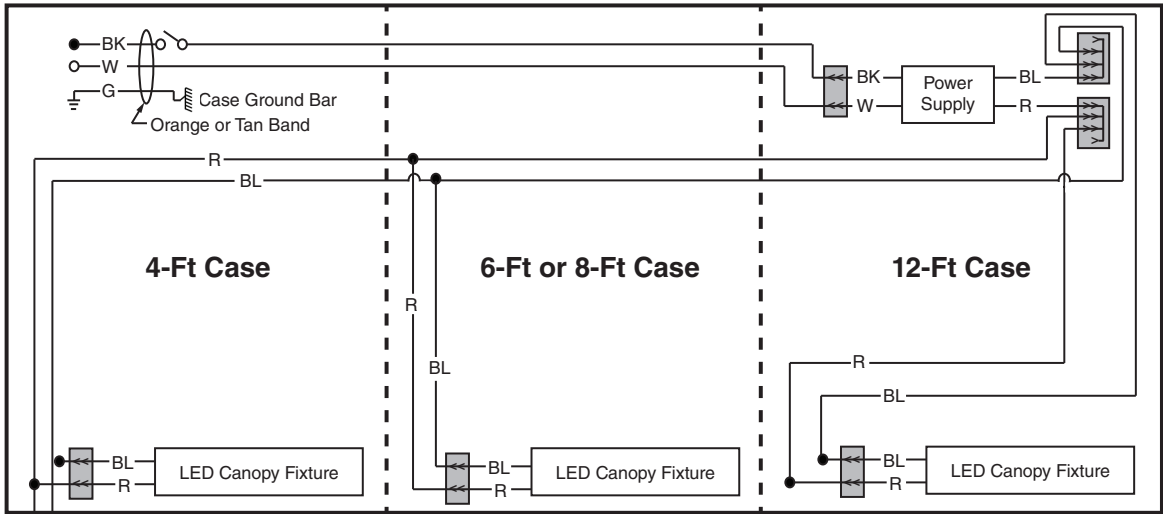
**Insight IC2XNL**  
Dairy / Delicatessen / Meat

**Fan Wiring**  
Offtime Defrost

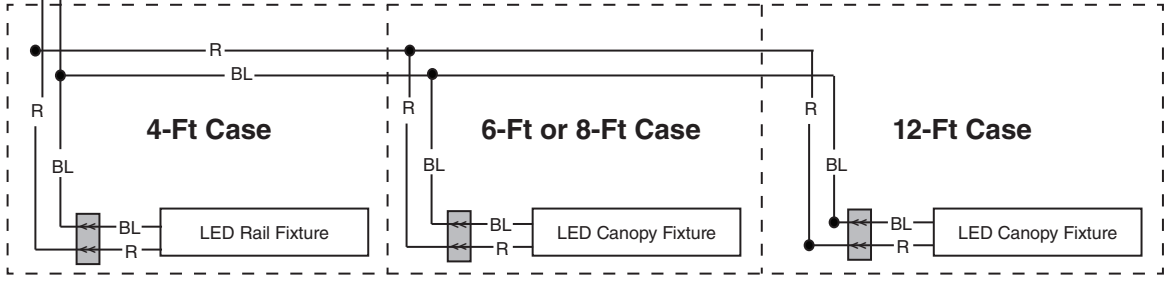


**Canopy LED Light Circuits**

**EcoShine II LED Canopy Lighting - 1 Row**



**Optional Lighting - EcoShine II LED Rail - 1 Row**



**WARNING**

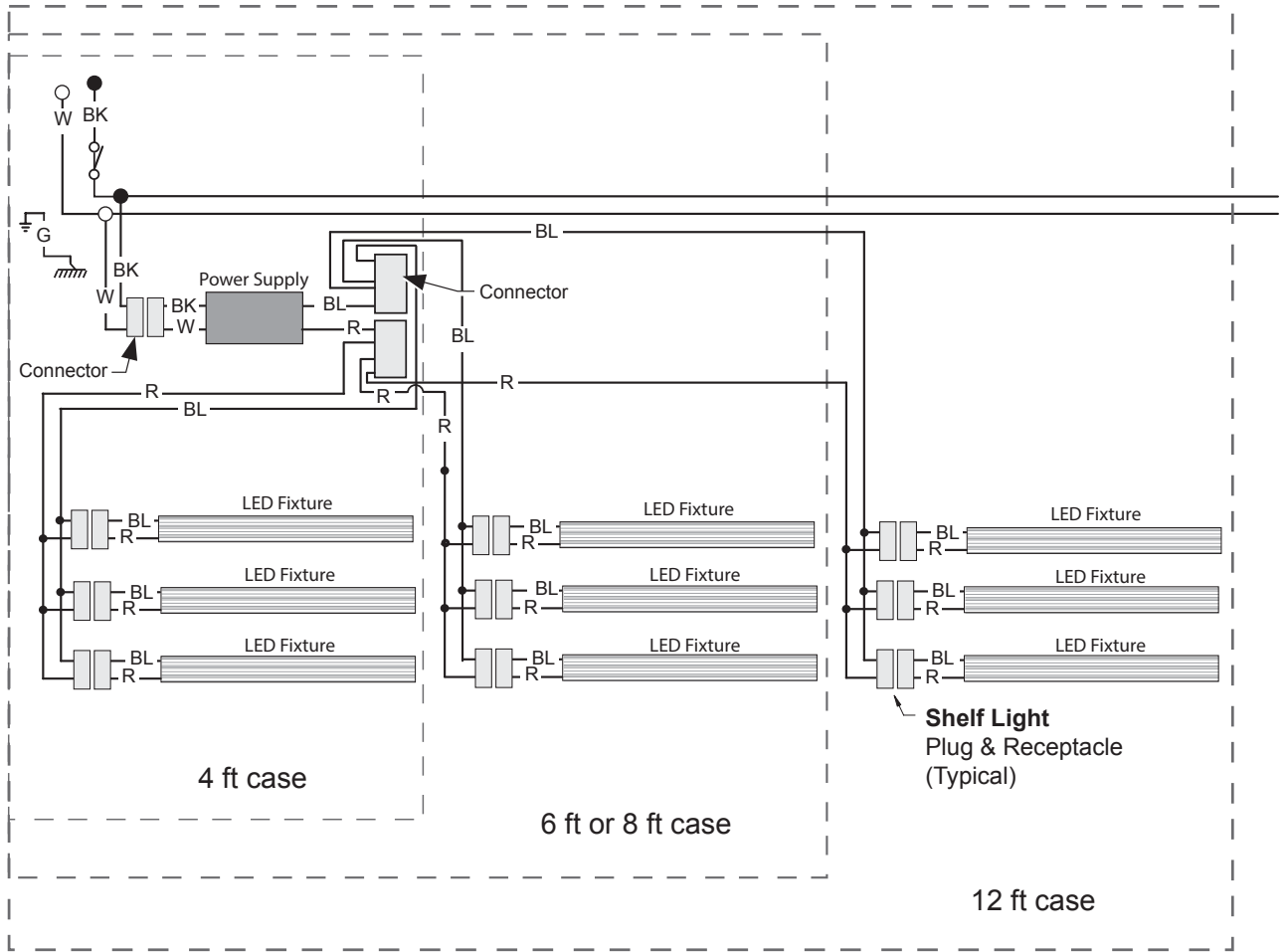
All components must have mechanical ground, and the merchandiser must be grounded.

R = Red   Y = Yellow   G = Green   BL = Blue   BK = Black   W = White  
 ● = 120V POWER   ○ = 120V NEUTRAL   ⚡ = FIELD GROUND   = CASE GROUND



**Optional Shelf Lighting — LED Fixtures**

**Optional Shelf Harness and LED Light Circuits for up to 3 Rows of Lighted Shelves**



**WARNING**

All components must have mechanical ground, and the merchandiser must be grounded.

R = Red    Y = Yellow    G = Green    BL = Blue    BK = Black    W = White  
 ● = 120V POWER    ○ = 120V NEUTRAL    ⏚ = FIELD GROUND    ⏏ = CASE GROUND

## Estimating Refrigeration and Electrical Load (for comparison purposes only)

### Case Btu

To determine Btu for a case, refer to the performance data chart on page 2. Select lit or unlit shelves, then select the type of remote refrigeration system (parallel or conventional), which will give Btu/hr/ft. Multiply this number by the length of the case to determine Btu per hour.

### Case Electrical

Refer to store legend to determine number of circuits. Lighting should be specified in store legend.

Fan electrical load for a case is computed by selecting the case length and fan voltage on page 6. For example, a 12 ft case uses 3 fans. The store legend specifies fans on a 230V circuit. In this instance, fans use 0.39 Amps and the MCA is 0.59. When applied, ambient fans, anti-sweat heaters, controllers, etc. must be included in the MCA. Include lights in the MCA if lights are on same circuit.

Lights may be on a separate circuit. To estimate lighting load: select case length (12 ft), canopy lighting [standard or optional] (here 0.70 for standard), and shelf or rail lighting [maximum for which case is wired] (0.74 for three shelves); then add together [0.48 + 0.74 = 1.22 amps for 120V] (for 230V, multiply 1.22 \* 0.52 = 0.63).

### Line Sizing — Refer to store legend.

Hussmann Line Sizing Charts are engineered for use with Hussmann refrigeration equipment.



Scan QR code to  
access product  
information on your  
mobile device.

---

## Revision History

Revision A: March 2014: Original Issue

Revision B: December 2015: Updated cross section and plan view.

Revision C: April 2016: Updated cover image, updated application data, added Gross Refrigerated Volume, added optional glass front kit and updated plan view.

Revision D: August 2016: Updated cross section and plan view.

Revision E: January 2017: Added rail light updates.

Revision F: April 2017. Updated LED energy values.

Revision G: April 2017. Updated LED energy values.

Revision H: September 2017. Updated notes page.

Revision J: March 2018. Updated cross section and plan view.