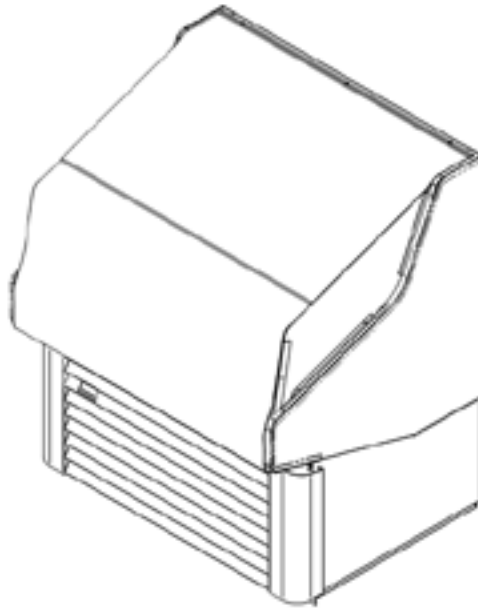


# HUSSMANN®

## ***SHM*** ***Night Curtain***



SHM  
Night Curtain

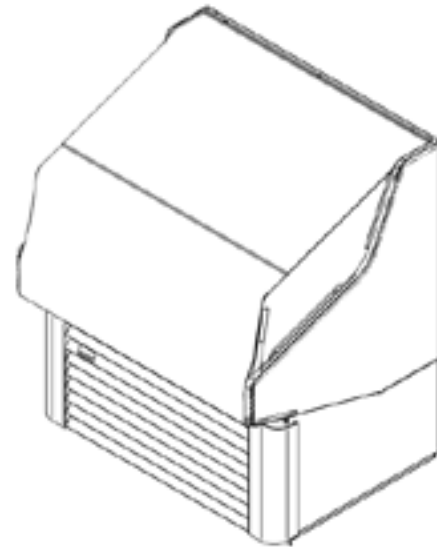
## ***Kit Installation***

**P/N 0548518**  
October 2014

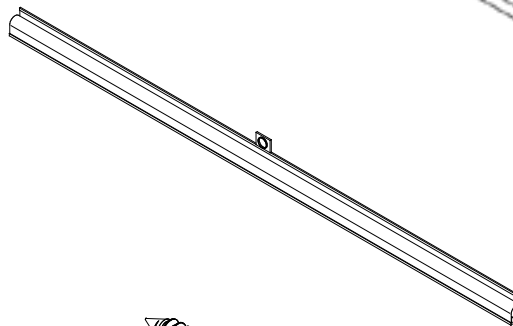
# SHM Night Curtain Installation

PARTS LIST ( per curtain )

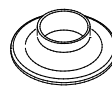
Item	Quantity	Description
1.	1	Night Curtain



2.	3	Screw Phil Pan ( #8 X
----	---	-----------------------



3.	1	Clip bottom
----	---	-------------



**IMPORTANT**  
**KEEP IN STORE FOR FUTURE REFERENCE**  
*Quality that sets industry standards!*

**HUSSMANN®**

12999 St. Charles Rock Road • Bridgeton, MO 63044-2483

U.S. & Canada 1-800-922-1919 • Mexico 01-800-890-2900

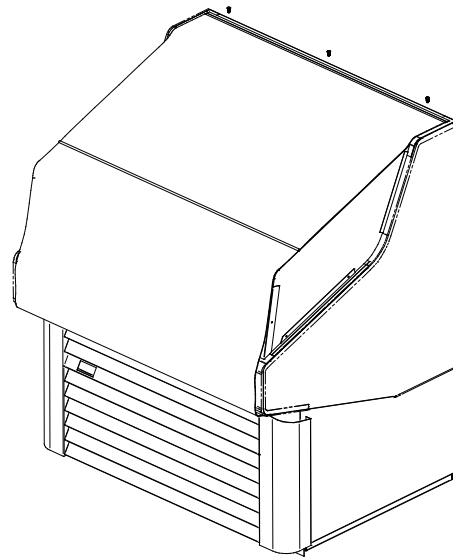
[www.hussmann.com](http://www.hussmann.com)

© 2014 Hussmann Corporation

**Notes:** Night curtains are intended to reduce energy use outside normal business hours.

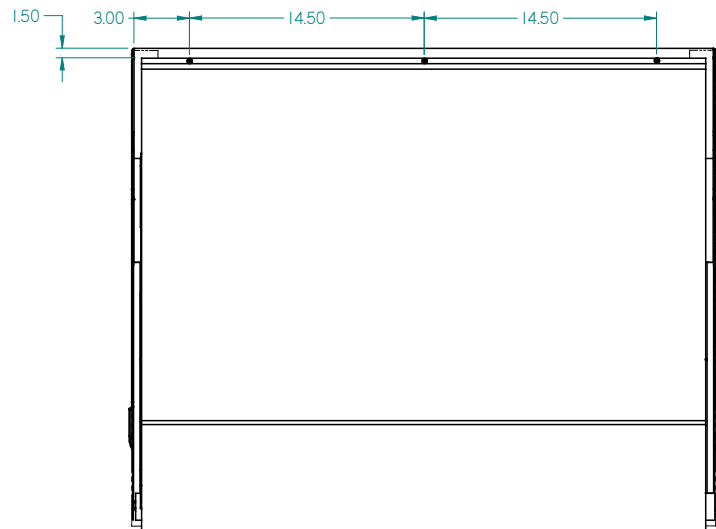
Carefully unpack and inspect the night curtain and components to ensure there is no breakage or damage, and there are no missing parts.

Be sure cases have been positioned and leveled according to installation instructions. Install night curtains after all cases are joined, and splashguards and bumpers are installed.



1. Put night curtain on top panel, one end of the will use to curtain to fasten screw. Take a distance 1.50 inches to edge part end night curtain. And center night curtain to length case.

2. Use 3 Screw, Phil Pan, #8 X ½"





3. Put clip in bottom, take to reference access panel 2.00 inches

