

HUSSMANN®

SM Signage



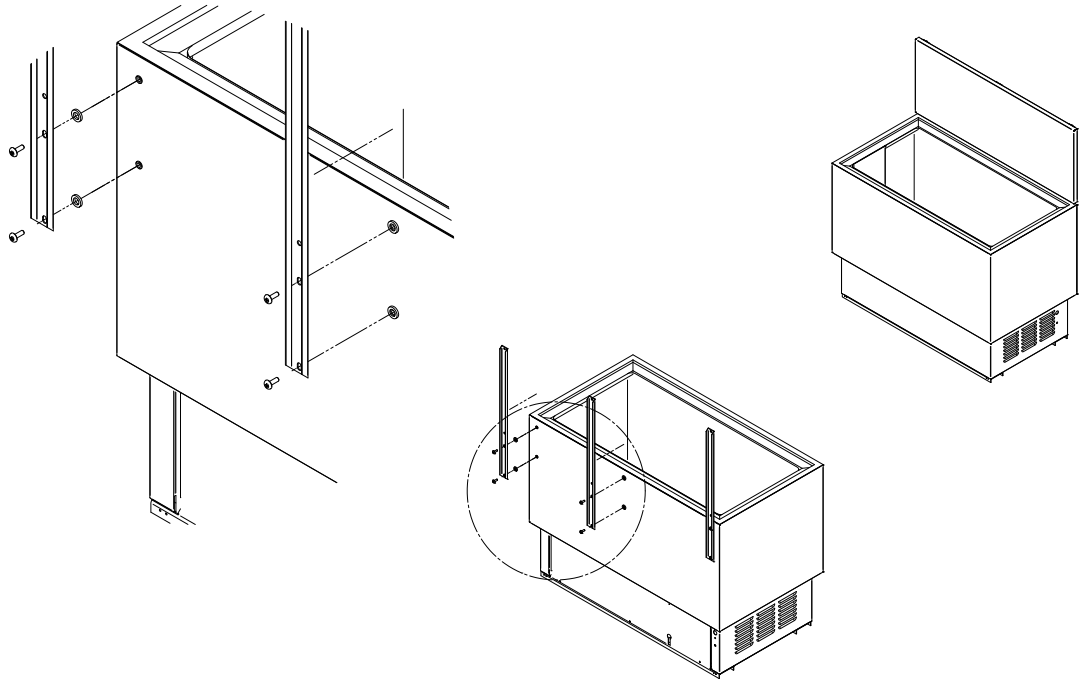
KITS USED IN THESE INSTRUCTIONS ARE:

QG81, QG82, QG83, QG84

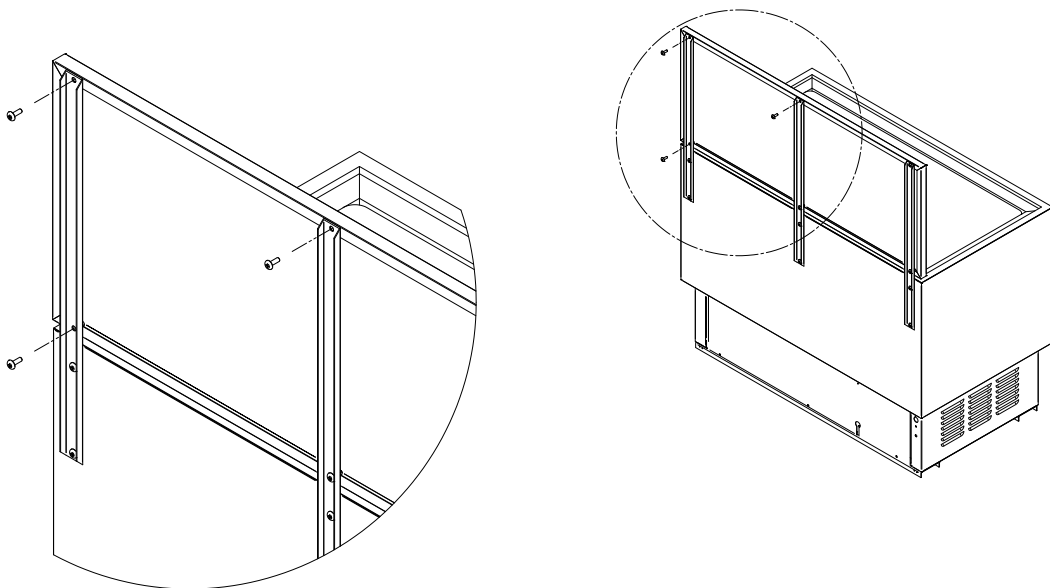
Kit Installation

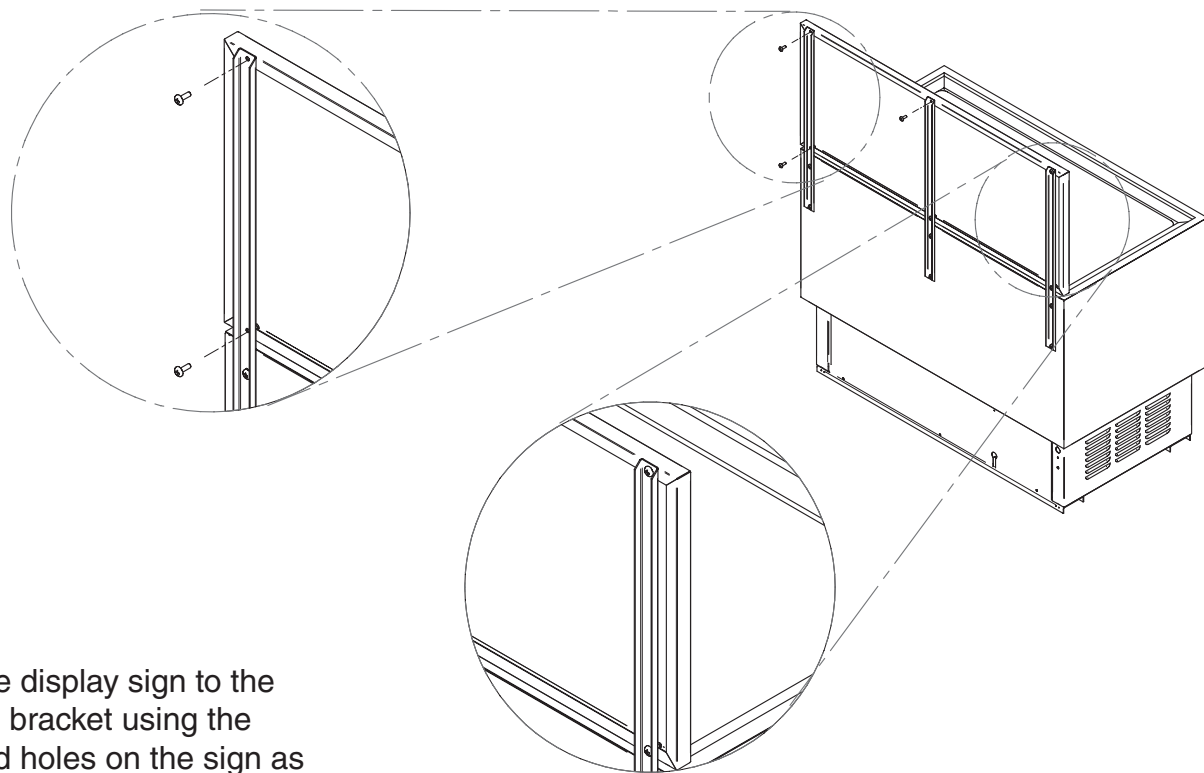
P/N 0550480_A
February 2015

Signage Installation



Attach the display sign's mounting brackets to the back of the case using pre-drilled holes. Insert the washers between the brackets and the case. Fasten screws.





Attach the display sign to the mounting bracket using the pre-drilled holes on the sign as shown. Fasten with screws.

There are 2 brackets and 4 screws for Model SM075 and SM090.

There are 3 brackets and 6 screws for Model SM110 and SM115.

IMPORTANT
KEEP IN STORE FOR FUTURE REFERENCE
Quality that sets industry standards!