

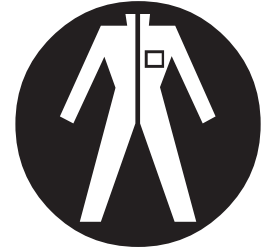
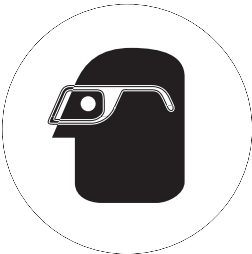


BEFORE YOU BEGIN
Read these instructions completely and carefully.






PERSONAL PROTECTION EQUIPMENT (PPE)


Personal Protection Equipment (PPE) is required whenever servicing this equipment. Always wear safety glasses, gloves, protective boots or shoes, long pants, and a long-sleeve shirt when working with this equipment.



ANSI Z535.5 DEFINITIONS

-  • **DANGER** – Indicate[s] a hazardous situation which, if not avoided, will result in death or serious injury.
-  • **WARNING** – Indicate[s] a hazardous situation which, if not avoided, could result in death or serious injury.
-  • **CAUTION** – Indicate[s] a hazardous situation which, if not avoided, could result in minor or moderate injury.

• **NOTICE** – *Not related to personal injury* – Indicates[s] situations, which if not avoided, could result in damage to equipment.

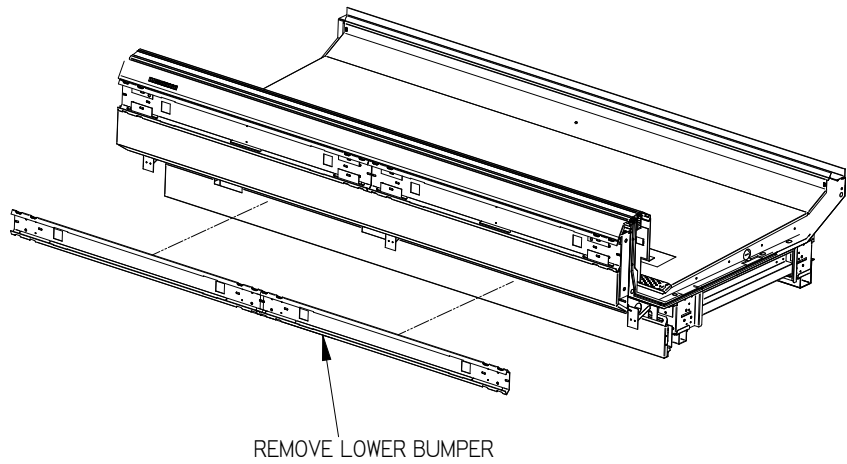
 **WARNING**

Always disconnect the electrical power at the main disconnect when servicing or replacing any electrical component. This includes, but is not limited to, such items as fans, heaters, thermostats and lights.

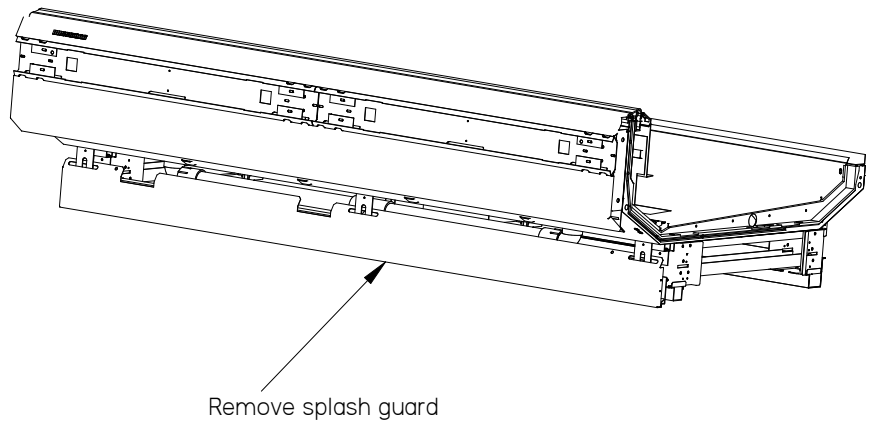
P/N 0554377_A
July 2015

CONTROLLER BOX SERVICE INSTRUCTION AND DRAIN REMOVAL REVISION A

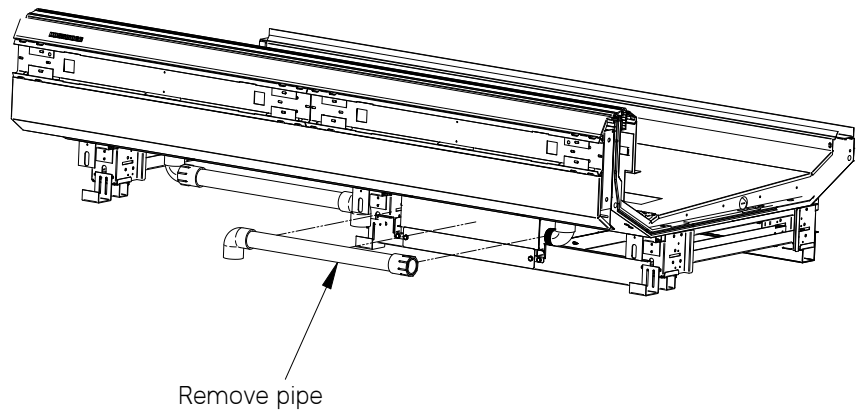
1. Remove the Bumper and Bumper Retainer.



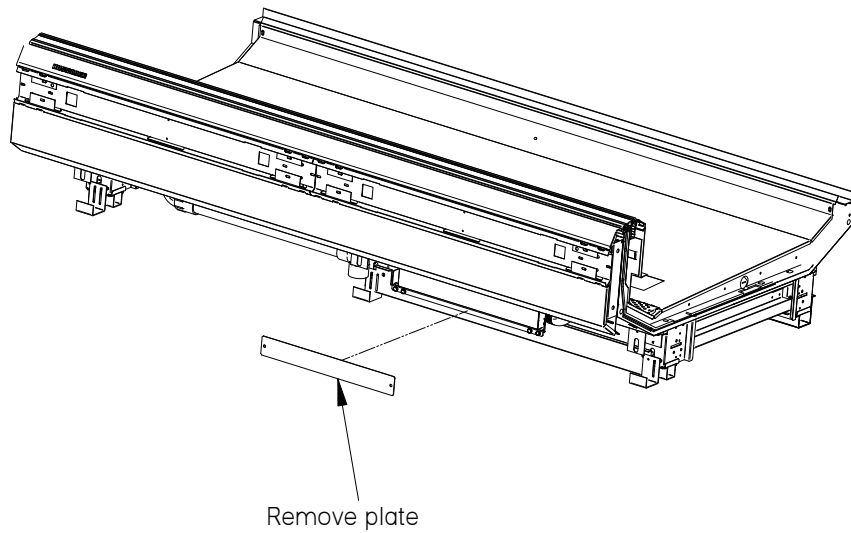
2. Remove the Splashguard.



3. Remove drain piping.



4. Remove Plate to access
Controller Service Box.



5. Service Box slides out.

