

HUSSMANN®



INNOVATOR RIM DOOR SYSTEM FOR WALK-IN COOLERS

IWL—75R

IWM—75R

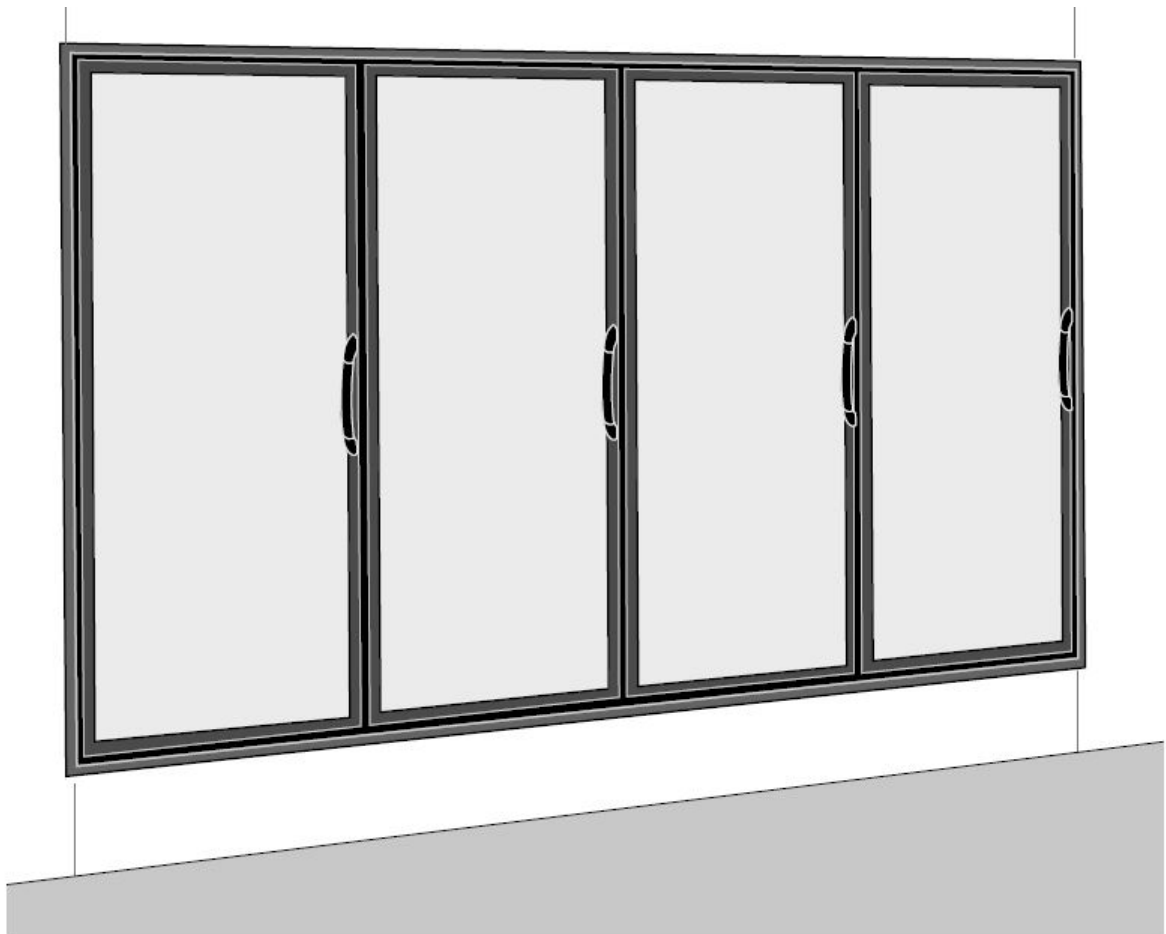
Technical Data Sheet

P/N 2402442_D

August 2018

IWL2475R- IWM2475R

IWL3075R- IWM3075R



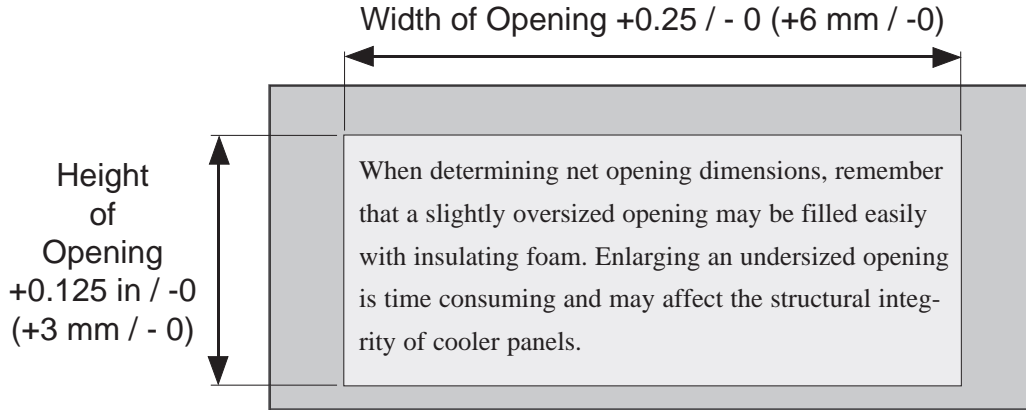
One to Five Doors per Frame, Left or Right Hinge

NOTE:
Revision D: Updated California Warning Update

IWL—75R
IWM—75R
Innovator Door and Frame

Innovator Doors are designed for use in areas where temperature does not exceed 75°F (24°C) and relative humidity does not exceed 55%.

Net Opening Width (from formula on page 3) +0.25 / - 0



Product Code

Innovator Product Family _____ I W X X X X X X - X X X
 Walk-In Cooler _____
 Temperature Application _____
 L = Low
 M = Medium
 Nominal Door Width (inches) _____
 Nominal Frame Height (inches) _____
 Frame Material _____
 R = RIM Injection Molded
 A = Aluminum
 Number of Openings in Frame _____
 Letter and Number designations used for color and trim options _____

Frame Dimensions — to be used in formula on Page 3

<i>Width</i>	IWL2475 or IWM2475		IWL3075 or IWM3075	
	In.	mm.	In.	mm.
1 Door	24.769	629	31.500	800
2 Doors	48.438	1231	61.938	1574
3 Doors	72.130	1833	92.375	2347
4 Doors	95.813	2434	122.813	3120
5 Doors	119.500	3036	153.250	3893

<i>Height</i>	IWL2475 or IWM2475		IWL3075 or IWM3075	
	In.	mm.	In.	mm.
	75.125	1908	75.125	1908





NET OPENING WIDTH FORMULA
FOR 1 TO 4 FRAMES WITH 1 TO 5 DOORS PER FRAME
Consult cooler wall manufacturer to determine the maximum number of continuous doors allowed in a lineup between mullion supports.

Formula to Determine Minimum Net Opening for a One Frame Assembly

Clearance LH	+	Frame Width	+	Clearance RH	=	NET OPENING
0.188				0.188		
		Frame 1				

Formula to Determine Minimum Net Opening for a Continuous Run of Doors with No Mullions Between Frames – Two Frame Assembly

Clearance LH	+	Frame Width	+	Join	+	Frame Width	+	Clearance RH	=	NET OPENING
0.188				0.125				0.188		
		Frame 1				Frame 2				

Formula to Determine Minimum Net Opening for a Continuous Run of Doors with No Mullions Between Frames – Three Frame Assembly

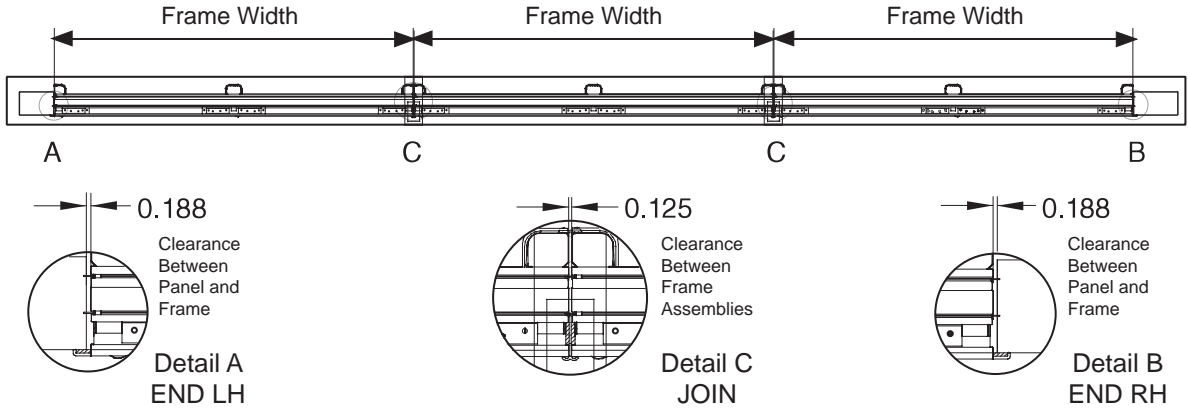
Clearance LH	+	Frame Width	+	Join	+	Frame Width	+	Join	+	Frame Width	+	Clearance RH	=	NET OPENING
0.188				0.125				0.125				0.188		
		Frame 1				Frame 2				Frame 3				

Formula to Determine Minimum Net Opening for a Continuous Run of Doors with No Mullions Between Frames – Four Frame Assembly

Clearance LH	+	Frame Width	+	Join	+	Frame Width	+	Join	+	Frame Width	+	Join	+	Frame Width	+	Clearance RH	=	NET OPENING
0.188				0.125				0.125				0.125				0.188		
		Frame 1				Frame 2				Frame 3				Frame 4				

Using the illustration below as an example, the formula for a three frame assembly of two 30 in. doors each gives
 Clearance LH + Frame Width + Join + Frame Width + Join + Frame Width + Clearance RH = Net Opening Width
 0.188 + 61.938 + 0.125 + 61.938 + 0.125 + 61.938 + 0.188 = 186.44 in. Net Opening Width
 (frame width from Page 2). Using a two frame assembly of three 30 in. doors each would require a smaller net opening of 185.251 in. **Always use the fewest frames possible to achieve the number of doors required.**

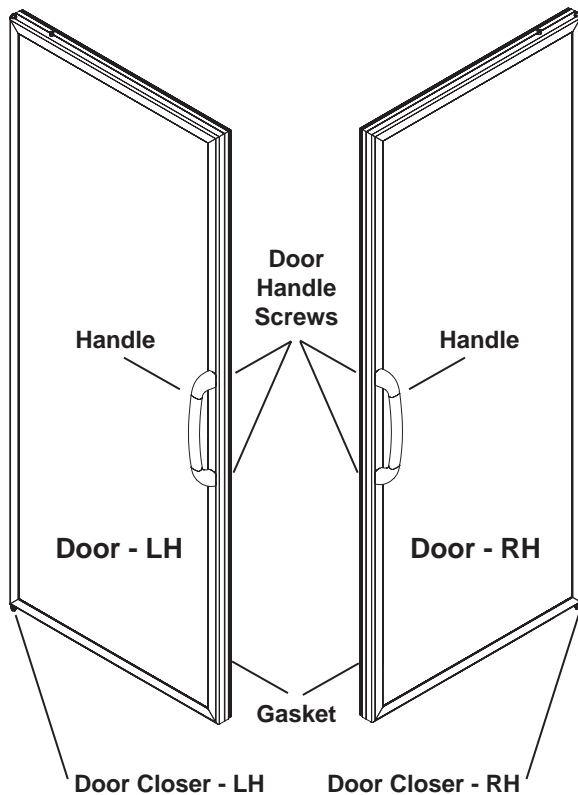
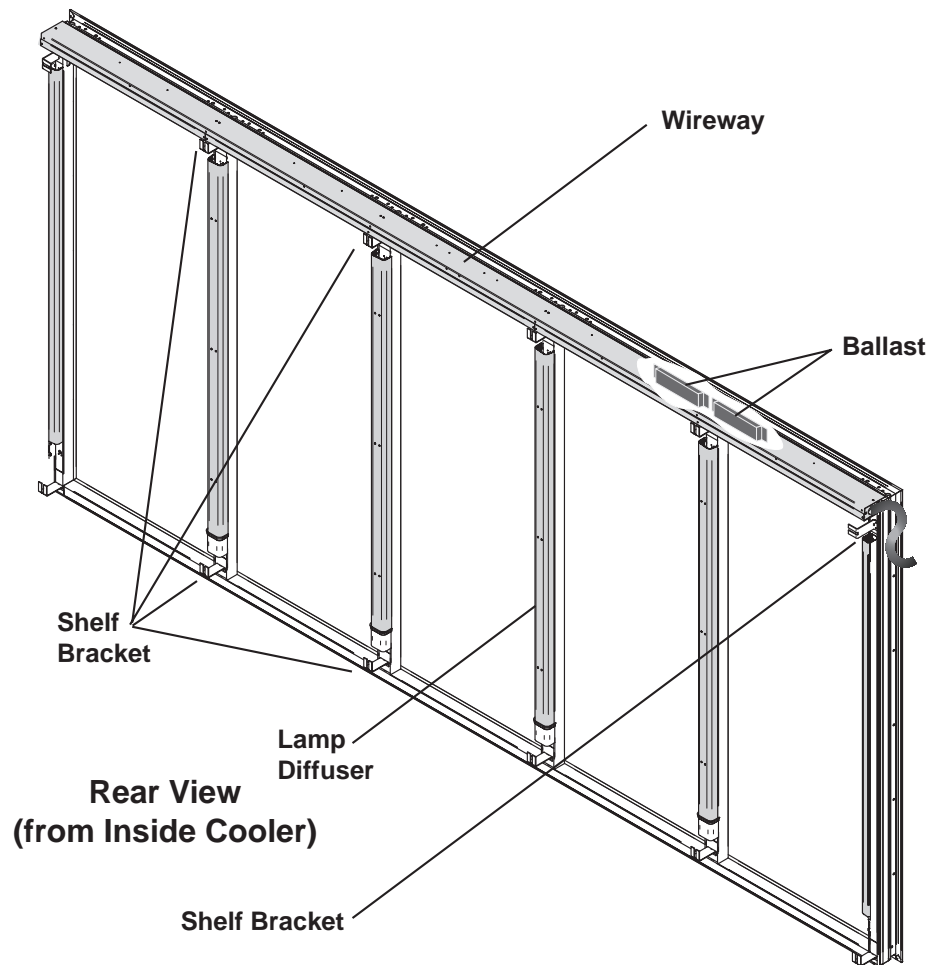
THREE-FRAME ASSEMBLY



IWL—75R

IWM—75R

Innovator Door and Frame



This warning does not mean that Hussmann products will cause cancer or reproductive harm, or is in violation of any product-safety standards or requirements. As clarified by the California State government, Proposition 65 can be considered more of a 'right to know' law than a pure product safety law. When used as designed, Hussmann believes that our products are not harmful. We provide the Proposition 65 warning to stay in compliance with California State law. It is your responsibility to provide accurate Proposition 65 warning labels to your customers when necessary. For more information on Proposition 65, please visit the California State government website.

IWL—75R
IWM—75R
Innovator Door and Frame

Description

LED Power Supply
LED Lamps, Replace with like fixtures
Ballast, Electronic, 1 lamps
Ballast, Electronic, 2 lamps
Fluorescent Lamp, Replace with like fixtures

Lamp Diffuser, Center
Lamp Diffuser, End
Clip, Diffuser
Shield, Lamp
Shelf Bracket, Upper
Shelf Bracket, Lower

Door-Innovator, Medium Temperature, Black, LH
Door-Innovator, Medium Temperature, Black, RH
Door-Innovator, Medium Temperature, Gray, LH
Door-Innovator, Medium Temperature, Gray, RH
Door-Innovator, Medium Temperature, Black, LH Always*Clear
Door-Innovator, Medium Temperature, Black, RH Always*Clear
Door-Innovator, Medium Temperature, Gray, LH Always*Clear
Door-Innovator, Medium Temperature, Gray, RH Always*Clear
Door-Innovator, Low Temperature, Black, LH
Door-Innovator, Low Temperature, Black, RH
Door-Innovator, Low Temperature, Gray, LH
Door-Innovator, Low Temperature, Gray, RH
Door-Innovator, Low Temperature, Black, LH Always*Clear
Door-Innovator, Low Temperature, Black, RH Always*Clear
Door-Innovator, Low Temperature, Gray, LH Always*Clear
Door-Innovator, Low Temperature, Gray, RH Always*Clear

NOTE: GLASS AND GLASS HEATERS ARE NOT FIELD REPLACEABLE.

Handle, Black
Handle, Gray
Screw-Handle
Gasket, Magnetic, Black
Gasket, Magnetic, Gray
Torsion Rod Assembly, Bottom, LH
Torsion Rod Assembly, Bottom, RH
Pin, Top Hinge
Spring, Hinge Pin Coil
Shoulder Screw, Hold-open, Black
Shoulder Screw, Hold-open, Gray
Molding, End
Molding, Joint
Binder Post & Screw
Wireway Cover

*Contact your Hussmann supplier,
Hussmann service organization or
Hussmann representative to obtain
replacement parts.*





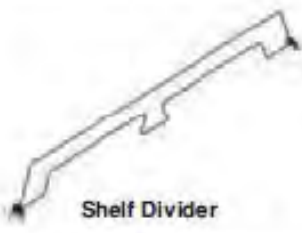








*To find your nearest Hussmann
location, go to:
www.hussmann.com/locations*

IWL—75R

IWM—75R

Innovator Door and Frame

Shelving Accessory Identifier

 <p>Normal Duty Shelf (loads of 100 – 150 lb)</p>	 <p>Drip Pan</p>	 <p>Front & Side Guard</p>
 <p>Heavy Duty Shelf (loads of 150 – 200 lb)</p>	 <p>Shelf Divider</p>	 <p>Post Spacer</p>
 <p>Variable Position Shelf (loads up to 300 lb)</p>	 <p>Shelf Perimeter Guard</p>	 <p>Mobile Merchandiser</p>
 <p>Step Shelf</p>	 <p>Variable Position Perimeter Guard</p>	
 <p>Basket Shelf</p>	 <p>Post with Leveler Bracket</p>	

IWL—75R IWM—75R Innovator Door and Frame

Wiring diagrams are provided in the *Innovator Door System Installation & Service Manual*, P/N 2402443, available at <http://www.hussmann.com/ServiceAndParts/TechnicalInformation/Pages/Walk-InDoors>

IWL2475R

REFRIGERATION DATA

Additional Capacity 829 Btu/hr/door

ELECTRICAL DATA

	1	2	3	4	5	1	2	3	4	5
	Door	Door	Door	Door	Door	Door	Door	Door	Door	Door
	Amperes					Watt				
Anti-sweat Heaters										
Doors	0.52	1.04	1.56	2.08	2.60	63	125	187	250	312
Frames	0.45	0.87	1.32	1.75	2.19	54	105	159	210	263
Vertical Lighting										
EcoShine LED	0.23	0.45	0.68	0.90	1.13	27	54	81	108	135
Fluorescent	1.00	1.50	2.00	2.50	3.00	120	180	240	300	360

IWM2475R

REFRIGERATION DATA

Additional Capacity 540 Btu/hr/door

ELECTRICAL DATA

	1	2	3	4	5	1	2	3	4	5
	Door	Door	Door	Door	Door	Door	Door	Door	Door	Door
	Amperes					Watt				
Anti-sweat Heaters										
Doors	N A	N A	N A	N A	N A	N A	N A	N A	N A	N A
Frames	0.20	0.39	0.59	0.79	0.99	24	47	71	95	119
Vertical Lighting										
EcoShine LED	0.23	0.45	0.68	0.90	1.13	27	54	81	108	135
Fluorescent	1.00	1.50	2.00	2.50	3.00	120	180	240	300	360

<p>IWL—75R</p> <p>IWM—75R</p> <p>Innovator Door and Frame</p>
--

Wiring diagrams are provided in the *Innovator Door System Installation & Service Manual*, P/N 2402443, available at <http://www.hussmann.com/ServiceAndParts/TechnicalInformation/Pages/Walk-InDoors>

IWL3075R

REFRIGERATION DATA

Additional Capacity 940 Btu/hr/door

ELECTRICAL DATA

	1	2	3	4	5	1	2	3	4	5
	Door	Door	Door	Door	Door	Door	Door	Door	Door	Door
	Amperes					Watt				
Anti-sweat Heaters										
Doors	0.67	1.33	2.00	2.67	3.33	80	160	240	320	400
Frames	0.49	0.96	1.44	1.92	2.40	59	115	172	230	288
Vertical Lighting										
EcoShine LED	0.23	0.45	0.68	0.90	1.13	27	54	81	108	135
Fluorescent	1.00	1.50	2.00	2.50	3.00	120	180	240	300	360

IWM3075R

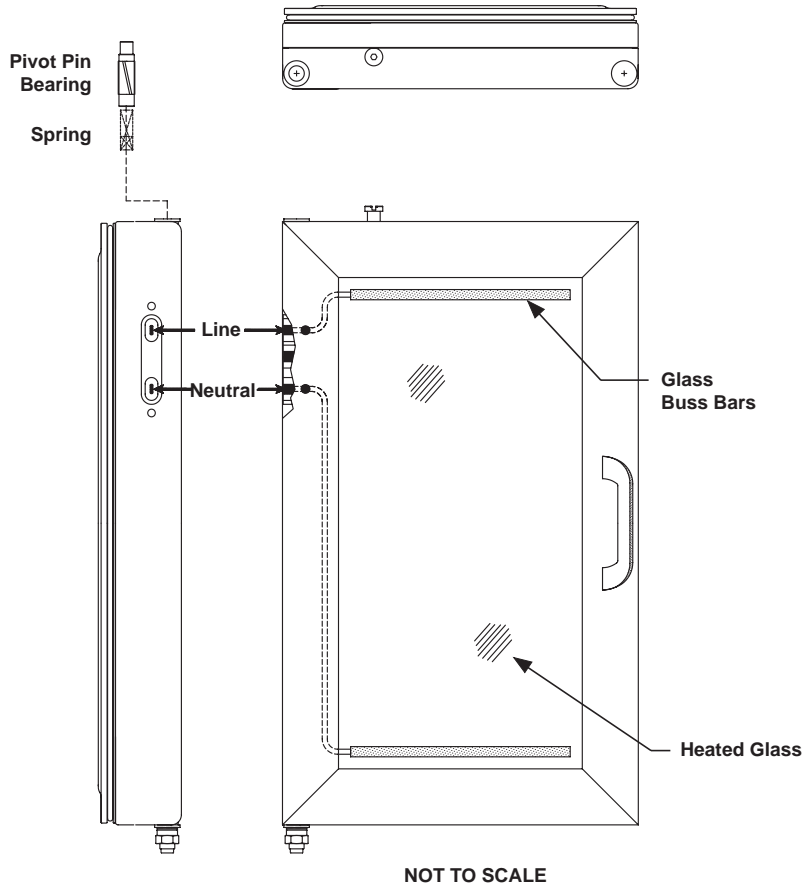
REFRIGERATION DATA

Additional Capacity 575 Btu/hr/door

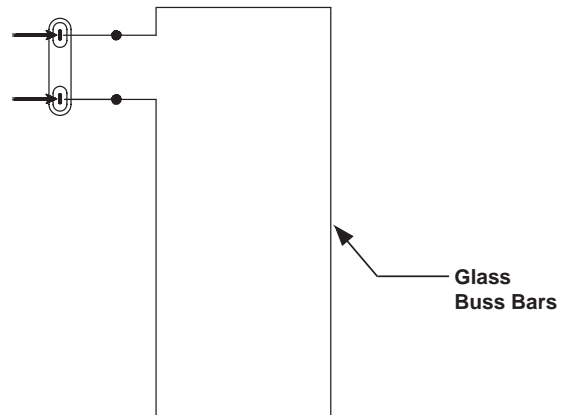
ELECTRICAL DATA

	1	2	3	4	5	1	2	3	4	5
	Door	Door	Door	Door	Door	Door	Door	Door	Door	Door
	Amperes					Watt				
Anti-sweat Heaters										
Doors	N A	N A	N A	N A	N A	N A	N A	N A	N A	N A
Frames	0.22	0.43	0.63	0.85	1.06	26	51	76	102	127
Vertical Lighting										
EcoShine LED	0.23	0.45	0.68	0.90	1.13	27	54	81	108	135
Fluorescent	1.00	1.50	2.00	2.50	3.00	120	180	240	300	360

IWL—75R
IWM—75R
Innovator Door and Frame

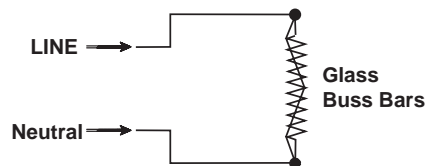


DIAGRAM



Innovator
Low Temperature Doors
Only

SCHEMATIC



Test Resistance = 150 Ohms
 (Line / Neutral)

IWL—75R

IWM—75R

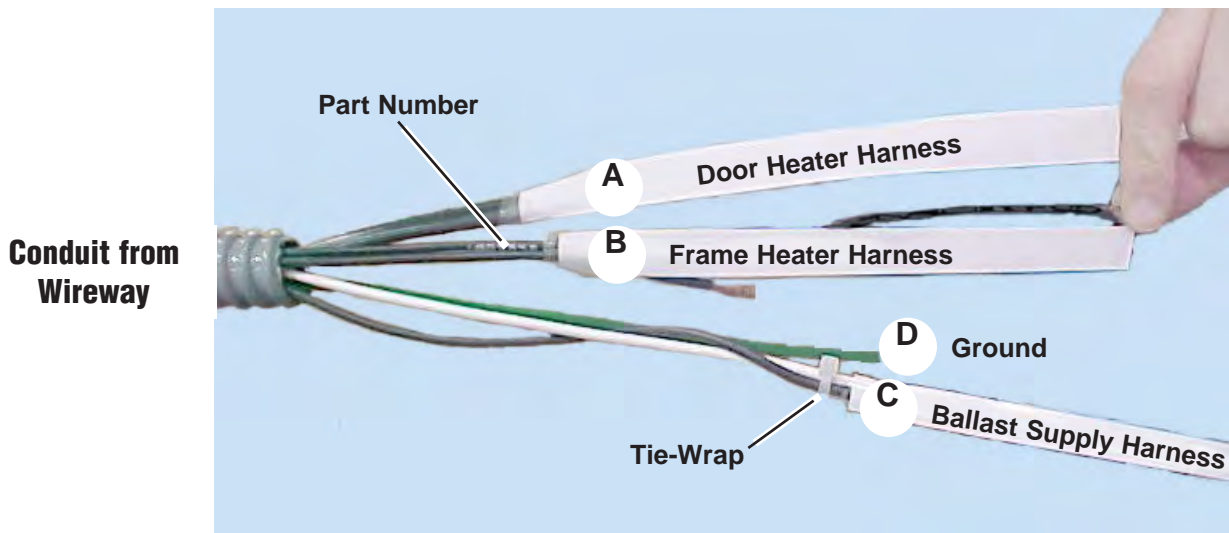
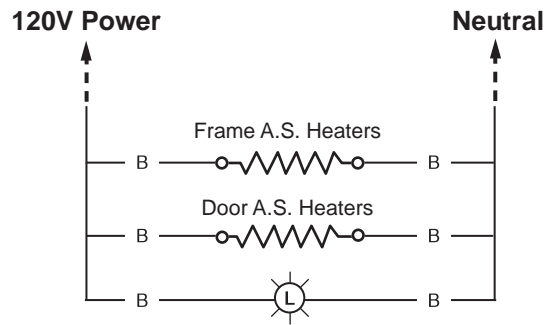
Innovator Door and Frame

Conduit from Wireway

Each frame has the following wires in flexible conduit:

- A. **LOW TEMPERATURE APPLICATION ONLY** — The **Door Heater Harness** is made of two joined black wires.
- B. The **Frame Heater Harness** is made of two separate black wires **OR** one black and one white wire; one or both will have a part number stamped visibly along the length of the wire.
- C. The **Power Supply Harness or Ballast Supply Harness** has one white wire and one black wire bound with Tiewrap.
- D. The **Ground** wire is green.

This photo shows the wiring with labels added for clarity. The diagram shows how the wires must be connected.





HUSSMANN[®]

**To obtain warranty information
or other support, contact your
Hussmann representative.
Please include the model and
serial number of the product.**

Hussmann Corporation, Corporate Headquarters: Bridgeton, Missouri, U.S.A. 63044-2483 01 October 2012

IWL—75R

IWM—75R

Innovator Door and Frame

Hussmann Corporation

12999 St. Charles Rock Road

Bridgeton, MO 63044-2483

www.hussmann.com