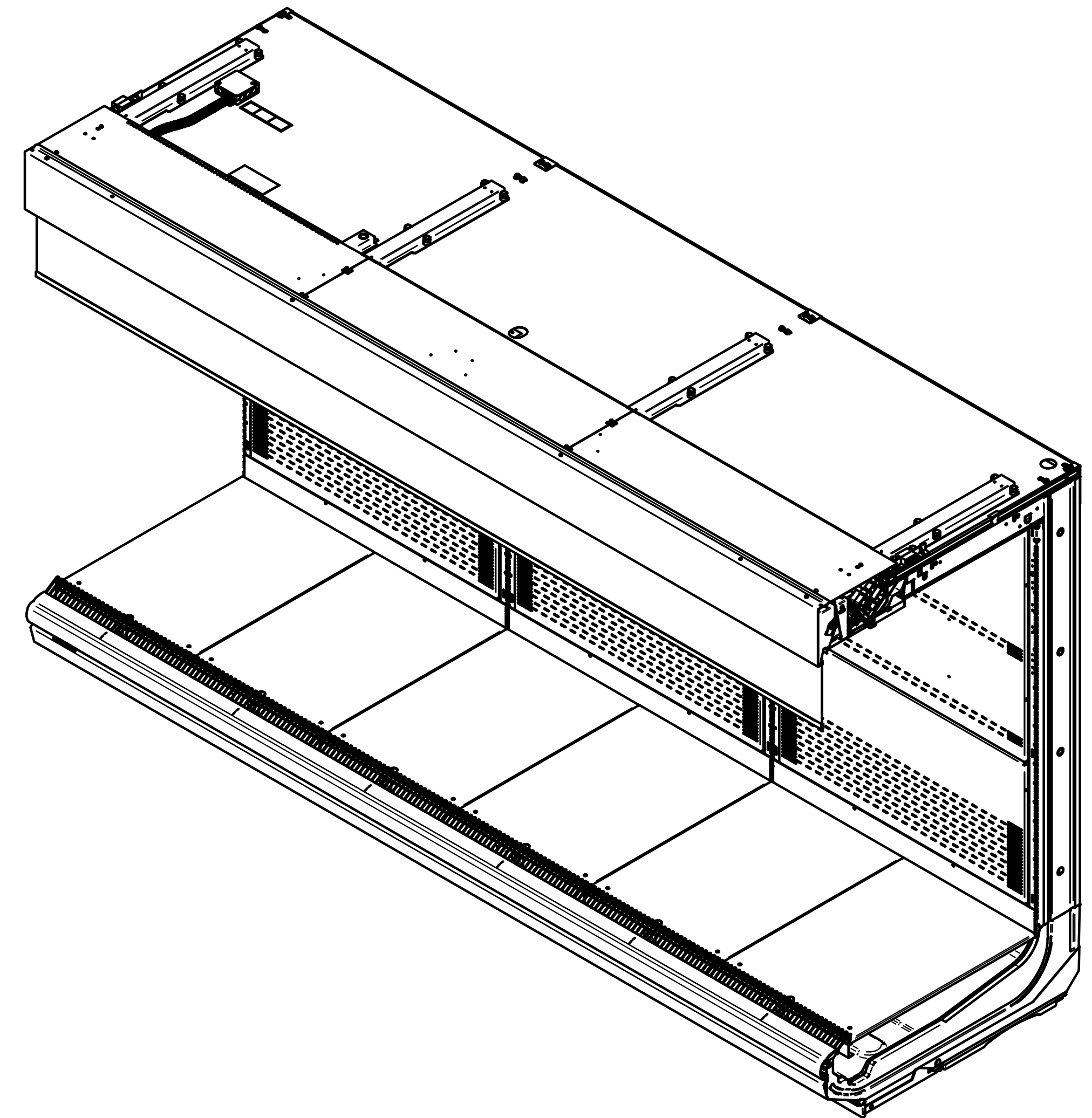
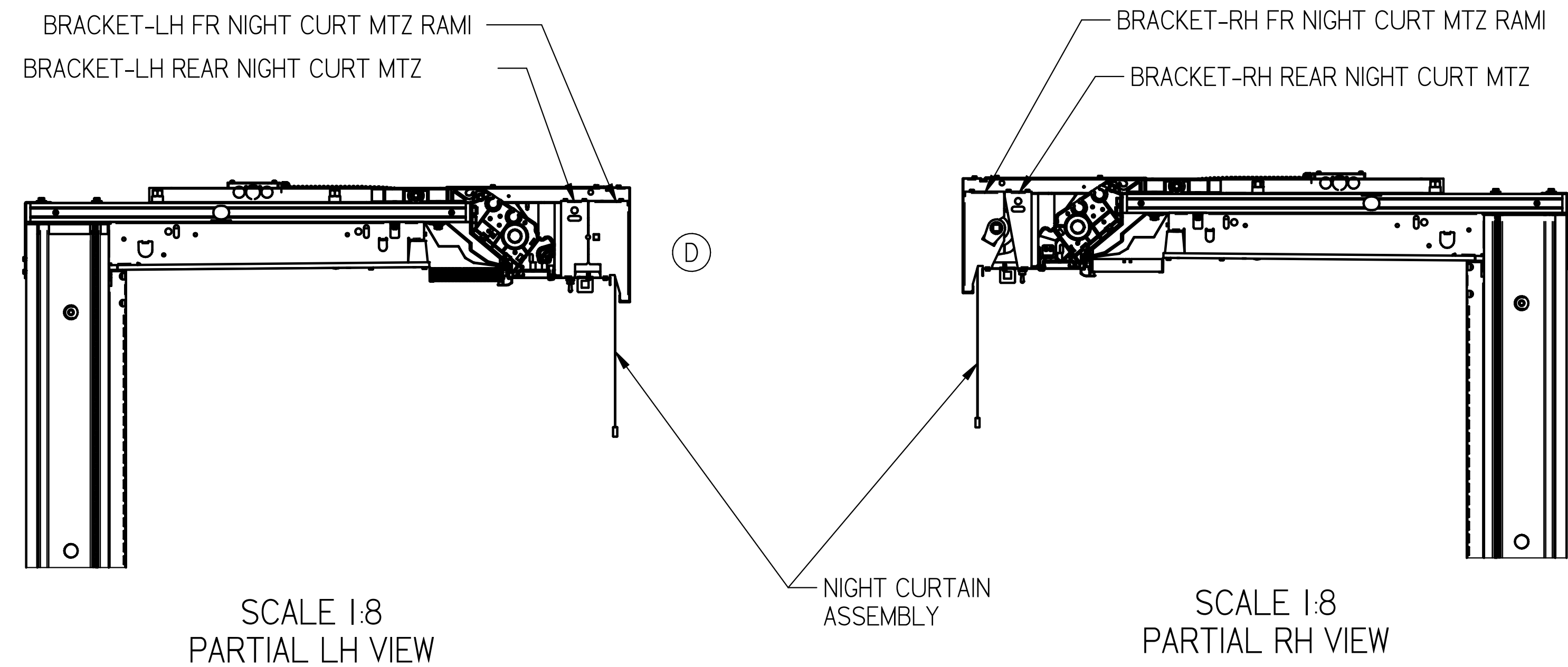

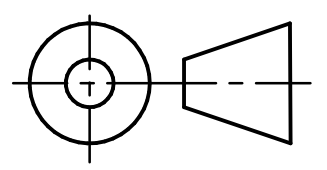


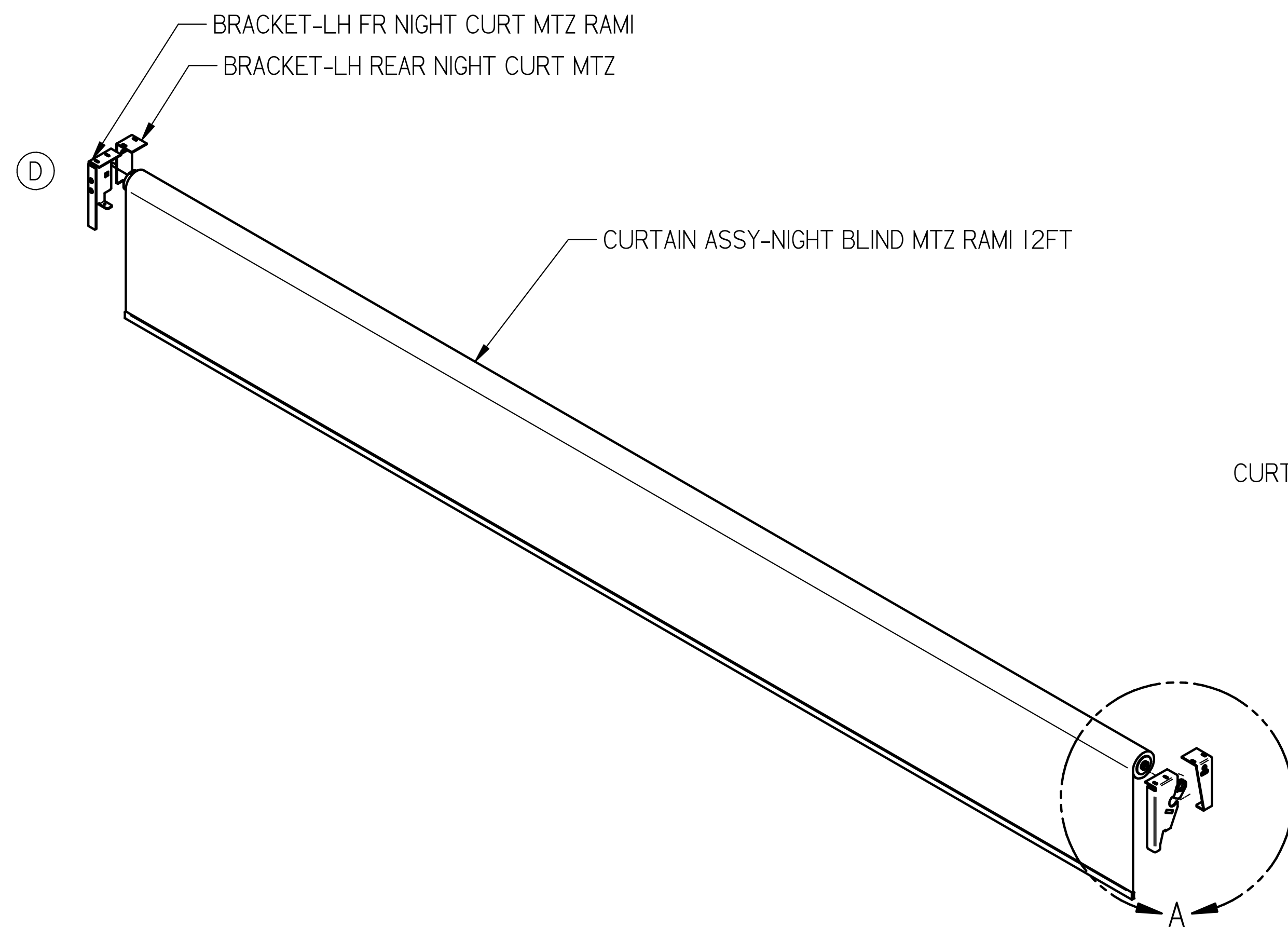
REVISION HISTORY						
REV	ECN	DATE	REVISION DESCRIPTION	REV BY	CHKD BY	APPR BY
A	ECN-NPD-0000779	2017/09/26	RELEASE TO PRODUCTION	SNAIK	LNL	ACB
B	ECN-CAP-0011476	2018/01/15	UPDATE NIGHT CURTAIN LIMIT SETTINGS INSTRUCTIONS SHEET 3	EIT	ACB	IMN
C	ECN-CAP-0011929	2018/02/27	UPDATED GEOMETRY ON NIGHT CURTAIN BRACKETS, ADDED GENERAL NOTE 5, ADDED RAMI TO DESCRIPTION NAME	DYS	BCP	ACB
D	ECN-CAP-0017524	2019/04/19	UPDATED GEOMETRY ON NIGHT CURTAIN BRACKETS,	GKE	SNAIK	ACB



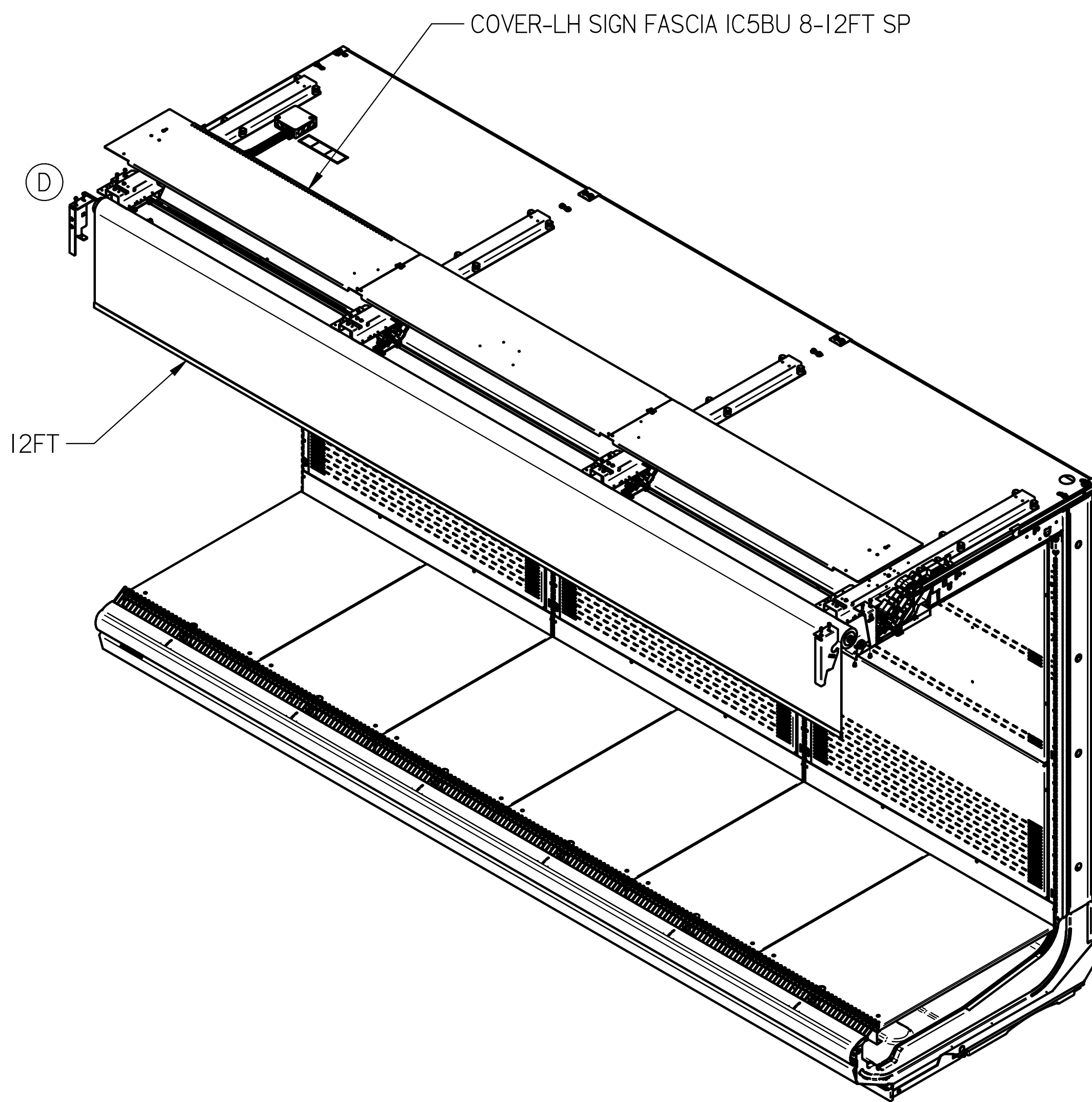
- NOTES:
1. APPLICABLE STANDARDS / SPECIFICATIONS  
ASME Y14.5M-1994, DIMENSIONS AND TOLERANCES
  2. KEY PRODUCT CHARACTERISTICS PER EPR-0006 & IDENTIFIED WITH SYMBOL 
  3. MATERIAL - N/A
  4. REF -NEW
  5. RAMI: SUPPLIER FOR NIGHT CURTAIN

UNLESS OTHERWISE SPECIFIED DIMENSIONS ARE IN INCHES.	<b>HUSSmann®</b>	
	INSTRUCTION-NIGHT CURTAIN MTZ RAMI	
 THIRD ANGLE PROJECTION	P/N	REV
	SHEET 1 OF 3	3028499

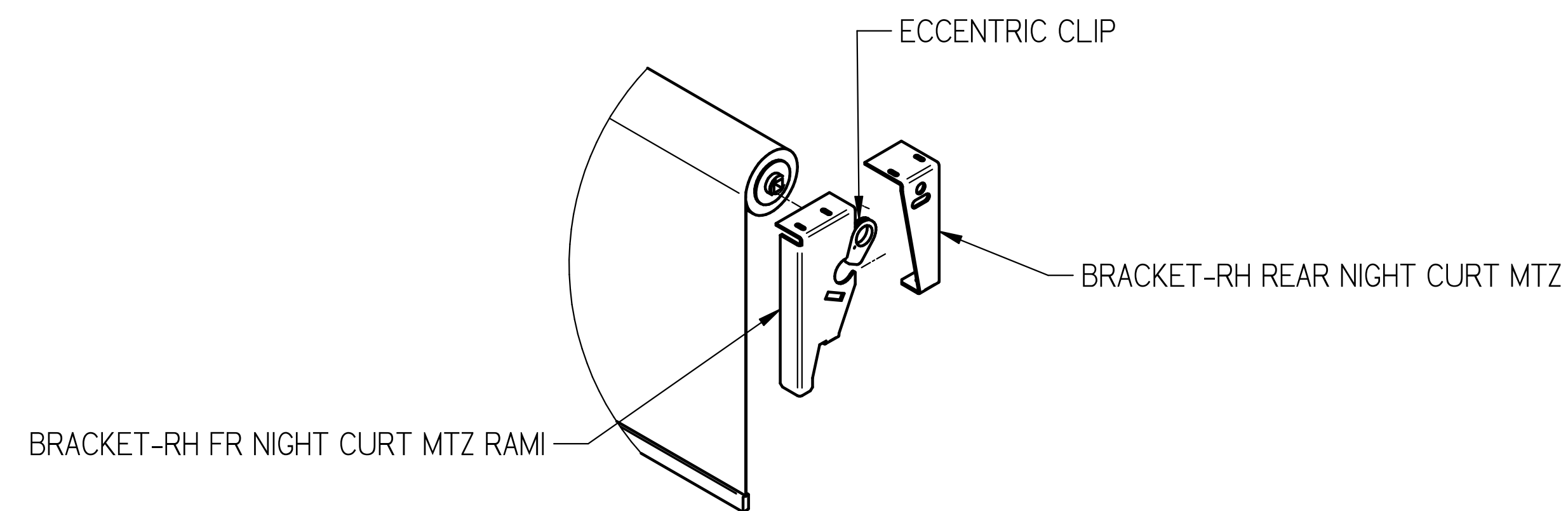
GDF 3.0 SHEET SIZE D



SCALE 1:10  
EXPLODED VIEW  
(NIGHT CURTAIN AND BRACKETS)



EXPLODED VIEW  
(FASCIA IS HIDDEN FOR CLARRITY)

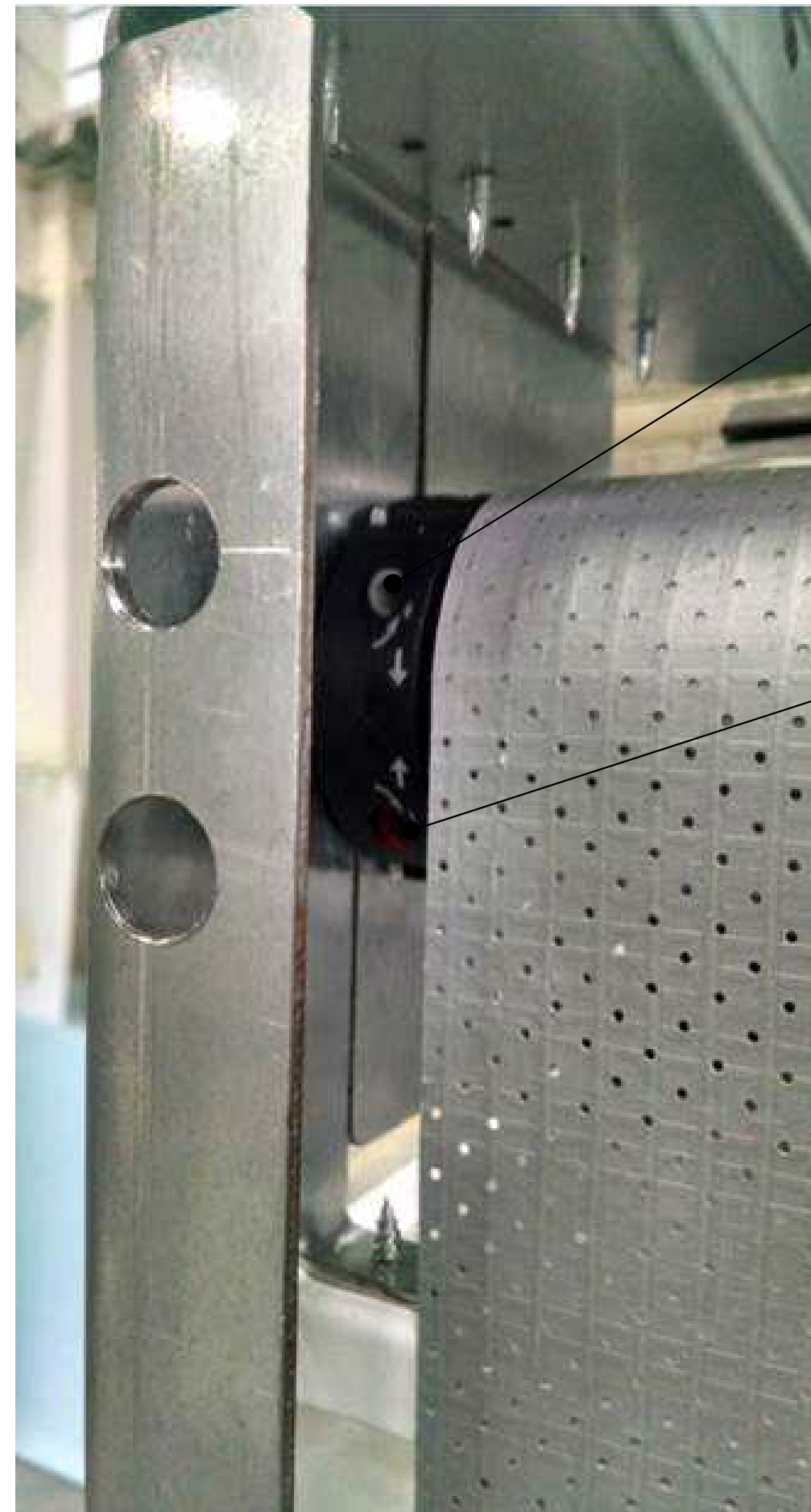


DETAIL A  
SCALE 1:5

- NOTES:
1. APPLICABLE STANDARDS / SPECIFICATIONS  
ASME Y14.5M-1994, DIMENSIONS AND TOLERANCES
  2. KEY PRODUCT CHARACTERISTICS PER EPR-0006 & IDENTIFIED WITH SYMBOL
  3. MATERIAL- N/A
  4. REF -NEW
  5. RAMI: SUPPLIER FOR NIGHT CURTAIN


UNLESS OTHERWISE SPECIFIED DIMENSIONS ARE IN INCHES.	<b>HUSSmann®</b>	
	INSTRUCTION-NIGHT CURTAIN MTZ RAMI	
 THIRD ANGLE PROJECTION	P/N	REV
	SHEET 2 OF 3	3028499

GDF 3.0 SHEET SIZE D




TOP LIMITER (WHITE). THIS SETS THE NIGHT CURTAIN -LOWER- LIMIT.

 COUNTER CLOCKWISE=LOWERS CURTAIN

 CLOCKWISE=RAISES CURTAIN

BOTTOM LIMITER (RED). THIS SETS THE NIGHT CURTAIN -UPPER- LIMIT.

 COUNTER CLOCKWISE=RAISES CURTAIN

 CLOCKWISE=LOWERS CURTAIN

REQUIRED TOOLS:  
4MM HEX KEY -OR- LIMIT ADJUSTMENT TOOL PROVIDED WITH NIGHT CURTAIN

DO NOT USE POWER DRILL TO ADJUST LIMITS, DAMAGE MAY RESULT

ADJUSTING LOWER LIMIT

1. SELECT "CLOSE CURTAIN/DOWN" IN THE CORELINK COMMAND MENU.
2. WAIT FOR CURTAIN TO STOP. CURTAIN SHOULD STOP IN A MIDWAY POSITION.
3. ADJUST THE TOP (WHITE) LIMITER COUNTER CLOCKWISE TO LOWER CURTAIN. WHEN YOU START TO ROTATE COUNTER CLOCKWISE EVENTUALLY THE CURTAIN WILL START TO BUMP DOWN SLOWLY. CONTINUE UNTIL DESIRED CLOSED LIMIT IS REACHED.
4. DO NOT LET CURTAIN ALUMINUM BOTTOM TRIM TOUCH THE HANDRAIL. IT SHOULD BE 1/8" TO 1/4" ABOVE THE HANDRAIL.
5. CURTAIN LOWER LIMIT IS NOW SET.


ADJUSTING UPPER LIMIT

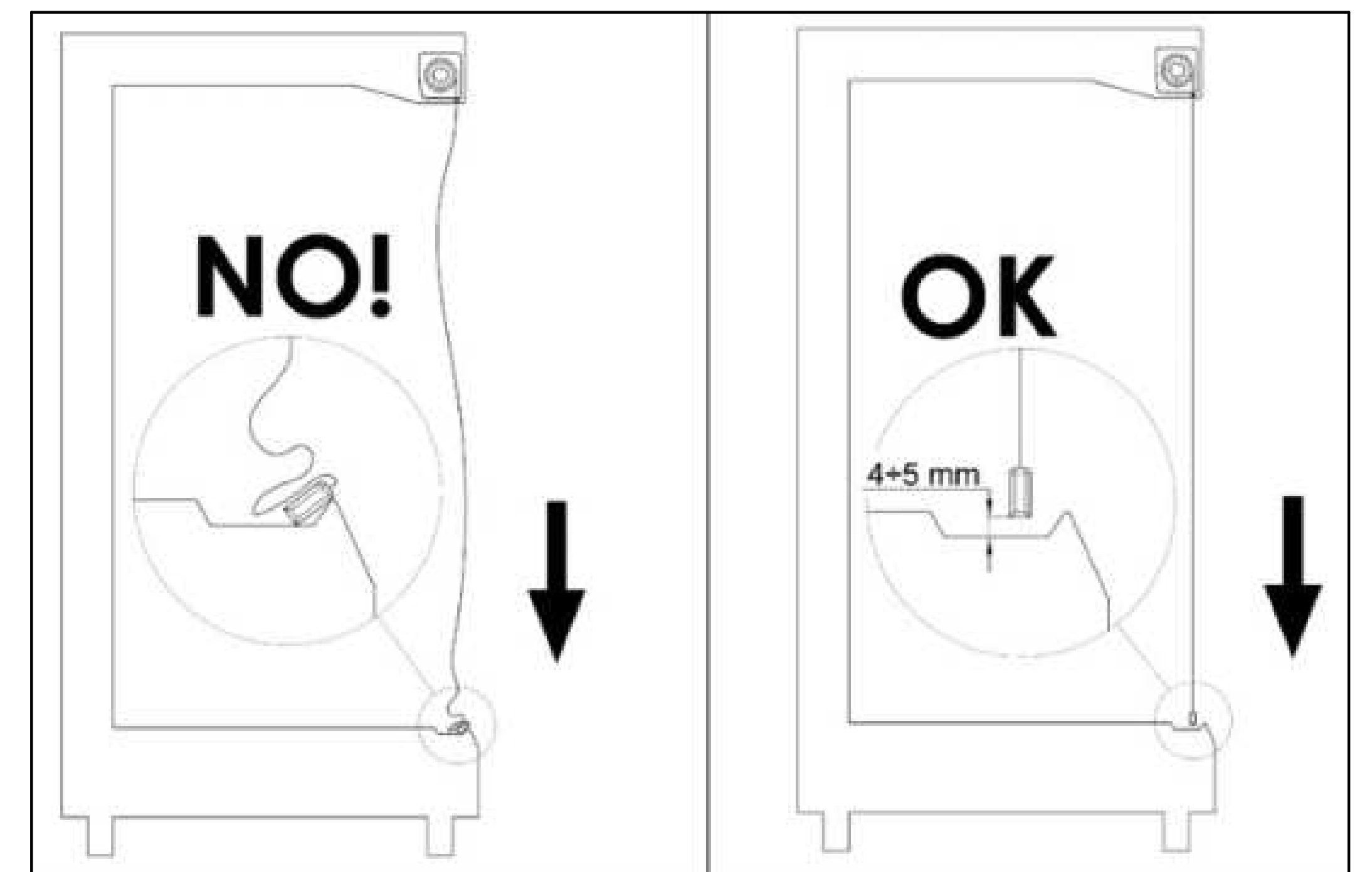
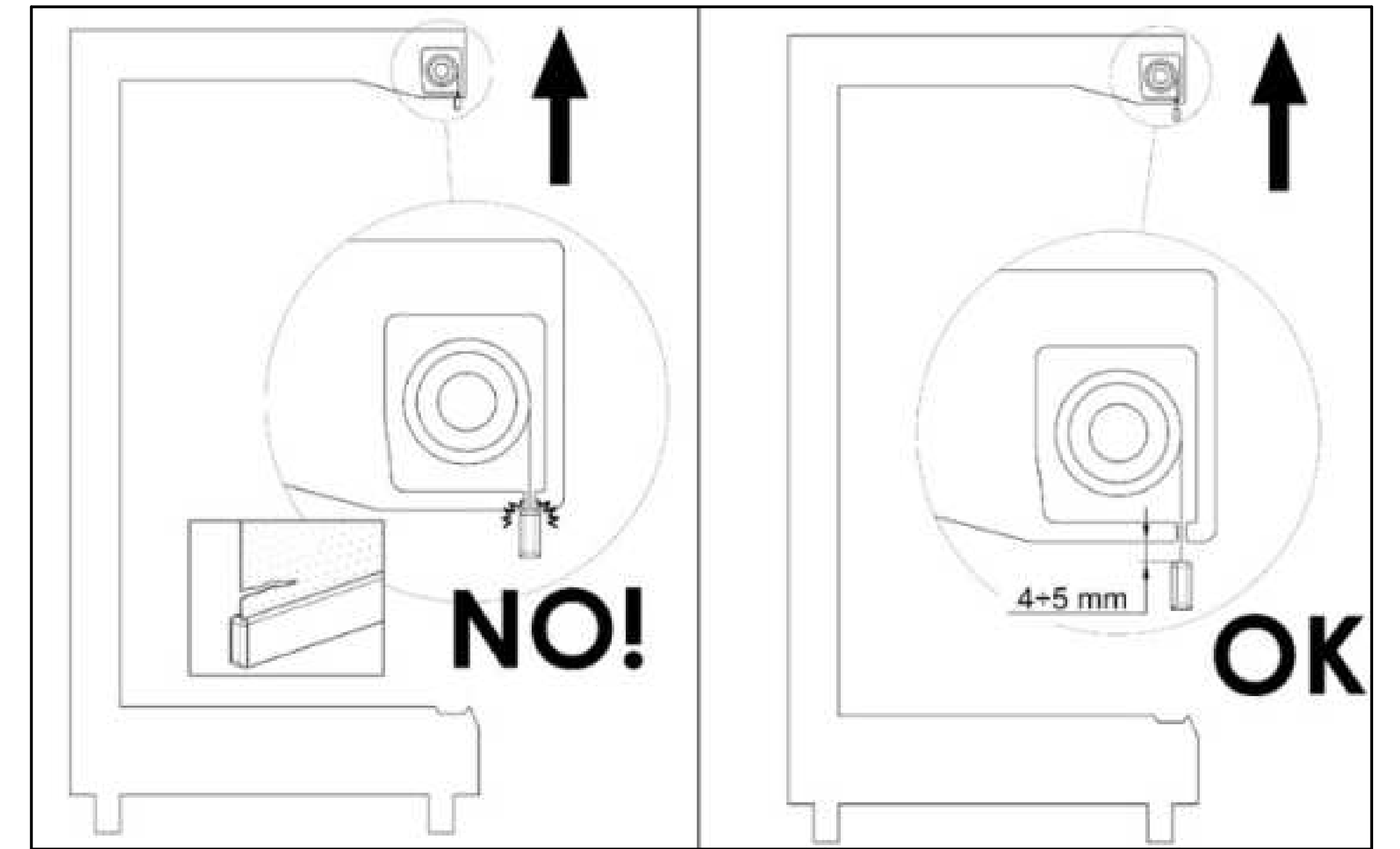
6. SELECT "OPEN CURTAIN/UP" IN THE CORELINK COMMAND MENU.
7. WAIT FOR CURTAIN TO STOP. IF CURTAIN STOPS BEFORE DESIRED UPPER LIMIT, CONTINUE WITH STEP 8. IF CURTAIN TRAVELS PAST THE DESIRED UPPER LIMIT, SKIP TO STEP 10.
8. ADJUST RED LIMITER (BOTTOM POSITION) COUNTER CLOCKWISE TO RAISE CURTAIN. WHEN YOU START TO ROTATE COUNTER CLOCKWISE EVENTUALLY THE CURTAIN WILL START TO BUMP UP SLOWLY. CONTINUE TO ADJUST UNTIL DESIRED UPPER LIMIT IS REACHED.
9. RETEST OPEN/CLOSED AND MAKE ADJUSTMENTS AS NECESSARY.

IF CURTAIN TRAVELS PAST THE DESIRED UPPER LIMIT:

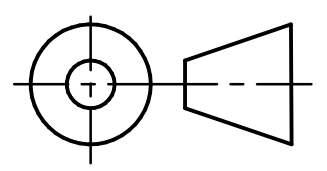
10. SELECT "CLOSE CURTAIN/DOWN" COMMAND IN CORELINK COMMAND MENU.
11. WITH CURTAIN DOWN, ROTATE THE RED ADJUSTER CLOCKWISE 1080° (3 FULL ROTATIONS).
12. SELECT "OPEN CURTAIN/UP" IN THE CORELINK COMMAND MENU.
13. WAIT FOR CURTAIN TO STOP. IF CURTAIN STOPS BEFORE DESIRED UPPER LIMIT, CONTINUE WITH STEP 14. IF CURTAIN TRAVELS PAST THE DESIRED UPPER LIMIT, REPEAT STEPS 10-13.
14. ADJUST RED (BOTTOM) LIMITER COUNTER CLOCKWISE TO RAISE CURTAIN. WHEN YOU START TO ROTATE COUNTER CLOCKWISE EVENTUALLY THE CURTAIN WILL START TO BUMP UP SLOWLY. CONTINUE TO ADJUST UNTIL DESIRED UPPER LIMIT IS REACHED.
15. RETEST OPEN/CLOSED AND MAKE ADJUSTMENTS AS NECESSARY.

NOTES:

1. APPLICABLE STANDARDS / SPECIFICATIONS  
ASME Y14.5M-1994, DIMENSIONS AND TOLERANCES
2. KEY PRODUCT CHARACTERISTICS PER EPR-0006 & IDENTIFIED WITH SYMBOL 
3. MATERIAL- N/A
4. REF -NEW
5. RAMI: SUPPLIER FOR NIGHT CURTAIN



REGULATION OF UPPER STROKE-END

UNLESS OTHERWISE SPECIFIED DIMENSIONS ARE IN INCHES.	<b>HUSSmann®</b>	
	INSTRUCTION-NIGHT CURTAIN MTZ RAMI	
 THIRD ANGLE PROJECTION	P/N	REV
	SHEET 3 OF 3	3028499 D