

# HUSSMANN®

P/N 3056169\_A

February 2018



## XR75 CONTROLLER RETROFIT

REPLACEMENT FOR SAFE-NET III  
CONTROLLERS



### **WARNING**

— LOCK OUT / TAG OUT —

*To avoid serious injury or death from electrical shock, always disconnect the electrical power at the main disconnect when servicing or replacing any electrical component. This includes, but is not limited to, such items as doors, lights, fans, heaters, and controllers.*

## RETROFIT GUIDE

Background: The intention of this short instruction is to guide a field technician through the process of replacing a defective Safe-NET III Controller. These controllers are no longer manufactured.

The Safe-NET III Controller is to be replaced using the controller in this kit, XR75 Controller, which is the designated replacement for Freedom cases.

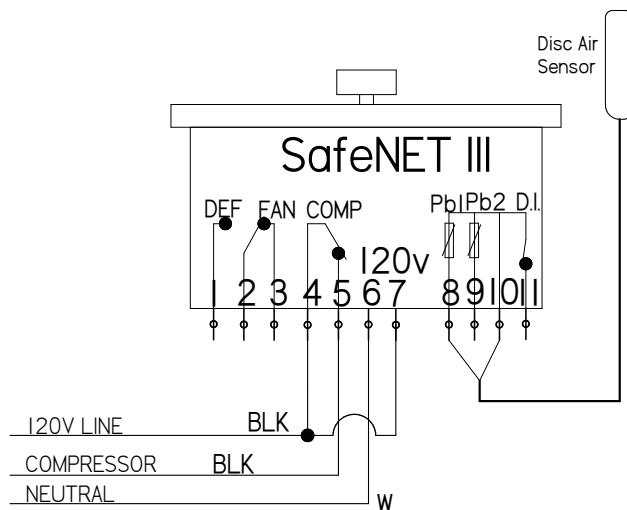
The scope of this document is Excel, Insight and Reach-In Freedom cases.

### Instructions:

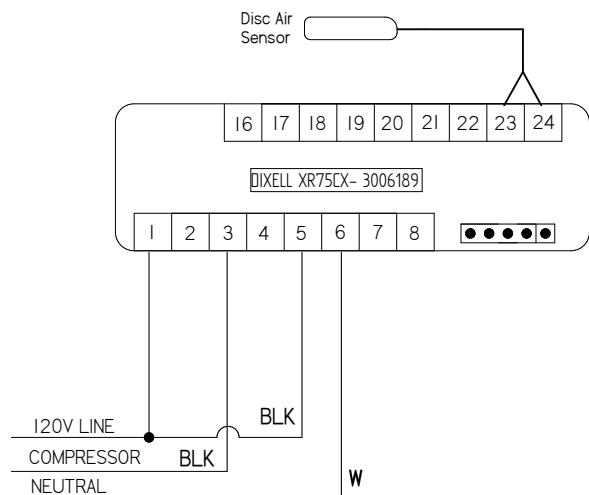
1. Shut off all power to the merchandiser.
2. Locate the electrical box on the top of the case.
3. Remove the cover and the existing Safe-NET III controller.
4. Carefully remove the wires from the Safe-NET III controller and move them to the new XR75 controller as shown in the diagrams.

### MEDIUM TEMPERATURE

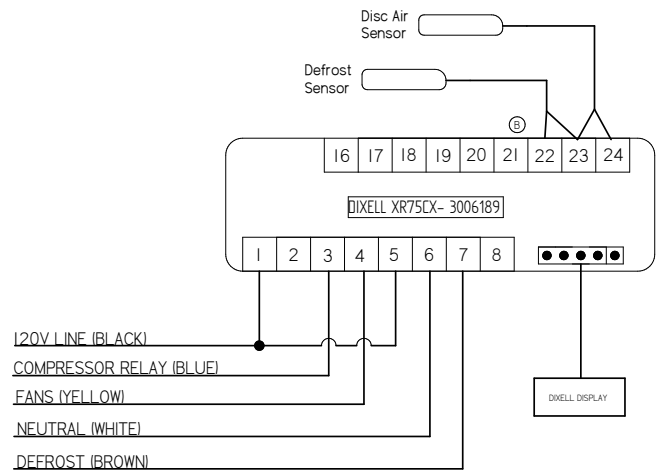
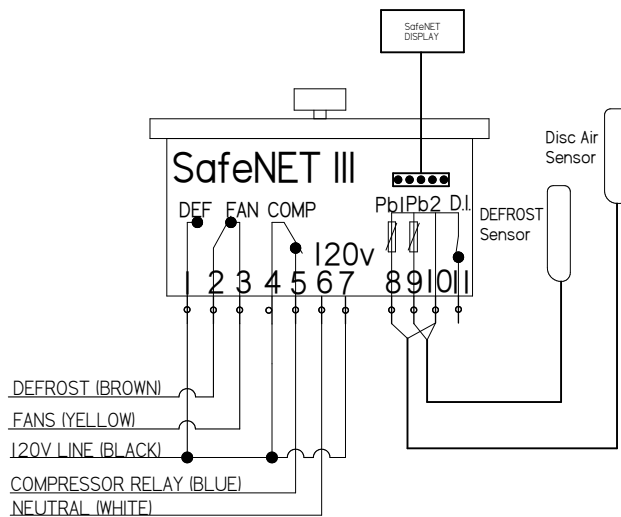
Safe-NET III Discharge Air Sensor Diagram



XR-75 Discharge Air Sensor Diagram

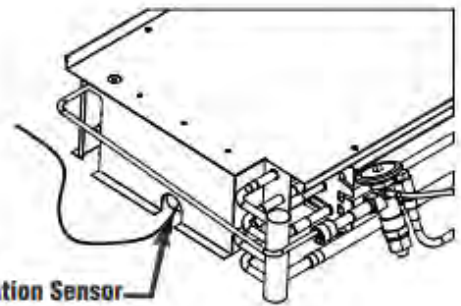


LOW TEMPERATURE



**NOTE:**

**For low temperature cases, the defrost termination sensor must also be replaced.**



**Defrost Termination Sensor located on the bottom row return bend closest to the center of the coil.**

5. Remove the existing discharge air, and on low temperature cases, defrost termination sensors and replace with the new sensors provided. The discharge air sensor is located in the center of the honeycomb, and the defrost termination sensor is located on the LH end of the coil, bottom return bend (see images above). Connect the sensors as shown in the diagram
6. If the remote display is used, remove the existing Safenet III display and replace with the Dixell XR75 display. Use the included cable to connect the display to the controller.
7. Double check all wiring, then reconnect power to the case. The controller has been factory programmed to the correct parameters for the case model. The controller will display the current case temperature on the display. Pressing the ‘SET’ button will display the target setpoint. Confirm proper case operation prior to completing job.



# **HUSSmann®**

**To obtain warranty information  
or other support, contact your  
Hussmann representative.  
Please include the model and  
serial number of the product.**

*Hussmann Corporation, Corporate Headquarters: Bridgeton, Missouri, U.S.A. 63044-2483 01 October 2012*