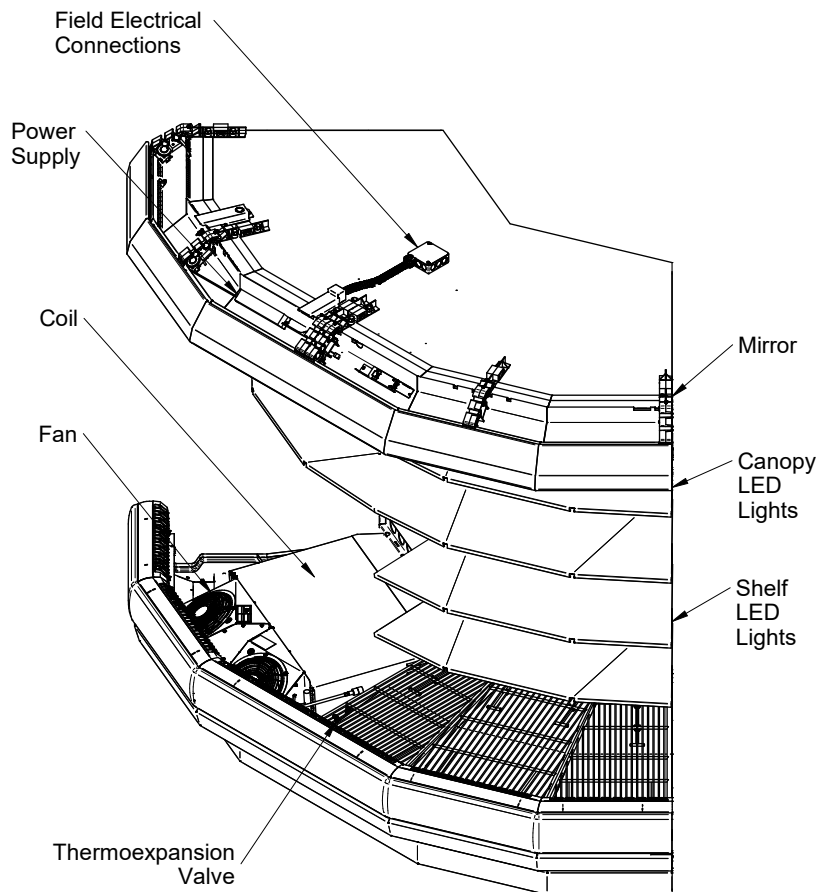




*Insight standard field electrical connections are at the top left of the merchandiser*



Portion of parts removed for clarity.

Outside 90° wedge merchandiser shown.

### NSF Certification

This merchandiser model is manufactured to meet NSF/ANSI (National Sanitation Foundation) Standard #7 requirements for construction, materials and cleanability.

Performance Data	Page 2	Estimated Shipping Weights	Page 6
Product Data (AHRI Statistics)	Page 2	Shelf Options	Page 6
Cross Section	Page 3	Replacement Parts List	Page 7
Plan View	Page 4	Wiring Diagrams	Page 8
Electrical Loads	Page 5	Computing Refrigeration and Electrical Load	Page 10
		Revision History	Page 10

Data sheet-Insight ID5SLO90X

We reserve the right to change or revise specifications and product design in connection with any feature of our products. Such changes do not entitle the buyer to corresponding changes, improvements, additions or replacements for equipment previously sold or shipped.

# Insight ID5SLO90X

## Dairy / Delicatessen

### Refrigeration Data <sup>1</sup>

ID5SLO90X Wedge		Optimal Shelf Life		Energy Comparison
Application		Dairy/Deli/ Beverage/ Produce	Convertible / Meat	AHRI 1200 Rating Point <sup>3</sup>
Unlit Shelves	Discharge Air °F (°C)	33 (0.6)	32 (0.0)	34 (1.1)
	Average Evaporator °F (°C) <sup>2</sup>	27 (-2.8)	24 (-4.4)	28 (-2.2)
	Parallel Btu/hr/case (Watts/case)	10184 (2985)	10313 (3022)	10111 (2963)
	Conventional Btu/hr/case (Watts/case)	11110 (3256)	11250 (3297)	11030 (3233)
Lit Shelves	Discharge Air °F (°C)	32 (0.0)	31 (-0.6)	33 (0.6)
	Average Evaporator °F (°C) <sup>2</sup>	26 (-3.3)	23 (-5.0)	27 (-2.8)
	Parallel Btu/hr/case (Watts/case) <sup>4</sup>	10221 (2995)	10358 (3036)	10148 (2974)
	Conventional Btu/hr/case (Watts/case) <sup>4</sup>	11150 (3268)	11300 (3312)	11070 (3244)
Fan Speed <sup>5</sup>	ID5SLO90X (8.25")	1600 <sup>5</sup>	1600 <sup>5</sup>	1600 <sup>5</sup>

#### Notes:

- All data based on store temperature and humidity that does not exceed NSF Type 1 ambient conditions of 75°F and 55% relative humidity except where noted.
- Average evaporator temperature shown. Use dew point for high glide refrigerants for unit sizing. Care should be taken to use the dew point in PT tables for measuring and adjusting superheat. Adjust evaporator pressure as needed to maintain discharge air temperature shown.
- AHRI 1200 Rating Point for energy consumption comparison only.
- Add 10 Btu/hr/case (2.9 Watts/case) per shelf row for LED shelf light fixtures.
- Some lengths and/or applications require optional fan speed control kits applied by the Hussmann Product Configurator.

### Defrost Data

Frequency (hours between defrost) 4

**OFFTIME** ID5SLO90X  
Time (minutes) 20

**ELECTRIC OR GAS** Not Available

**Defrost Water** <sup>6</sup> 92.2 lb/day  
(41.8 kg/day)

<sup>6</sup> (± 15% based on case configuration and product loading).

### Conventional Controls

ID5SLO90X  
**Low Pressure Backup  
Control CI/CO** <sup>7</sup>  
20°F / 10°F  
-6.67°C / -12.2°C

**Indoor Unit Only,  
Pressure Defrost  
Termination** <sup>7</sup>  
48°F (8.89°C)

<sup>7</sup> Use a Temperature Pressure Chart to determine PSIG conversions.

**Estimated Charge** <sup>8</sup> ID5SLO90X  
O90X 1.2 lb 19.2 oz 0.6 kg

<sup>8</sup> This is an average for all refrigerant types. Actual refrigerant charge may vary by approximately half a pound.

### Product Data

**Gross Refrigerated Volume** <sup>9</sup> (Cu Ft) 87.74 ft<sup>3</sup> (2.48 m<sup>3</sup>)

**AHRI Total Display Area** <sup>10</sup> (Sq Ft) 40.46 ft<sup>2</sup> (3.76 m<sup>2</sup>)

**Shelf Area** <sup>11</sup> (Sq Ft) 85.54 ft<sup>2</sup> (7.95 m<sup>2</sup>)

<sup>9</sup> AHRI Gross Refrigerated Volume: Refrigerated Volume, ft<sup>3</sup> [m<sup>3</sup>]

<sup>10</sup> Computed using AHRI 1200 standard methodology: Total Display Area, ft<sup>2</sup> [m<sup>2</sup>]

<sup>11</sup> Shelf surface area is composed of bottom deck plus standard shelf complement for this model: (5) rows of 22-inch shelves

Insight Multideck Merchandiser, 5 Display Levels,  
Standard Bottom, Low Height Front, Wedge

**Insight ID5SLO90X**  
Dairy / Delicatessen

**DOE 2017**  
Energy Efficiency  
Compliant

Hussmann refrigerated merchandisers configured for sale for use in the United States meet or surpass the requirements of the DOE 2017 energy efficiency standards.

Shelf complement shown as tested:  
  
Five rows of 22-in. shelves spaced equally between bottom display pan and interior top panel.

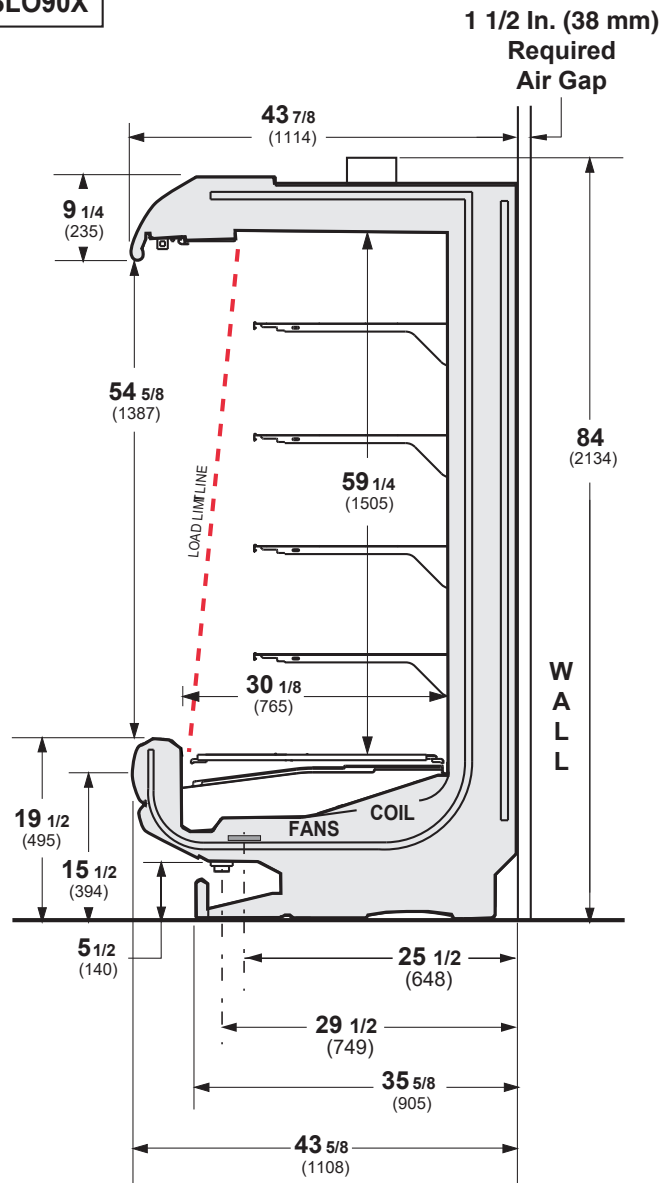
Other optional kits (top piping and vent fans) add to the overall case height.

3-in. between back to back cases.

Shown with Ellipse Option Canopy and Bumper.

Dimensions shown as in. and (mm).

**ID5SLO90X**



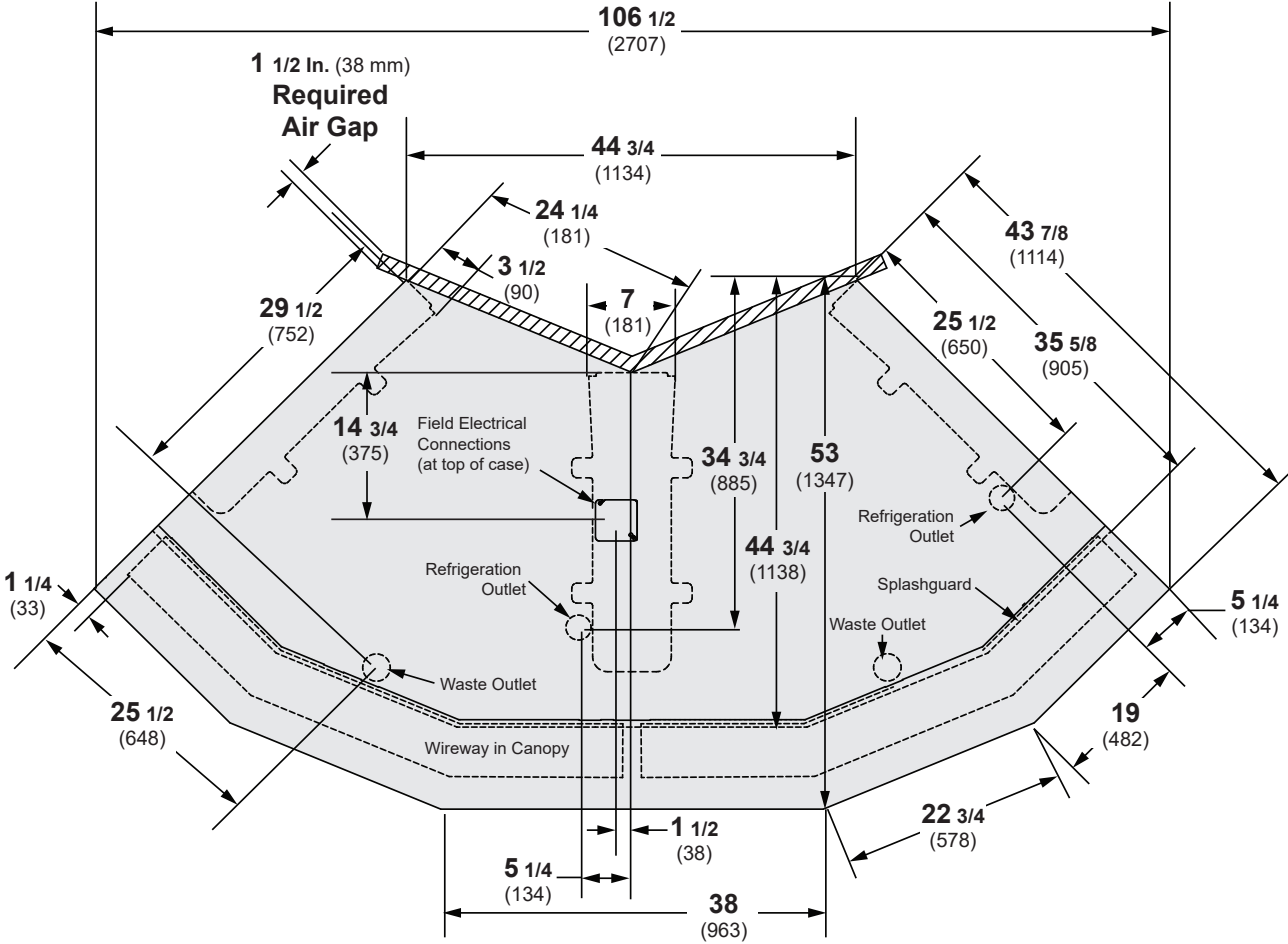
**NSF Certification**

This merchandiser model is manufactured to meet NSF/ANSI (National Sanitation Foundation) Standard #7 requirements for construction, materials and cleanability.

# Engineering Plan View

**ID5SLO90X**

Dimensions shown as in. and (mm).



(ID5SLO90X Wedge shown above)

## Electrical Data

<b>Number of Fans</b>	<b>O90X</b>		
8.25-in.	4		
	<b>Amperes</b>		<b>Watts</b>
<b>Evaporator Fan</b>	<b>O90X</b>		<b>O90X</b>
120V 60Hz Energy Efficient	1.48		108
230V 50/60Hz Energy Efficient	0.78		108
<b>Minimum Circuit Ampacity</b>			
120V 60Hz Energy Efficient	1.68		
230V 50/60Hz Energy Efficient	0.98		
<b>Maximum Over Current Protection 120V</b>	<b>20</b>		
Maximum Over Current Protection 230V	15		

ONLY LIGHTING CONFIGURATIONS THAT ARE COMPLIANT WITH THE **U.S. DEPT. OF ENERGY (DOE) 2017** REGULATION ARE AVAILABLE FOR SALE FOR USE IN THE **U.S.A.**

<b>STANDARD LIGHTING</b>	<b>Amperes</b>	<b>Watts</b>
<b>EcoShine II Canopy</b>	<b>O90X</b>	<b>O90X</b>
1 Row EcoShine II	0.32	38.6

<b>OPTIONAL LIGHTING</b>		
<b>EcoShine II Canopy</b>		
1 Row of EcoShine II HO	0.44	53.0

<b>OPTIONAL LIGHTING</b>		
<b>EcoShine II Shelf</b>		
1 Row of Shelves	0.08	9.9
2 Rows of Shelves	0.16	19.8
3 Rows of Shelves	0.25	29.7
4 Rows of Shelves	0.33	39.5
5 Rows of Shelves	0.41	49.4
6 Rows of Shelves	0.49	59.3

<b>EcoShine II Rail Light</b>		
1 Row	0.13	15.6

120V Lighting Circuit Total = Standard Lighting + Total Optional Lighting + Optional Shelf Lighting

230V Lighting Circuit Total = Multiply 120V Lighting Circuit Total by 0.52

**Insight ID5SLO90X**  
Dairy / Delicatessen

**PHYSICAL DATA**

Merchandiser Drip Pipe (in.)	1 1/4
Schedule 40 PVC	
Merchandiser Liquid Line (in.)	3/8
Merchandiser Suction Line (in.)	5/8

**ESTIMATED SHIPPING WEIGHT †**

**Case**

**O90X**

**lb (kg)**

1300 (591)

† Actual weights will vary according to optional kits included.

---

**Shelf Options**

Approved shelf sizes for standard (horizontal, 2-3 position brackets) displays:

18-inch  
20-inch  
22-inch  
24-inch

Contact engineering for non-standard (4 position brackets or other) display recommendations.

Minimum number of Shelves: 3

Optimal number of Shelves: 4

Maximum number of Shelves: 8

Maximum number of Lighted Shelves: 6

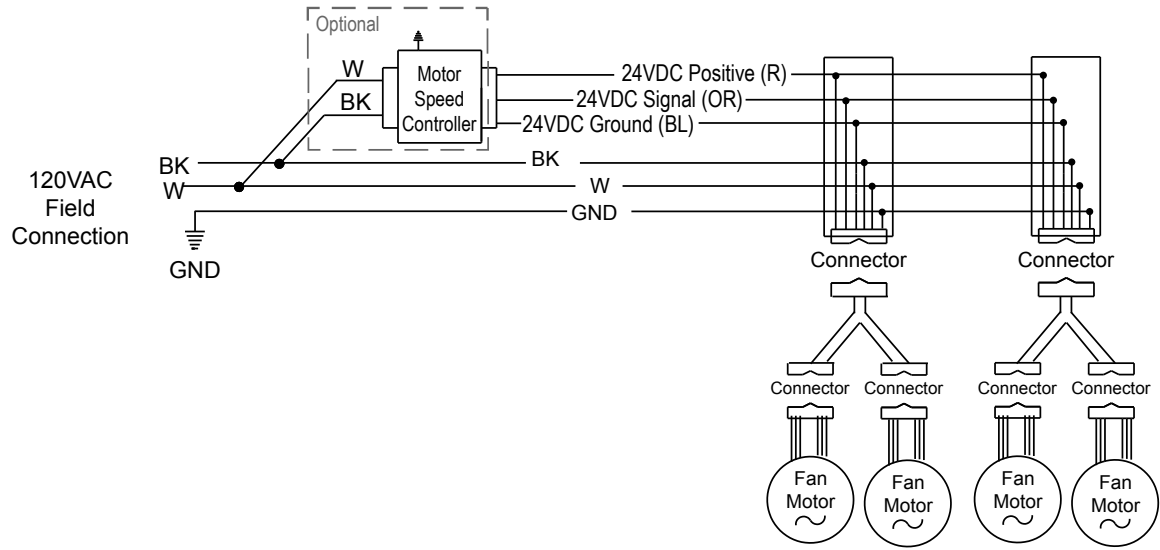
Standard shelf complement for test purposes: (5) 22-in. shelves, evenly distributed vertically

### Replacement Parts List

Part #	Description	Part #	Description
<b>FAN ASSEMBLIES</b>		<b>COILS</b>	
<b>O90X</b>			
<b>Standard HE Fan Assembly</b>		0547193	O90X
0535563	8.25-in. Fan Assembly	<b>HONEYCOMB - WHITE</b>	
		3036371	Left
		3036372	Right
		3036373	Center (Left/Right)
		3039418	Center
<b>THERMOSTATS</b>		<b>OTHER</b>	
<b>OPTIONAL</b>		0534013	Fan Speed Selector
		0534363	Fan Speed Key 1600 RPM
		Varies	Thermo-expansion Valve
<b>LED FIXTURES AND POWER SUPPLY</b>			
0501213	Power Supply		
	LED Canopy Fixture		
	<i>Replace with like fixtures.</i>		
	LED Shelf Fixture		
	<i>Replace with like fixtures.</i>		
	LED Rail Fixture		
	<i>Replace with like fixtures.</i>		

**NOTE: For LED lighting parts contact your Hussmann service representative at 1-800-922-1919. Please have your model and serial number available. Descriptions including size and color are at [HTTP://WWW.HUSSMANN.COM/EN/PRODUCTS/LED-LIGHTING/PAGES/DEFAULT.ASPX](http://www.hussmann.com/en/products/led-lighting/pages/default.aspx).**

FOR ADDITIONAL PARTS INFORMATION, VISIT  
[HTTP://WWW.HUSSMANN.COM/EN/PAGES/AFTERMARKET-PARTS.ASPX](http://www.hussmann.com/en/pages/aftermarket-parts.aspx)

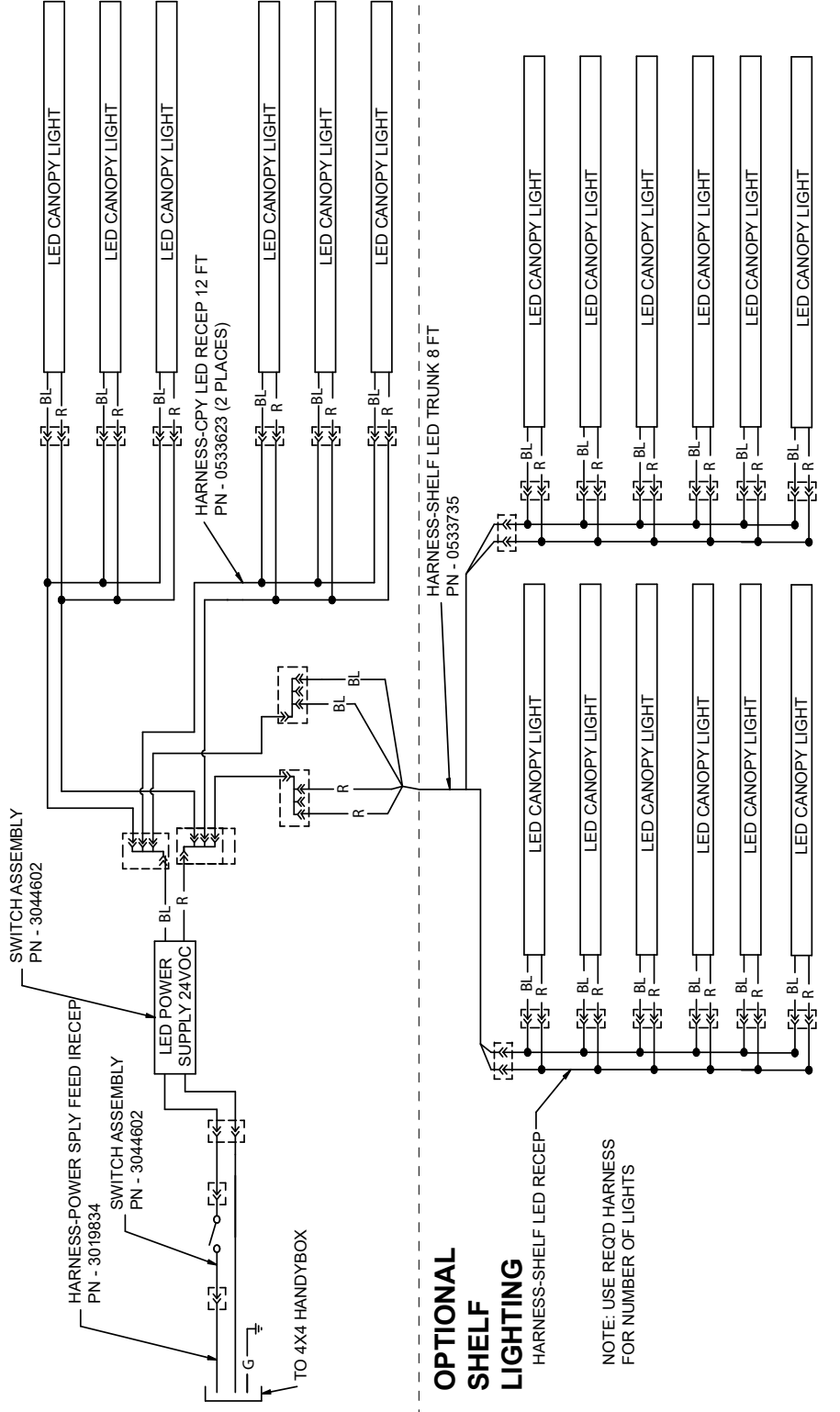


O90X



# LED Canopy Light Circuits

**Insight ID5SLO90X**  
Dairy / Delicatessen



**Insight ID5SLO90X**  
Dairy / Delicatessen

**Estimating Refrigeration and Electrical Load (for comparison purposes only)**

**Case Btu**

To determine Btu for a case, refer to the performance data chart on page 2. Select lit or unlit shelves, then select the type of remote refrigeration system (parallel or conventional), which will give Btu/case. Add 10 BTU/HR/CASE for each row of LED shelf lights.

**Case Electrical**

Refer to store legend to determine number of circuits. Lighting should be specified in store legend.

Fan electrical load for a case is computed by selecting the case length and fan voltage on page 5. The store legend specifies fans on a 230V circuit. In this instance, fans use 0.78 Amps and the MCA is 0.98. When applied, ambient fans, anti-sweat heaters, controllers, etc. must be included in the MCA. Include lights in the MCA if lights are on same circuit.

Lights may be on a separate circuit. To estimate lighting load: select canopy lighting [standard or optional] (here 0.32 for standard), and shelf or rail lighting [maximum for which case is wired] (0.41 for five shelves); then add together  $[0.32 + 0.41 = 0.73 \text{ amps for } 120\text{V}]$  (for 230V, multiply  $0.73 * 0.52 = 0.38$ ).

**Line Sizing — Refer to store legend.**

Hussmann Line Sizing Charts are engineered for use with Hussmann refrigeration equipment.



Scan QR code to  
access product  
information on your  
mobile device.

---

**Revision History**

Revision A: December 2018: Original Issue