

HUSSMANN®

P/N 3069367_A

July 2018

RL, RLN, RLTM

FAN VENTILATION KIT INSTRUCTION

Whenever the condition of a store's ambient air is above the design standard of these merchandisers (75°F; 55% relative humidity) a problem of moisture condensing on the merchandiser's exterior back surfaces can occur. To eliminate this problem, air must be forced through the open area behind the merchandiser to "wipe" the surface dry. This kit is designed for that purpose.

Connect the fan kit to an electrical power supply and close-off the open areas at the end of the merchandiser or merchandiser lineup.



NOTES:

Be sure Merchandisers have been leveled according to the installation instructions under Leveling.

Before installing this kit, make certain that there is A MINIMUM 4-INCH CLEARANCE between the back of the merchandiser and the wall.

If merchandisers have been installed back-to-back in a lineup, make certain that there is:

A 4-INCH CLEARANCE between the merchandisers.

IF MERCHANDISER BACKS TO WALL:

Place Fan Ventilation Assembly on top of the merchandiser and covering the 4-inch gap between the merchandiser and the wall as shown in Figure 1a.

IF MERCHANDISERS ARE BACK-TO-BACK:

Place Fan Ventilation Assembly on center between tops bridging the 4 inch gap between the merchandisers as shown in Figure 1b.

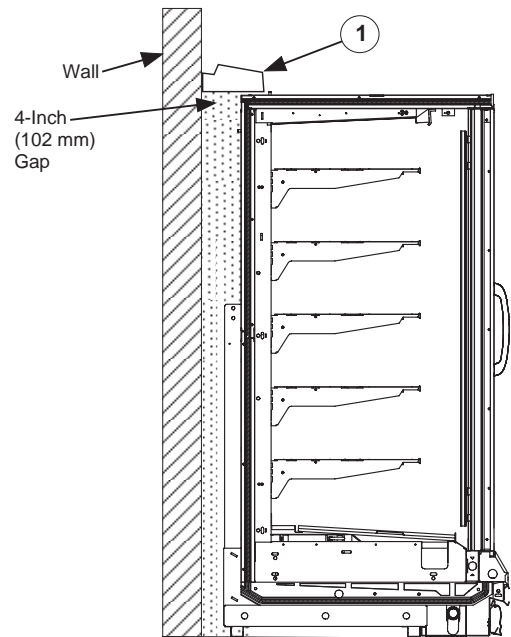


Figure 1A
Merchandiser Against the Wall

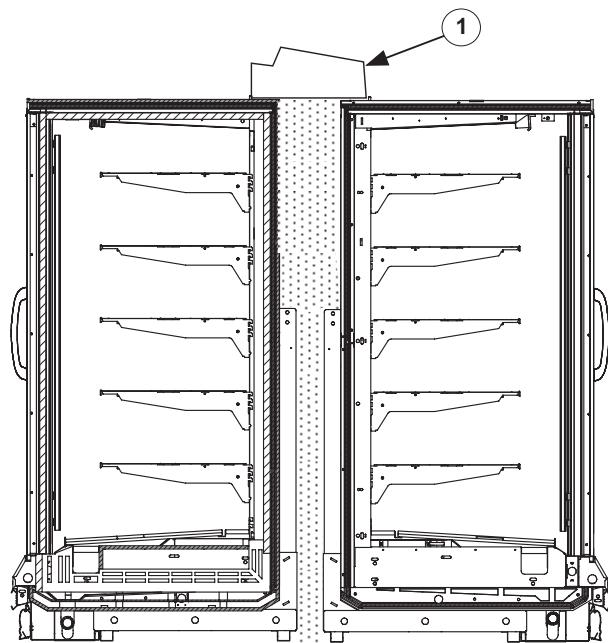
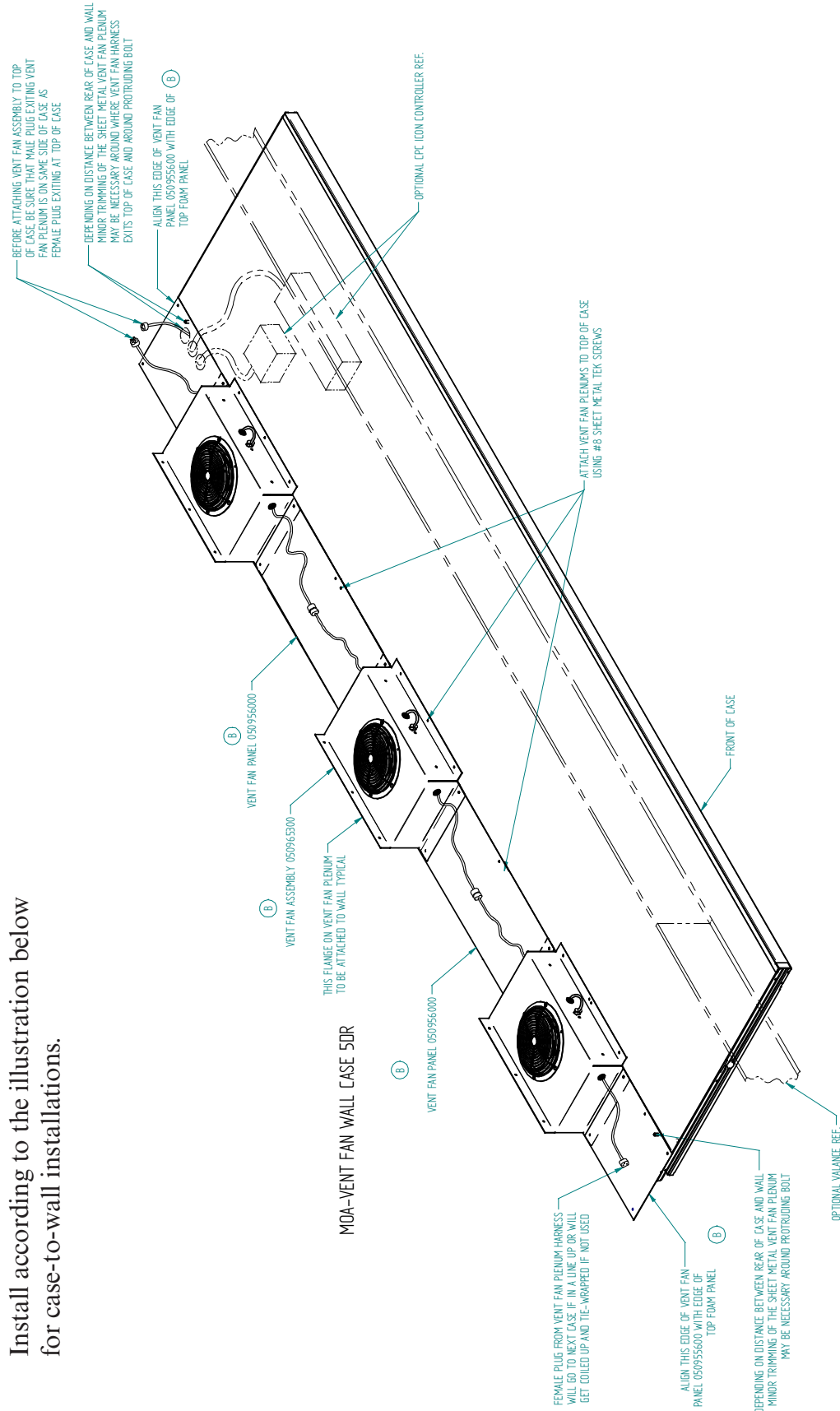


Figure 1B
Merchandisers Back-to-Back

Install according to the illustration below for case-to-wall installations.

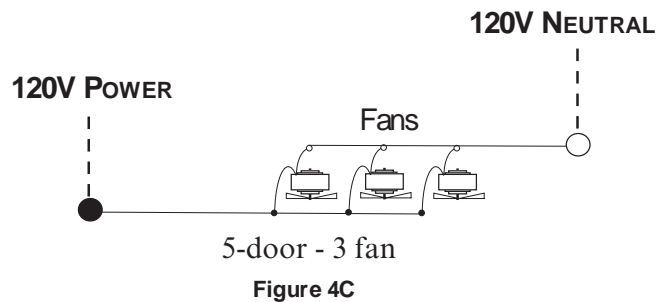
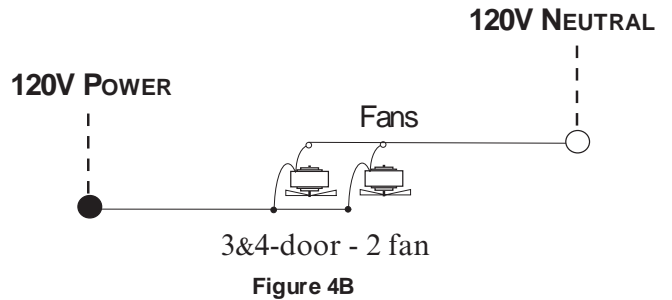
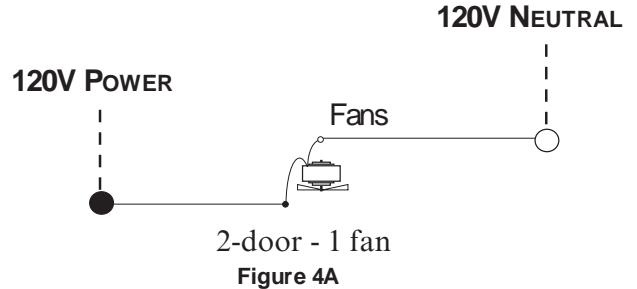


Connect the Fan Vent Assembly to a 120 volt power supply (230 volt, 50Hz for EW54-57

NOTE: All wiring must be in accordance with all applicable electrical codes.

Close off the open area at the ends of the merchandiser or merchandiser lineup from the top of the case to the floor line. Materials are not provided.

Serial Plate Amperages			
	Number of Fans	Amps	Watts
2-Door	1	0.3	18
3-Door	2	0.6	36
4-Door	2	0.6	36
5-Door	3	0.9	54



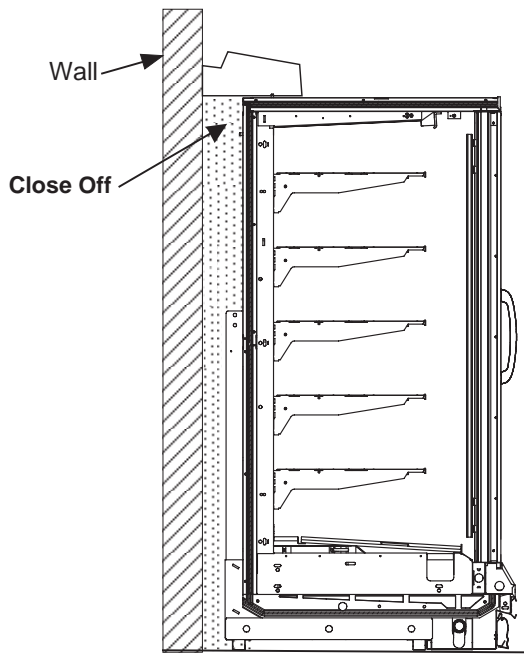


Figure 1A
Merchandiser Against the Wall

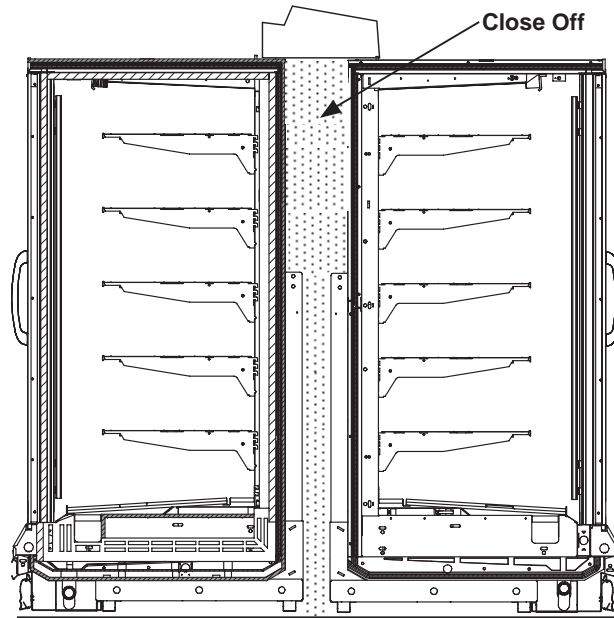


Figure 1B
Merchandisers Back-to-Back

Fan Blade and Motor Replacement Parts	
Kit Nomenclature	Description and Part Number
LE 20-23 (case to case) LE 24-27 (wall case)	Fan Motor 0527610 & Fan Blade 0463643
TJ00-03 Reversing (Downflow Case-to-Case) TJ04-07 Reversing (Downflow Wall Case)	Fan Motor 0527610 & Fan Blade 0141071
EW54-57 230V / 50Hz	Fan Motor 0440442 & Fan Blade 0141073



HUSSMANN[®]

**To obtain warranty information
or other support, contact your
Hussmann representative.
Please include the model and
serial number of the product.**

Hussmann Corporation, Corporate Headquarters: Bridgeton, Missouri, U.S.A. 63044-2483 01 October 2012

Husmann Corporation

12999 St. Charles Rock Road
Bridgeton, MO 63044-2483
www.husmann.com