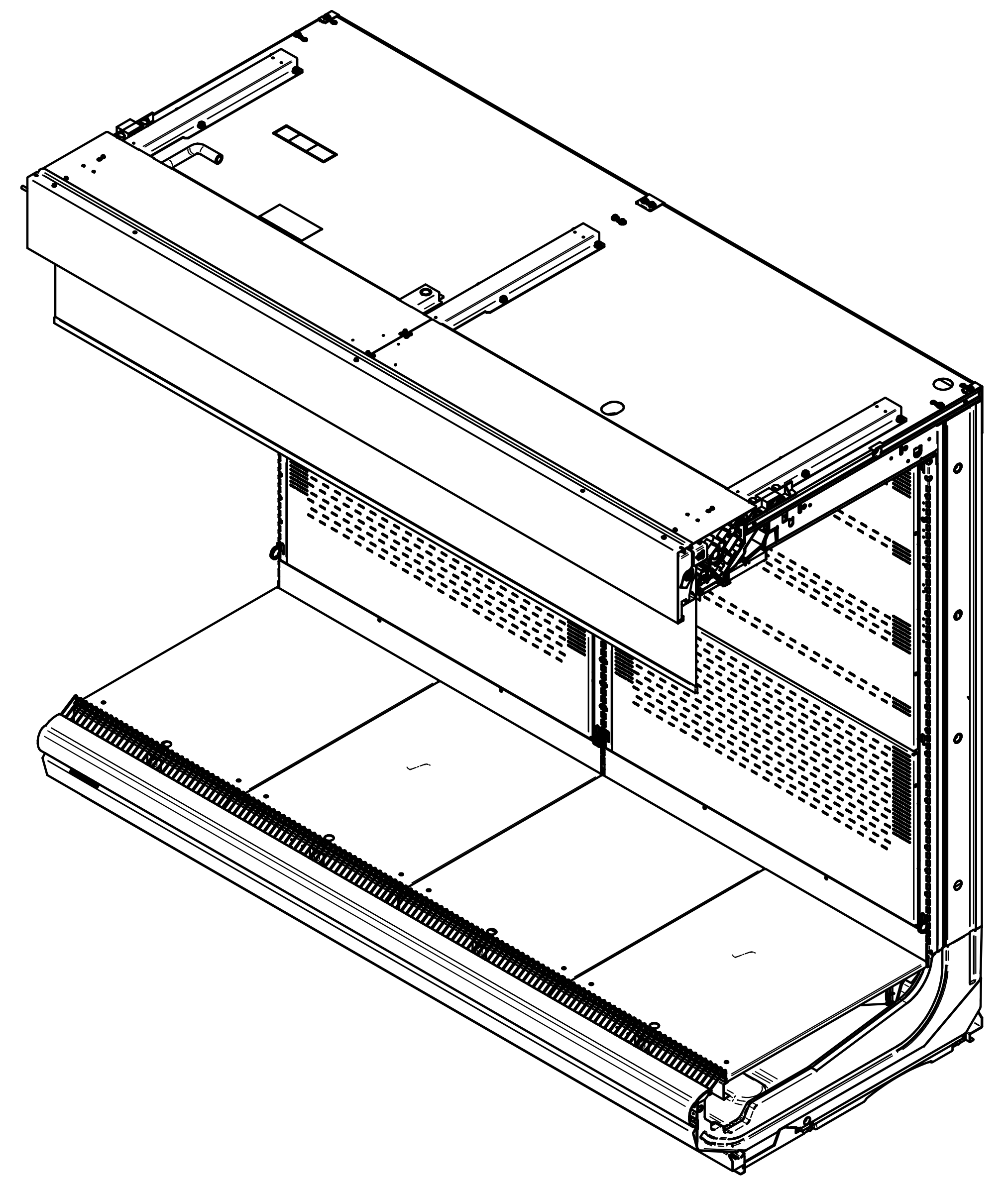
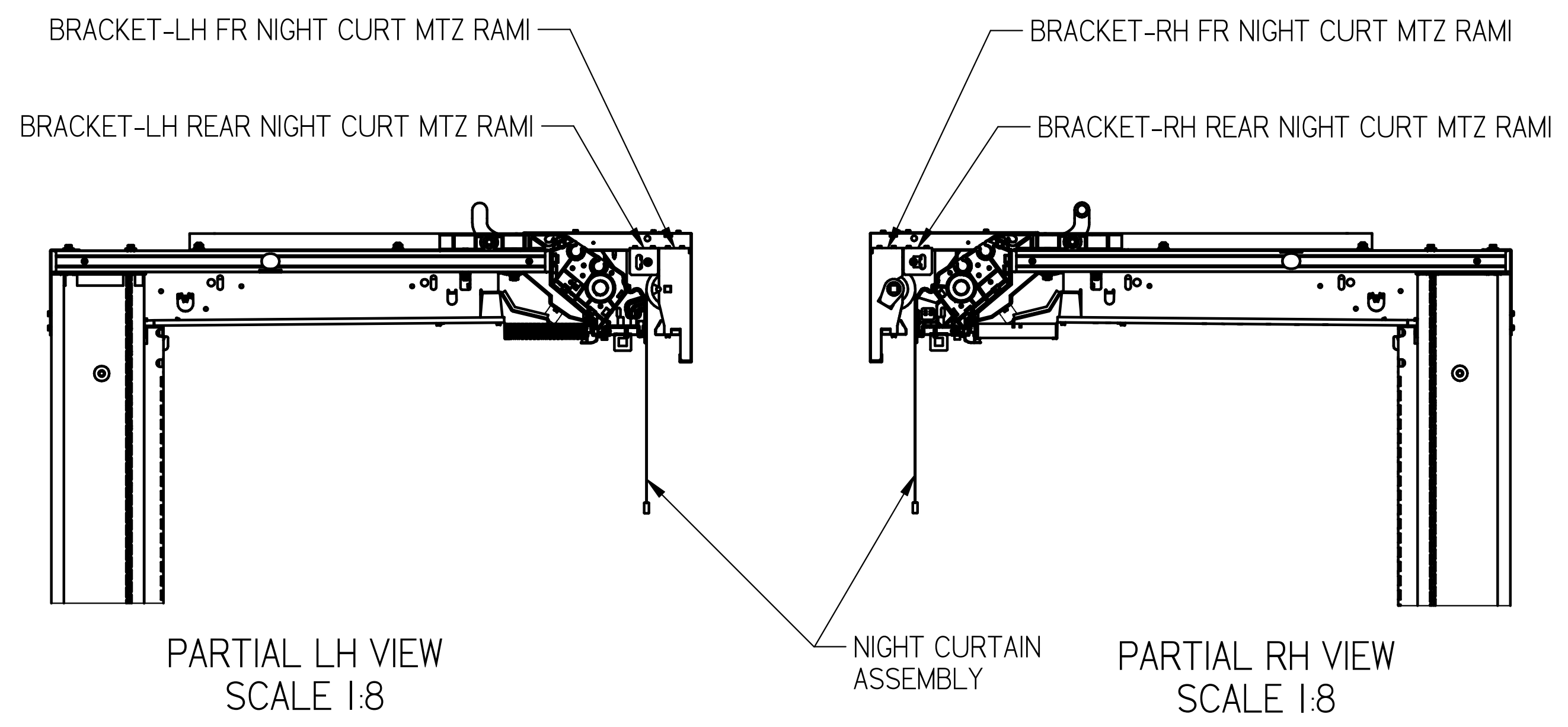

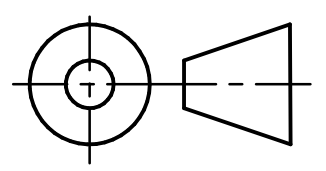


REVISION HISTORY						
REV	ECN	DATE	REVISION DESCRIPTION	REV BY	CHKD BY	APPR BY
A	ECN-NPD-0002587	2019/09/16	RELEASED TO PRODUCTION	LNL	SNAIK	ACB

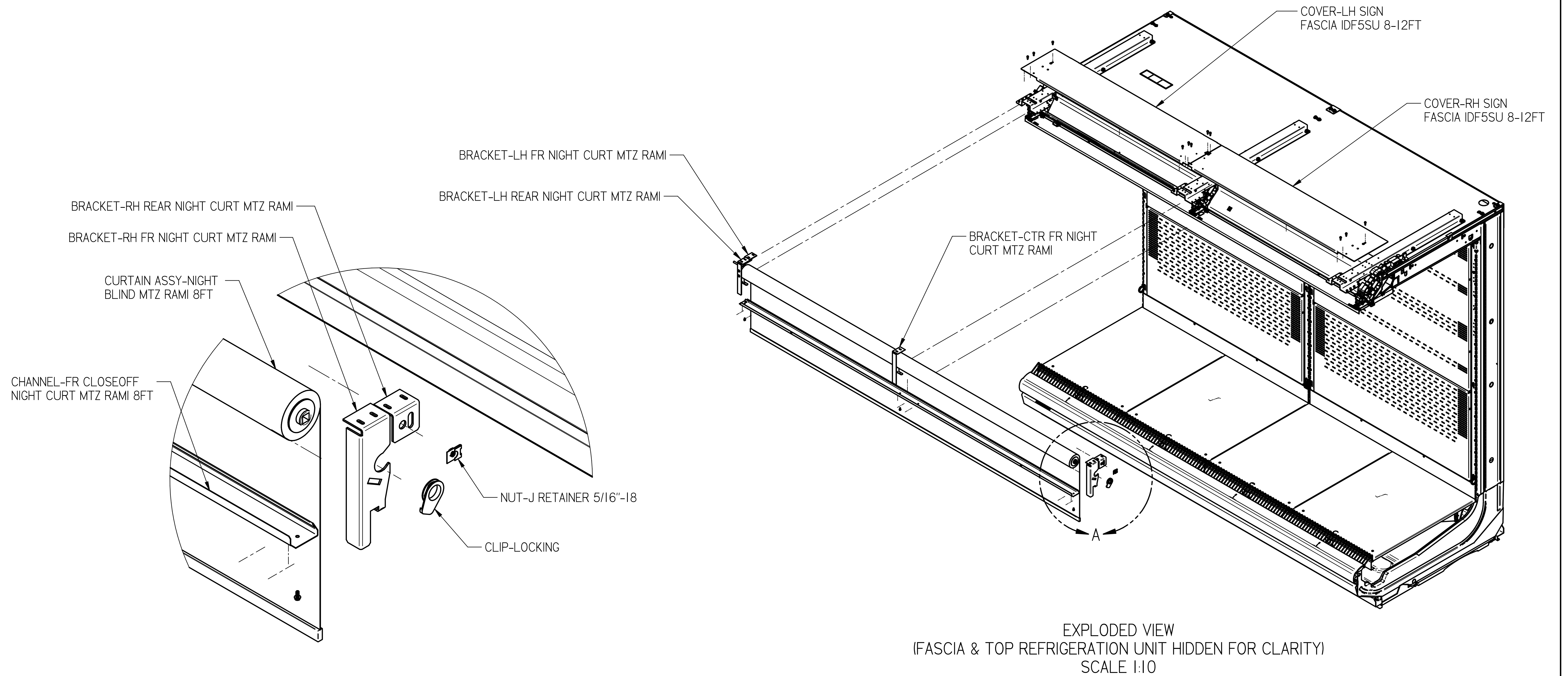


ISOMETRIC VIEW
(TOP REFRIGERATION UNIT HIDDEN FOR CLARITY)
SCALE 1:10

- NOTES:
1. APPLICABLE STANDARDS / SPECIFICATIONS
ASME Y14.5M-1994, DIMENSIONS AND TOLERANCES
 2. KEY PRODUCT CHARACTERISTICS PER EPR-0006 & IDENTIFIED WITH SYMBOL 
 3. MATERIAL- NA
 4. REF 3028499
 5. SEE ERD-0002 INSIGHT NAMING CONVENTION FOR NOMENCLATURE ABBREVIATIONS.


UNLESS OTHERWISE SPECIFIED DIMENSIONS ARE IN INCHES.	HUSSmann®	
	INSTRUCTION-NIGHT CURT MTZ IDF5SU	
 THIRD ANGLE PROJECTION	P/N	3107170
	SHEET 1 OF 3	REV A

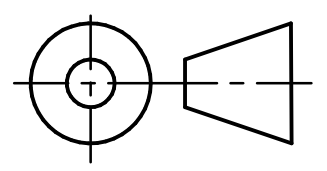
GDF 3.0 SHEET SIZE D



DETAIL A
SCALE 1:2.67

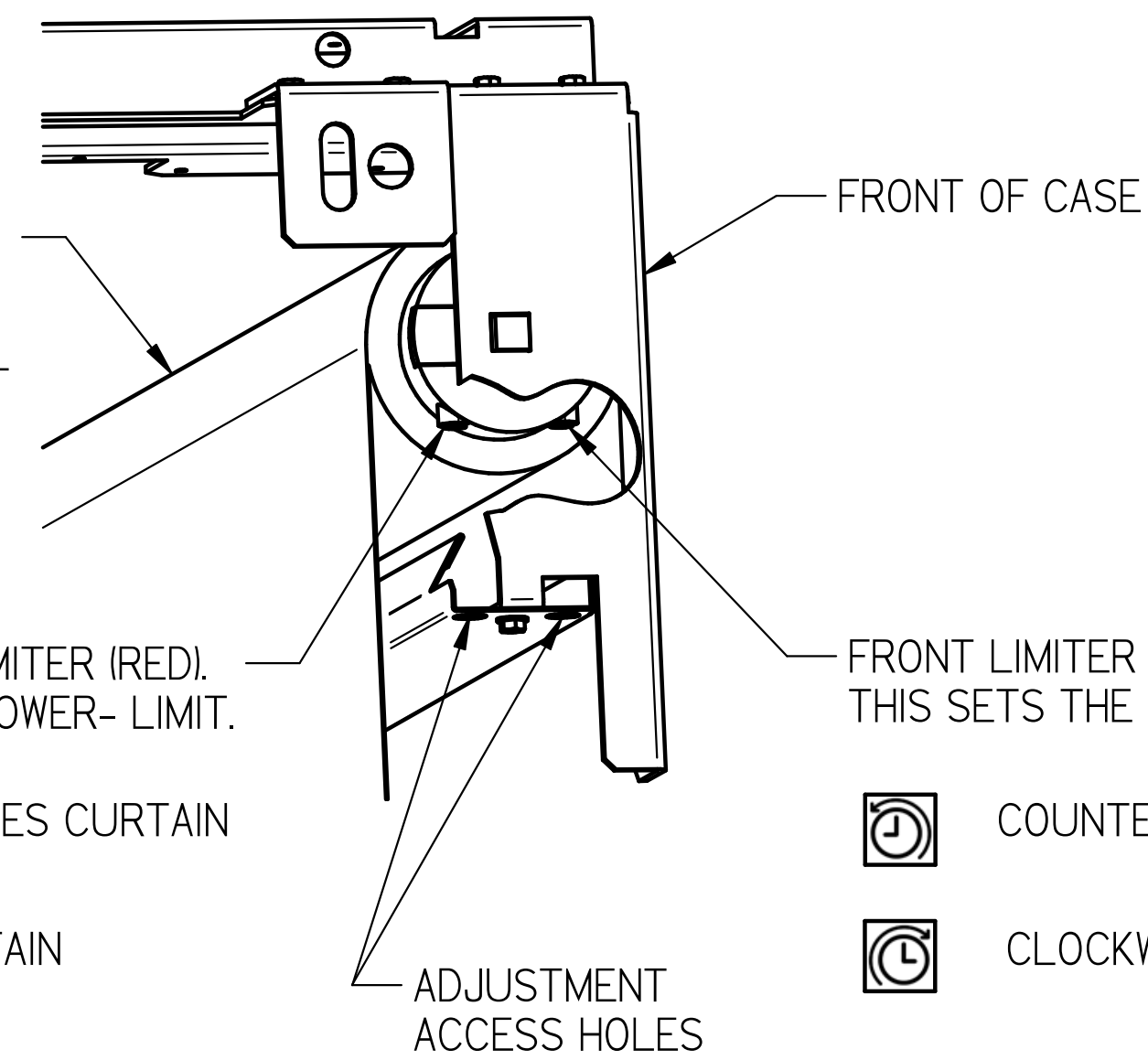
EXPLODED VIEW
(FASCIA & TOP REFRIGERATION UNIT HIDDEN FOR CLARITY)
SCALE 1:10

- NOTES:
1. APPLICABLE STANDARDS / SPECIFICATIONS
ASME Y14.5M-1994, DIMENSIONS AND TOLERANCES
 2. KEY PRODUCT CHARACTERISTICS PER EPR-0006 & IDENTIFIED WITH SYMBOL 
 3. MATERIAL - NA
 4. REF 3028499
 5. SEE ERD-0002 INSIGHT NAMING CONVENTION FOR NOMENCLATURE ABBREVIATIONS.

UNLESS OTHERWISE SPECIFIED DIMENSIONS ARE IN INCHES.	HUSSmann®	
	INSTRUCTION-NIGHT CURT MTZ IDF5SU	
 THIRD ANGLE PROJECTION	P/N	REV
SHEET 2 OF 3	3107170	A

GDF 3.0 SHEET SIZE D

NIGHT CURTAIN ASSEMBLY
 (NOTE: POSITION NIGHT CURTAIN AS SHOWN SO ACCESS TO LIMITERS IS POSSIBLE THROUGH ADJUSTMENT ACCESS HOLES)



COUNTER CLOCKWISE=RAISES CURTAIN

CLOCKWISE=LOWERS CURTAIN

COUNTER CLOCKWISE=LOWERS CURTAIN

CLOCKWISE=RAISES CURTAIN

BROKEN-OUT SECTION VIEW

REQUIRED TOOLS:
 4MM HEX KEY -OR- LIMIT ADJUSTMENT TOOL PROVIDED WITH NIGHT CURTAIN

DO NOT USE POWER DRILL TO ADJUST LIMITS, DAMAGE MAY RESULT

ADJUSTING LOWER LIMIT

1. TO CLOSE CURTAIN, CLOSE DIGITAL INPUT CONTACTS 18 AND 19 USING JUMPER OR WIRE TO BRIDGE TERMINALS.
2. ADJUST THE REAR (RED) LIMITER CLOCKWISE TO LOWER CURTAIN. WHEN YOU START TO ROTATE CLOCKWISE EVENTUALLY THE CURTAIN WILL START TO BUMP DOWN SLOWLY. CONTINUE UNTIL DESIRED CLOSED POSITION IS REACHED.
3. DO NOT LET CURTAIN ALUMINUM BOTTOM TRIM TOUCH THE HANDRAIL. IT SHOULD BE 1/8" TO 1/4" ABOVE THE HANDRAIL.
4. CURTAIN LOWER LIMIT IS NOW SET.

ADJUSTING UPPER LIMIT

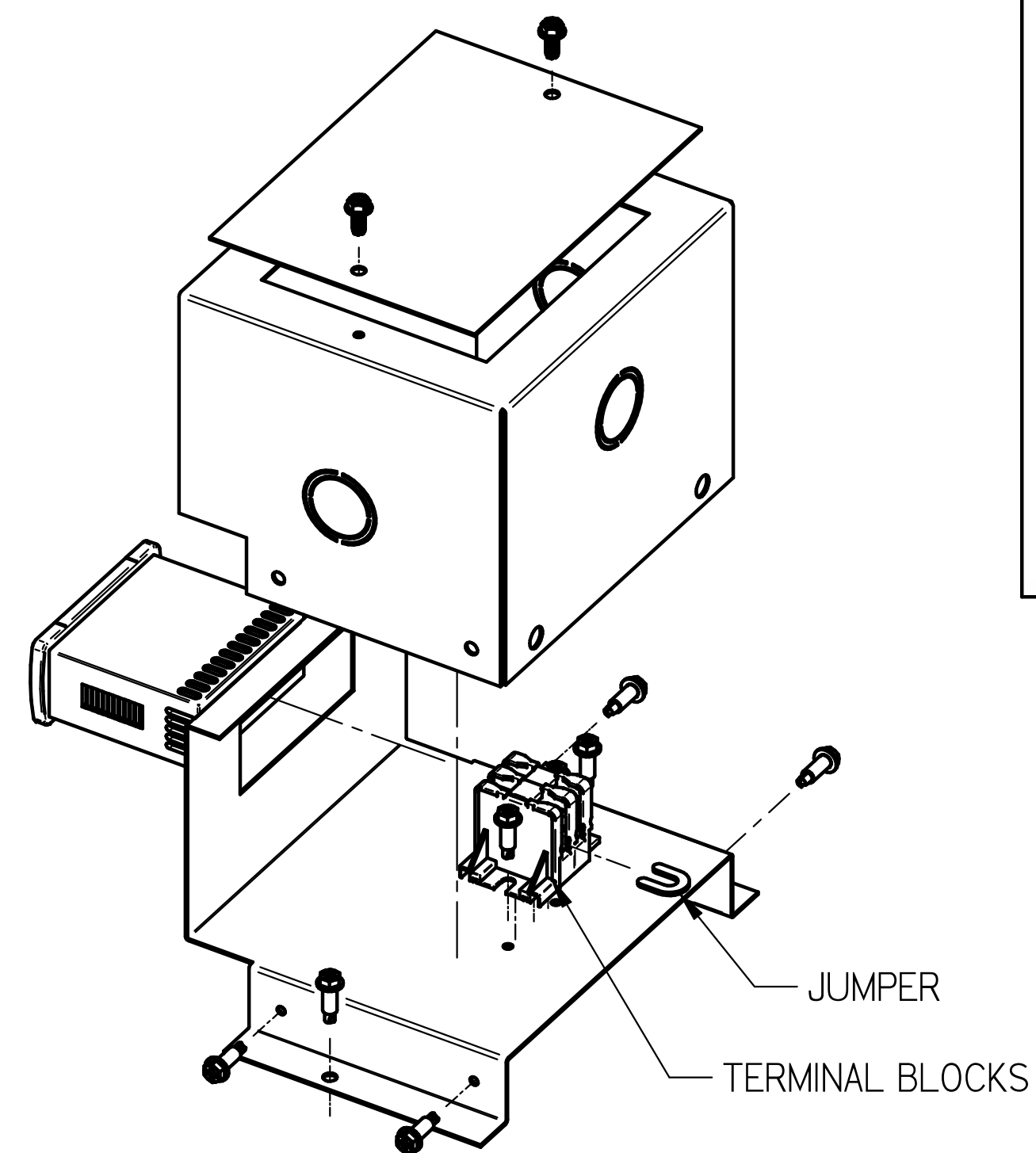
5. TO OPEN CURTAIN, OPEN DIGITAL INPUT CONTACTS 18 AND 19 BY REMOVING TERMINAL BLOCK JUMPER OR WIRE.
6. WAIT FOR CURTAIN TO STOP. IF CURTAIN STOPS BEFORE DESIRED UPPER LIMIT, CONTINUE WITH STEP 7. IF CURTAIN TRAVELS PAST THE DESIRED UPPER LIMIT, SKIP TO STEP 9.
7. ADJUST FRONT (WHITE) LIMITER CLOCKWISE TO RAISE CURTAIN. WHEN YOU START TO ROTATE CLOCKWISE EVENTUALLY THE CURTAIN WILL START TO BUMP UP SLOWLY. CONTINUE TO ADJUST UNTIL DESIRED UPPER LIMIT IS REACHED.
8. RETEST OPEN/CLOSED AND MAKE ADJUSTMENTS AS NECESSARY.

IF CURTAIN TRAVELS PAST THE DESIRED UPPER LIMIT:

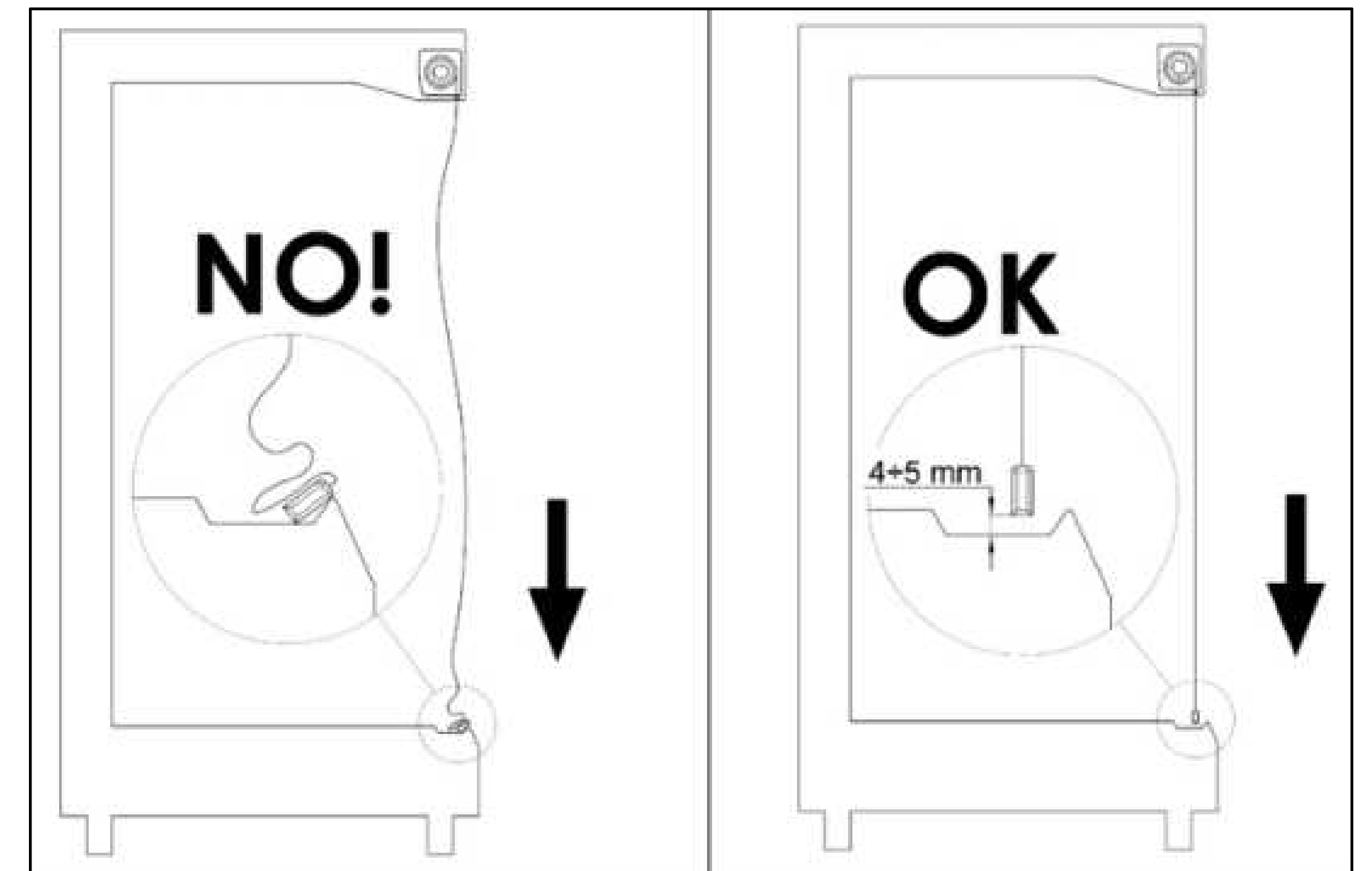
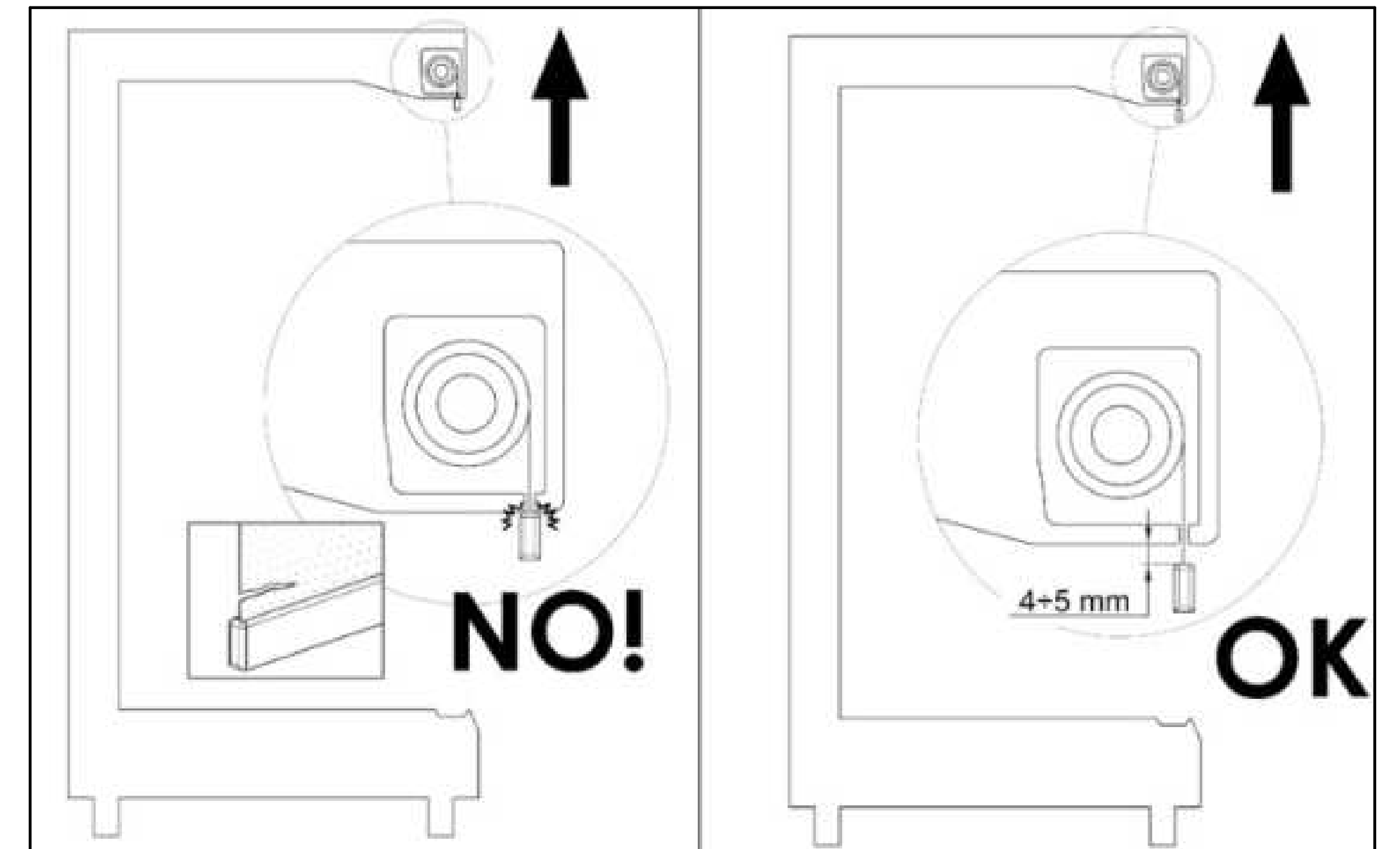
9. CLOSE DIGITAL INPUT CONTACTS 18 AND 19 USING JUMPER OR WIRE TO BRIDGE TERMINALS.
10. WITH CURTAIN DOWN, ROTATE THE WHITE (FRONT) ADJUSTER COUNTER CLOCKWISE 1080° (3 FULL ROTATIONS).
11. OPEN DIGITAL INPUT CONTACTS BY REMOVING TERMINAL BLOCK JUMPER OR BRIDGE WIRE.
12. WAIT FOR CURTAIN TO STOP. IF CURTAIN STOPS BEFORE DESIRED UPPER LIMIT, CONTINUE WITH STEP 13. IF CURTAIN TRAVELS PAST THE DESIRED UPPER LIMIT, REPEAT STEPS 9-12.
13. ADJUST WHITE (FRONT) LIMITER CLOCKWISE TO RAISE CURTAIN. WHEN YOU START TO ROTATE CLOCKWISE EVENTUALLY THE CURTAIN WILL START TO BUMP UP SLOWLY. CONTINUE TO ADJUST UNTIL DESIRED UPPER LIMIT IS REACHED.
14. RETEST OPEN/CLOSED AND MAKE ADJUSTMENTS AS NECESSARY.
15. REMOVE JUMPER AFTER ADJUSTMENTS ARE COMPLETE.

NOTES:

1. APPLICABLE STANDARDS / SPECIFICATIONS ASME Y14.5M-1994, DIMENSIONS AND TOLERANCES
2. KEY PRODUCT CHARACTERISTICS PER EPR-0006 & IDENTIFIED WITH SYMBOL
3. MATERIAL - NA
4. REF 3028499
5. SEE ERD-0002 INSIGHT NAMING CONVENTION FOR NOMENCLATURE ABBREVIATIONS.



CONTROLLER BOX
 EXPLODED VIEW
 SCALE 1:2



REGULATION OF UPPER STROKE-END

UNLESS OTHERWISE SPECIFIED DIMENSIONS ARE IN INCHES.	HUSSmann®	
	INSTRUCTION-NIGHT CURT MTZ IDF5SU	
	THIRD ANGLE PROJECTION	
SHEET 3 OF 3	PIN 3107170	REV A

GDF 3.0 SHEET SIZE D