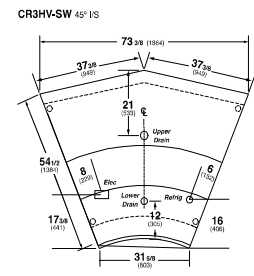
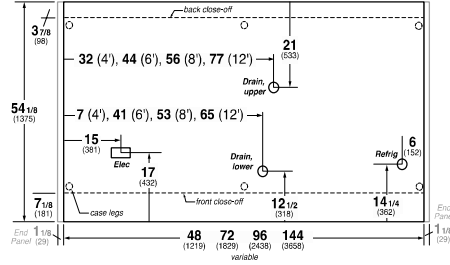
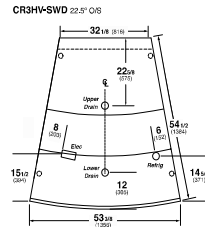
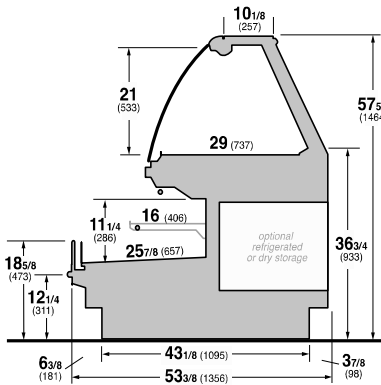




**HIGH VOLUME DELI SERVICE - SELF SERVICE**  
**HUSSMANN - R3HV-SWD / CR3HV-SWD (CHINO)**

Hussmann refrigerated merchandisers configured for sale for use in the United States meet or surpass the requirements of the DOE 2012 energy efficiency standards.

**CR3HV-SWD Curved Glass**  
 High Volume Service Dome, Wide Multi-Deck Self Service



Note: Only (1) 10" shelf is available with flat front glass.

**REFRIGERATION DATA:**

CASE LENGTH	CASE USAGE	CAPACITY (BTU/HR TOTAL)		TEMPERATURE (°F)										EST. REFR. CHRG. †	GLYCOL TOP REQUIREMENTS		GLYCOL FRONT REQUIREMENTS	
		PAR	CONV	EVAPORATOR		UNIT SIZING*		DISCHARGE AIR TOP / FRONT		VELOCITY TOP / FRONT		(LBS)	GPM		PSI	GPM	PSI	
				PAR	CONV	PAR	CONV	PAR	CONV	PAR	CONV							(FT/MIN)
4'	DELI	3860	4439	20 TOP/20 FRONT	20 TOP/20 FRONT	18	18	24 / 32	24 / 32	150 ~ 200	1.07	0.20	0.40	1.10	5.70			
5'	DELI	4825	5549	20 TOP/20 FRONT	20 TOP/20 FRONT	18	18	24 / 32	24 / 32	150 ~ 200	1.36	0.30	0.70	1.40	3.20			
6'	DELI	5790	6659	20 TOP/20 FRONT	20 TOP/20 FRONT	18	18	24 / 32	24 / 32	150 ~ 200	1.49	0.40	1.30	1.60	3.60			
8'	DELI	7720	8878	20 TOP/20 FRONT	20 TOP/20 FRONT	18	18	24 / 32	24 / 32	150 ~ 200	2.00	0.60	2.40	2.10	6.40			
10'	DELI	9650	11098	20 TOP/20 FRONT	20 TOP/20 FRONT	18	18	24 / 32	24 / 32	150 ~ 200	2.54	0.70	2.80	2.80	4.00			
12'	DELI	11580	13317	20 TOP/20 FRONT	20 TOP/20 FRONT	18	18	24 / 32	24 / 32	150 ~ 200	3.10	0.90	5.70	3.20	7.00			
22.5OS	DELI	2000	2300	20 TOP/20 FRONT	20 TOP/20 FRONT	18	18	24 / 32	24 / 32	150 ~ 200	0.69	0.20	0.90	0.50	2.20			
45IS	DELI	3895	4479	20 TOP/20 FRONT	20 TOP/20 FRONT	18	18	26 / 32	26 / 32	150 ~ 200	0.86	0.40	0.70	1.00	5.80			

\*2° F less than evaporator for pressure loss in refrigerant lines

**END PANEL WIDTH KEY**

# OF END PNL'S	END PNL WIDTH (IN.)	TOTAL ADDED LENGTH (IN.)
1	1.125	1.125
2	1.125	2.25

LEGEND		
PAR-	PARALLEL	
CONV-	CONVENTIONAL	
N/A -	NOT AVAILABLE	
TBD -	TO BE DETERMINED	
A/S-	AIRSWEEP	

**REFRIGERATION DATA CONTINUED:**

ELEC. THERMOSTAT / AIR SENSOR SETTINGS			EPR SETTINGS		
USAGE	CUT IN (°F) TOP/FRONT	CUT OUT (°F) TOP/FRONT	R22 (PSIG)	R404A (PSIG)	R134A (PSIG)
ST/22.5 OS	26/34	22/30	43.10	56.60	18.40
45 IS	28/34	24/30	43.10	56.60	18.40

**\*\*\* REFRIGERATION NOTES:**

- 1) LISTED BTUS ARE FOR CASE WITH NO LIGHTS
- 2) ADD 10 BTU'S PER FOOT/PER SHELF FOR LED SHELF LIGHTS

**ELECTRICAL DATA:**

CASE LENGTH	# OF FANS PER CASE	TOTAL EVAPORATOR FANS EE		DRAIN PAN HEATERS		CANOPY LIGHTS LED TOP & FRONT		SHELF LIGHTS LED (OPTIONAL) EACH ROW			NOSE LIGHTS		LEDGE LIGHTS (OPTIONAL)		TOTAL LIGHTS LED INCLUDES 1 ROW OF SHELVES		ANTI-SWEAT HEATERS (On Evap. Fan Circuit)			
		AMPS	WATTS	AMPS	WATTS	AMPS	WATTS	# SHLV'S	AMPS	WATTS	AMPS	WATTS	AMPS	WATTS	AMPS	WATTS	TOP ARM HTR'S		AIR SWEEP HTR	
																	AMPS	WATTS	AMPS	WATTS
4'	3	0.36	21.00	N/A	N/A	0.28	30.00	1	0.11	12.00	N/A	N/A	N/A	N/A	0.39	42.00	N/A	N/A	1.25	150.00
5'	4	0.48	28.00	N/A	N/A	0.42	45.00	1	0.14	15.00	N/A	N/A	N/A	N/A	0.56	60.00	N/A	N/A	1.58	190.00
6'	4	0.72	42.00	N/A	N/A	0.50	54.00	2	0.17	18.00	N/A	N/A	N/A	N/A	0.67	72.00	N/A	N/A	1.88	225.00
8'	6	0.72	42.00	N/A	N/A	0.66	72.00	2	0.22	24.00	N/A	N/A	N/A	N/A	0.89	96.00	N/A	N/A	2.50	300.00
10'	8	0.96	56.00	N/A	N/A	0.84	90.00	3	0.28	30.00	N/A	N/A	N/A	N/A	1.11	120.00	N/A	N/A	3.13	375.00
12'	9	1.08	63.00	N/A	N/A	0.99	108.00	3	0.33	36.00	N/A	N/A	N/A	N/A	1.32	144.00	N/A	N/A	3.75	450.00
22.5OS	2	0.24	14.00	N/A	N/A	0.19	21.00	1	0.08	8.80	N/A	N/A	N/A	N/A	0.27	29.80	N/A	N/A	1.30	150.00
45IS	4	0.48	28.00	N/A	N/A	0.20	22.00	1	0.05	6.00	N/A	N/A	N/A	N/A	0.26	28.00	N/A	N/A	1.90	220.00

**ELECTRICAL DATA CONTINUED:**

CASE LENGTH	CONDENSING UNIT 208V 1 PHASE		CONVENIENCE (Optional)		OUTLETS	
	AMPS	WATTS	# OUTLETS	VOLTS	AMPS	
4'	N/A	N/A	1	115	15	
5'	N/A	N/A	1	115	15	
6'	N/A	N/A	1	115	15	
8'	N/A	N/A	1	115	15	
10'	N/A	N/A	1	115	15	
12'	N/A	N/A	2	115	30	
22.5OS	N/A	N/A	N/A	N/A	N/A	
45IS	N/A	N/A	N/A	N/A	N/A	

**DEFROST DATA:**

CASE LENGTH	DEFROST TYPE	TIME (MIN.)	TERM. TEMP (°F) TOP/FRONT	DRIP TIME (MIN.)	DEFROST DAY	PER	ELECTRICAL DEFROST 208V 1 PHASE		DEFROST WATER (LB/DAY)	
							AMPS	WATTS		
4'	OFF TIME	30	38/50	TBD	4		N/A	N/A	TBD	TBD
5'	OFF TIME	30	38/50	TBD	4		N/A	N/A	TBD	TBD
6'	OFF TIME	30	38/50	TBD	4		N/A	N/A	TBD	TBD
8'	OFF TIME	30	38/50	TBD	4		N/A	N/A	TBD	TBD
10'	OFF TIME	30	38/50	TBD	4		N/A	N/A	TBD	TBD
12'	OFF TIME	30	38/50	TBD	4		N/A	N/A	TBD	TBD
22.5OS	OFF TIME	30	38/50	TBD	4		N/A	N/A	TBD	TBD
45IS	OFF TIME	30	38/50	TBD	4		N/A	N/A	TBD	TBD

**OPTIONS/NOTES:**

- 1) GFCI receptacles are optional and are furnished with case when ordered
- 2) Metallic in-use cover shipped loose - installed in field
- 3) Estimate Refrigerant Charge (LBS) base on 404A †