

A

C

D

B

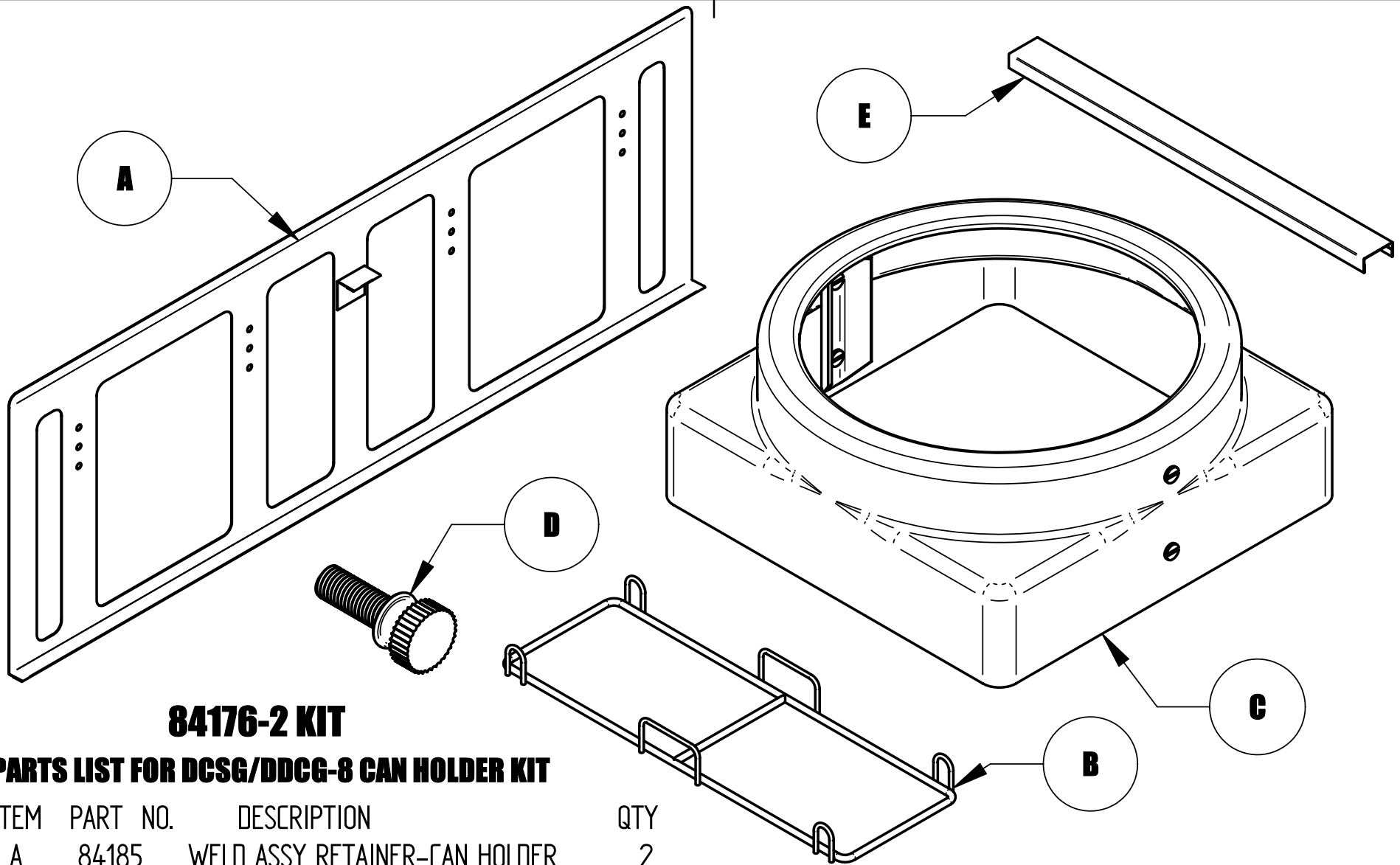
84176-1 KIT

PARTS LIST FOR DCSG/DDCG-4 CAN HOLDER KIT

ITEM	PART NO.	DESCRIPTION	QTY
A	84166-1	RETAINER-CAN HOLDER	2
B	22S314	CAN HOLDER RACK	2
C	84165	CAN SKIRT ASM	4
D	12S123	THUMB SCREW	4

REV E.O. #	REV DATE	REV BY	TOLERANCES UNLESS OTHERWISE SPECIFIED FRACTIONAL 1/32" DECIMAL 0.031" ANGULAR 1° HOLE LOCATION & SPACING 1/64"	HUSSMANN GLOVERSVILLE, NY 12078
-	-	-		
APPROVED BY	ED NUMBER		SCALE INCHES SHEET # 1 OF 1	
	-			
DRAWN BY: JHOLLAND DATE DRAWN: XXXXX/2003 APPROVED BY: -				

CAN SKIRT KIT

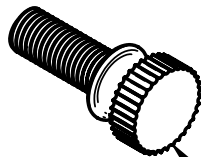
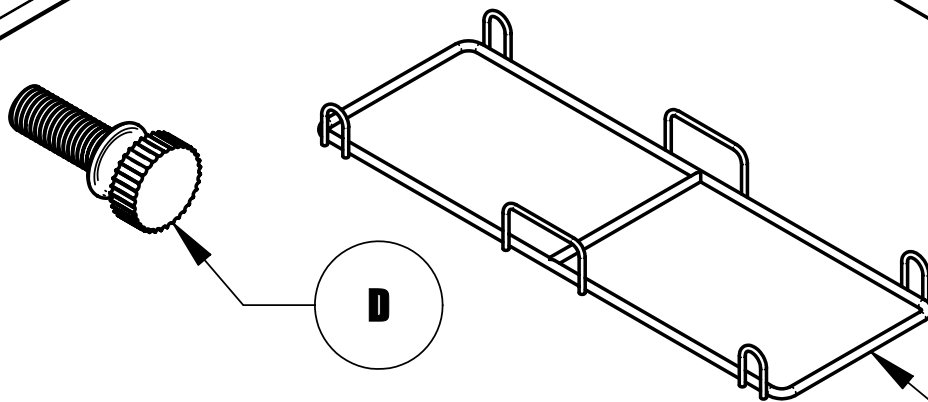
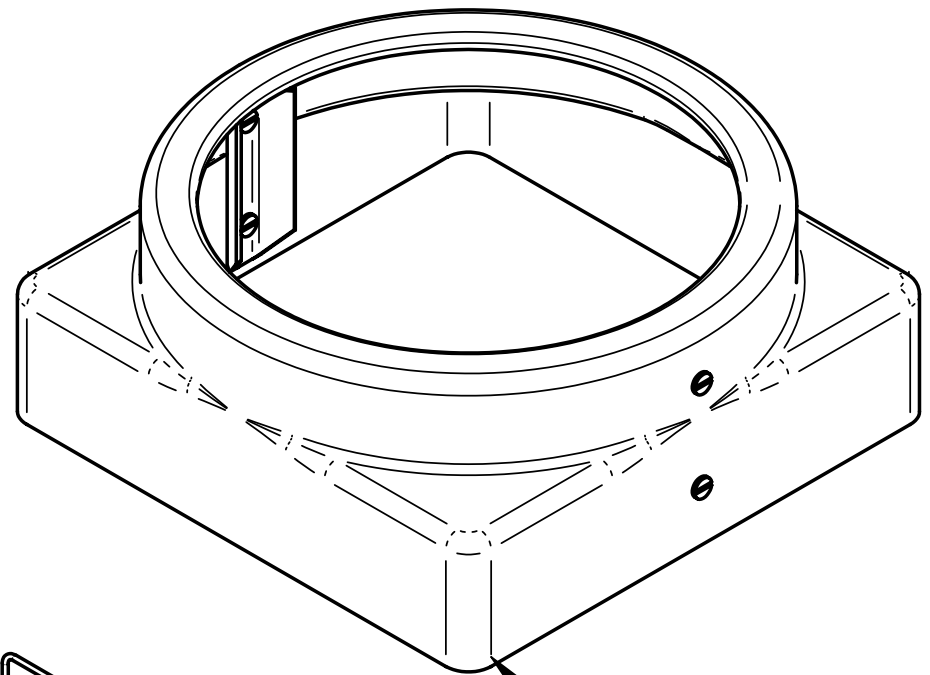
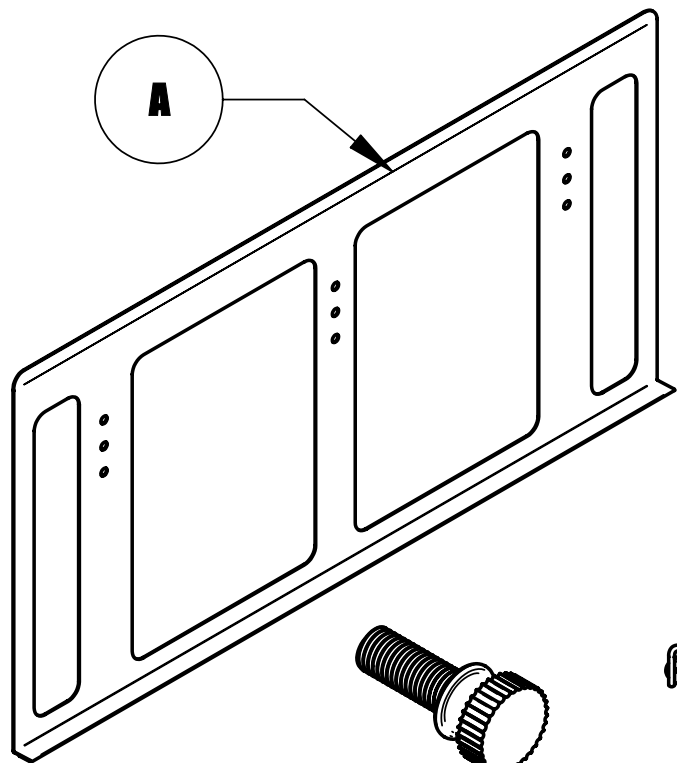


84176-2 KIT

PARTS LIST FOR DCSG/DDCG-8 CAN HOLDER KIT

ITEM	PART NO.	DESCRIPTION	QTY
A	84185	WELD ASSY RETAINER-CAN HOLDER	2
B	22S314	CAN HOLDER RACK	4
C	84165	CAN SKIRT ASM	8
D	12S123	THUMB SCREW	8
E	84184	CAN SPACER	1

REV	EO #	REV DATE	REV BY	TOLERANCES UNLESS OTHERWISE SPECIFIED FRACTIONAL 1/32" DECIMAL 0.031" ANGULAR 1° HOLE LOCATION & SPACING 1/64"	HUSSMANN® GLOVERSVILLE, NY 12078
-	-	-	-		
APPROVED BY:				EO NUMBER	
				-	
DRAWN BY:		JHOLLAND		SCALE: INCHES	CAN SKIRT KIT
DATE DRAWN:		XXXX/2003		SHEET # 1 OF 1	
APPROVED BY:					

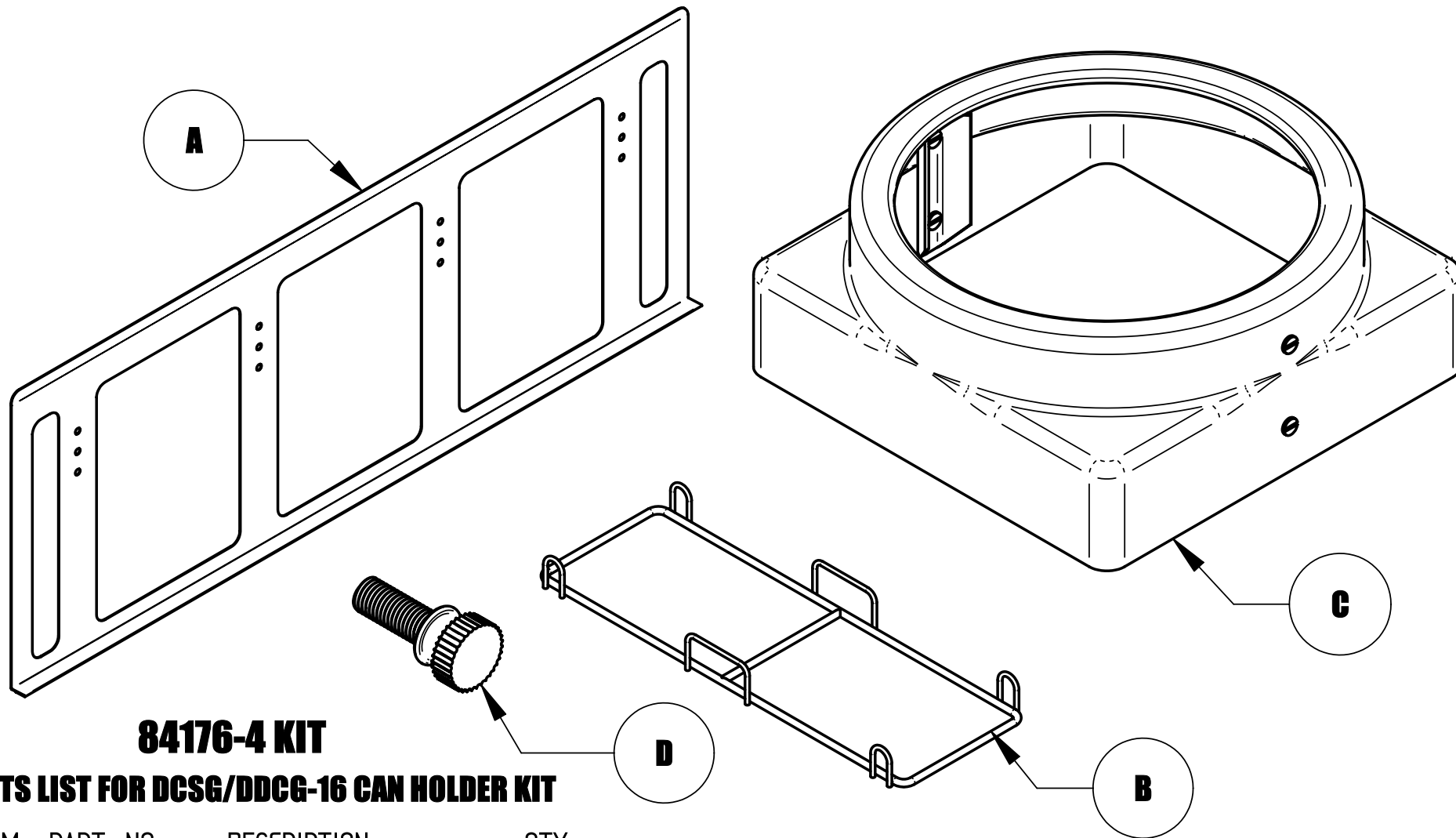


84176-3 KIT

PARTS LIST FOR DCSG/DDCG-12 CAN HOLDER KIT

ITEM	PART NO.	DESCRIPTION	QTY
A	84166-3	RETAINER-CAN HOLDER	4
B	22S314	CAN HOLDER RACK	6
C	84165	CAN SKIRT ASM	12
D	12S123	THUMB SCREW	12

REV	EO #	REV DATE	REV BY	TOLERANCES UNLESS OTHERWISE SPECIFIED FRACTIONAL 1/32" DECIMAL 0.031" ANGULAR 1° HOLE LOCATION & SPACING 1/64"	HUSSMANN® GLOVERSVILLE, NY 12078	
-	-	-	-		CAN SKIRT KIT	
APPROVED BY:				EO NUMBER		SCALE: INCHES SHEET # 1 OF 1
				-		
DRAWN BY: JHOLLAND						
DATE DRAWN: XXXXX/2003						
APPROVED BY: -						



84176-4 KIT

PARTS LIST FOR DCSG/DDCG-16 CAN HOLDER KIT

ITEM	PART NO.	DESCRIPTION	QTY
A	84166-4	RETAINER-CAN HOLDER	4
B	22S314	CAN HOLDER RACK	8
C	84165	CAN SKIRT ASM	16
D	12S123	THUMB SCREW	16

REV	EO #	REV DATE	REV BY	TOLERANCES UNLESS OTHERWISE SPECIFIED FRACTIONAL 1/32" DECIMAL 0.031" ANGULAR 1° HOLE LOCATION & SPACING 1/64"	HUSSMANN® GLOVERSVILLE, NY 12078	
-	-	-	-		CAN SKIRT KIT	
APPROVED BY:				EO NUMBER		SHEET # 1 OF 1
				-		
DRAWN BY: JHOLLAND				SCALE: INCHES		
DATE DRAWN: XXXXX/2003						
APPROVED BY: -						