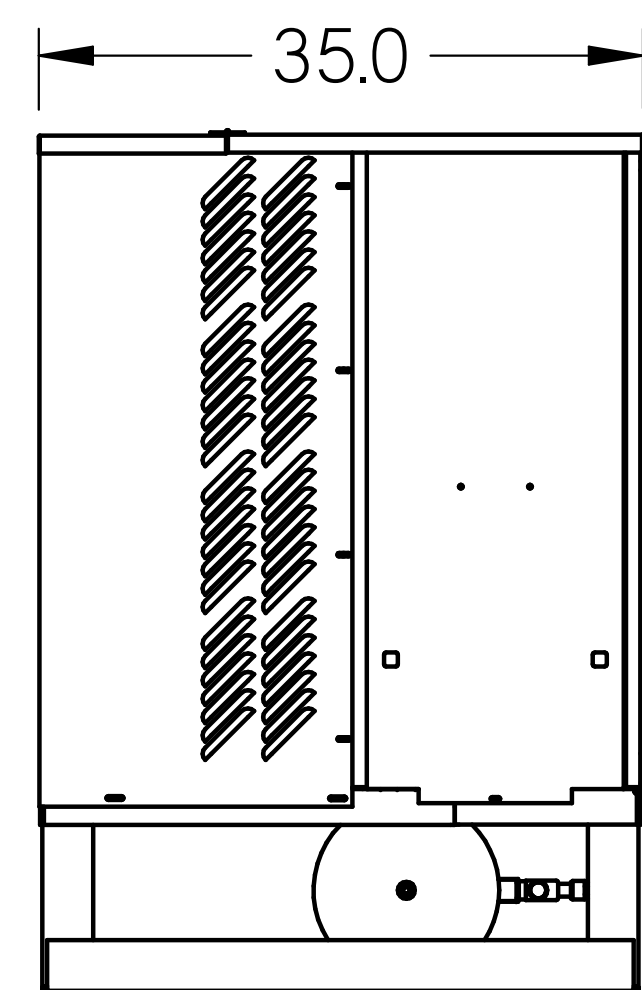
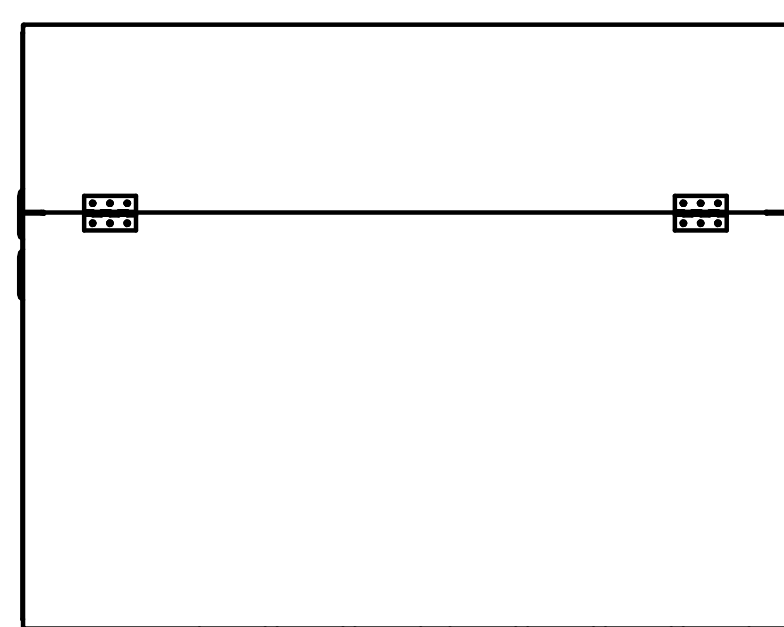


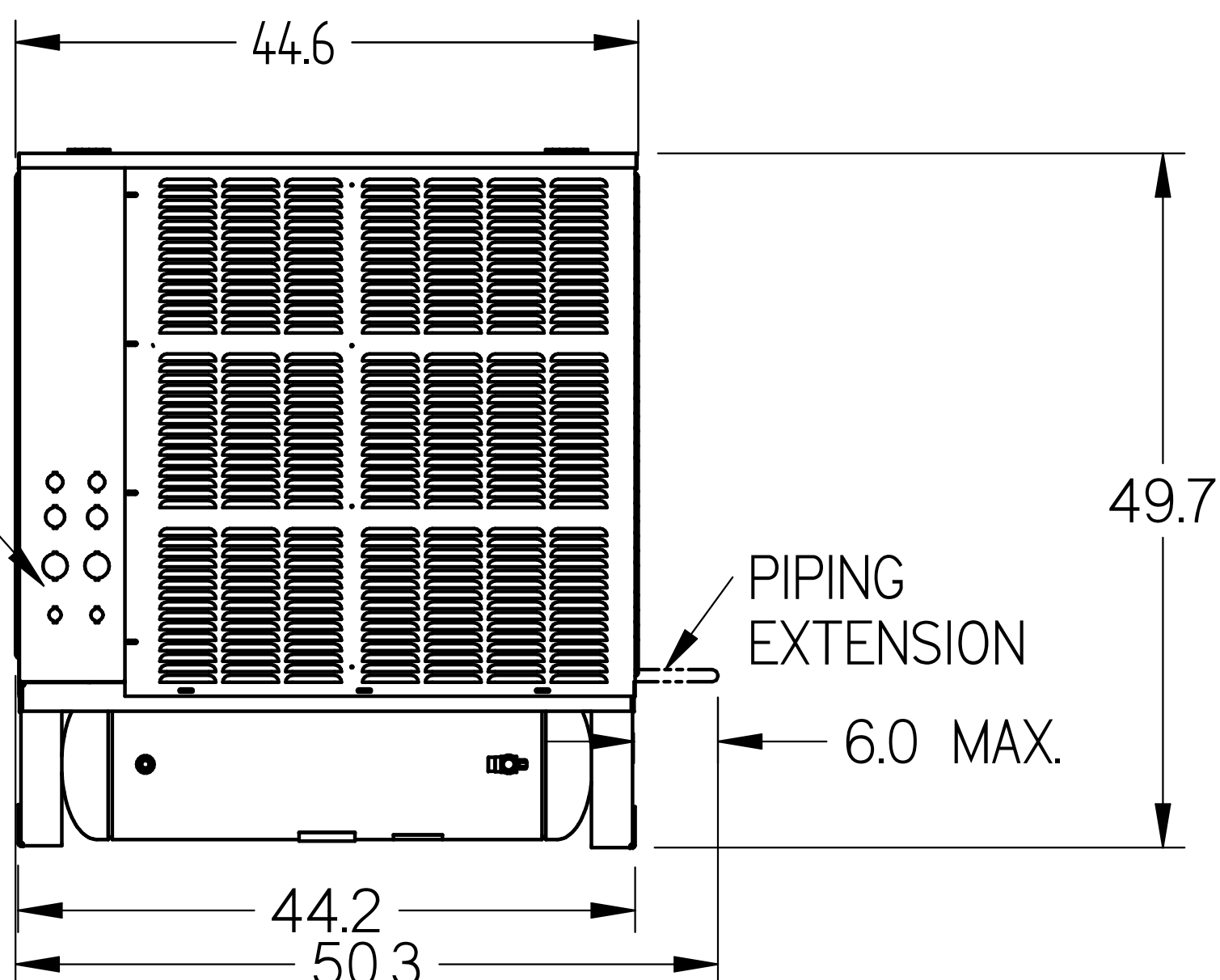
**MEDIUM SIZE
OUTDOOR UNIT
HEAVY DUTY BASE
"HTHx-xxxxxxx-xx-A"
WEIGHT: 650 LBS.**



LEFT SIDE VIEW



TOP VIEW

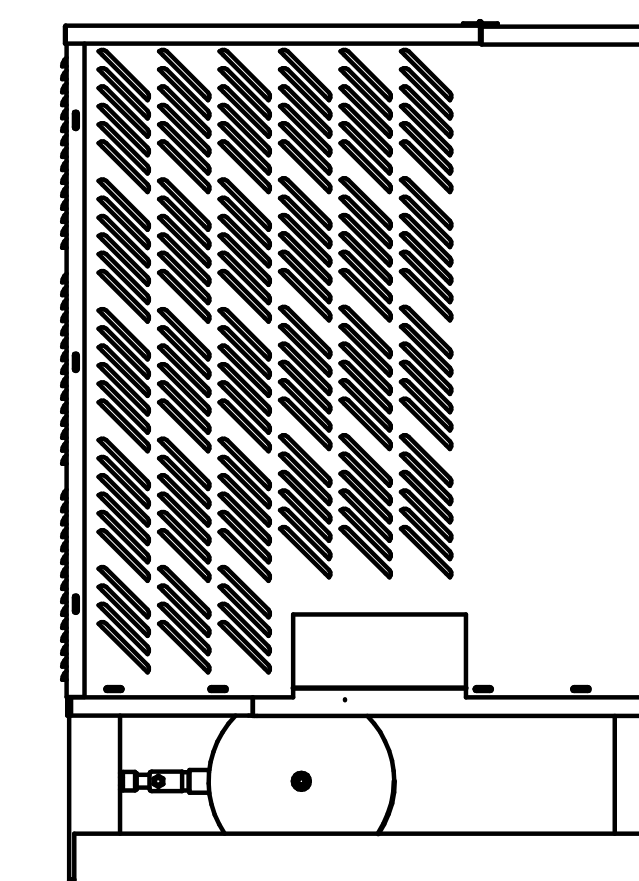


FRONT VIEW

MAIN ELECTRICAL CONNECTION

PIPING EXTENSION

6.0 MAX.

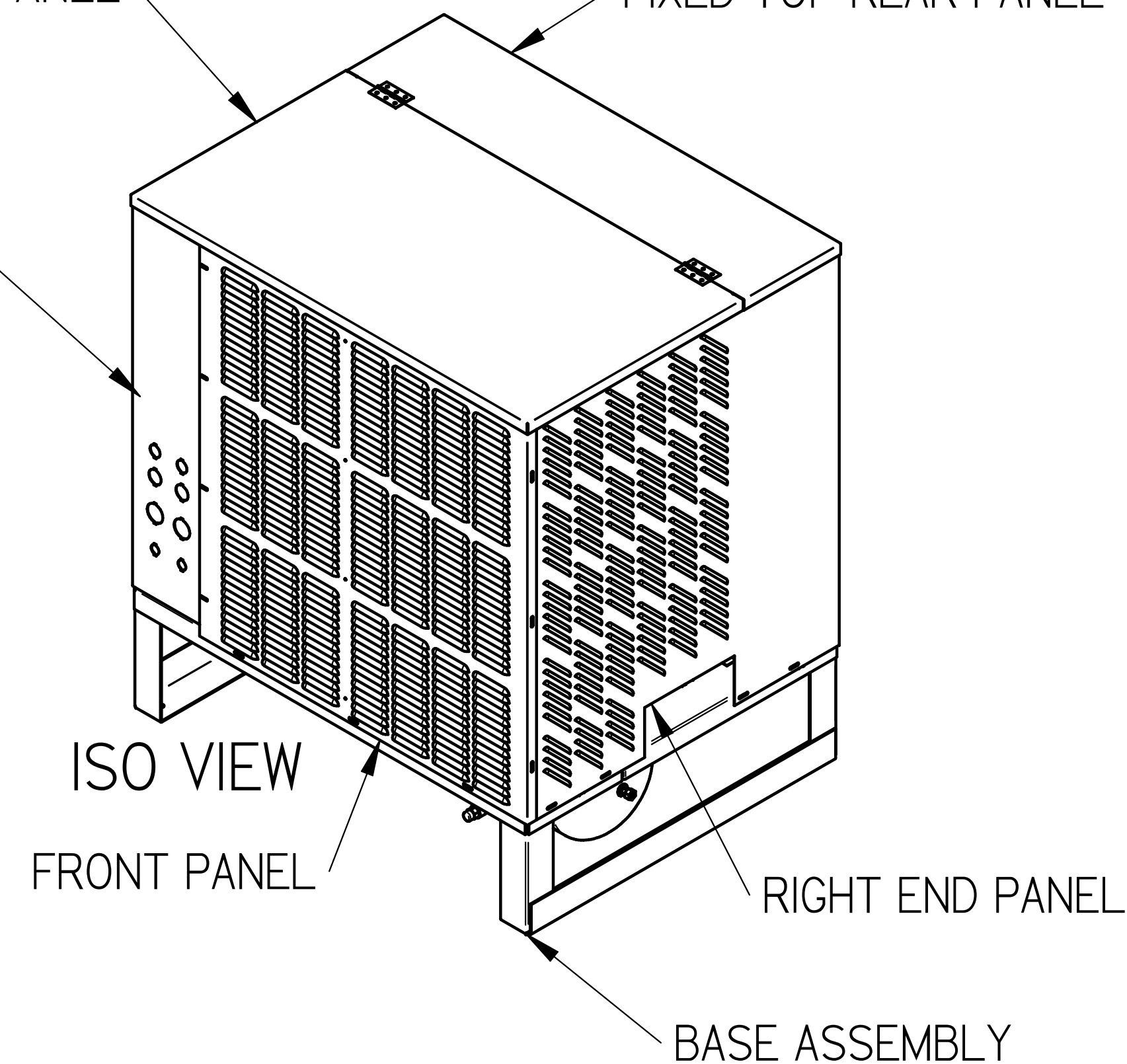


RIGHT SIDE VIEW

HINGED TOP FRONT PANEL

FIXED TOP REAR PANEL

CONTROL PANEL

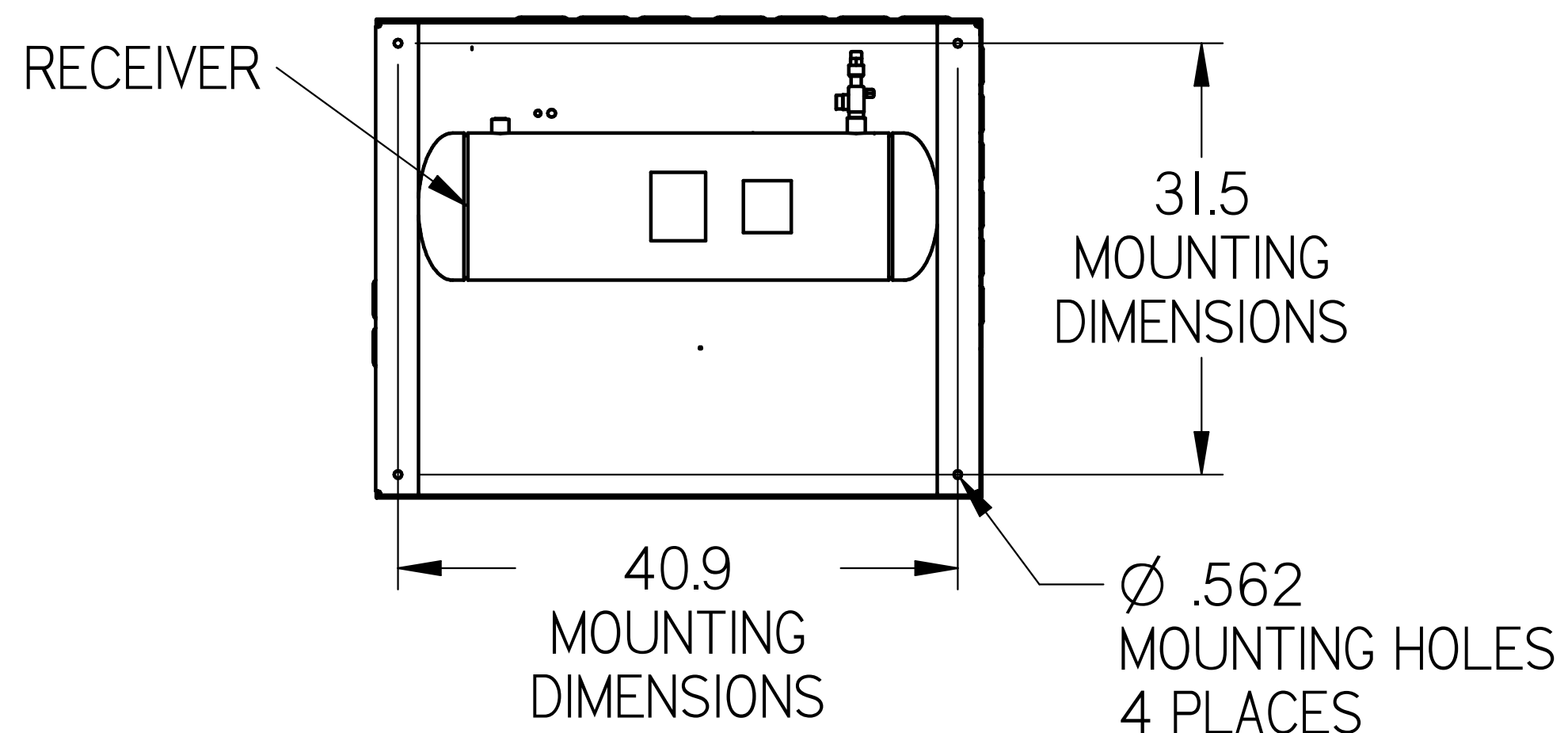


ISO VIEW

FRONT PANEL

RIGHT END PANEL

BASE ASSEMBLY



BOTTOM VIEW

RECEIVER

31.5
MOUNTING
DIMENSIONS

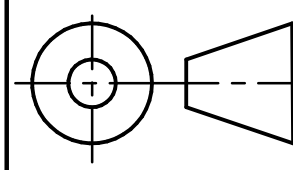
40.9
MOUNTING
DIMENSIONS

Ø .562
MOUNTING HOLES
4 PLACES

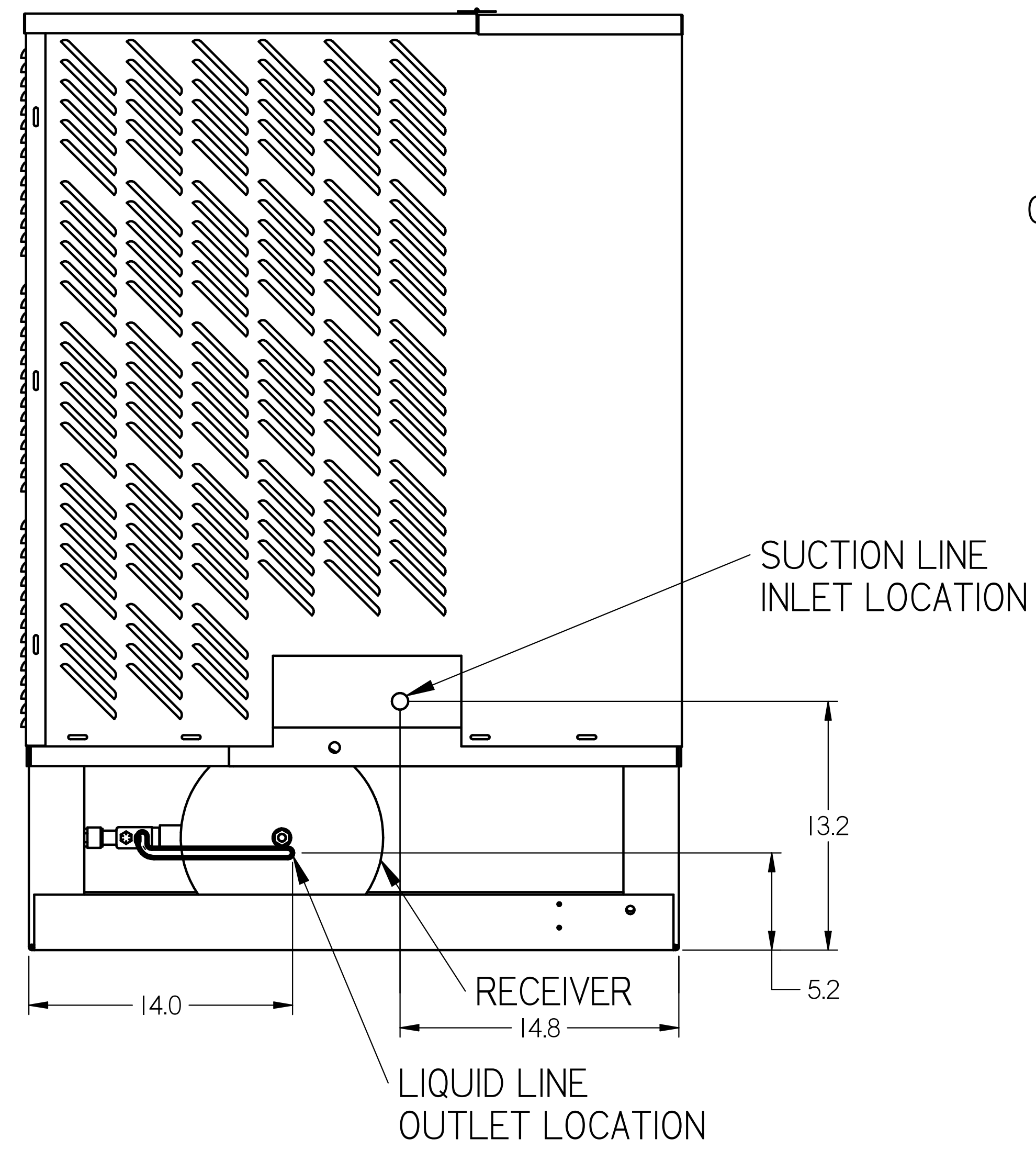
NOTES:

1. IT IS THE RESPONSIBILITY OF THE INSTALLING CONTRACTOR TO ENSURE THAT THE FINAL EQUIPMENT INSTALLATION MEETS ALL APPLICABLE CODE REQUIREMENTS.
2. ILLUSTRATION SHOWN IS FOR GENERAL REPRESENTATION ONLY. ACTUAL PRODUCT WILL VARY DEPENDENT UPON APPLICATION.
3. OVERALL DIMENSIONS: 50.3 L X 35 W X 49.7 H.

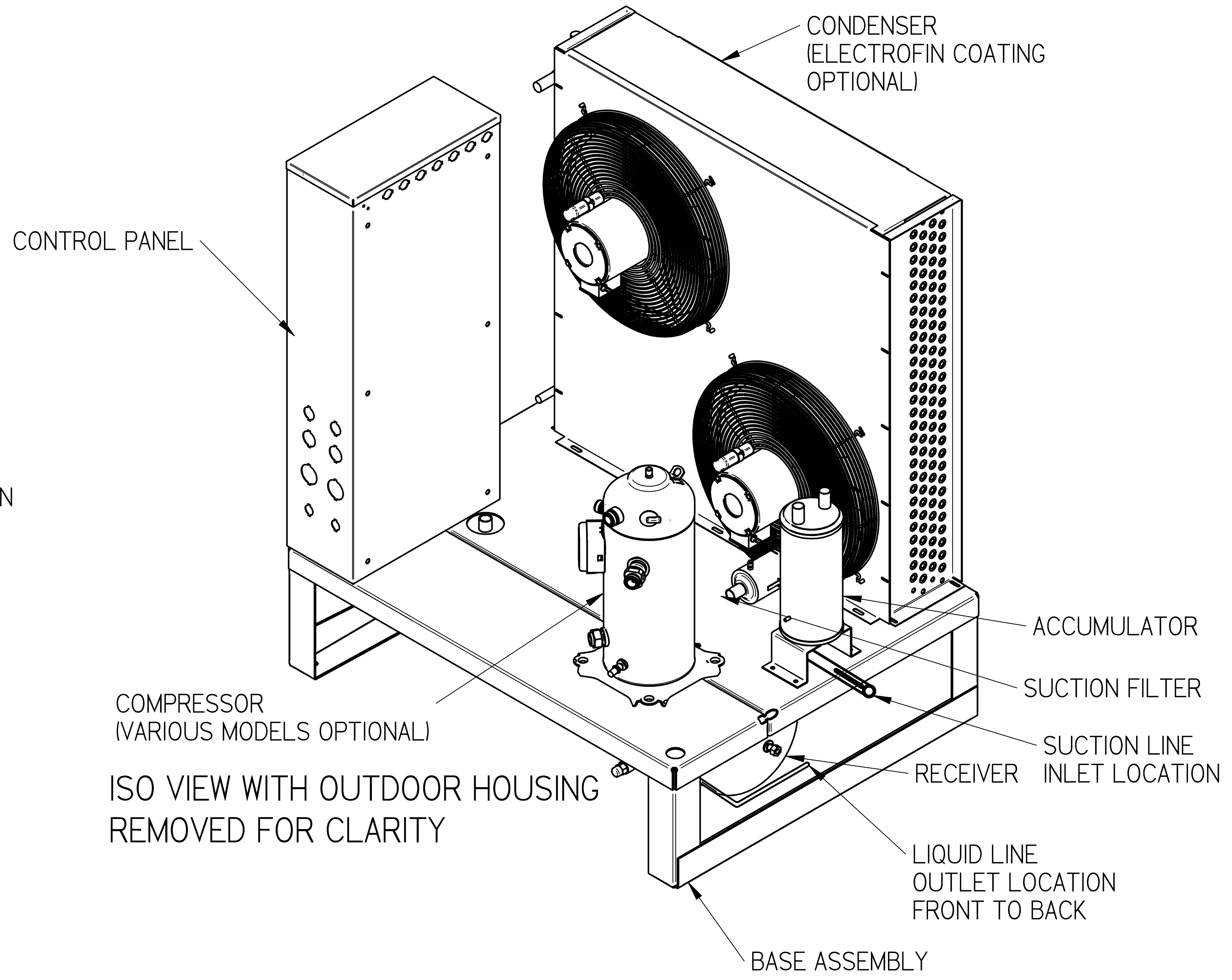
INFORMATION SUBJECT TO CHANGE

| | |
|--|------------------------------------|
| DIMENSIONS ARE IN INCHES. DATE DRAWN: 2017/09/14 | HUSSMANN [®] |
|  THIRD ANGLE PROJECTION | H SERIES MEDIUM OUTDOOR HD BASE |
| SHEET 1 OF 3 | DOC PD-000000018 REV C |

SWN 1.0 SUBMITTAL SHEET SIZE D



PIPING CONNECTION LOCATION
OUT RIGHT SIDE OF UNIT



ISO VIEW WITH OUTDOOR HOUSING
REMOVED FOR CLARITY

NOTES:

1. IT IS THE RESPONSIBILITY OF THE INSTALLING CONTRACTOR TO ENSURE THAT THE FINAL EQUIPMENT INSTALLATION MEETS ALL APPLICABLE CODE REQUIREMENTS.
2. ILLUSTRATION SHOWN IS FOR GENERAL REPRESENTATION ONLY. ACTUAL PRODUCT WILL VARY DEPENDENT UPON APPLICATION.
3. OVERALL DIMENSIONS: 50.3 L X 35 W X 49.7 H.

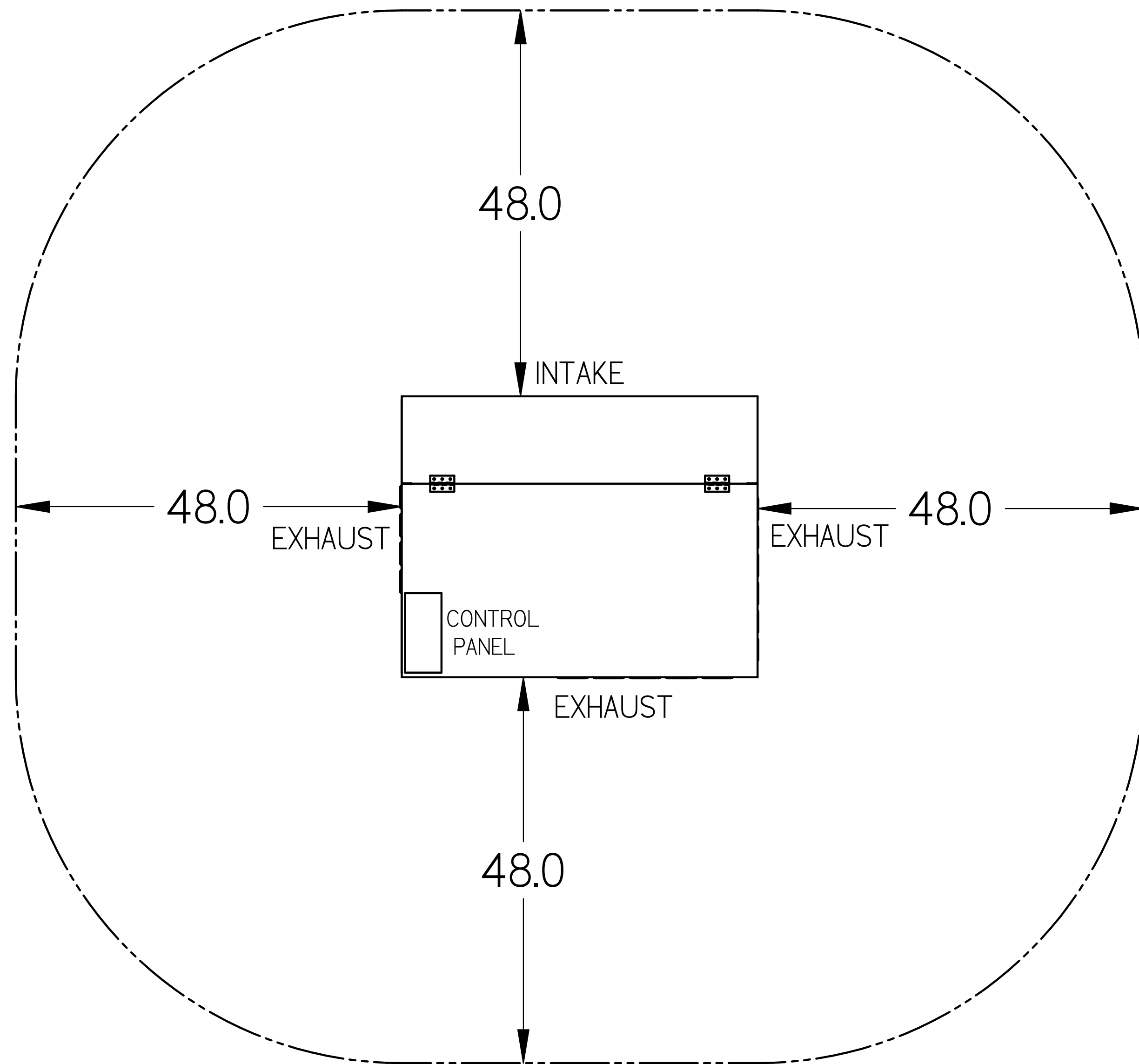
| | | |
|---|------------------------------------|-----|
| DIMENSIONS ARE IN INCHES. DATE DRAWN: 2017/09/14 | HUSSMANN® | |
| | H SERIES MEDIUM OUTDOOR HD BASE | |
| THIRD ANGLE PROJECTION | DOC | REV |
| SHEET 2 OF 3 | PD-000000018 | C |

INFORMATION SUBJECT TO CHANGE

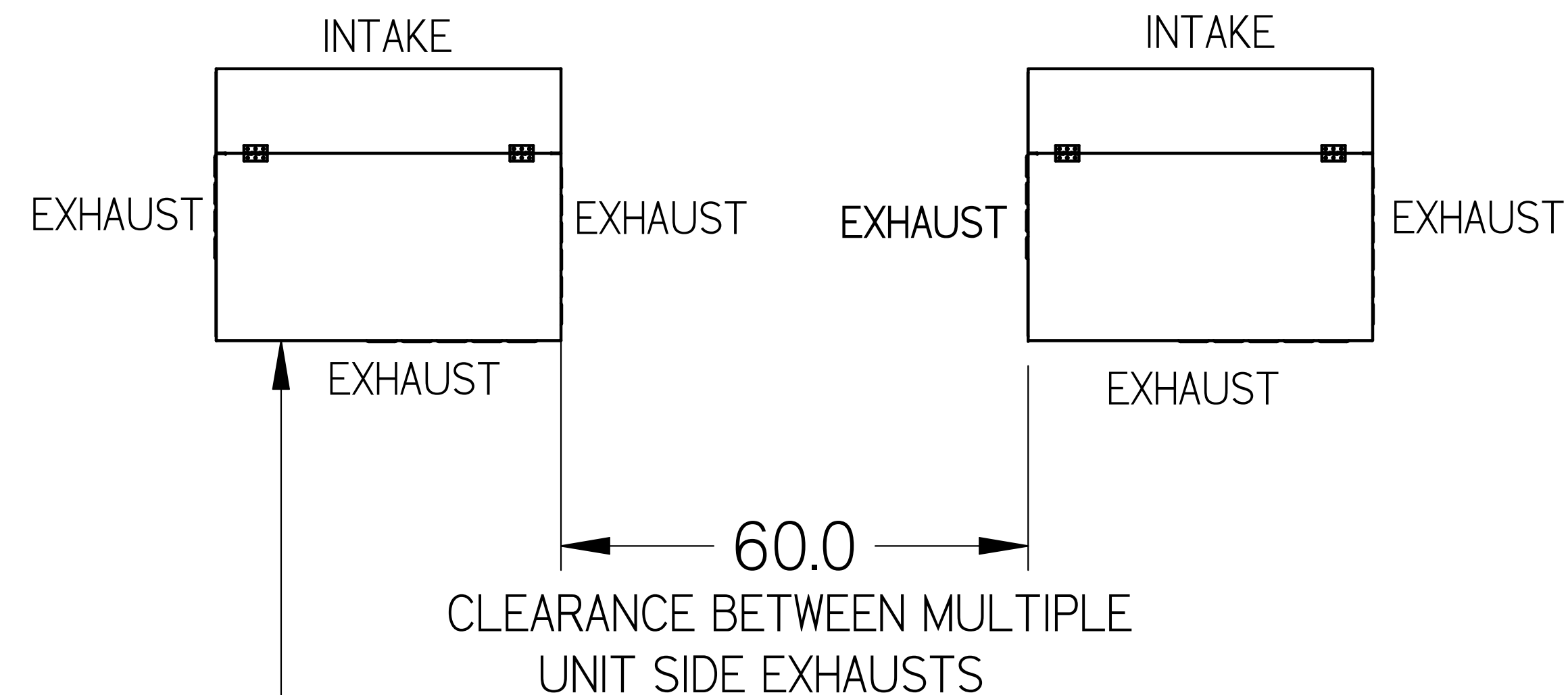
SWN 1.0 SUBMITTAL SHEET SIZE D

MINIMUM CLEARANCE REQUIREMENTS:

ACTUAL CLEARANCE REQUIREMENTS ARE DEPENDENT UPON AUTHORITY HAVING JURISDICTION, AND MAY EXCEED DIMENSIONS SHOWN.



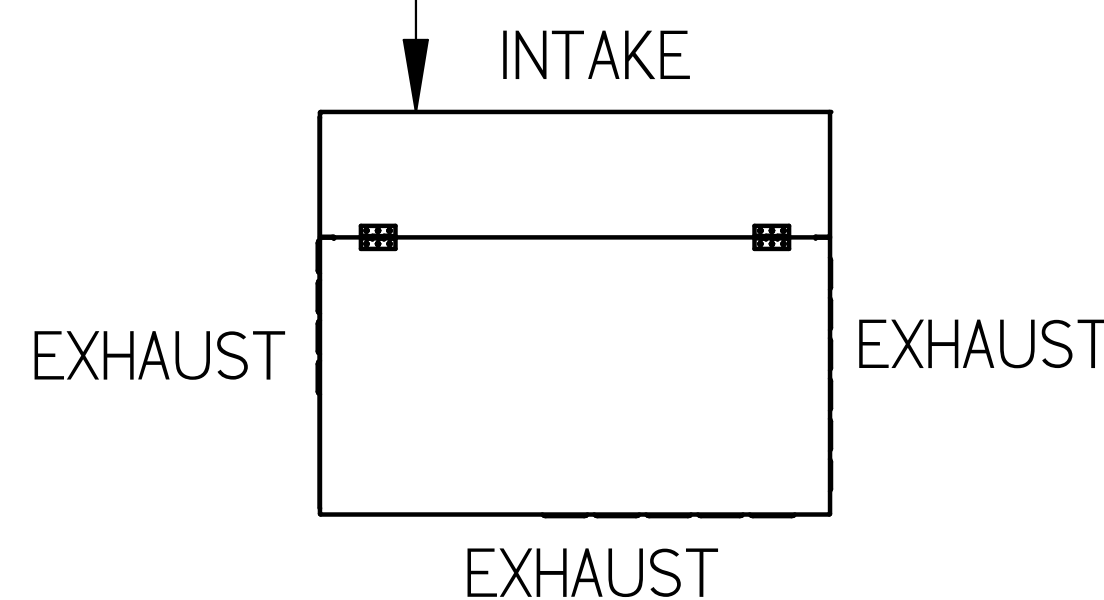
CLEARANCE ON A SINGLE UNIT APPLICATION



CLEARANCE ON MULTIPLE UNIT APPLICATION

180.0
CLEARANCE BETWEEN REAR UNIT EXHAUST AND FRONT UNIT INTAKE

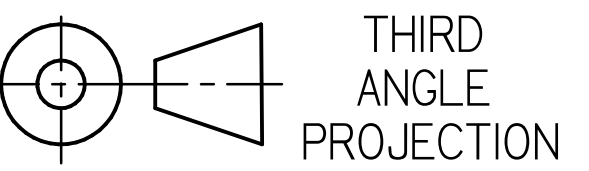
PROVIDE CLEARANCES AS SHOWN TO ENSURE ADEQUATE AIRFLOW, REDUCE THE POTENTIAL FOR AIR RECIRCULATION AND FACILITATE SERVICE ACCESSIBILITY.



NOTES:

1. IT IS THE RESPONSIBILITY OF THE INSTALLING CONTRACTOR TO ENSURE THAT THE FINAL EQUIPMENT INSTALLATION MEETS ALL APPLICABLE CODE REQUIREMENTS.
2. ILLUSTRATION SHOWN IS FOR GENERAL REPRESENTATION ONLY. ACTUAL PRODUCT WILL VARY DEPENDENT UPON APPLICATION.
3. OVERALL DIMENSIONS: 50.3 L X 35 W X 49.7 H.

INFORMATION SUBJECT TO CHANGE

| | |
|---|------------------------------------|
| DIMENSIONS ARE IN INCHES. DATE DRAWN: 2017/09/14  THIRD ANGLE PROJECTION | HUSSMANN[®] |
| | H SERIES MEDIUM OUTDOOR HD BASE |
| SHEET 3 OF 3 | DOC PD-000000018 REV C |

SWN1.0 SUBMITTAL SHEET SIZE D