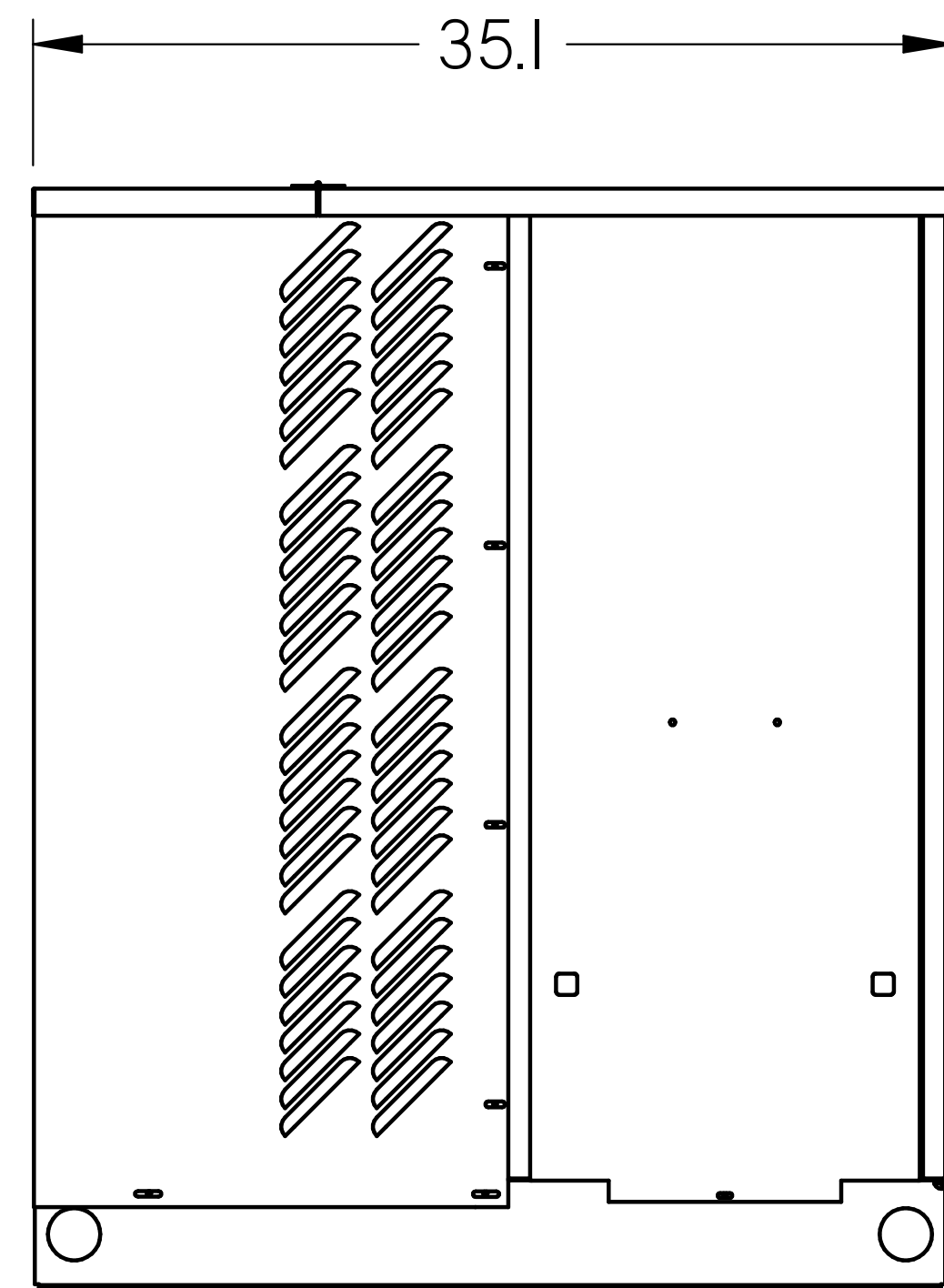
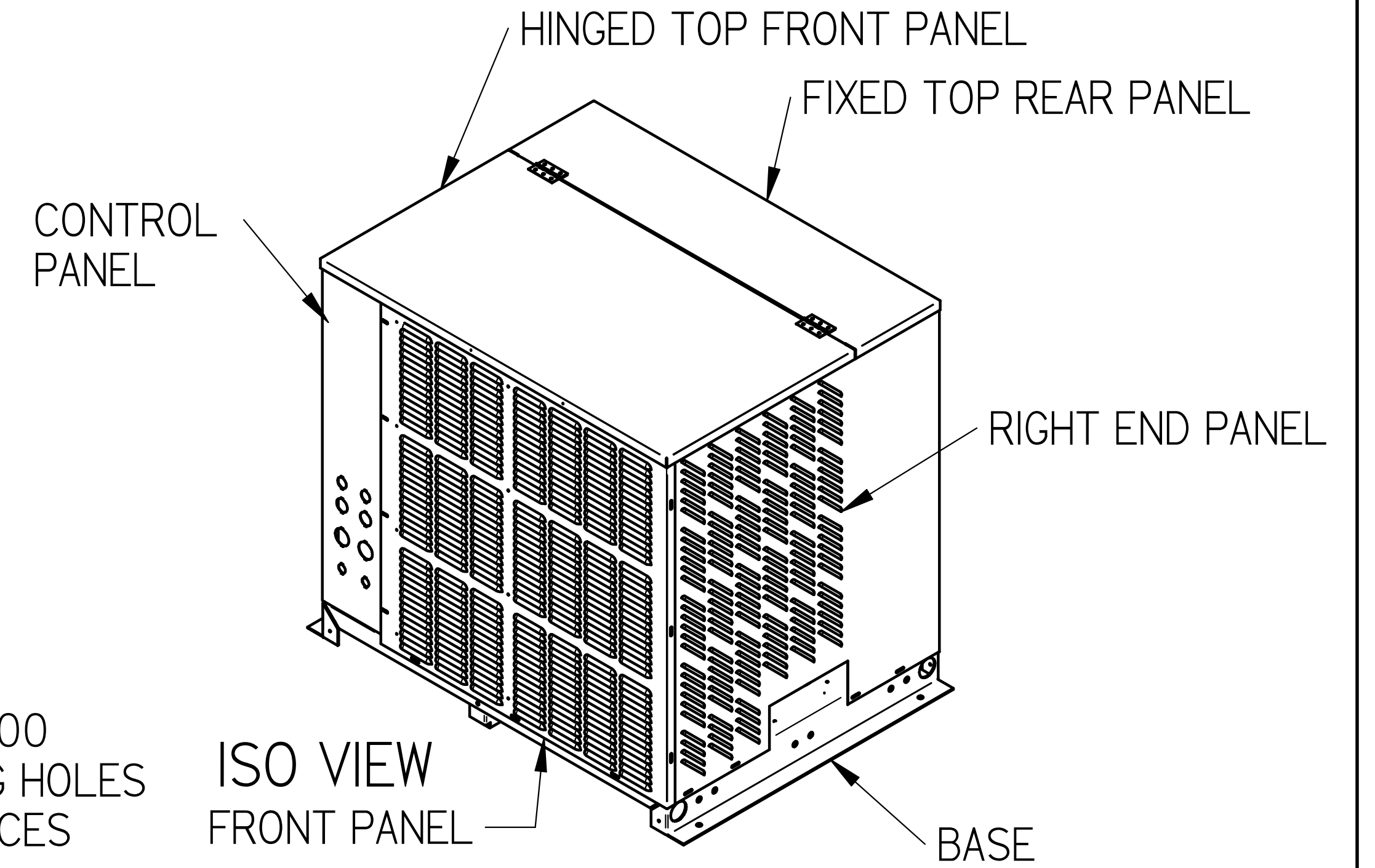
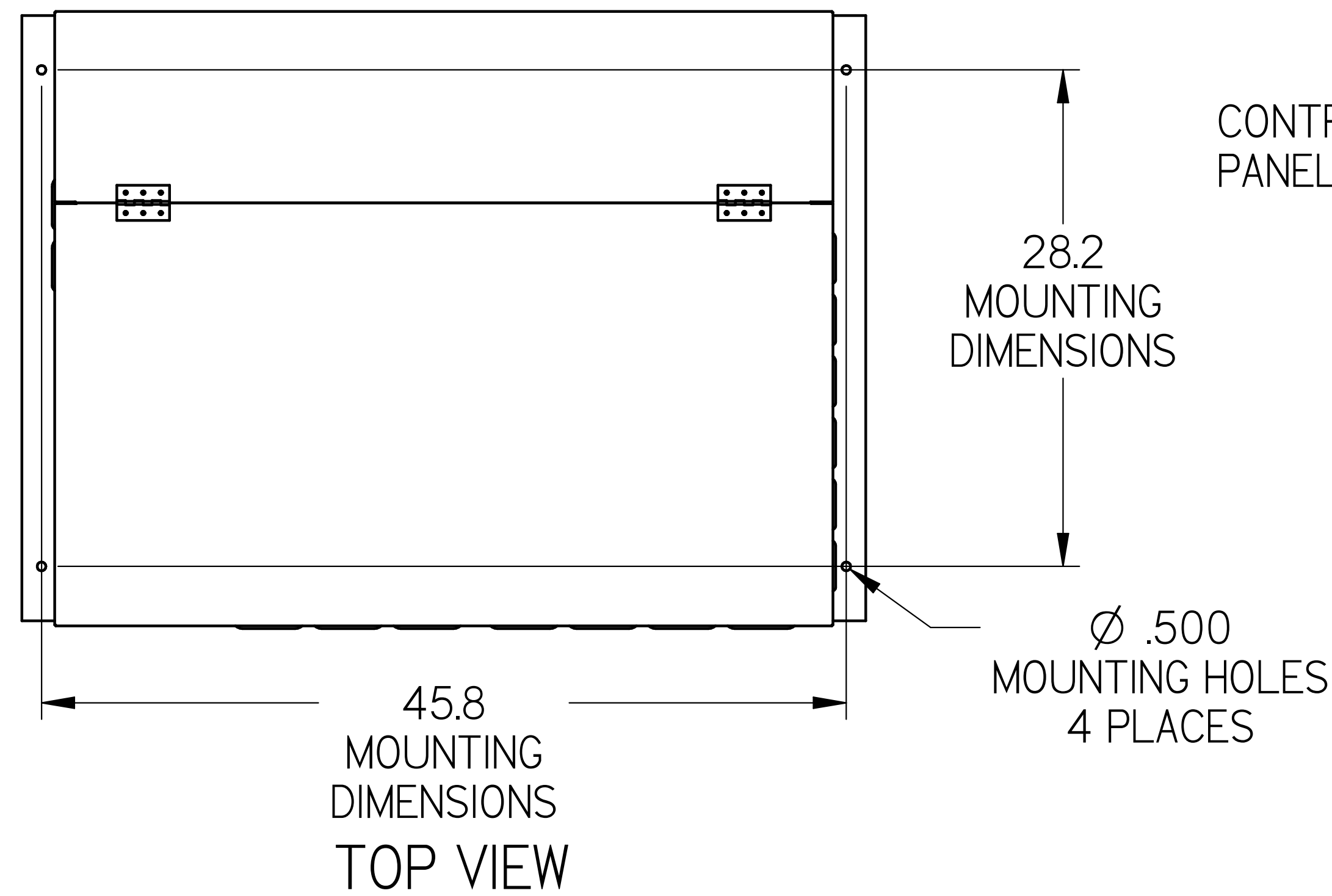
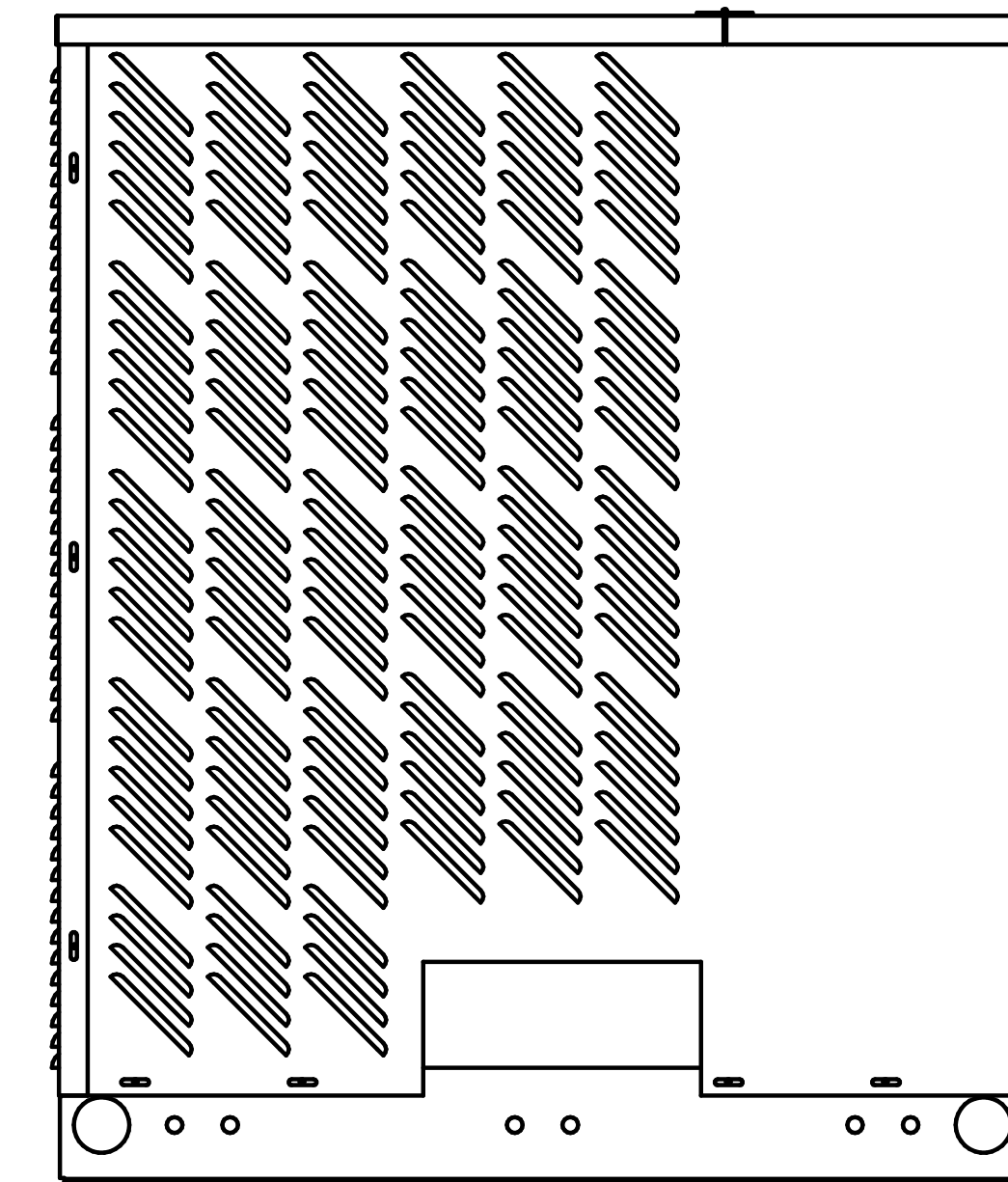
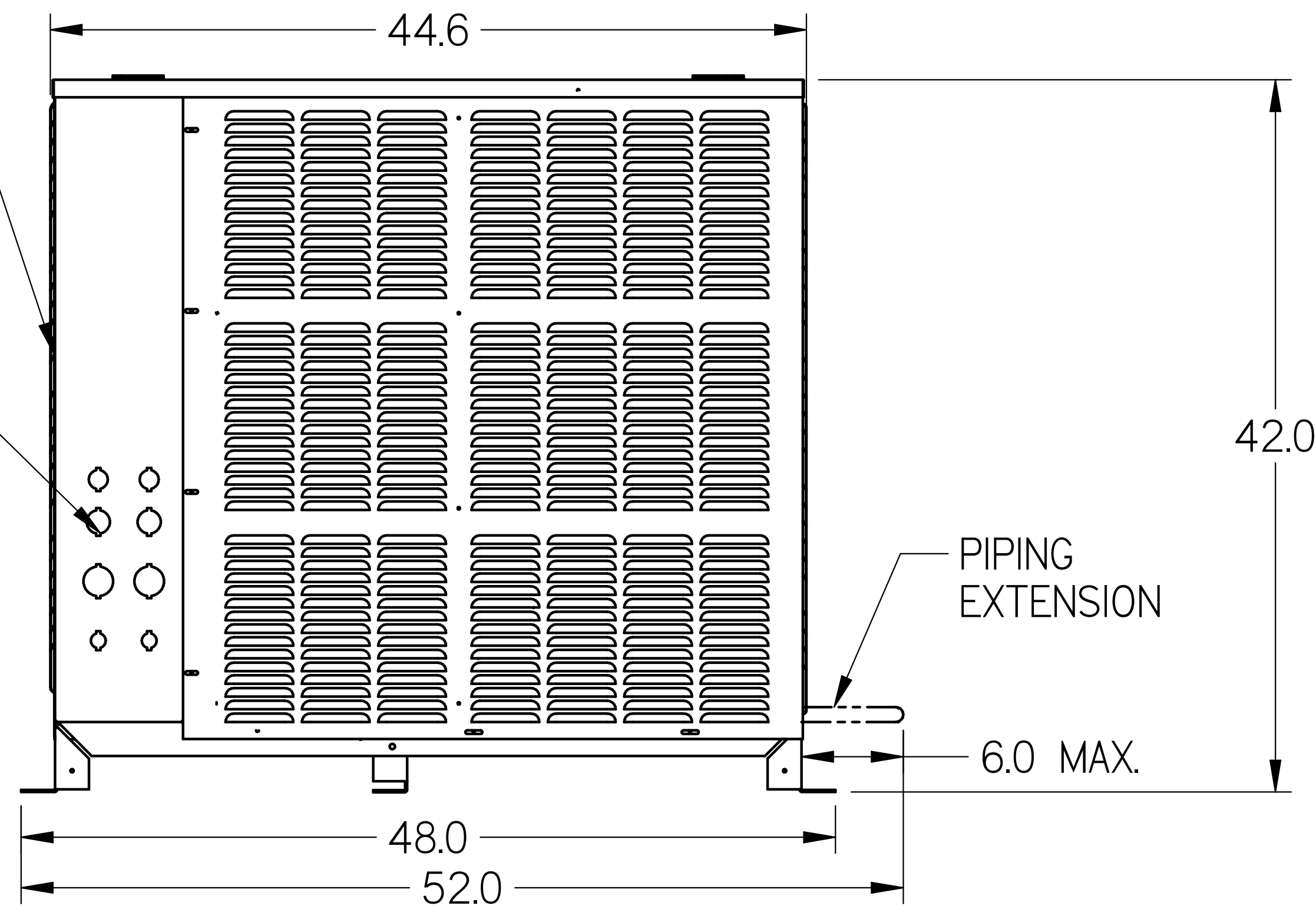


**MEDIUM SIZE
OUTDOOR UNIT
STANDARD BASE
"HTSx-xxxxxxx-xx-A"
WEIGHT: 650 LBS.**



CONTROL PANEL FACING LEFT END OF UNIT

MAIN ELECTRICAL CONNECTION



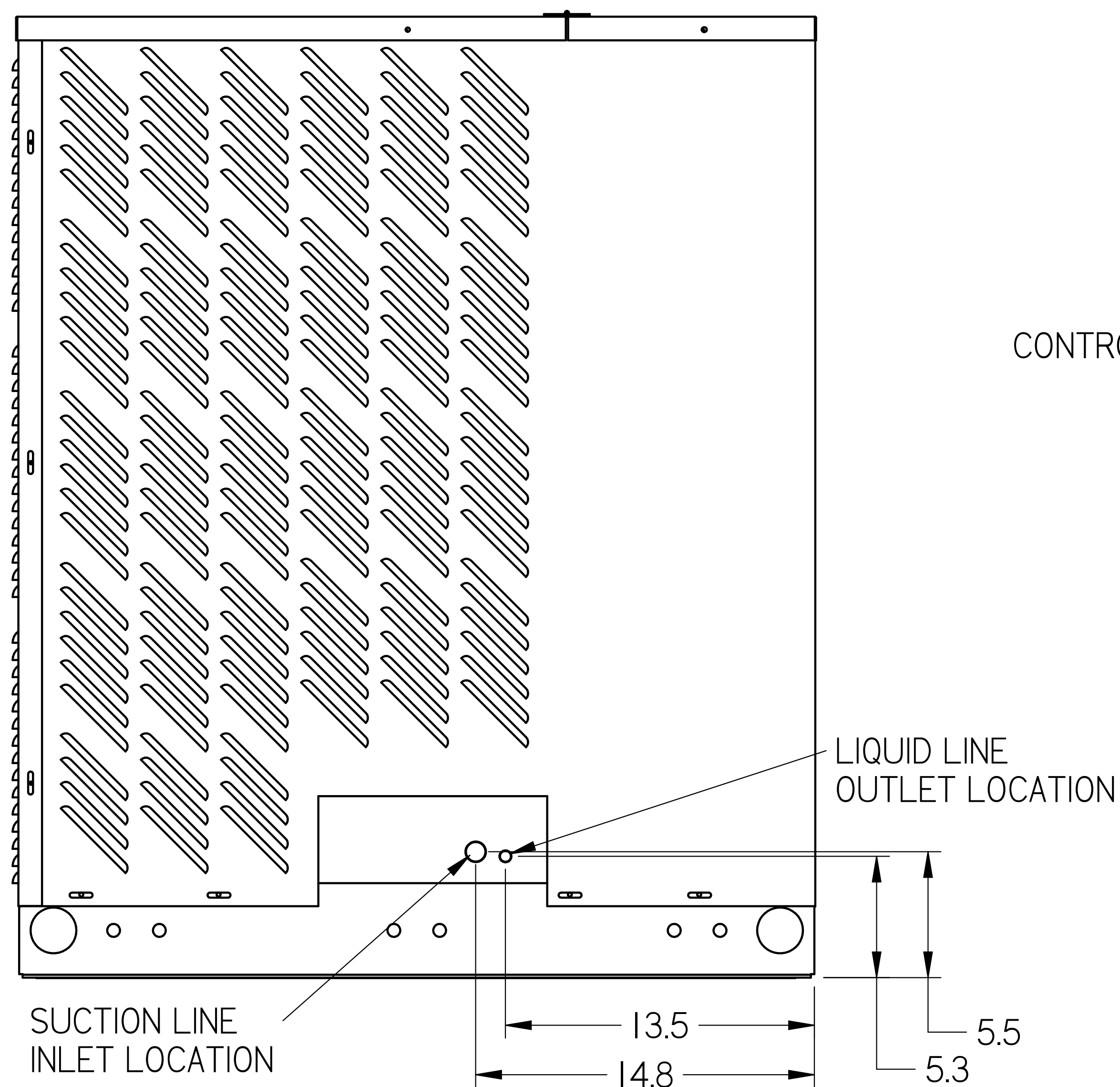
NOTES:

1. IT IS THE RESPONSIBILITY OF THE INSTALLING CONTRACTOR TO ENSURE THAT THE FINAL EQUIPMENT INSTALLATION MEETS ALL APPLICABLE CODE REQUIREMENTS.
2. ILLUSTRATION SHOWN IS FOR GENERAL REPRESENTATION ONLY. ACTUAL PRODUCT WILL VARY DEPENDENT UPON APPLICATION.
3. OVERALL DIMENSIONS: 52 L X 35.1 W X 42 H.

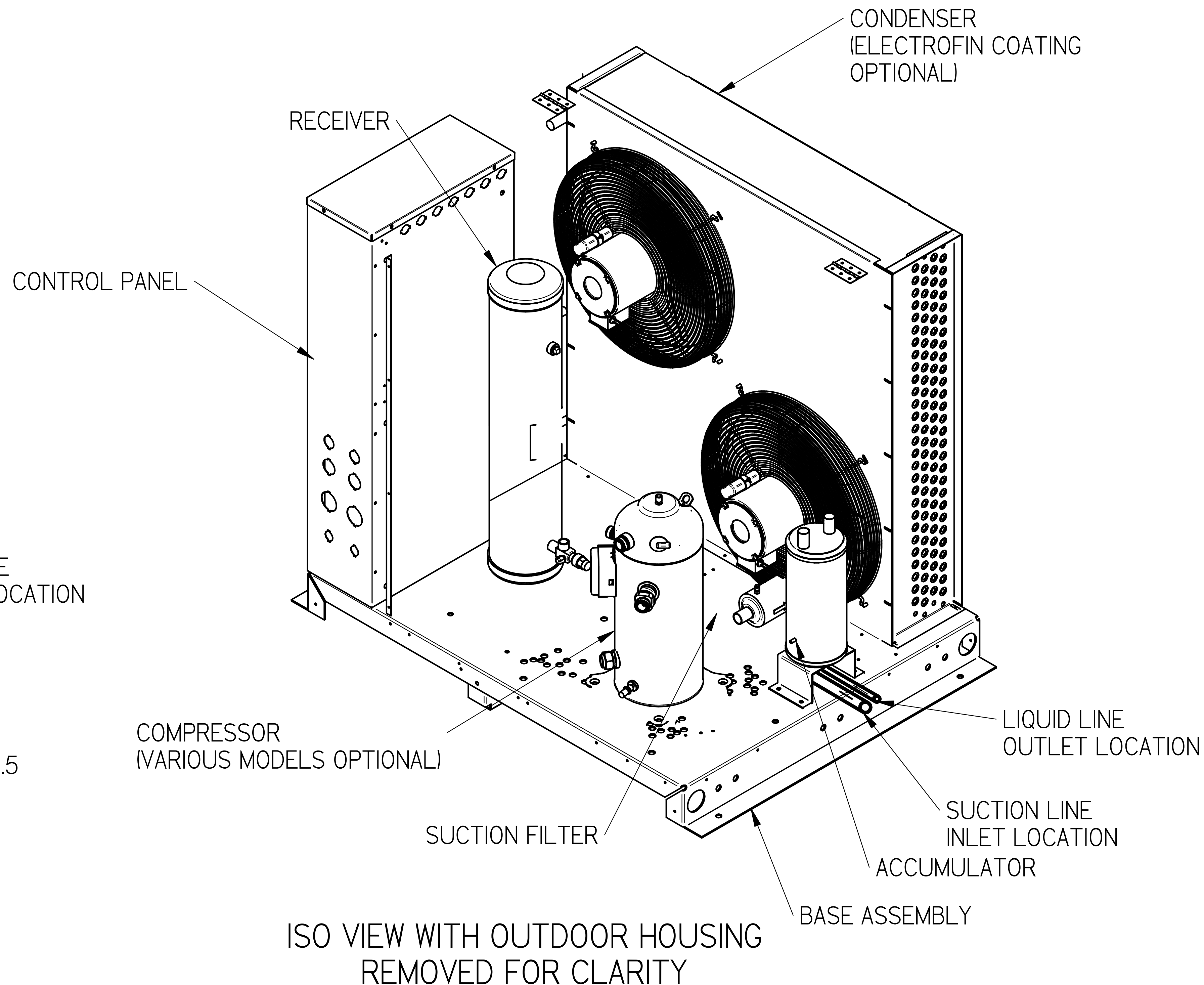
INFORMATION SUBJECT TO CHANGE

DIMENSIONS ARE IN INCHES. DATE DRAWN: 2017/09/14	HUSSmann [®]
THIRD ANGLE PROJECTION	H SERIES MEDIUM OUTDOOR STD BASE
SHEET 1 OF 3	DOC PD-000000014 REV C

SWN 1.0 SUBMITTAL SHEET SIZE D



PIPING CONNECTION LOCATION
OUT RIGHT SIDE OF UNIT

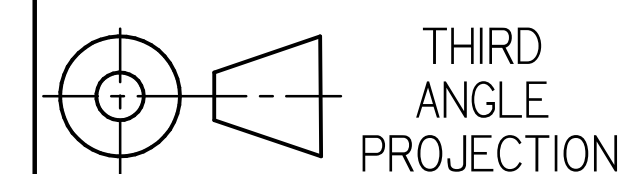


ISO VIEW WITH OUTDOOR HOUSING
REMOVED FOR CLARITY

NOTES:

1. IT IS THE RESPONSIBILITY OF THE INSTALLING CONTRACTOR TO ENSURE THAT THE FINAL EQUIPMENT INSTALLATION MEETS ALL APPLICABLE CODE REQUIREMENTS.
2. ILLUSTRATION SHOWN IS FOR GENERAL REPRESENTATION ONLY. ACTUAL PRODUCT WILL VARY DEPENDENT UPON APPLICATION.
3. OVERALL DIMENSIONS: 52 L X 35.1 W X 42 H.

DIMENSIONS ARE IN INCHES.
DATE DRAWN: 2017/09/14



SHEET 2 OF 3

HUSSMANN[®]

H SERIES MEDIUM
OUTDOOR STD BASE

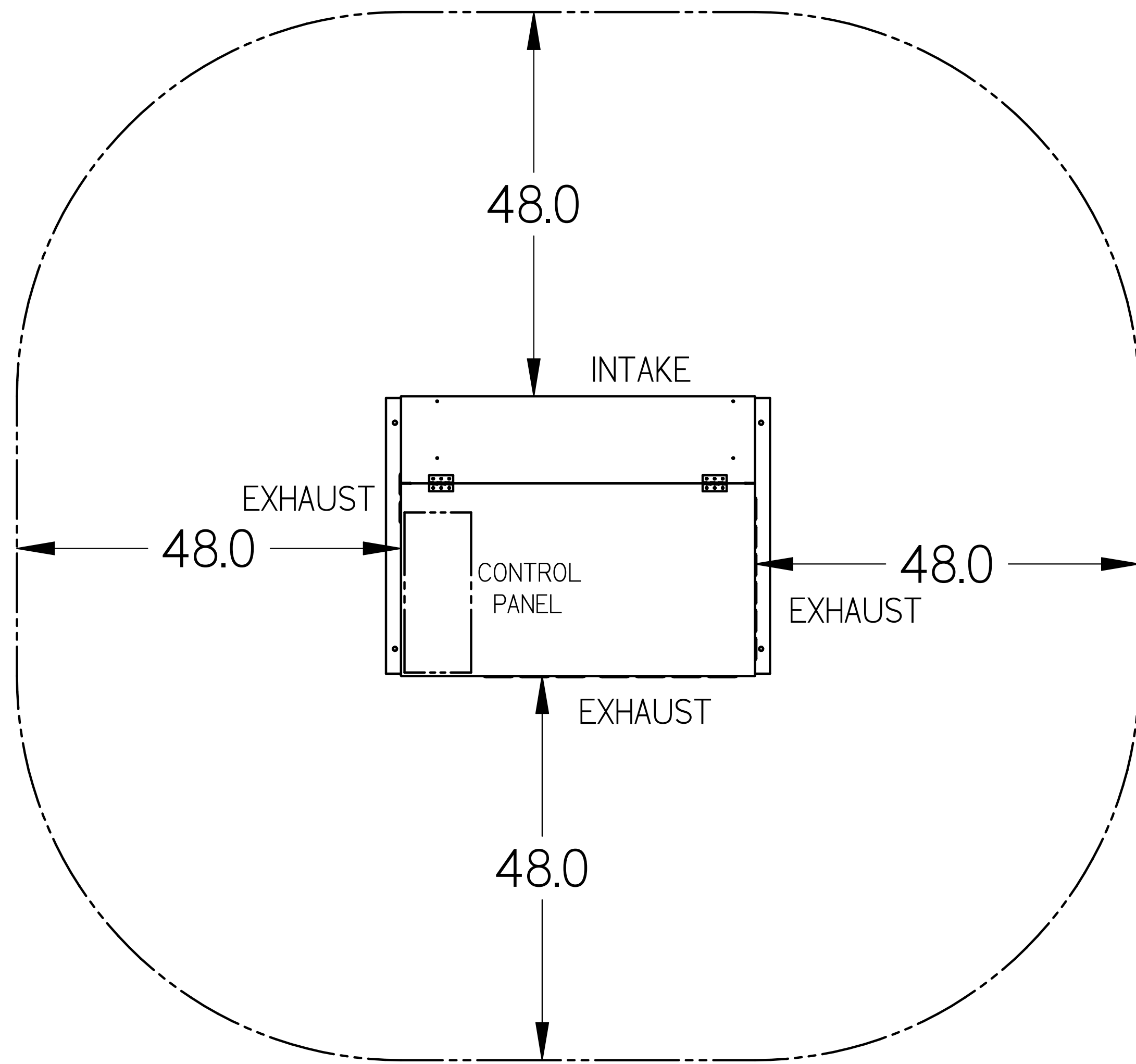
DOC PD-000000014 REV C

INFORMATION SUBJECT TO CHANGE

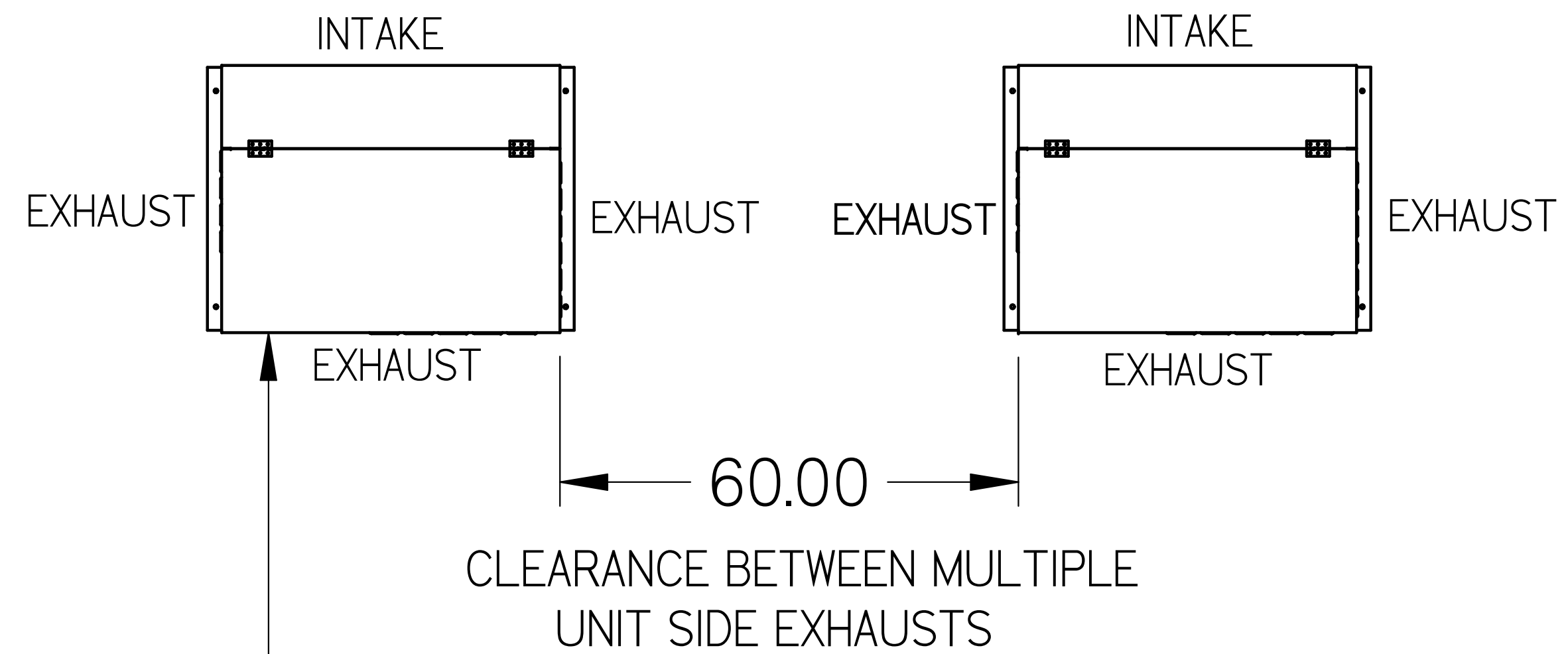
SWN 1.0 SUBMITTAL SHEET SIZE D

MINIMUM CLEARANCE REQUIREMENTS:

ACTUAL CLEARANCE REQUIREMENTS ARE DEPENDENT UPON AUTHORITY HAVING JURISDICTION, AND MAY EXCEED DIMENSIONS SHOWN.

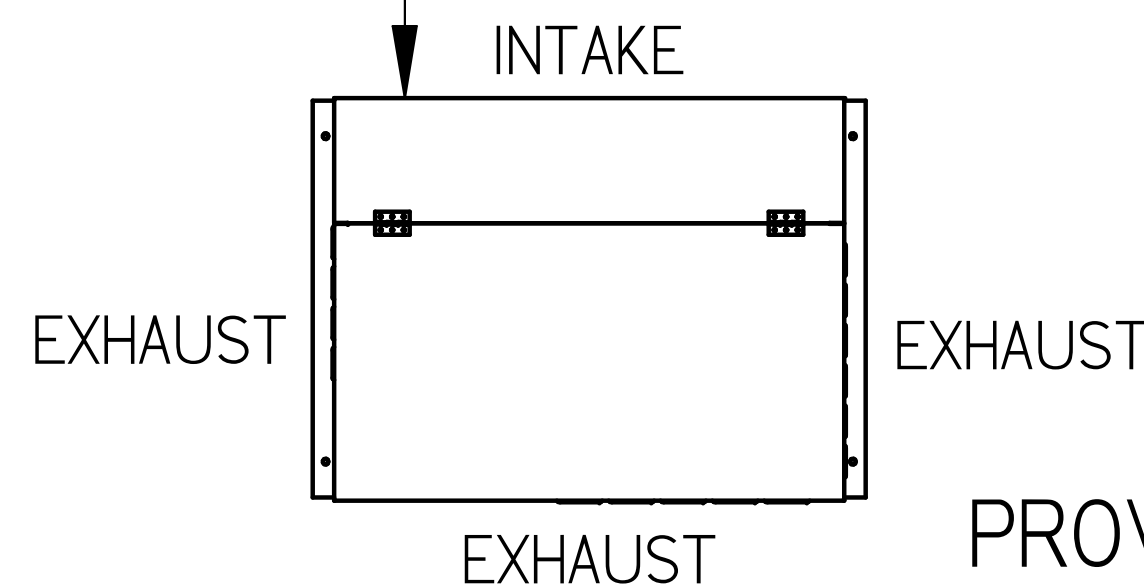


CLEARANCE ON A SINGLE UNIT APPLICATION



CLEARANCE ON MULTIPLE UNIT APPLICATION

180.00
CLEARANCE BETWEEN REAR UNIT EXHAUST AND FRONT UNIT INTAKE

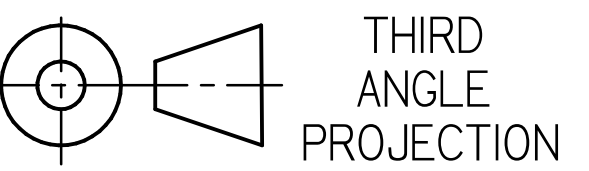


PROVIDE CLEARANCES AS SHOWN TO ENSURE ADEQUATE AIRFLOW, REDUCE THE POTENTIAL FOR AIR RECIRCULATION AND FACILITATE SERVICE ACCESSIBILITY.

NOTES:

1. IT IS THE RESPONSIBILITY OF THE INSTALLING CONTRACTOR TO ENSURE THAT THE FINAL EQUIPMENT INSTALLATION MEETS ALL APPLICABLE CODE REQUIREMENTS.
2. ILLUSTRATION SHOWN IS FOR GENERAL REPRESENTATION ONLY. ACTUAL PRODUCT WILL VARY DEPENDENT UPON APPLICATION.
3. OVERALL DIMENSIONS: 52 L X 35.1 W X 42 H.

INFORMATION SUBJECT TO CHANGE

DIMENSIONS ARE IN INCHES. DATE DRAWN: 2017/09/14	HUSSmann [®]
 THIRD ANGLE PROJECTION	H SERIES MEDIUM OUTDOOR STD BASE
SHEET 3 OF 3	DOC PD-000000014 REV C

SWN 1.0 SUBMITTAL SHEET SIZE D