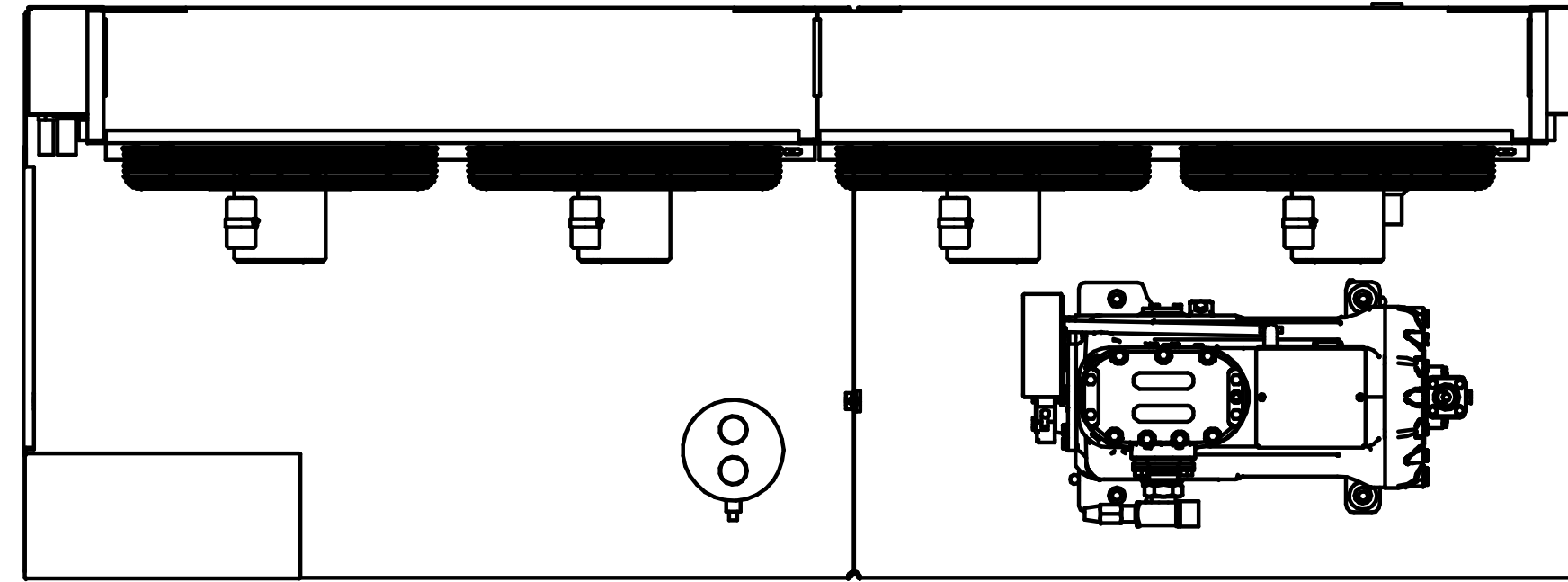
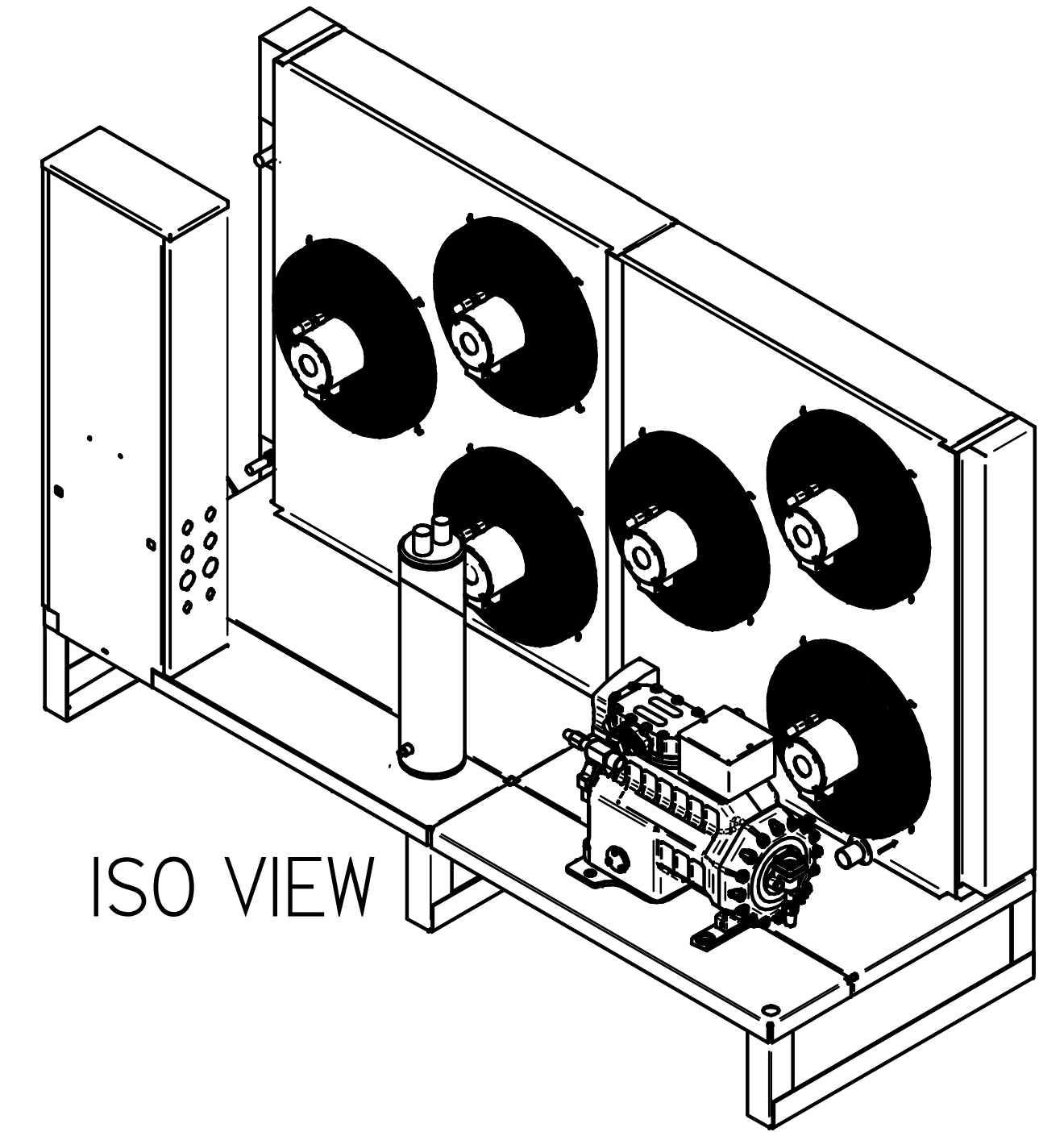


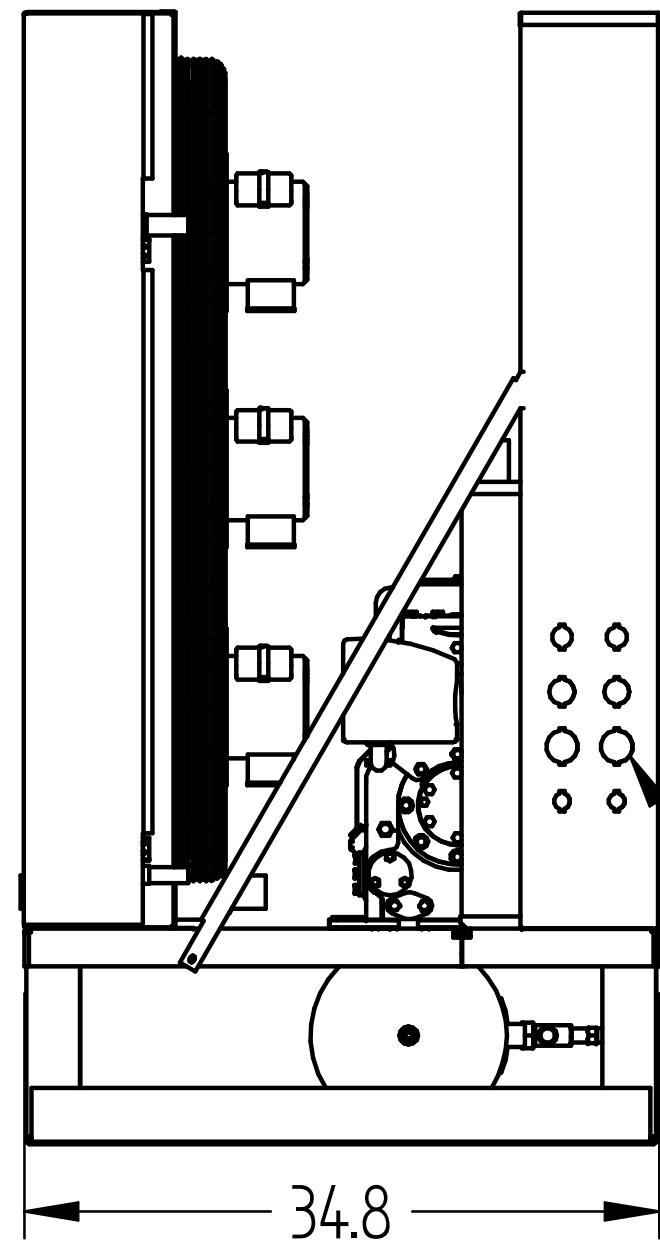
HIGH EFFICIENCY
 H-SERIES
 EXTRA LARGE SIZE
 INDOOR UNIT
 HEAVY DUTY BASE
 "HxHx-xxxxxxx-xx-x"
 WEIGHT: 1,575 LBS.



TOP VIEW

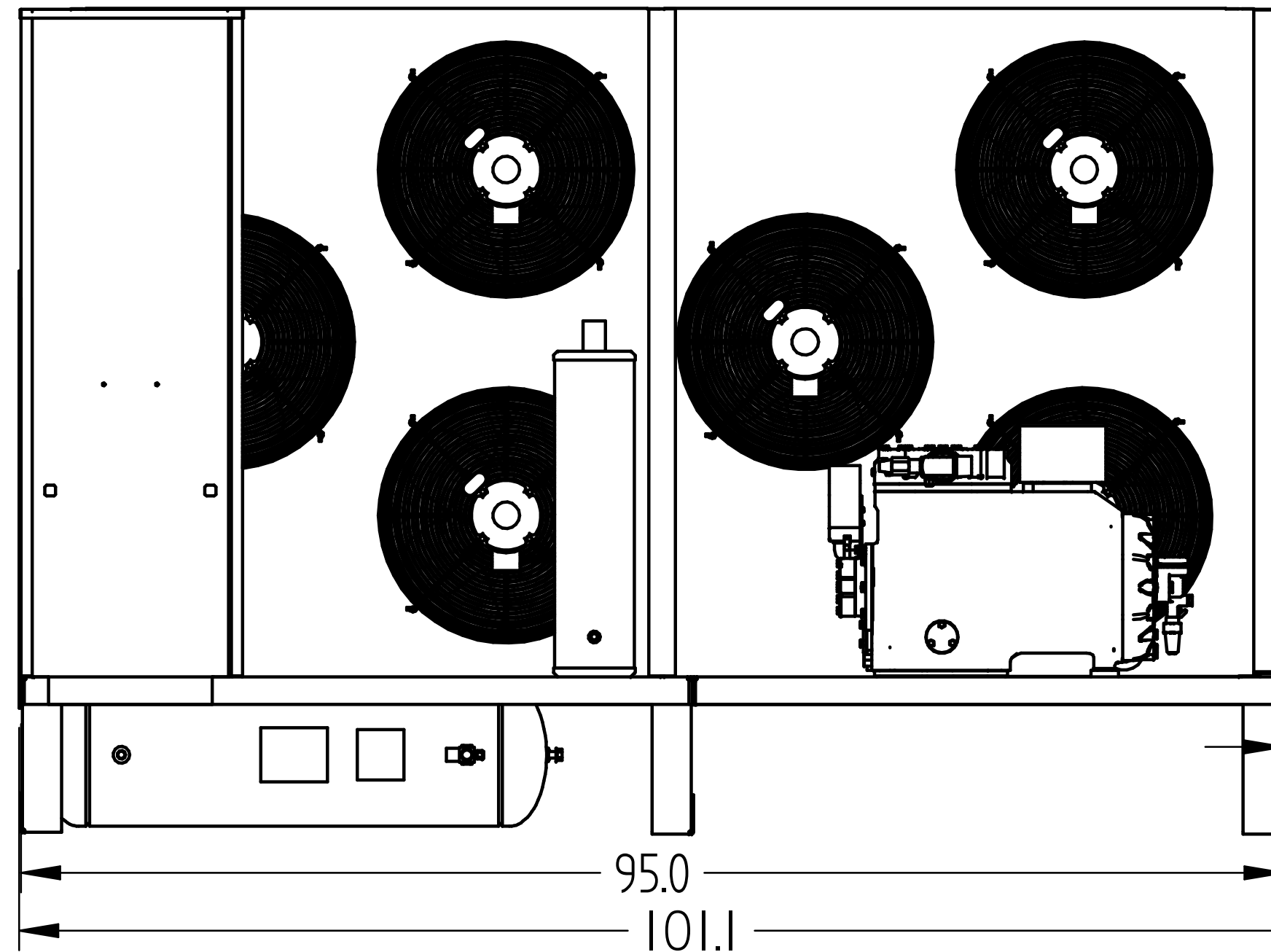


ISO VIEW



LEFT SIDE VIEW

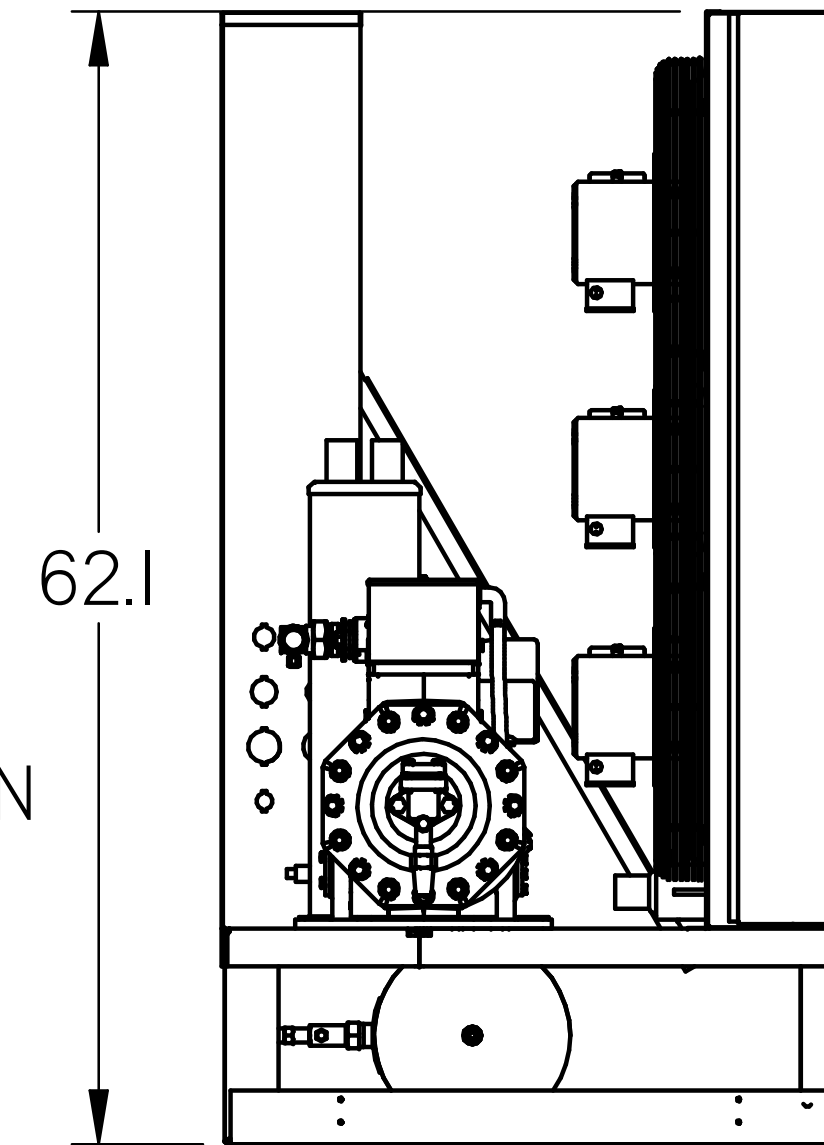
MAIN ELECTRICAL CONNECTION



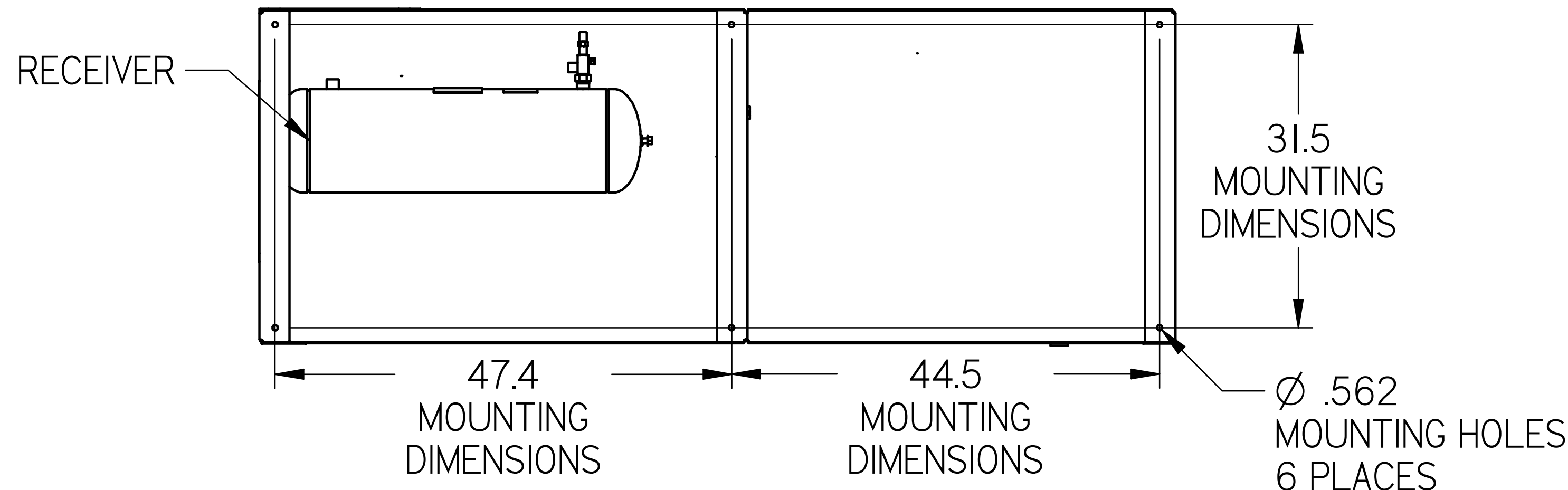
FRONT VIEW

PIPING EXTENSION

6.0 MAX.



RIGHT SIDE VIEW



BOTTOM VIEW

RECEIVER

31.5 MOUNTING DIMENSIONS

47.4 MOUNTING DIMENSIONS

44.5 MOUNTING DIMENSIONS

Ø .562 MOUNTING HOLES 6 PLACES

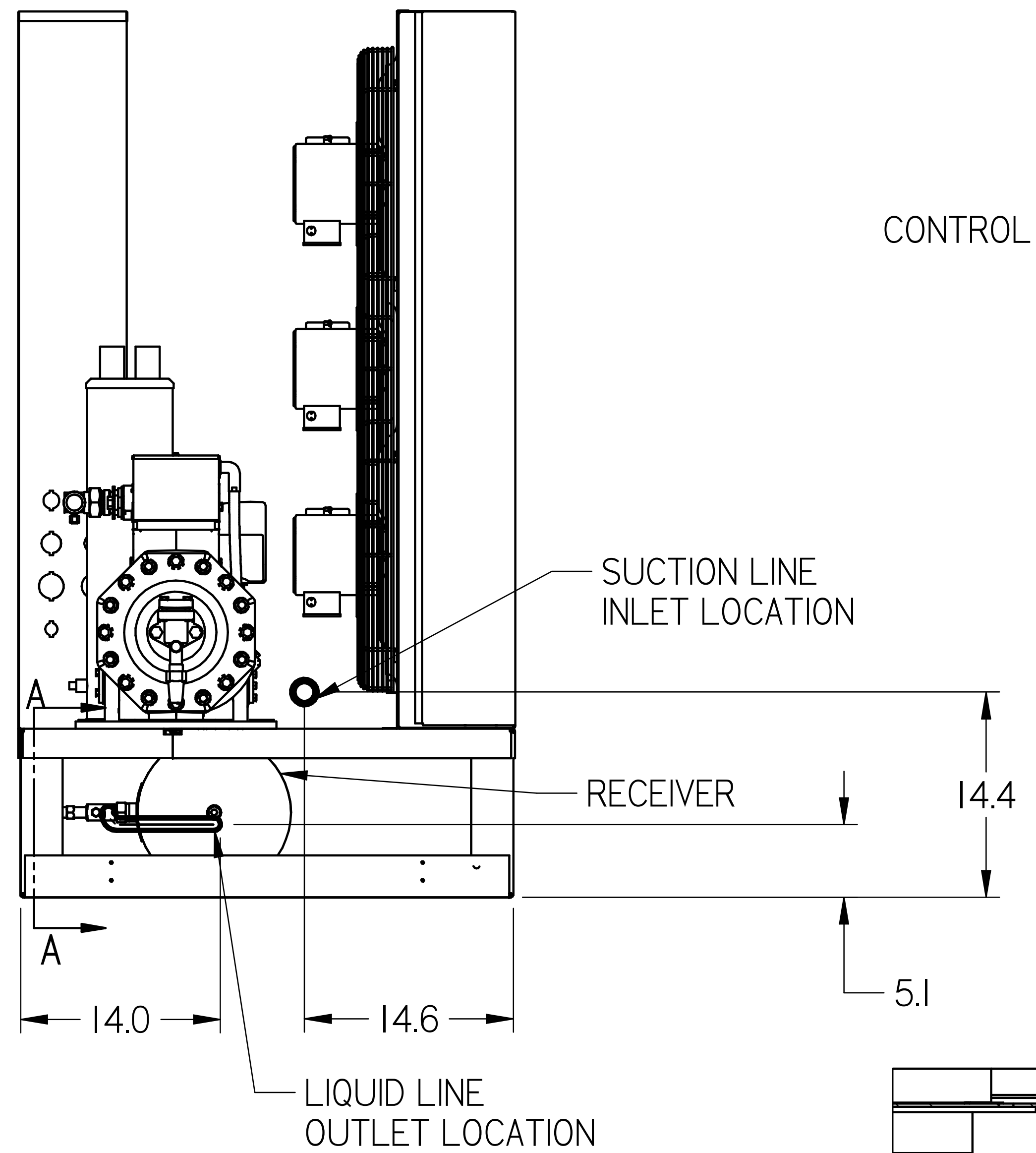
NOTES:

1. IT IS THE RESPONSIBILITY OF THE INSTALLING CONTRACTOR TO ENSURE THAT THE FINAL EQUIPMENT INSTALLATION MEETS ALL APPLICABLE CODE REQUIREMENTS.
2. ILLUSTRATION SHOWN IS FOR GENERAL REPRESENTATION ONLY. ACTUAL PRODUCT WILL VARY DEPENDENT UPON APPLICATION.
3. OVERALL DIMENSIONS: 101.1 L X 34.8 W X 62.1 H.

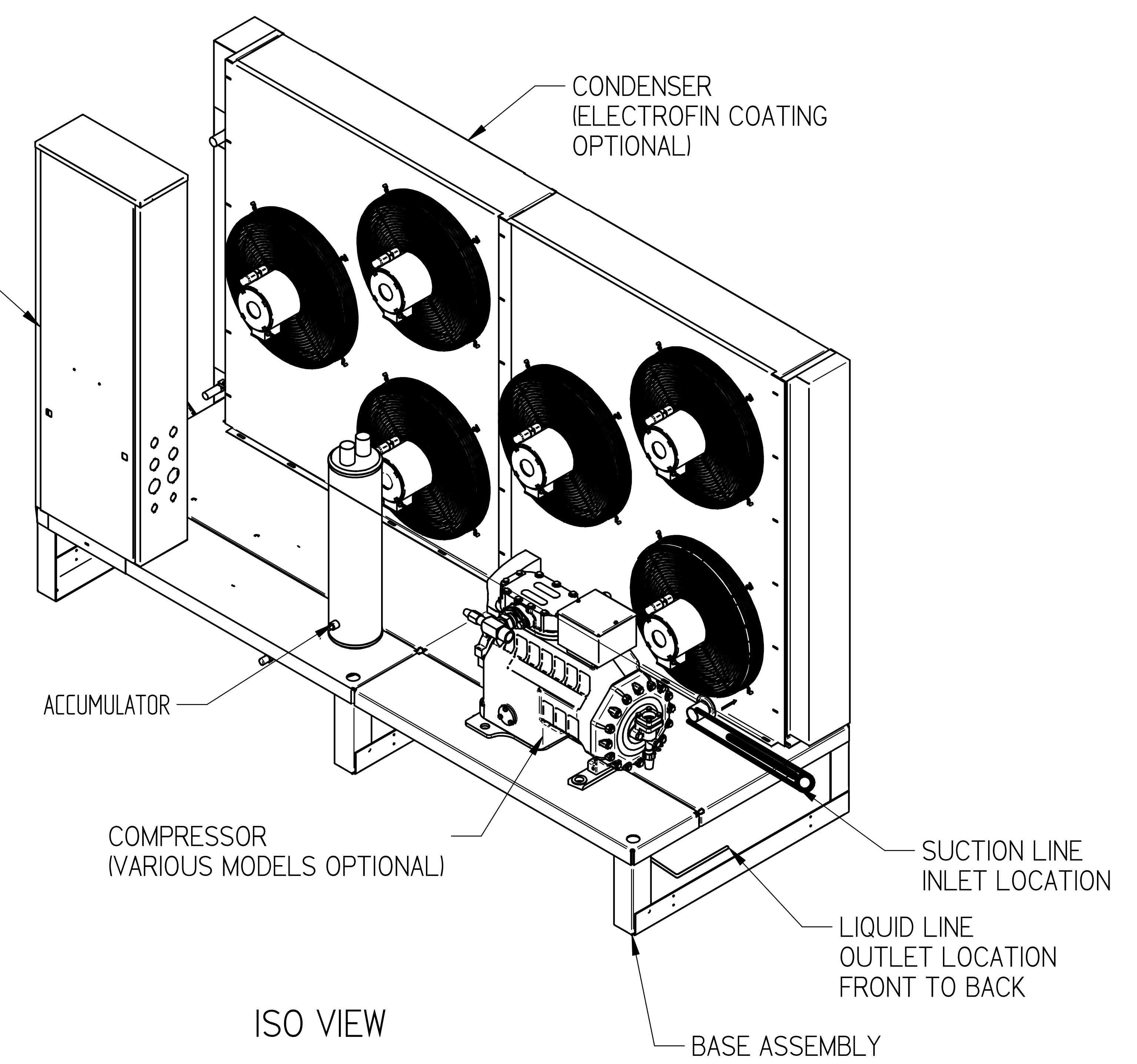
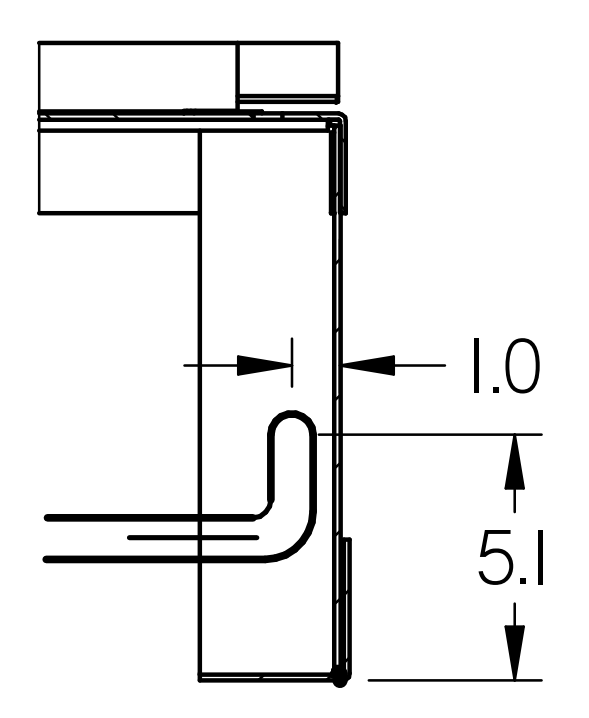
INFORMATION SUBJECT TO CHANGE

DIMENSIONS ARE IN INCHES		HUSSMANN [®]
DRAWN: DEC 2019		
	THIRD ANGLE PROJECTION	HIGH EFFICIENCY H-SERIES EXTRA LARGE INDOOR HD BASE
	SHEET 1 OF 3	DOC PD-000000012 REV D

SWN 1.0 SUBMITTAL SHEET SIZE D



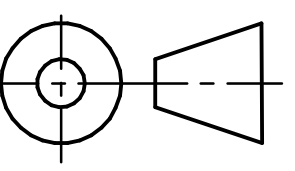
SECTION A-A



ISO VIEW

- NOTES:
1. IT IS THE RESPONSIBILITY OF THE INSTALLING CONTRACTOR TO ENSURE THAT THE FINAL EQUIPMENT INSTALLATION MEETS ALL APPLICABLE CODE REQUIREMENTS.
 2. ILLUSTRATION SHOWN IS FOR GENERAL REPRESENTATION ONLY. ACTUAL PRODUCT WILL VARY DEPENDENT UPON APPLICATION.
 3. OVERALL DIMENSIONS: 101.1 L X 34.8 W X 62.1 H.

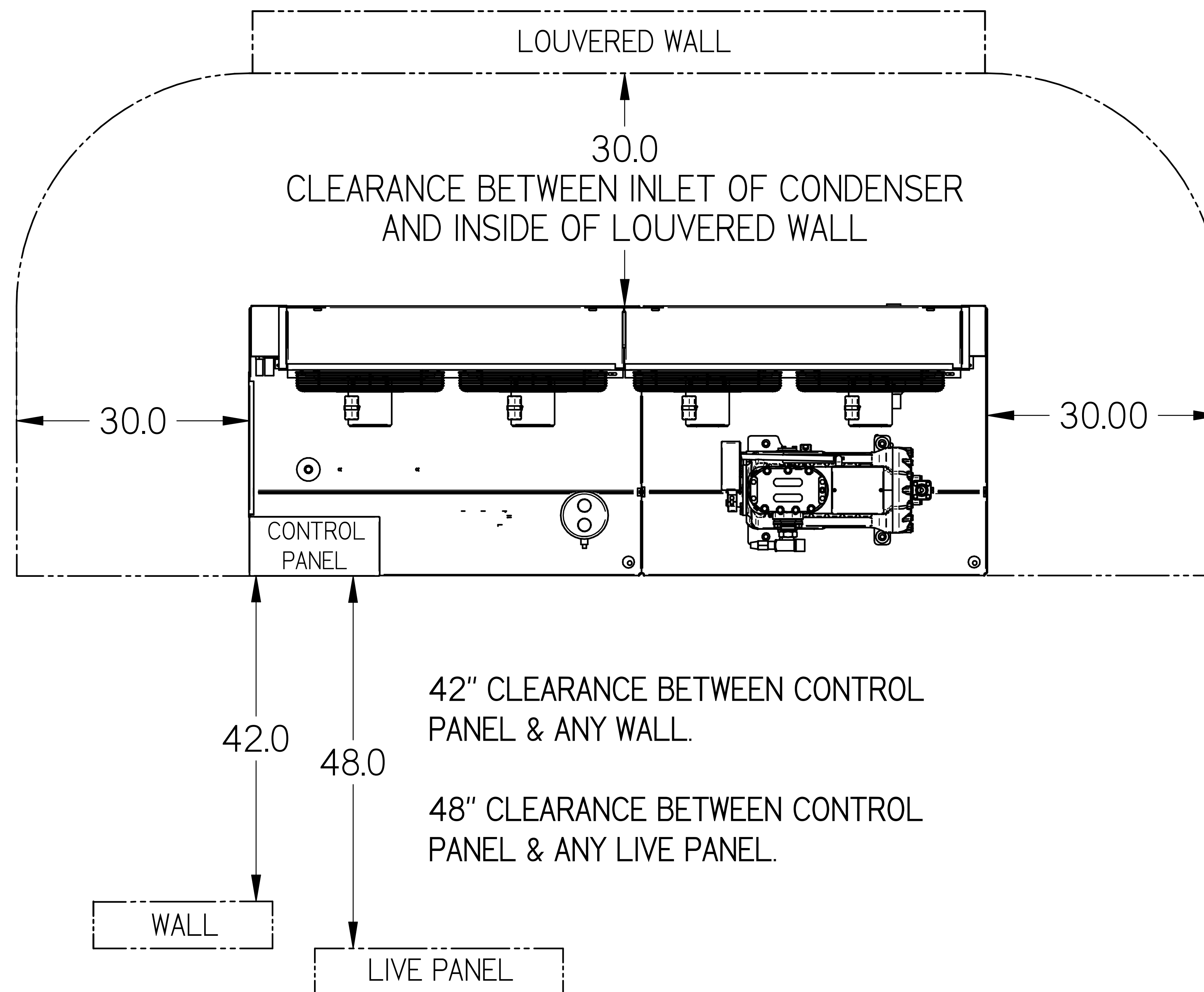
INFORMATION SUBJECT TO CHANGE

DIMENSIONS ARE IN INCHES	HUSSMANN [®]
DRAWN: DEC 2019	
 THIRD ANGLE PROJECTION	HIGH EFFICIENCY H-SERIES EXTRA LARGE INDOOR HD BASE
SHEET 2 OF 3	DOC PD-000000012 REV D

SWN 1.0 SUBMITTAL SHEET SIZE D

MINIMUM CLEARANCE REQUIREMENTS:

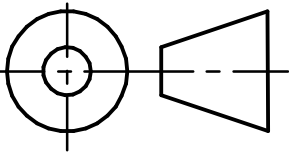
ACTUAL CLEARANCE REQUIREMENTS ARE DEPENDENT UPON AUTHORITY HAVING JURISDICTION, AND MAY EXCEED DIMENSIONS SHOWN.



NOTES:

1. IT IS THE RESPONSIBILITY OF THE INSTALLING CONTRACTOR TO ENSURE THAT THE FINAL EQUIPMENT INSTALLATION MEETS ALL APPLICABLE CODE REQUIREMENTS.
2. ILLUSTRATION SHOWN IS FOR GENERAL REPRESENTATION ONLY. ACTUAL PRODUCT WILL VARY DEPENDENT UPON APPLICATION.
3. OVERALL DIMENSIONS: 101.1 L X 34.8 W X 62.1 H.

INFORMATION SUBJECT TO CHANGE

DIMENSIONS ARE IN INCHES	HUSSmann [®]
DRAWN: DEC 2019	
 THIRD ANGLE PROJECTION	HIGH EFFICIENCY H-SERIES EXTRA LARGE INDOOR HD BASE
SHEET 3 OF 3	DOC PD-000000012 REV D

SWN 1.0 SUBMITTAL SHEET SIZE D