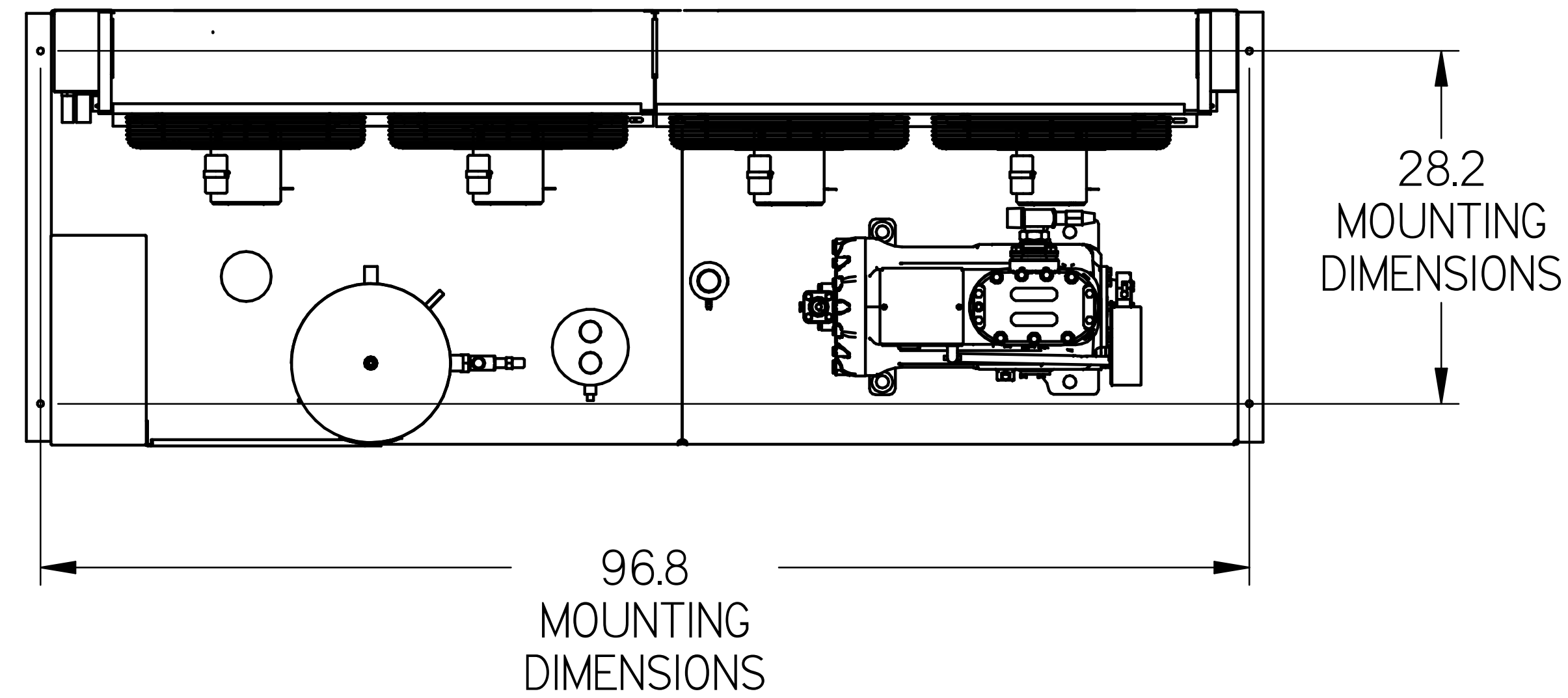
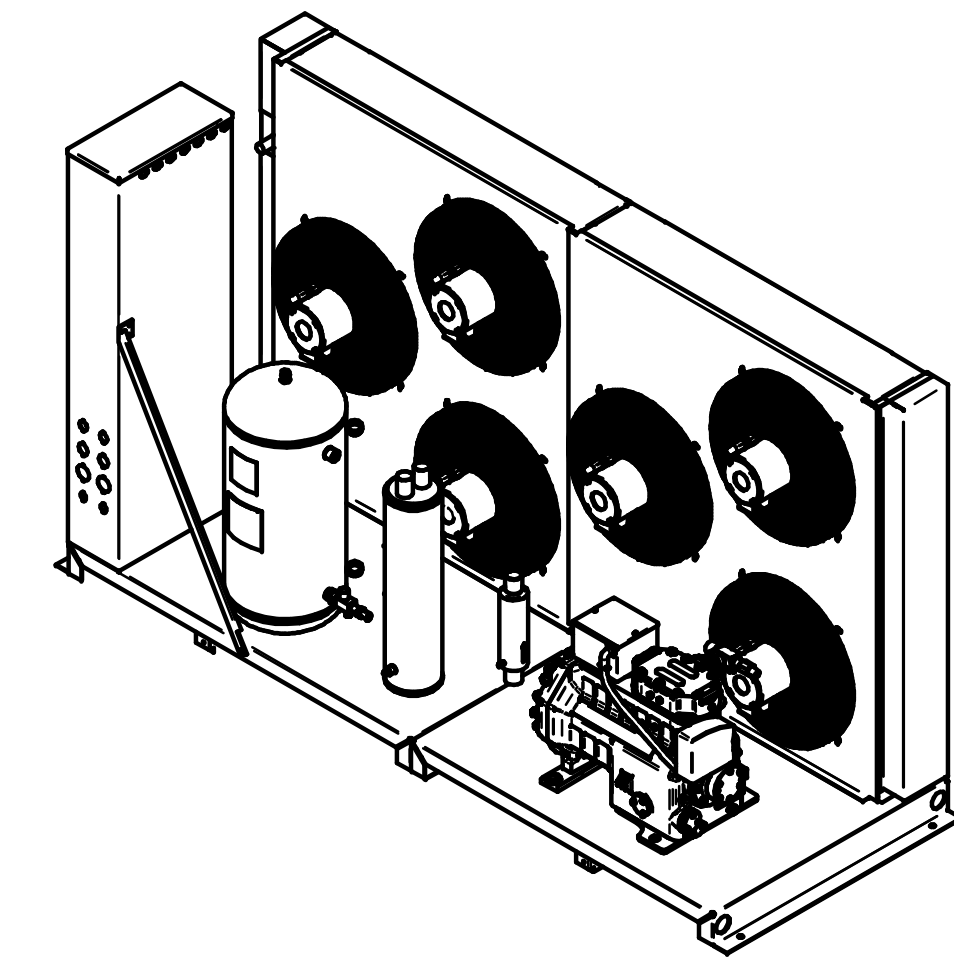


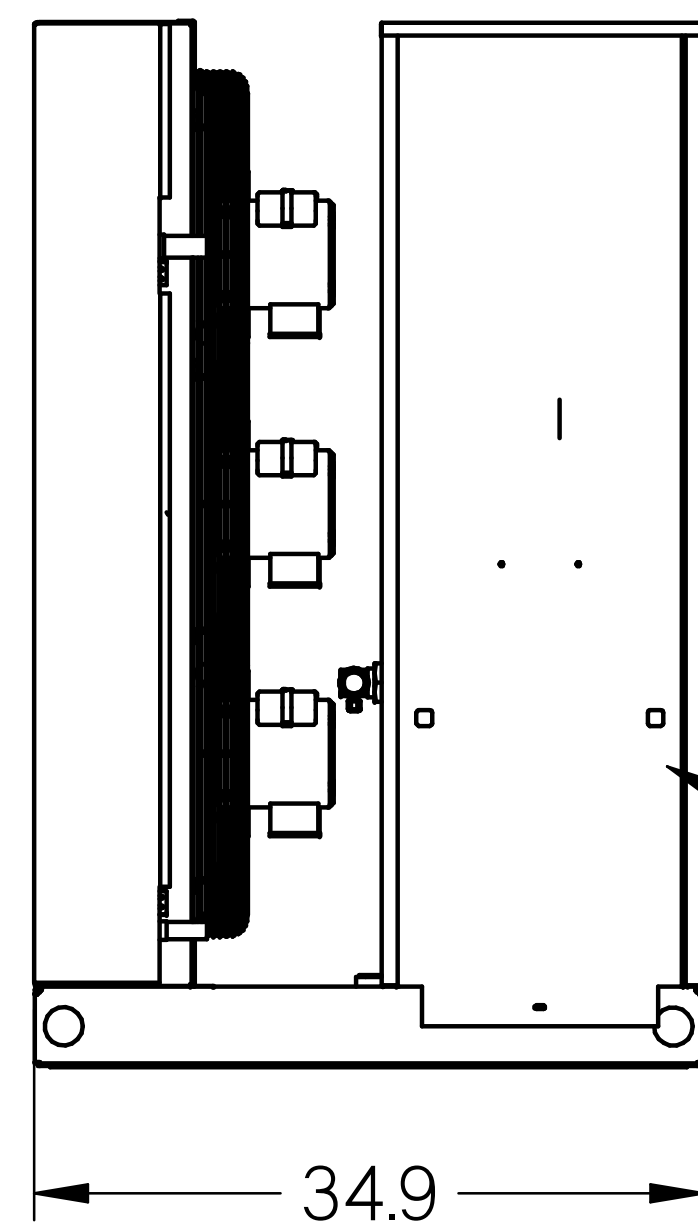
**HIGH EFFICIENCY**  
**H-SERIES**  
**EXTRA LARGE SIZE**  
**INDOOR UNIT**  
**STANDARD BASE**  
**"HxSx-xxxxxxx-xx-x"**  
**WEIGHT: 1,575 LBS.**



TOP VIEW

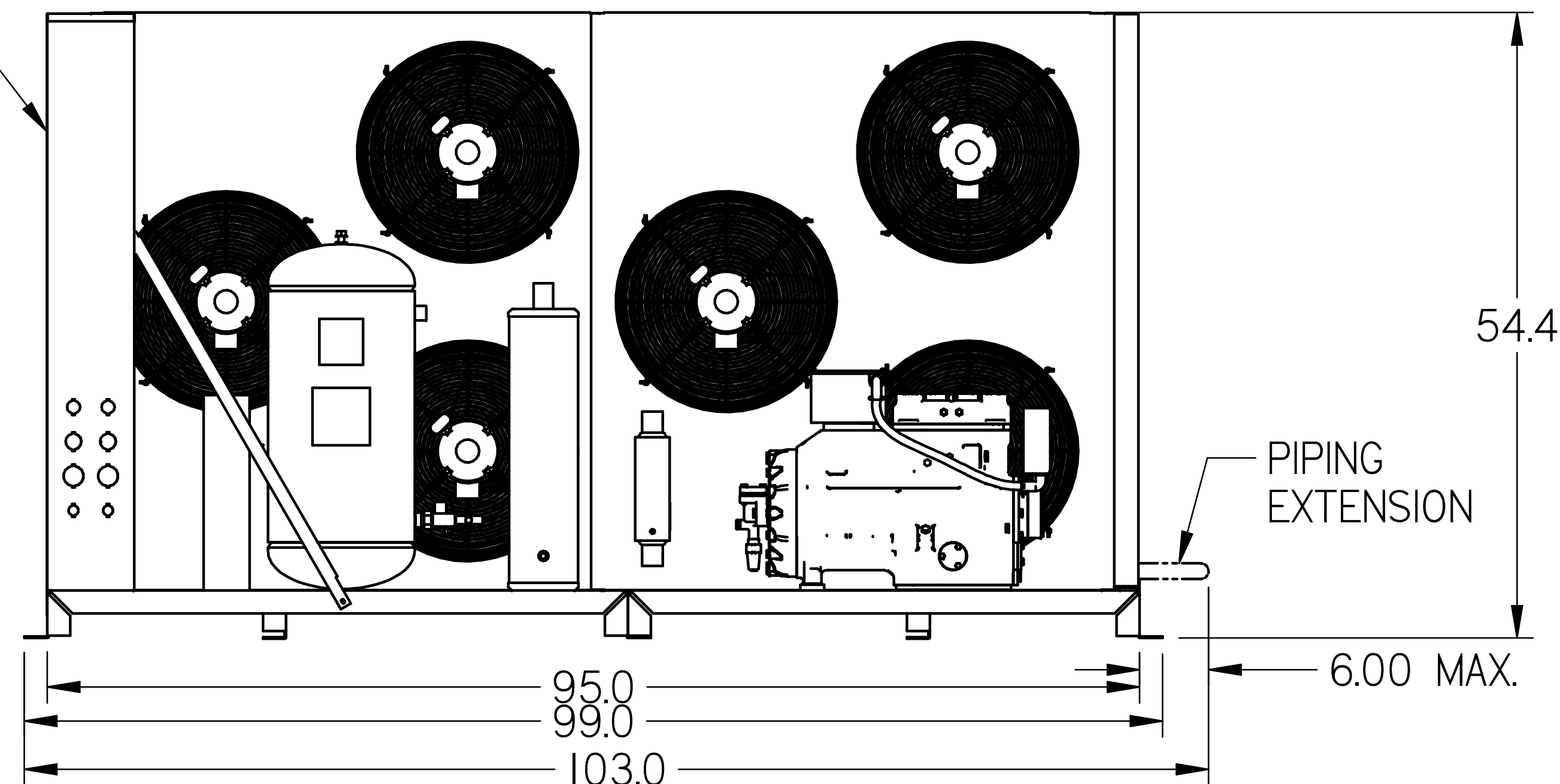


CONTROL PANEL  
FACING LEFT  
END OF UNIT

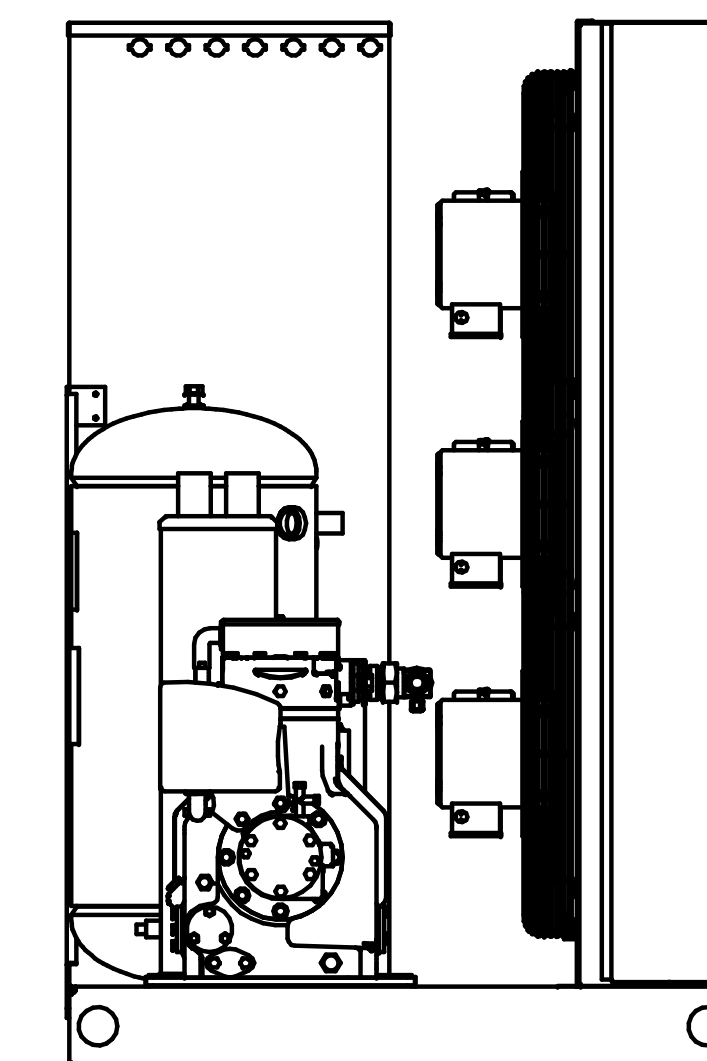


LEFT HAND VIEW

MAIN  
ELECTRICAL  
CONNECTION



FRONT VIEW

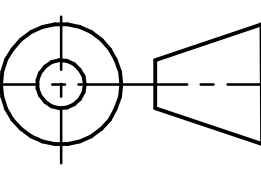


RIGHT SIDE VIEW

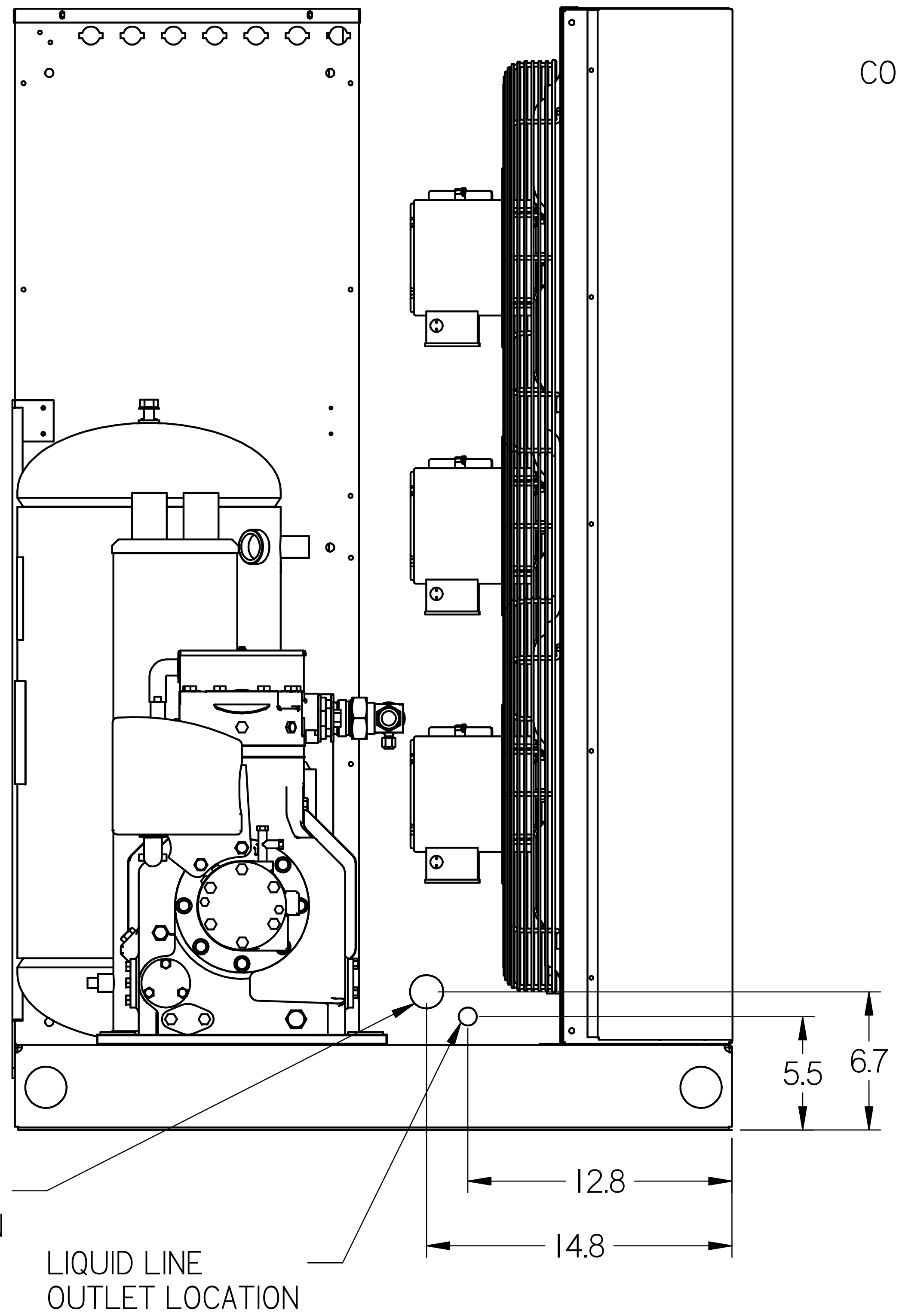
NOTES:

1. IT IS THE RESPONSIBILITY OF THE INSTALLING CONTRACTOR TO ENSURE THAT THE FINAL EQUIPMENT INSTALLATION MEETS ALL APPLICABLE CODE REQUIREMENTS.
2. ILLUSTRATION SHOWN IS FOR GENERAL REPRESENTATION ONLY. ACTUAL PRODUCT WILL VARY DEPENDENT UPON APPLICATION.
3. OVERALL DIMENSIONS: 103.0 L X 34.9 W X 54.4 H.

INFORMATION SUBJECT TO CHANGE

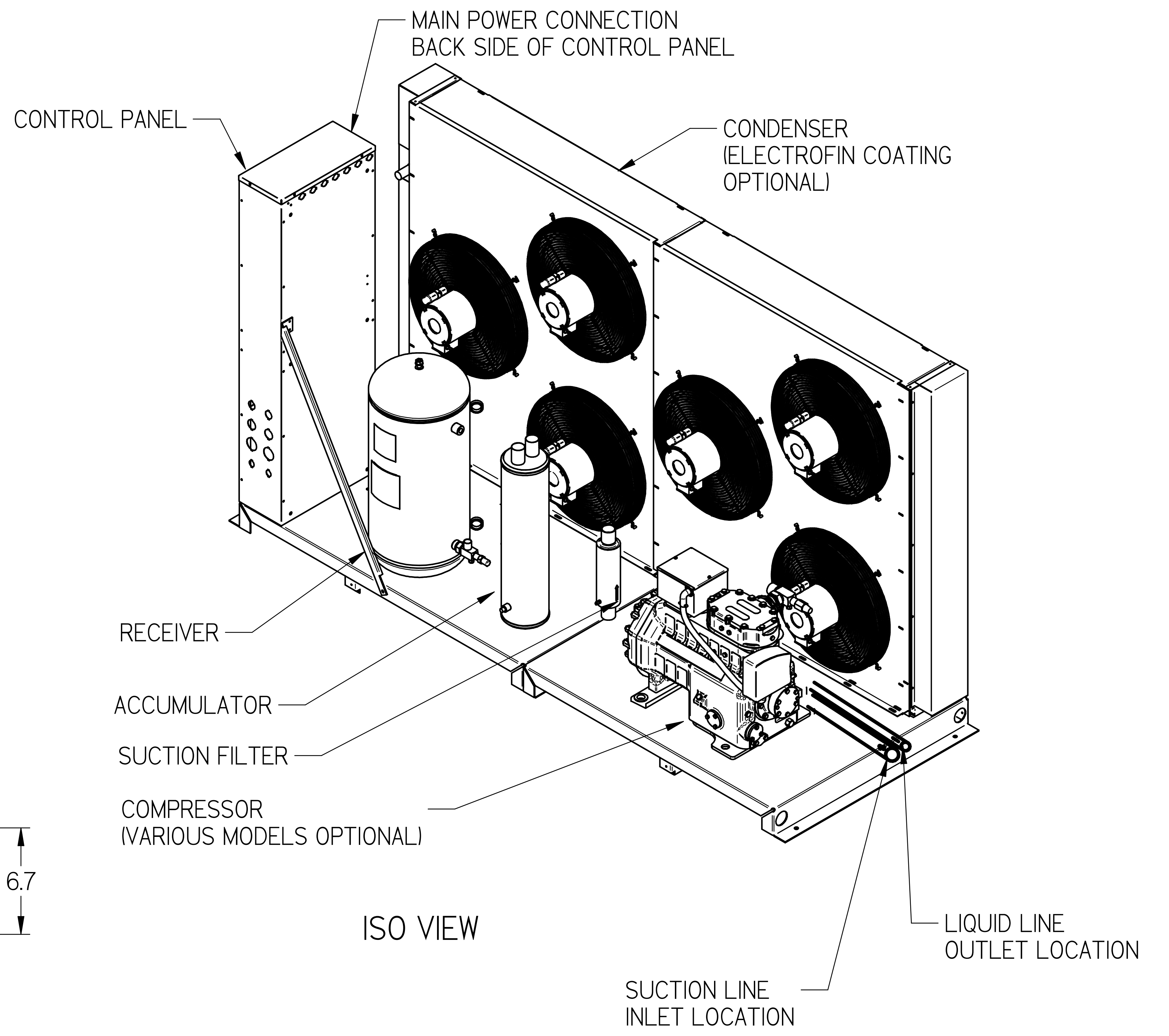
DIMENSIONS ARE IN INCHES	<b>HUSSMANN</b> <sup>®</sup>
DRAWN: DEC 2019	HIGH EFFICIENCY H-SERIES EXTRA LARGE INDOOR STD BASE
 THIRD ANGLE PROJECTION	DOC PD-000000007 REV D
SHEET 1 OF 3	

SWN 1.0 SUBMITTAL SHEET SIZE D



PIPING CONNECTION LOCATION  
OUT RIGHT SIDE OF UNIT

- NOTES:
1. IT IS THE RESPONSIBILITY OF THE INSTALLING CONTRACTOR TO ENSURE THAT THE FINAL EQUIPMENT INSTALLATION MEETS ALL APPLICABLE CODE REQUIREMENTS.
  2. ILLUSTRATION SHOWN IS FOR GENERAL REPRESENTATION ONLY. ACTUAL PRODUCT WILL VARY DEPENDENT UPON APPLICATION.
  3. OVERALL DIMENSIONS: 103.0 L X 34.9 W X 54.4 H.



ISO VIEW

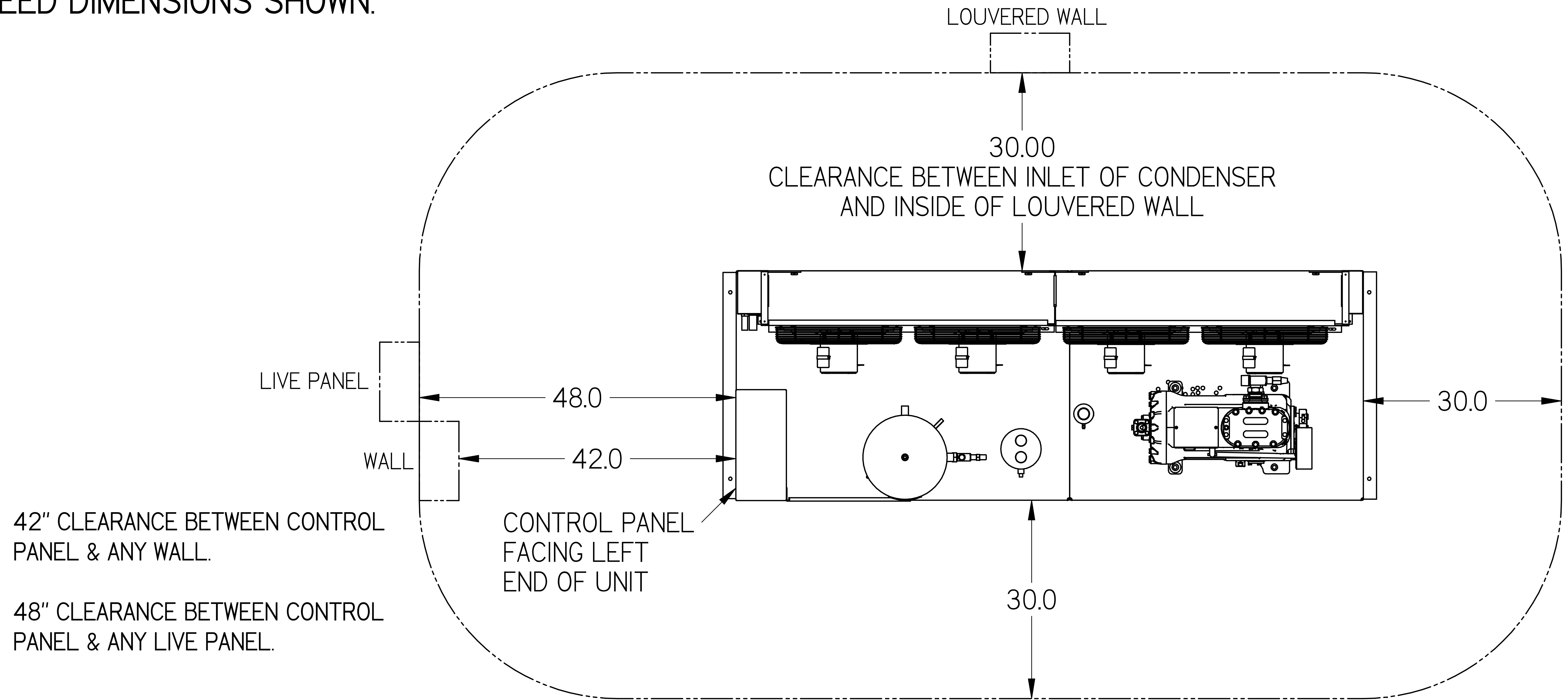
DIMENSIONS ARE IN INCHES		<b>HUSSMANN</b> <sup>®</sup>
DRAWN: DEC 2019		
	THIRD ANGLE PROJECTION	HIGH EFFICIENCY H-SERIES EXTRA LARGE INDOOR STD BASE
	SHEET 2 OF 3	

INFORMATION SUBJECT TO CHANGE

SWN 1.0 SUBMITTAL SHEET SIZE D

***MINIMUM CLEARANCE REQUIREMENTS:***

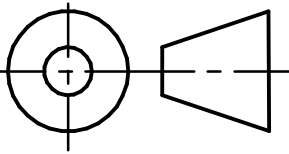
ACTUAL CLEARANCE REQUIREMENTS ARE DEPENDENT UPON AUTHORITY HAVING JURISDICTION, AND MAY EXCEED DIMENSIONS SHOWN.



NOTES:

1. IT IS THE RESPONSIBILITY OF THE INSTALLING CONTRACTOR TO ENSURE THAT THE FINAL EQUIPMENT INSTALLATION MEETS ALL APPLICABLE CODE REQUIREMENTS.
2. ILLUSTRATION SHOWN IS FOR GENERAL REPRESENTATION ONLY. ACTUAL PRODUCT WILL VARY DEPENDENT UPON APPLICATION.
3. OVERALL DIMENSIONS: 103.0 L X 34.9 W X 54.4 H.

INFORMATION SUBJECT TO CHANGE

DIMENSIONS ARE IN INCHES	<b>HUSSMANN</b> <sup>®</sup>
DRAWN: DEC 2019	
 THIRD ANGLE PROJECTION	HIGH EFFICIENCY H-SERIES EXTRA LARGE INDOOR STD BASE
SHEET 3 OF 3	DOC PD-000000007 REV D

SWN 1.0 SUBMITTAL SHEET SIZE D