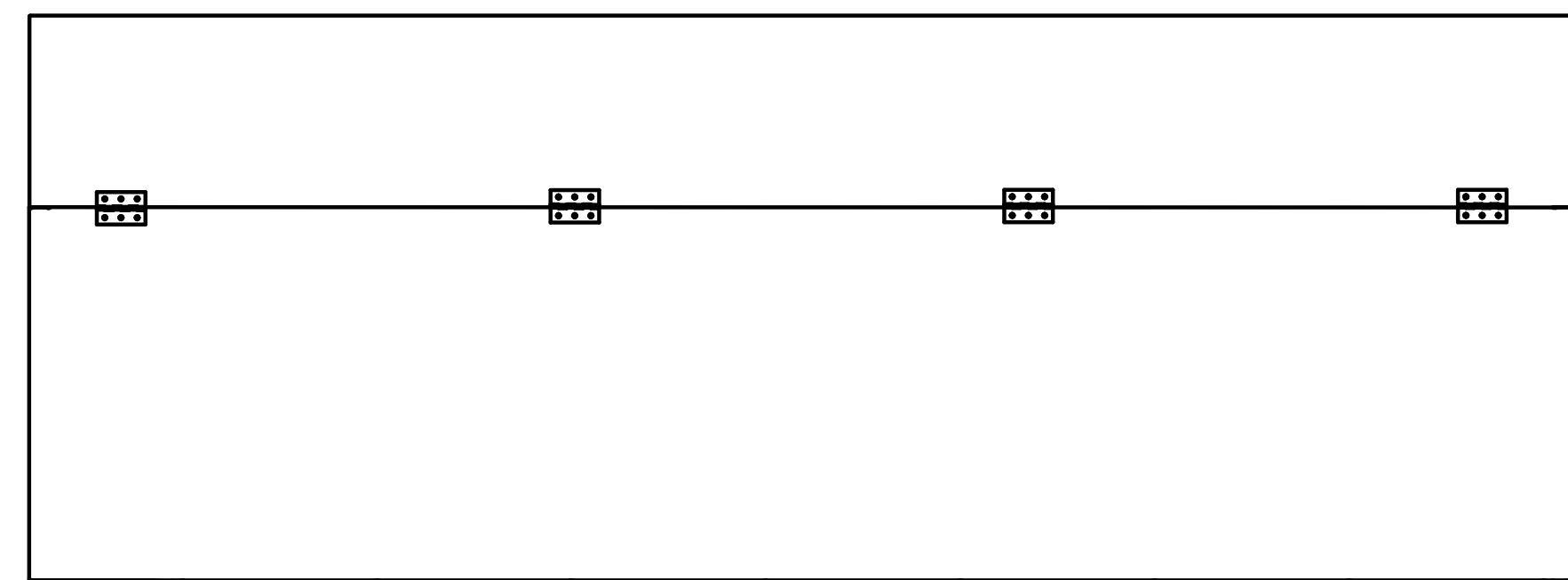


HIGH EFFICIENCY
 H-SERIES
 EXTRA LARGE SIZE
 OUTDOOR UNIT
 HEAVY DUTY BASE
 "HxHx-xxxxxxx-xx-x"
 WEIGHT: 1,575 LBS.

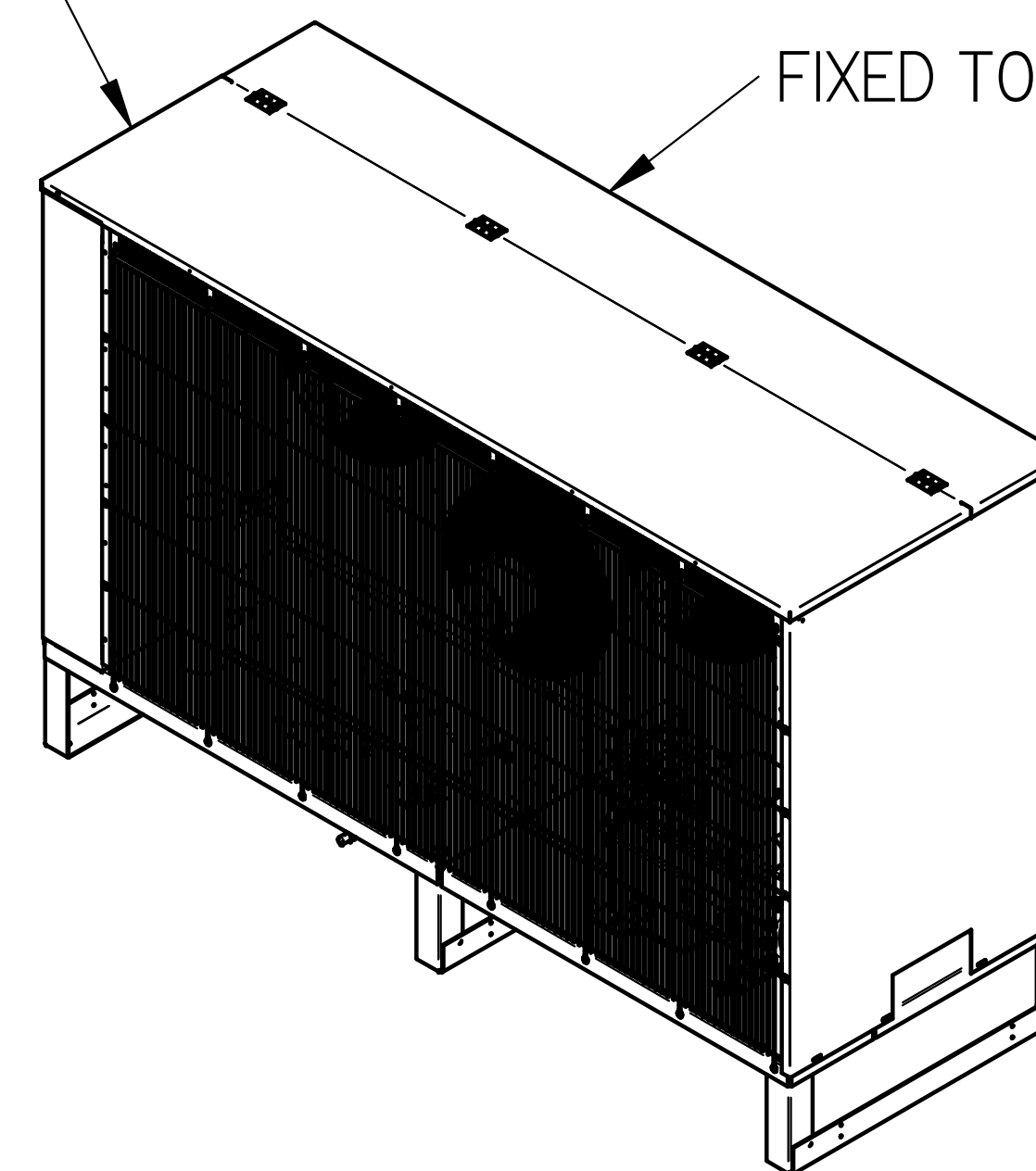


TOP VIEW

HINGED TOP FRONT PANEL

FIXED TOP REAR PANEL

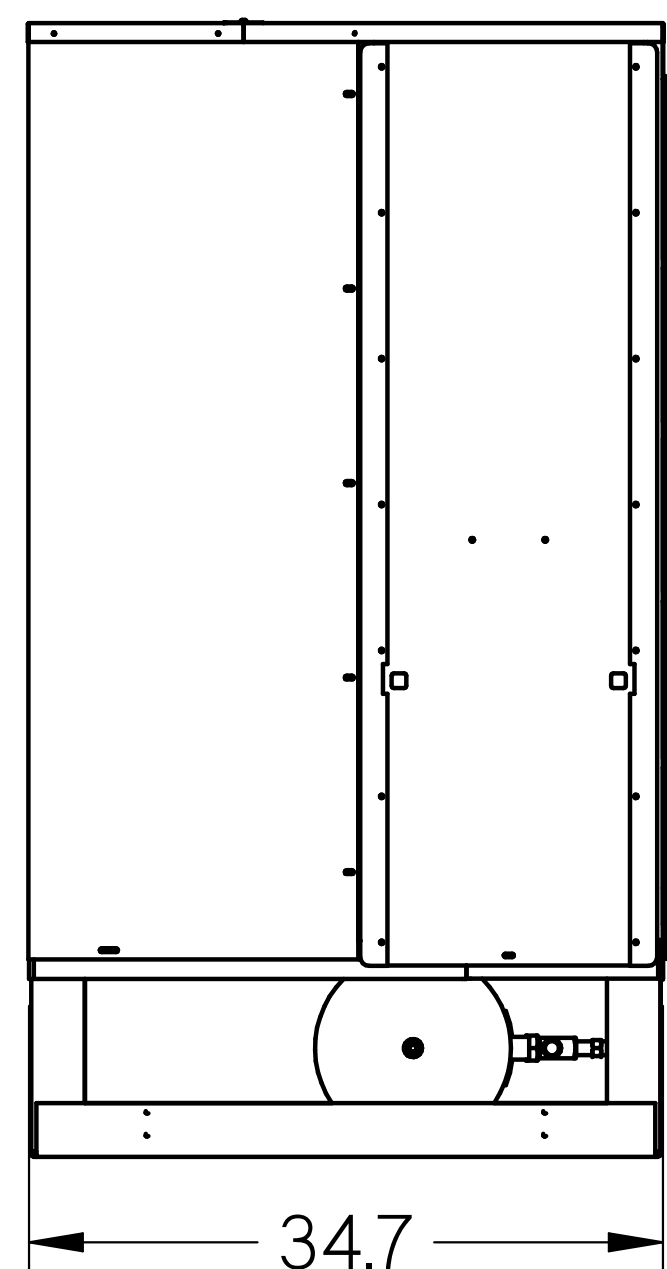
RIGHT END PANEL



ISO VIEW

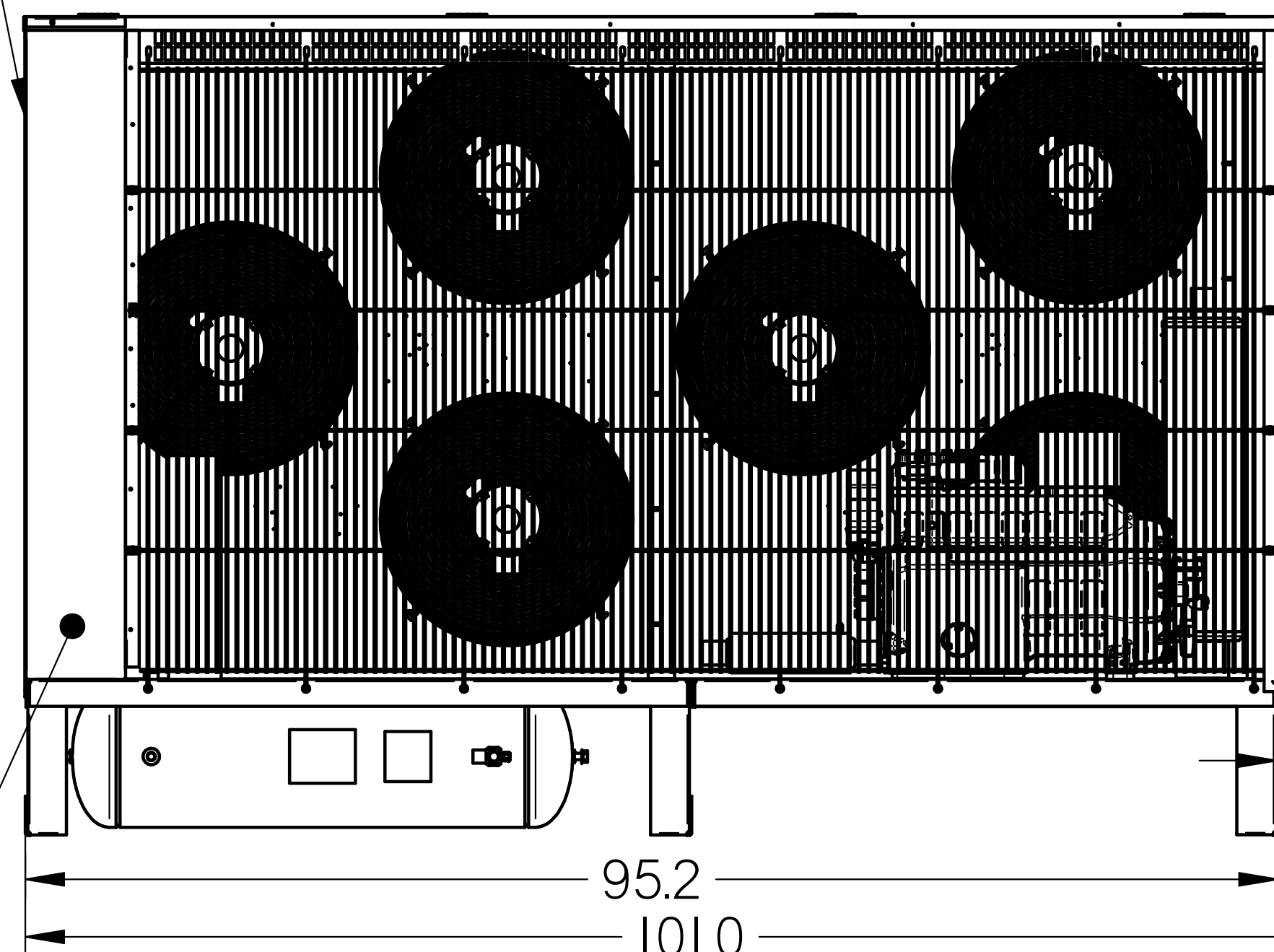
BASE ASSEMBLY

CONTROL PANEL
FACING LEFT
END OF UNIT



LEFT SIDE VIEW

FIELD LOCATE MAIN
ELECTRICAL CONNECTION
IN THIS AREA

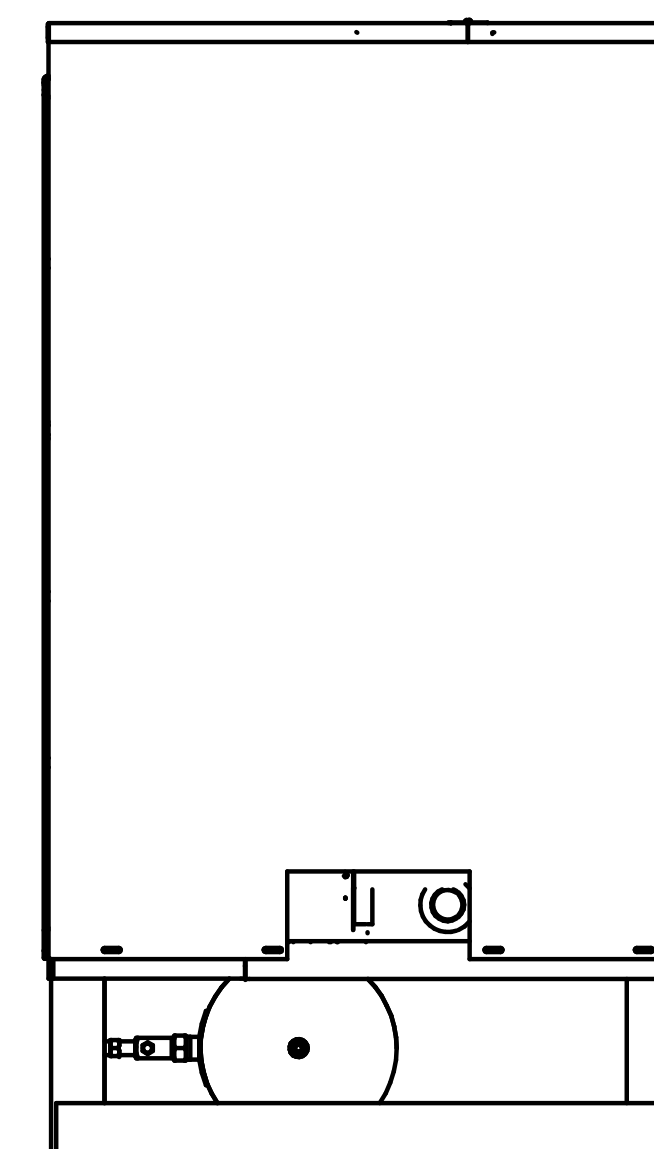


FRONT VIEW

PIPE
EXTENSION

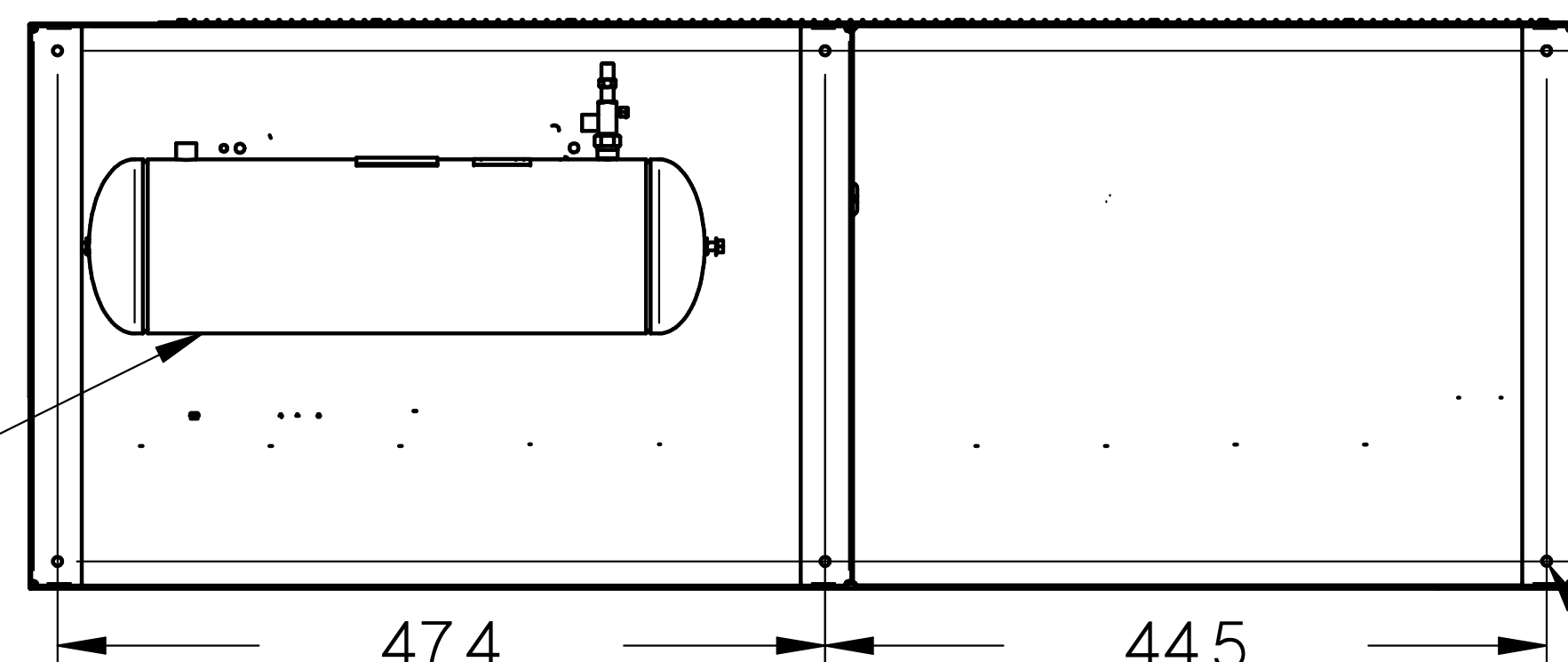
62.1

6.0
MAX.



RIGHT SIDE VIEW

RECEIVER



BOTTOM VIEW

31.5
MOUNTING
DIMENSIONS

47.4
MOUNTING
DIMENSIONS

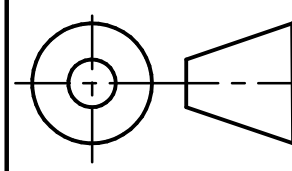
44.5
MOUNTING
DIMENSIONS

Ø .562
MOUNTING HOLES
6 PLACES

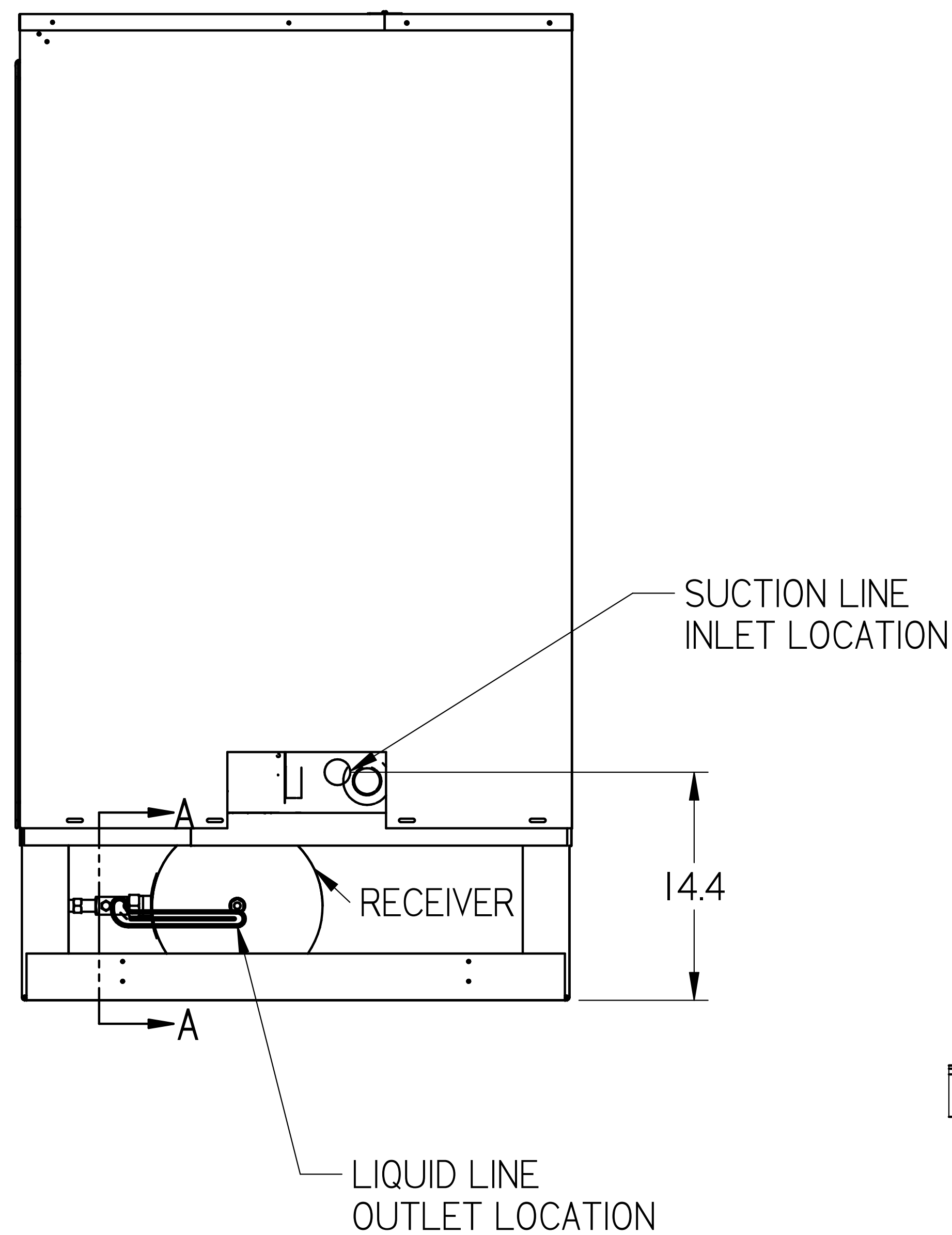
NOTES:

1. IT IS THE RESPONSIBILITY OF THE INSTALLING CONTRACTOR TO ENSURE THAT THE FINAL EQUIPMENT INSTALLATION MEETS ALL APPLICABLE CODE REQUIREMENTS.
2. ILLUSTRATION SHOWN IS FOR GENERAL REPRESENTATION ONLY. ACTUAL PRODUCT WILL VARY DEPENDENT UPON APPLICATION.
3. OVERALL DIMENSIONS: 101.0 L X 34.7 W X 62.1 H.

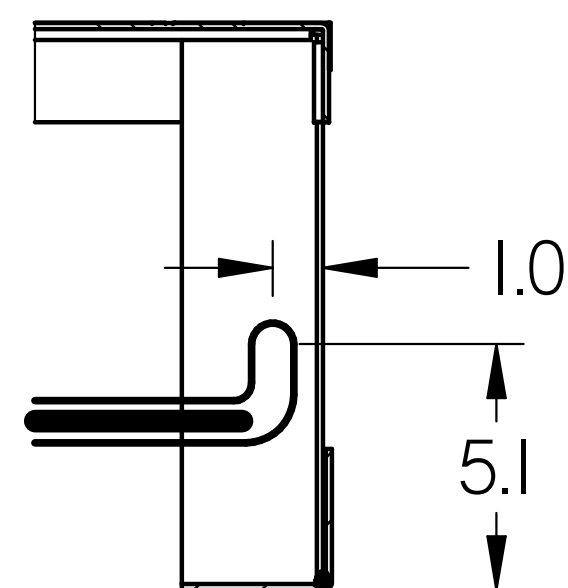
INFORMATION SUBJECT TO CHANGE

DIMENSIONS ARE IN INCHES. DATE DRAWN: 2017/09/14  THIRD ANGLE PROJECTION	HUSSMANN [®]
	HIGH EFFICIENCY H SERIES EXTRA LARGE OUTDOOR HD BASE
SHEET 1 OF 3	DOC PD-000000020 REV E

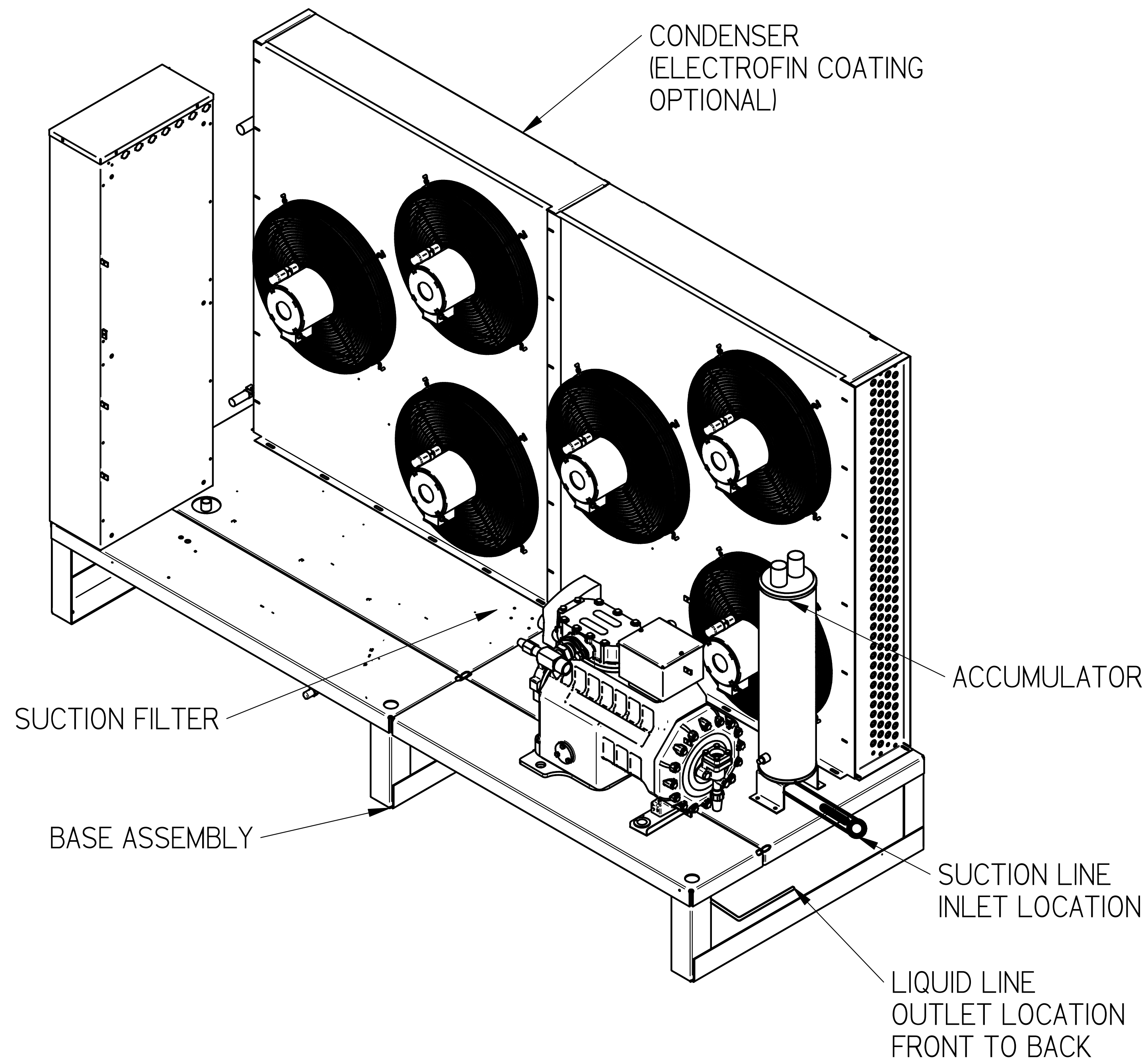
SWN1.0 SUBMITTAL SHEET SIZE D



PIPING CONNECTION LOCATION
OUT RIGHT SIDE OF UNIT



SECTION A-A

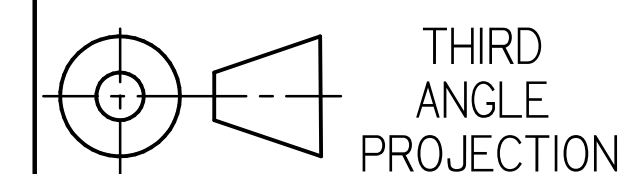


ISO VIEW WITH OUTDOOR HOUSING
REMOVED FOR CLARITY

NOTES:

1. IT IS THE RESPONSIBILITY OF THE INSTALLING CONTRACTOR TO ENSURE THAT THE FINAL EQUIPMENT INSTALLATION MEETS ALL APPLICABLE CODE REQUIREMENTS.
2. ILLUSTRATION SHOWN IS FOR GENERAL REPRESENTATION ONLY. ACTUAL PRODUCT WILL VARY DEPENDENT UPON APPLICATION.
3. OVERALL DIMENSIONS: 101.0 L X 34.7 W X 62.1 H.

DIMENSIONS ARE IN INCHES.
DATE DRAWN: 2017/09/14



SHEET 2 OF 3

HUSSMANN[®]

HIGH EFFICIENCY H
SERIES EXTRA LARGE
OUTDOOR HD BASE

DOC PD-00000020

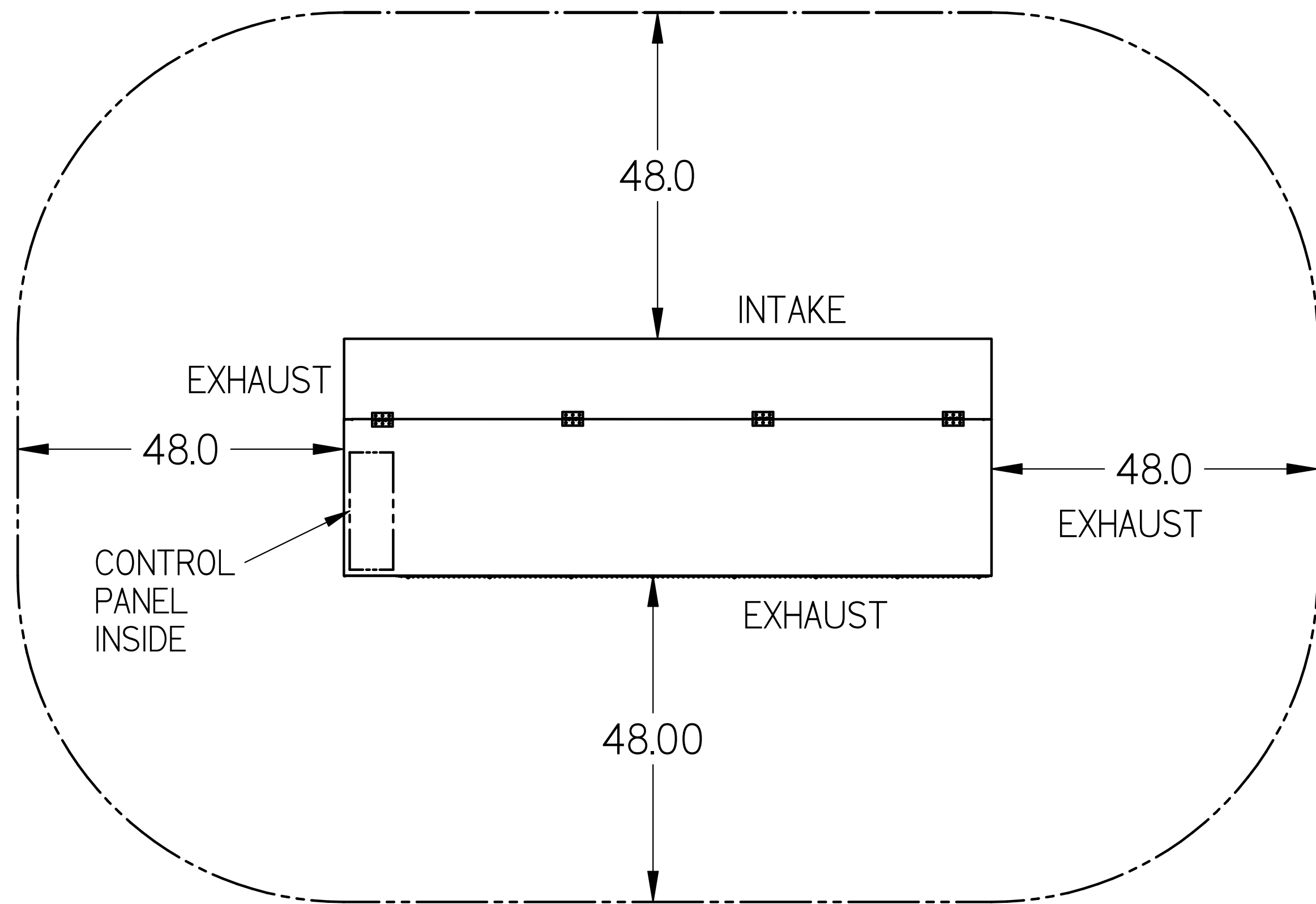
REV E

INFORMATION SUBJECT TO CHANGE

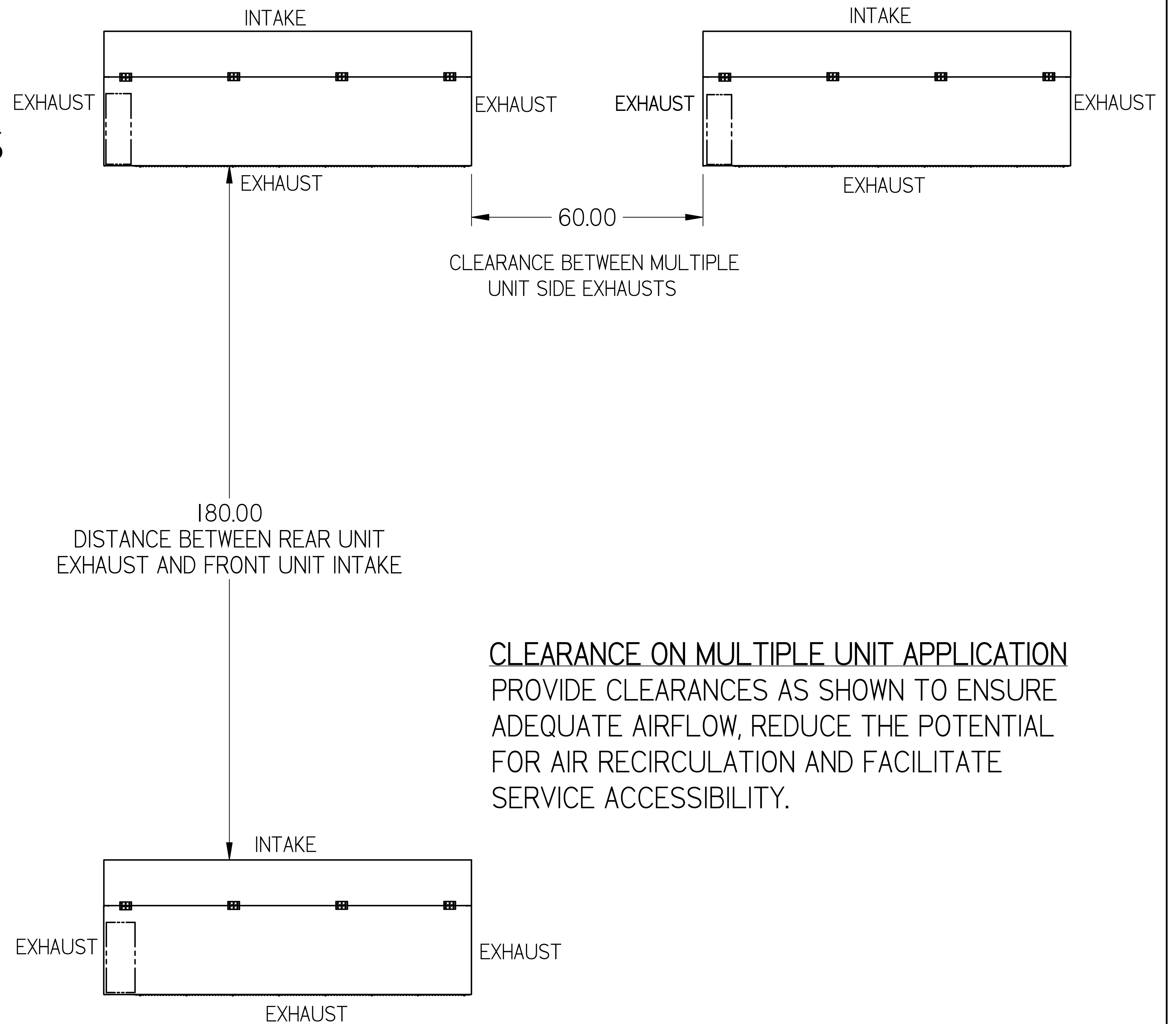
SWN 1.0 SUBMITTAL SHEET SIZE D

MINIMUM CLEARANCE REQUIREMENTS:

ACTUAL CLEARANCE REQUIREMENTS ARE DEPENDENT UPON AUTHORITY HAVING JURISDICTION, AND MAY EXCEED DIMENSIONS SHOWN.



CLEARANCE ON A SINGLE UNIT APPLICATION

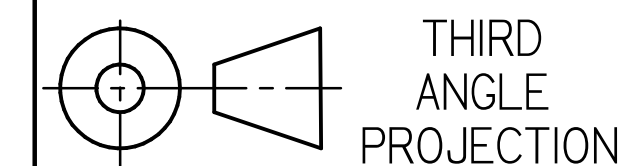


CLEARANCE ON MULTIPLE UNIT APPLICATION
 PROVIDE CLEARANCES AS SHOWN TO ENSURE ADEQUATE AIRFLOW, REDUCE THE POTENTIAL FOR AIR RECIRCULATION AND FACILITATE SERVICE ACCESSIBILITY.

NOTES:

1. IT IS THE RESPONSIBILITY OF THE INSTALLING CONTRACTOR TO ENSURE THAT THE FINAL EQUIPMENT INSTALLATION MEETS ALL APPLICABLE CODE REQUIREMENTS.
2. ILLUSTRATION SHOWN IS FOR GENERAL REPRESENTATION ONLY. ACTUAL PRODUCT WILL VARY DEPENDENT UPON APPLICATION.
3. OVERALL DIMENSIONS: 101.0 L X 34.7 W X 62.1 H.

DIMENSIONS ARE IN INCHES.
 DATE DRAWN: 2017/09/14



HUSSMANN®

HIGH EFFICIENCY H
 SERIES EXTRA LARGE
 OUTDOOR HD BASE

INFORMATION SUBJECT TO CHANGE

SHEET 3 OF 3

DOC PD-000000020 REV E

SWN1.0 SUBMITTAL SHEET SIZE D