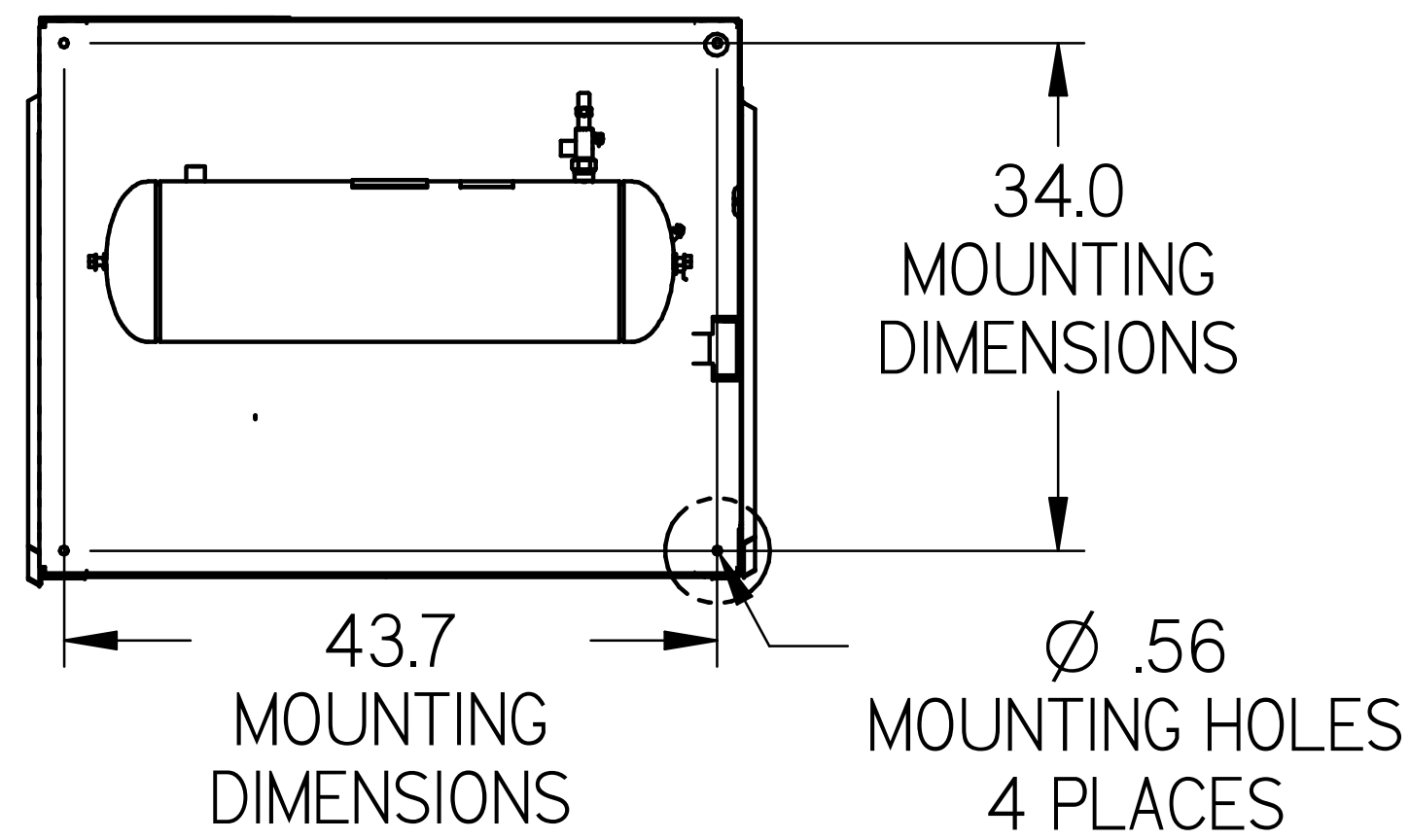
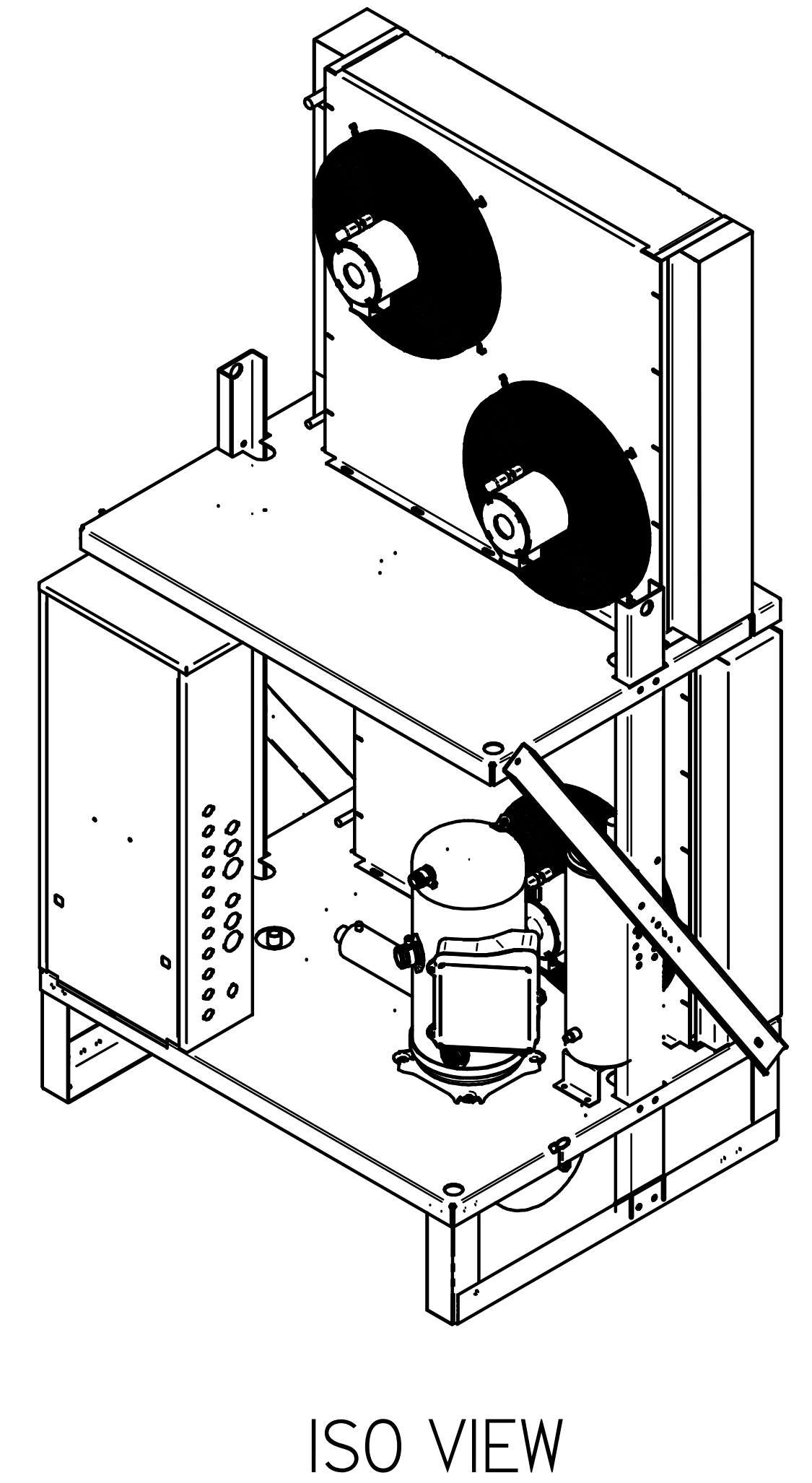
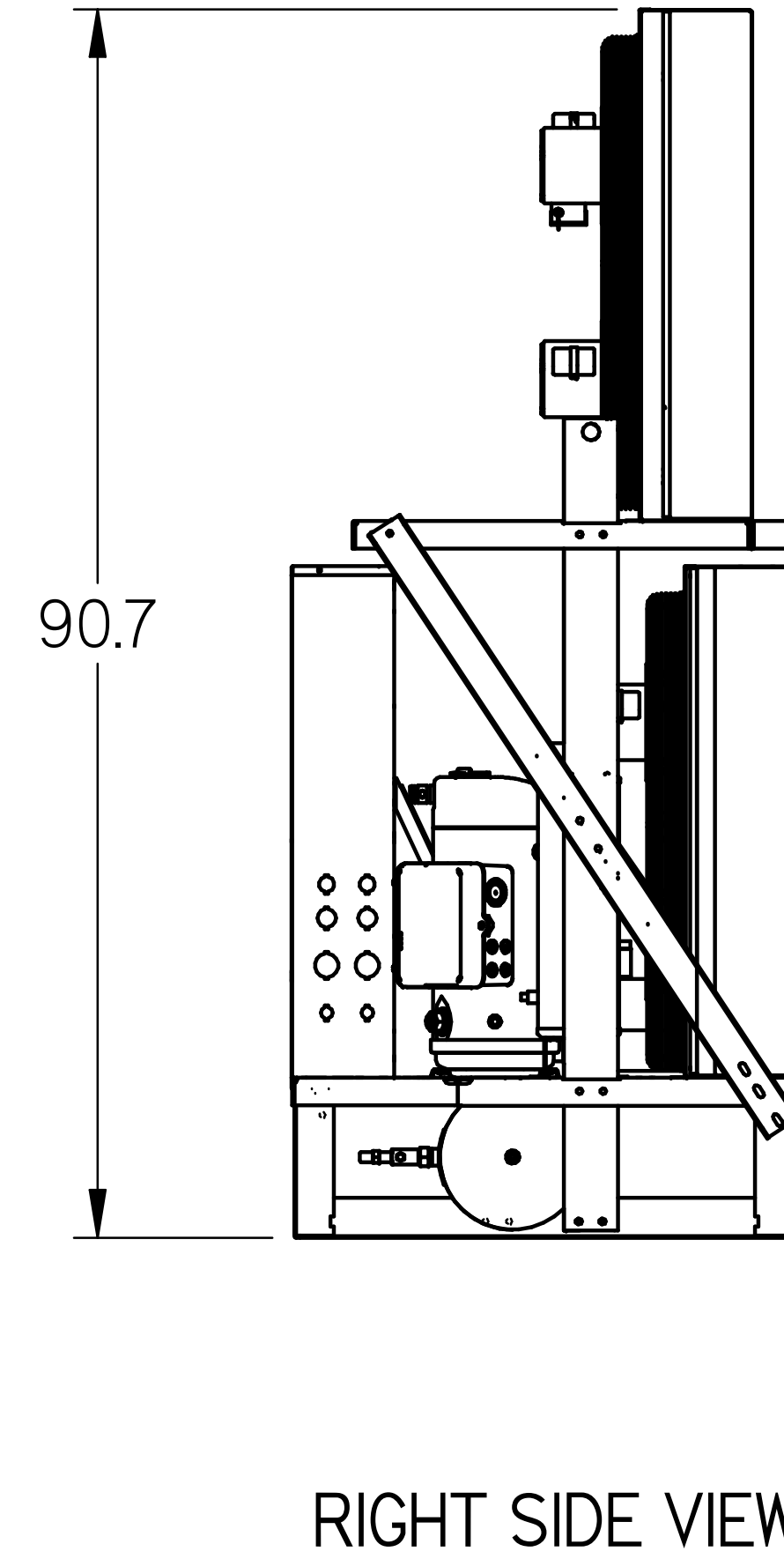
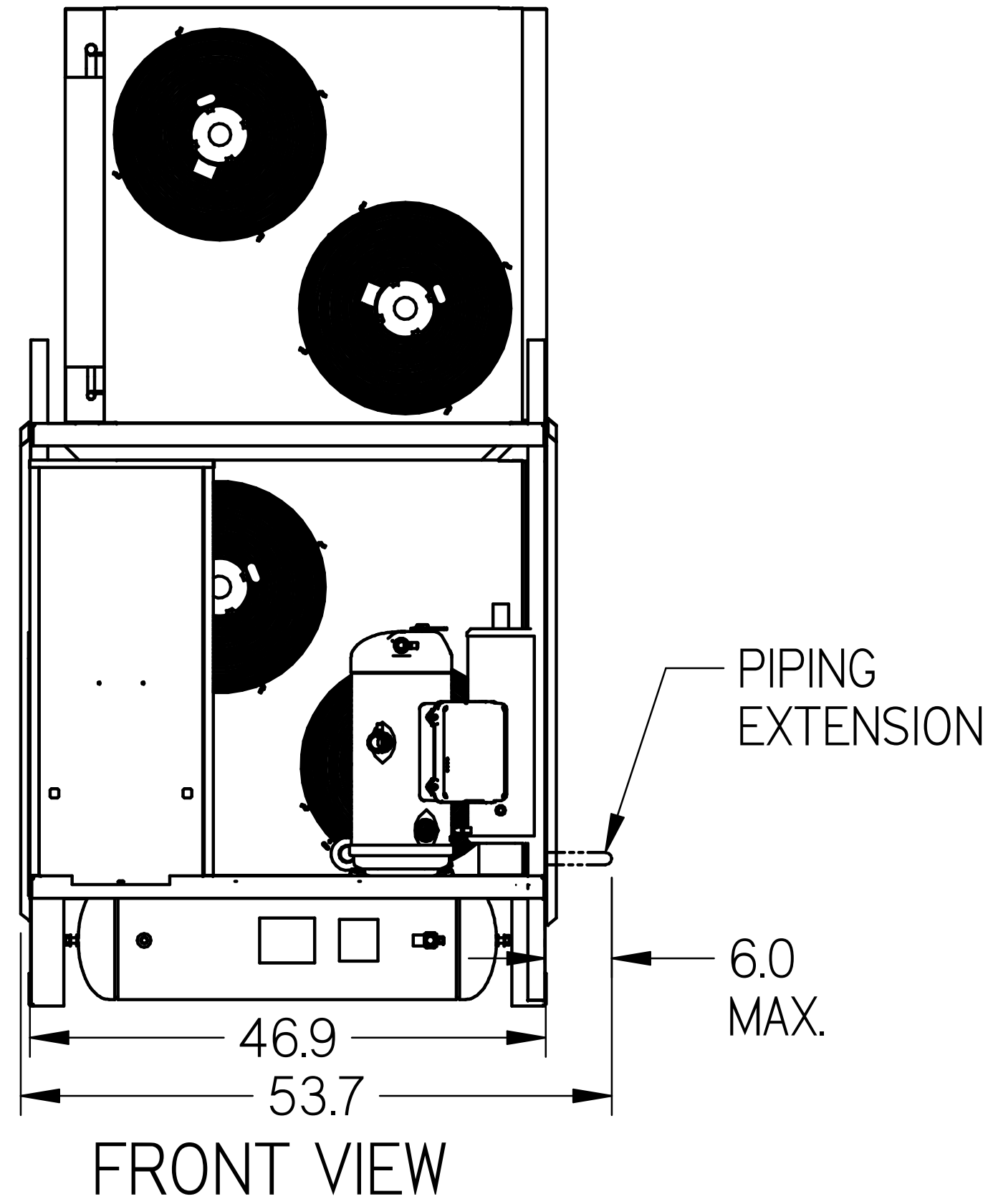
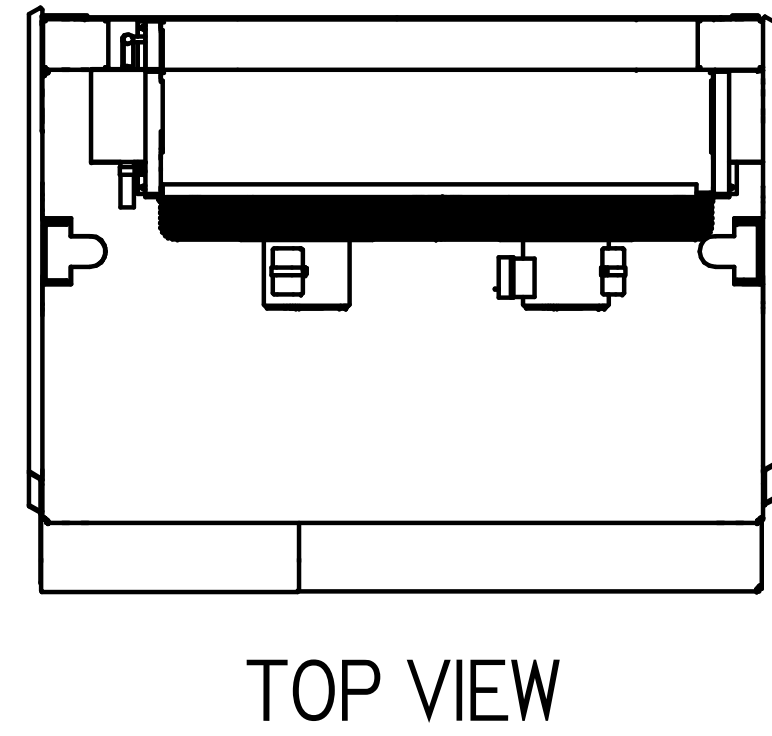
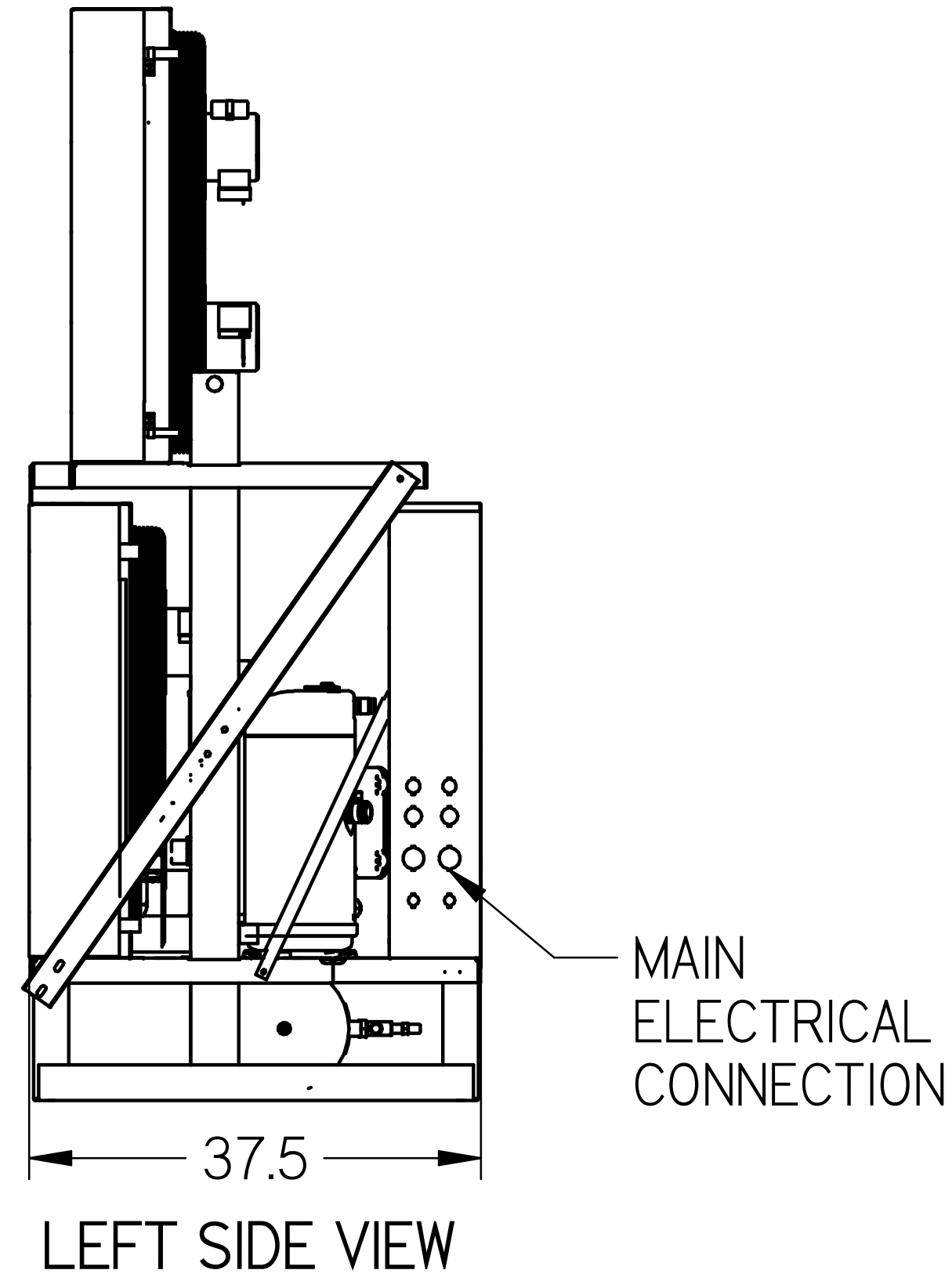
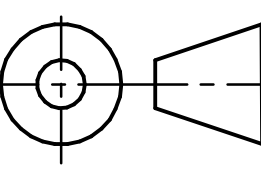


HIGH EFFICIENCY
 H-SERIES
 LARGE SIZE
 INDOOR UNIT
 HEAVY DUTY BASE
 "HxHx-xxxxxxx-xx-x"
 WEIGHT: 1,250 LBS.



- NOTES:
1. IT IS THE RESPONSIBILITY OF THE INSTALLING CONTRACTOR TO ENSURE THAT THE FINAL EQUIPMENT INSTALLATION MEETS ALL APPLICABLE CODE REQUIREMENTS.
 2. ILLUSTRATION SHOWN IS FOR GENERAL REPRESENTATION ONLY. ACTUAL PRODUCT WILL VARY DEPENDENT UPON APPLICATION.
 3. OVERALL DIMENSIONS: 53.7 L X 37.5 W X 90.7 H.

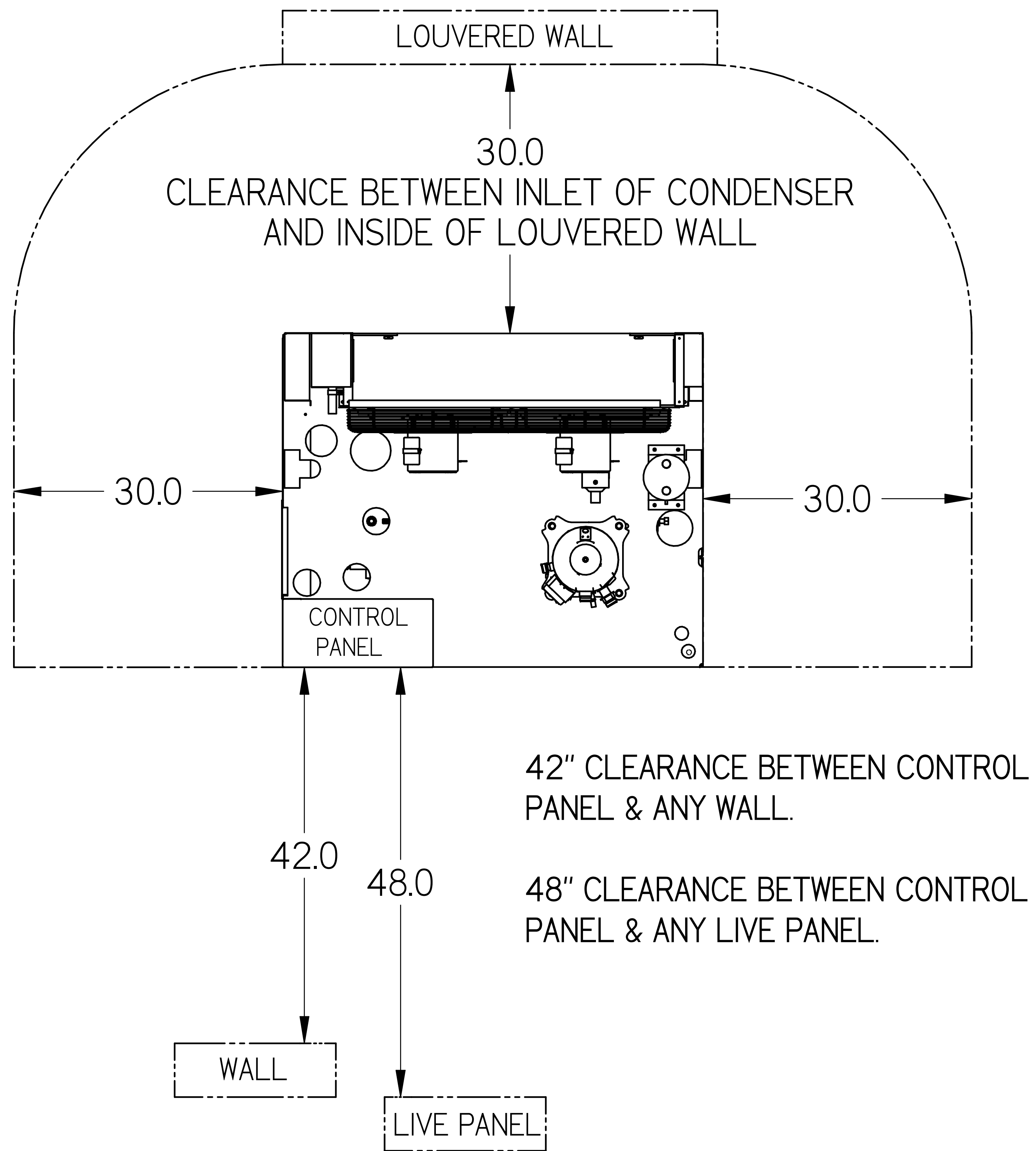
INFORMATION SUBJECT TO CHANGE

DIMENSIONS ARE IN INCHES	HUSSMANN [®]
DRAWN: DEC 2019	
 THIRD ANGLE PROJECTION	HIGH EFFICIENCY H-SERIES LARGE INDOOR HD BASE
SHEET 1 OF 2	DOC PD-000000011 REV D

SHEET 1 OF 2 SUBMITTAL SHEET SIZE D

MINIMUM CLEARANCE REQUIREMENTS:

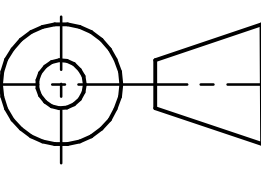
ACTUAL CLEARANCE REQUIREMENTS ARE DEPENDENT UPON AUTHORITY HAVING JURISDICTION, AND MAY EXCEED DIMENSIONS SHOWN.



NOTES:

1. IT IS THE RESPONSIBILITY OF THE INSTALLING CONTRACTOR TO ENSURE THAT THE FINAL EQUIPMENT INSTALLATION MEETS ALL APPLICABLE CODE REQUIREMENTS.
2. ILLUSTRATION SHOWN IS FOR GENERAL REPRESENTATION ONLY. ACTUAL PRODUCT WILL VARY DEPENDENT UPON APPLICATION.
3. OVERALL DIMENSIONS: 53.7 L X 37.5 W X 90.7 H.

INFORMATION SUBJECT TO CHANGE

DIMENSIONS ARE IN INCHES	HUSSmann [®]
DRAWN: DEC 2019	
 THIRD ANGLE PROJECTION	HIGH EFFICIENCY H-SERIES LARGE INDOOR HD BASE
SHEET 2 OF 2	DOC PD-000000011 REV D

SWN 1.0 SUBMITTAL SHEET SIZE D