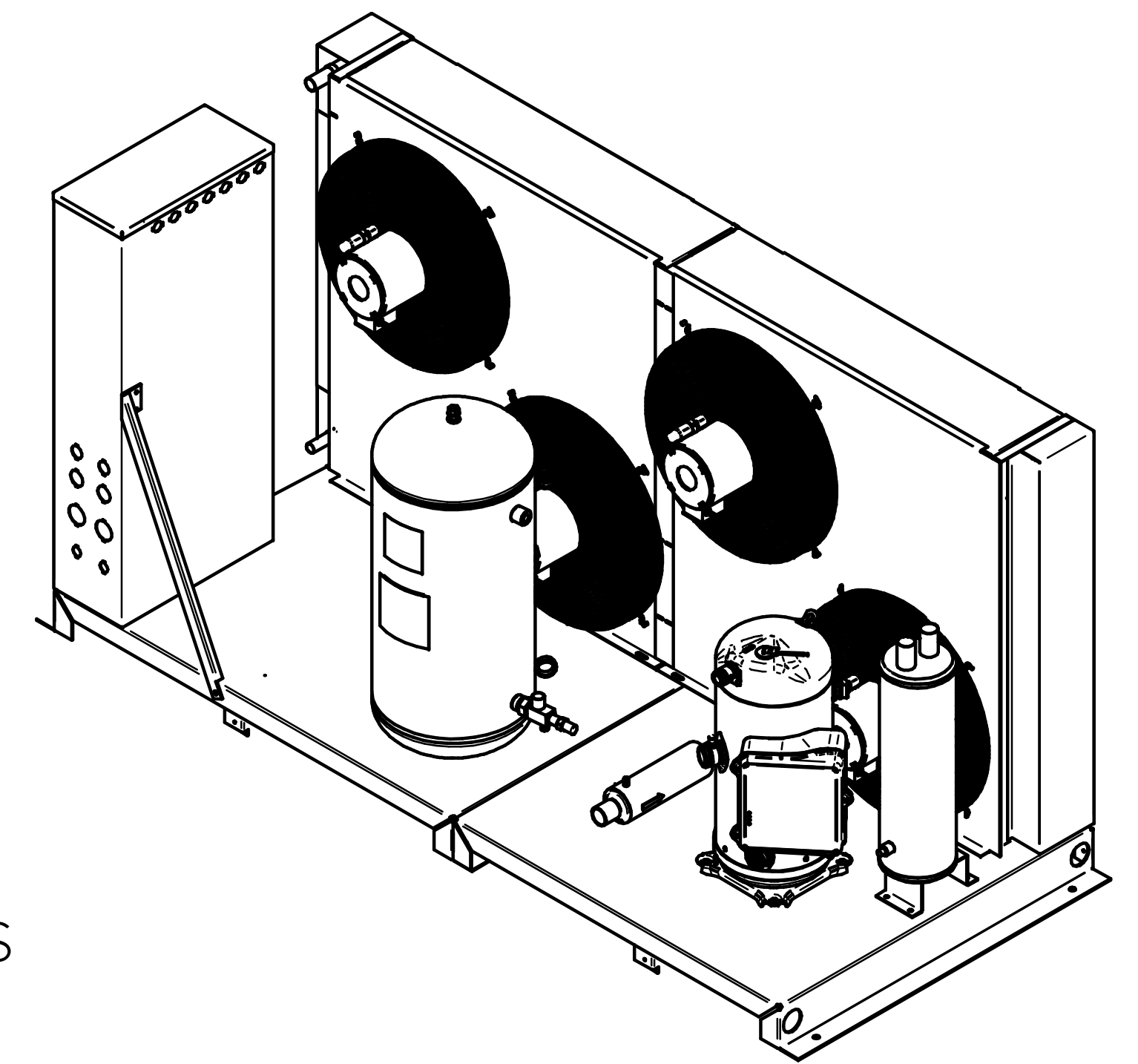
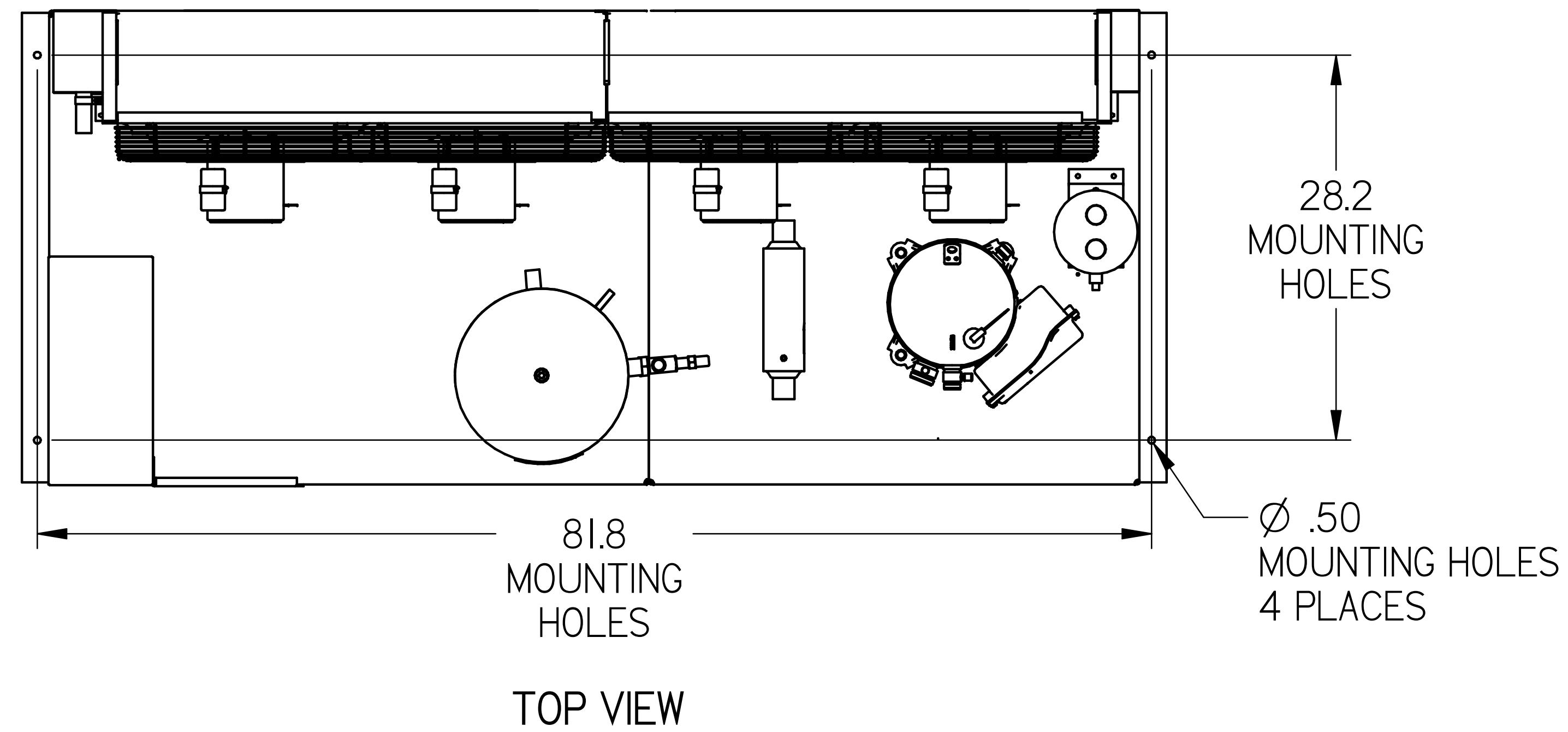
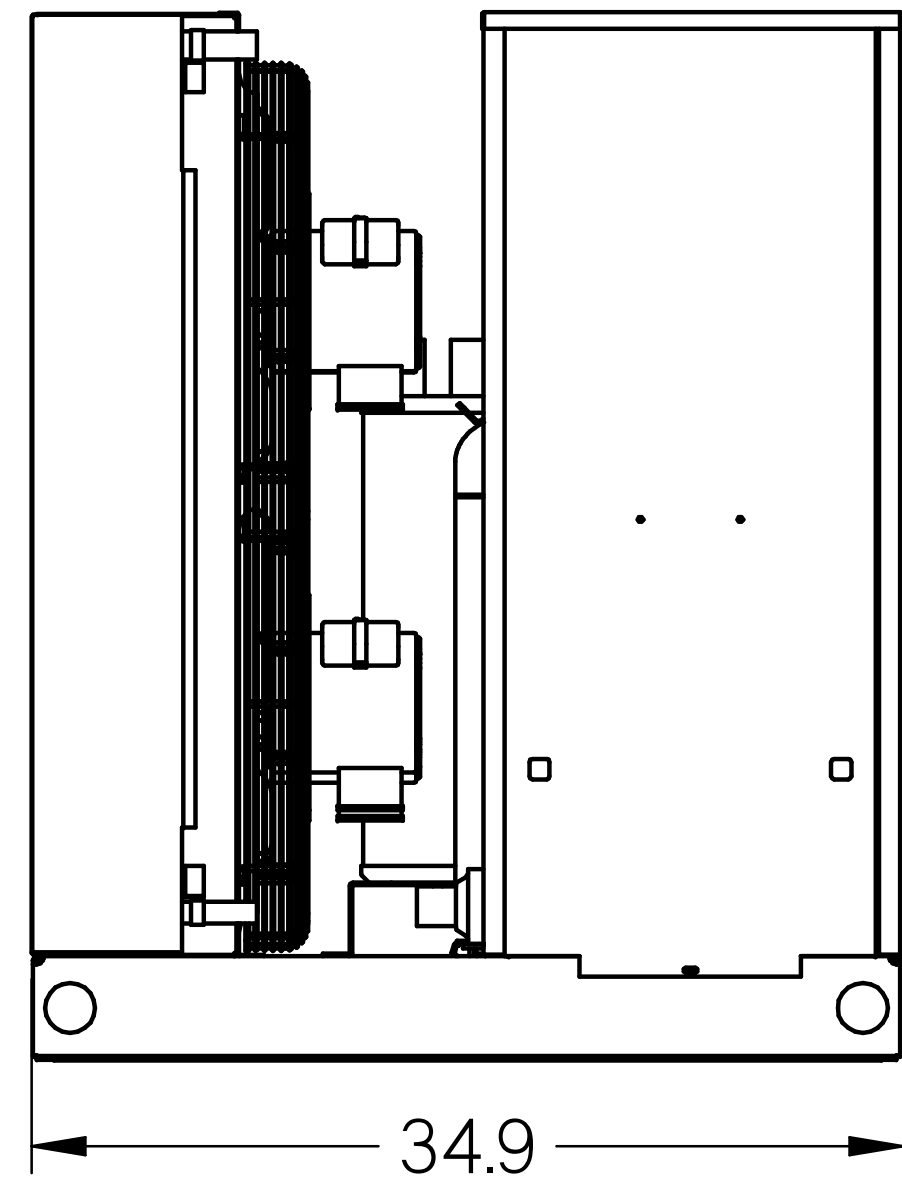


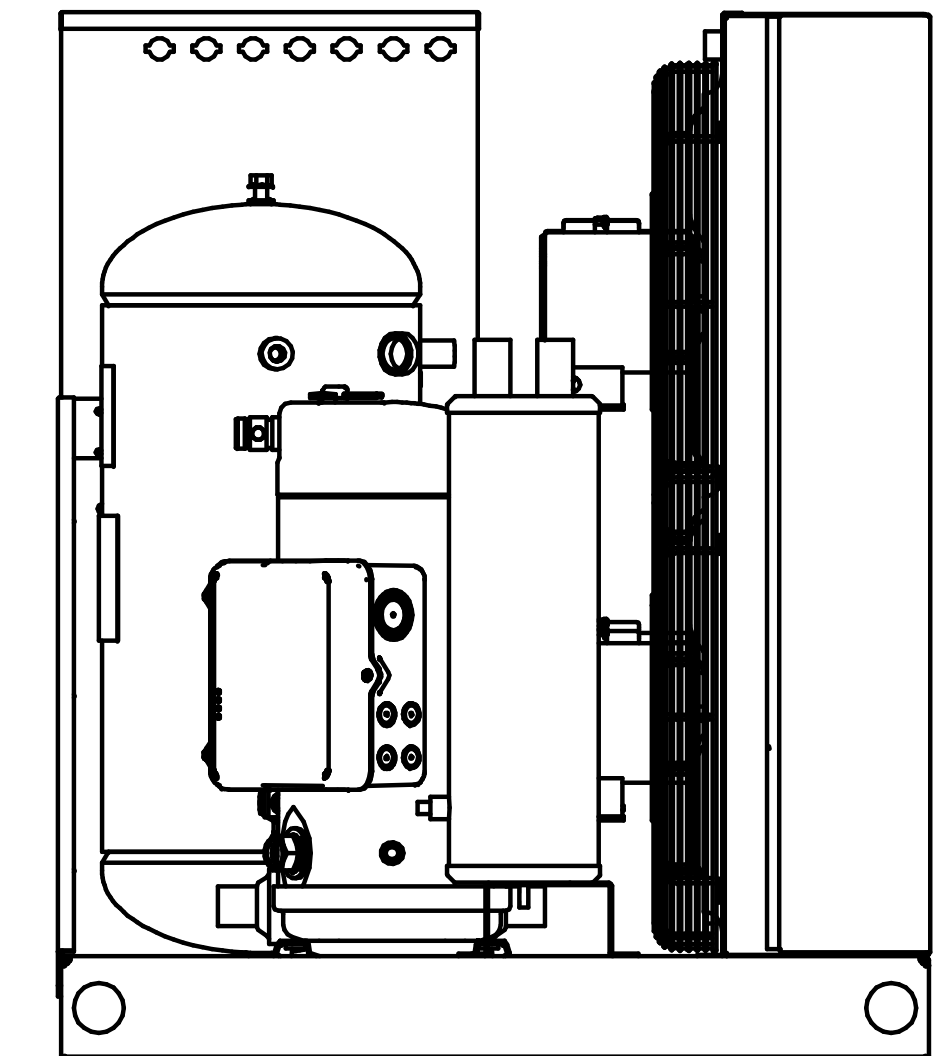
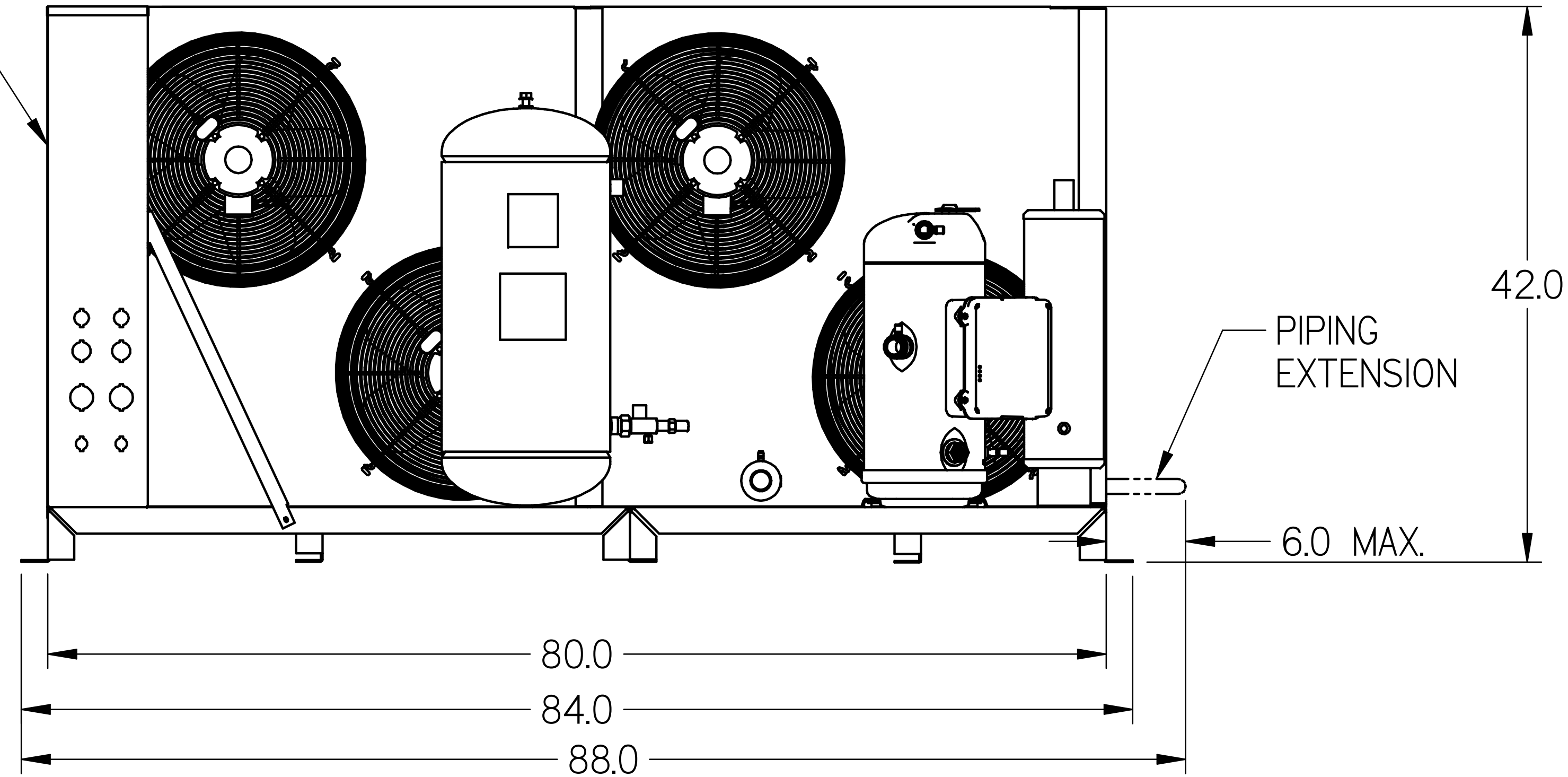
HIGH EFFICIENCY  
 H-SERIES  
 LARGE SIZE  
 INDOOR UNIT  
 STANDARD BASE  
 "HxSx-xxxxxxx-xx-x"  
 WEIGHT: 1,250 LBS.



CONTROL PANEL  
 FACING LEFT  
 END OF UNIT



LEFT SIDE VIEW



RIGHT SIDE VIEW

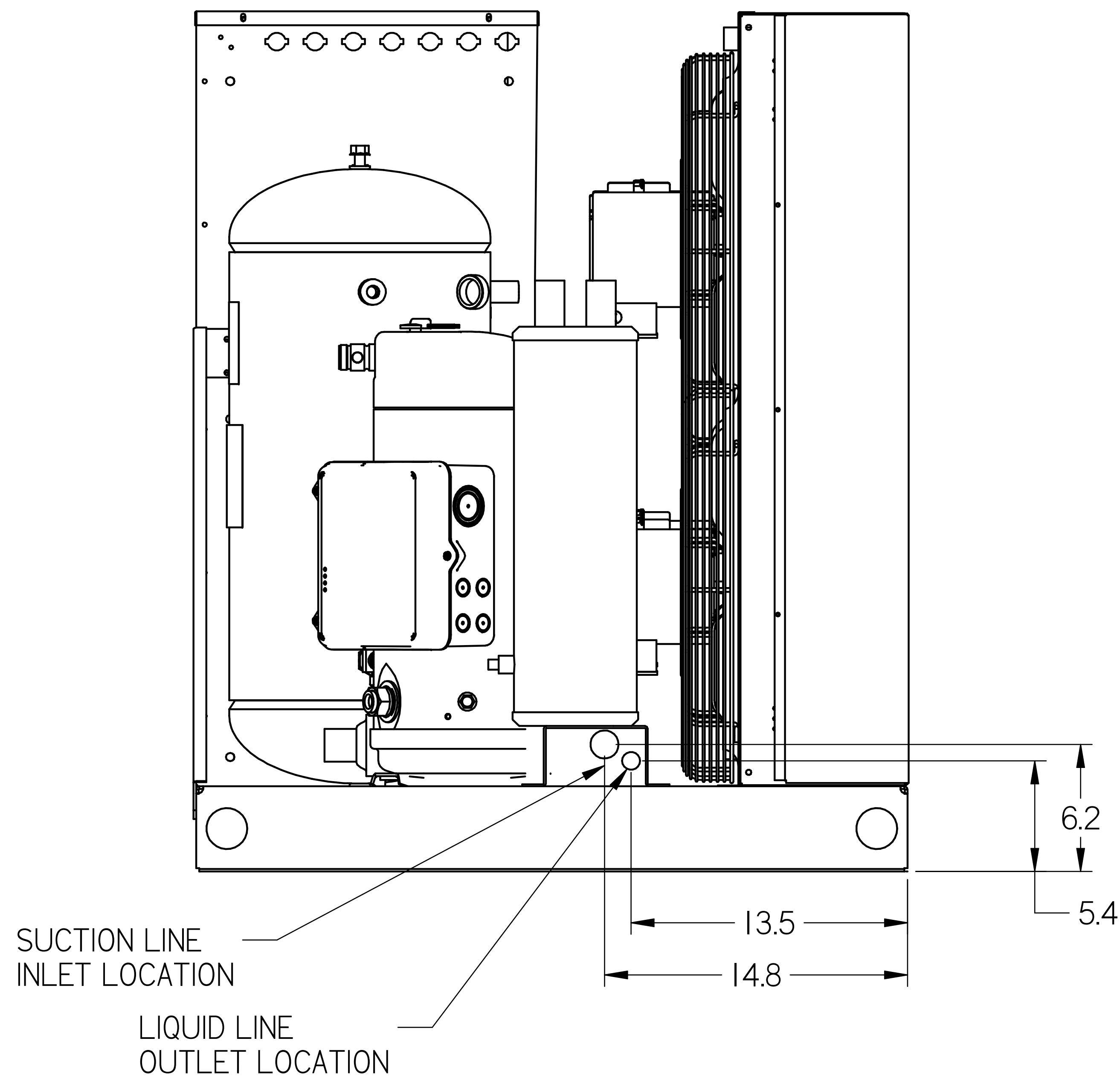
NOTES:

1. IT IS THE RESPONSIBILITY OF THE INSTALLING CONTRACTOR TO ENSURE THAT THE FINAL EQUIPMENT INSTALLATION MEETS ALL APPLICABLE CODE REQUIREMENTS.
2. ILLUSTRATION SHOWN IS FOR GENERAL REPRESENTATION ONLY. ACTUAL PRODUCT WILL VARY DEPENDENT UPON APPLICATION.
3. OVERALL DIMENSIONS: 88.0 L X 34.9 W X 42.0 H.

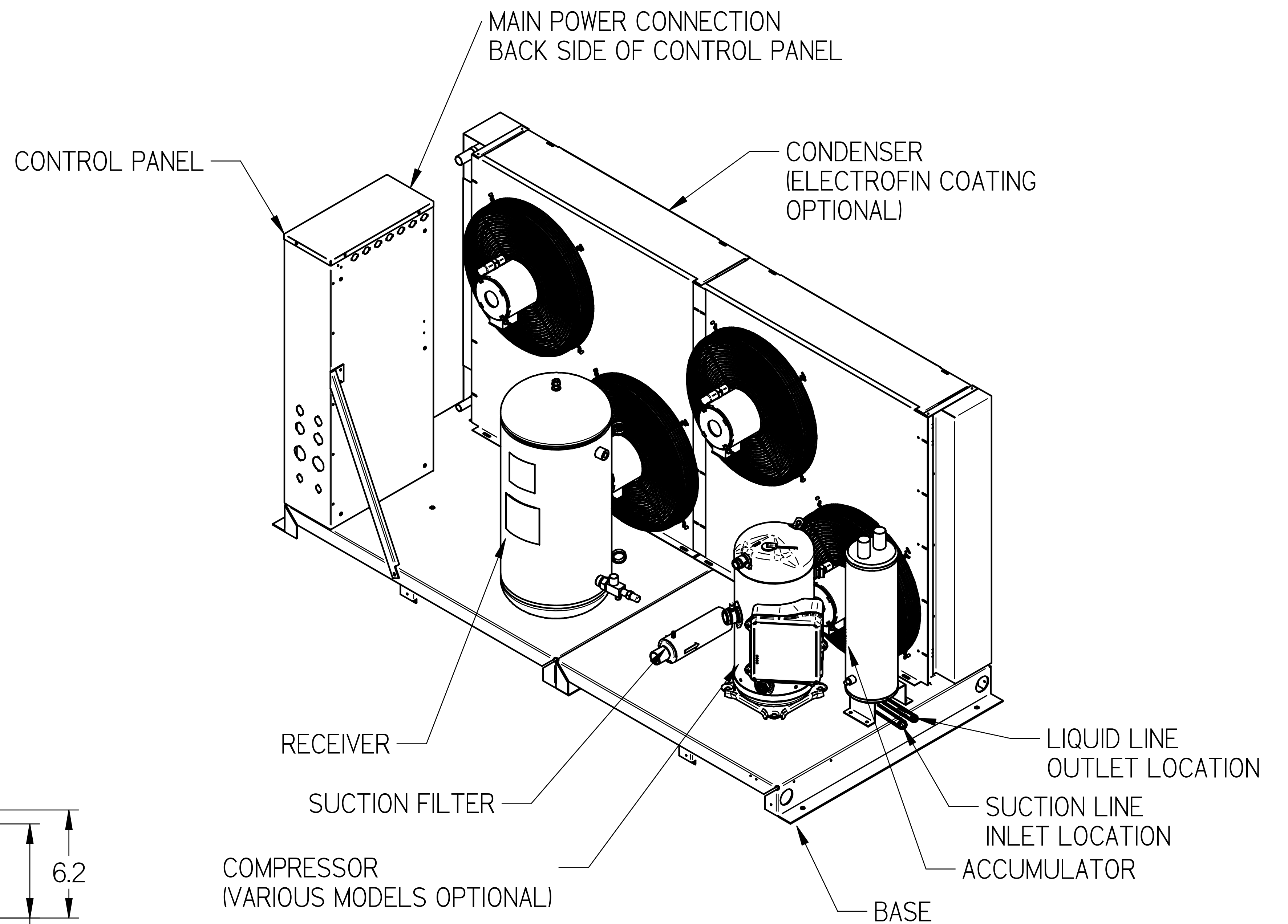
INFORMATION SUBJECT TO CHANGE

DIMENSIONS ARE IN INCHES		<b>HUSSMANN</b> <sup>®</sup>
DRAWN: DEC 2019		
	THIRD ANGLE PROJECTION	HIGH EFFICIENCY H-SERIES LARGE INDOOR STD BASE
	SHEET 1 OF 3	DOC PD-000000006 REV D

SWN 1.0 SUBMITTAL SHEET SIZE D



PIPING CONNECTION LOCATION  
OUT RIGHT SIDE OF UNIT



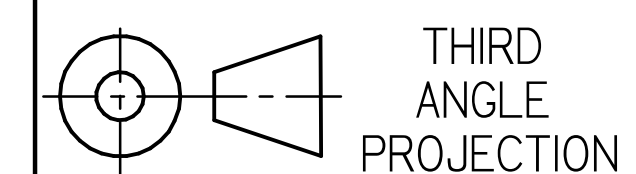
ISO VIEW

NOTES:

1. IT IS THE RESPONSIBILITY OF THE INSTALLING CONTRACTOR TO ENSURE THAT THE FINAL EQUIPMENT INSTALLATION MEETS ALL APPLICABLE CODE REQUIREMENTS.
2. ILLUSTRATION SHOWN IS FOR GENERAL REPRESENTATION ONLY. ACTUAL PRODUCT WILL VARY DEPENDENT UPON APPLICATION.
3. OVERALL DIMENSIONS: 88.0 L X 34.9 W X 42.0 H.

DIMENSIONS ARE IN INCHES

DRAWN: DEC 2019



SHEET 2 OF 3

**HUSSMANN**<sup>®</sup>

HIGH EFFICIENCY  
H-SERIES LARGE  
INDOOR STD BASE

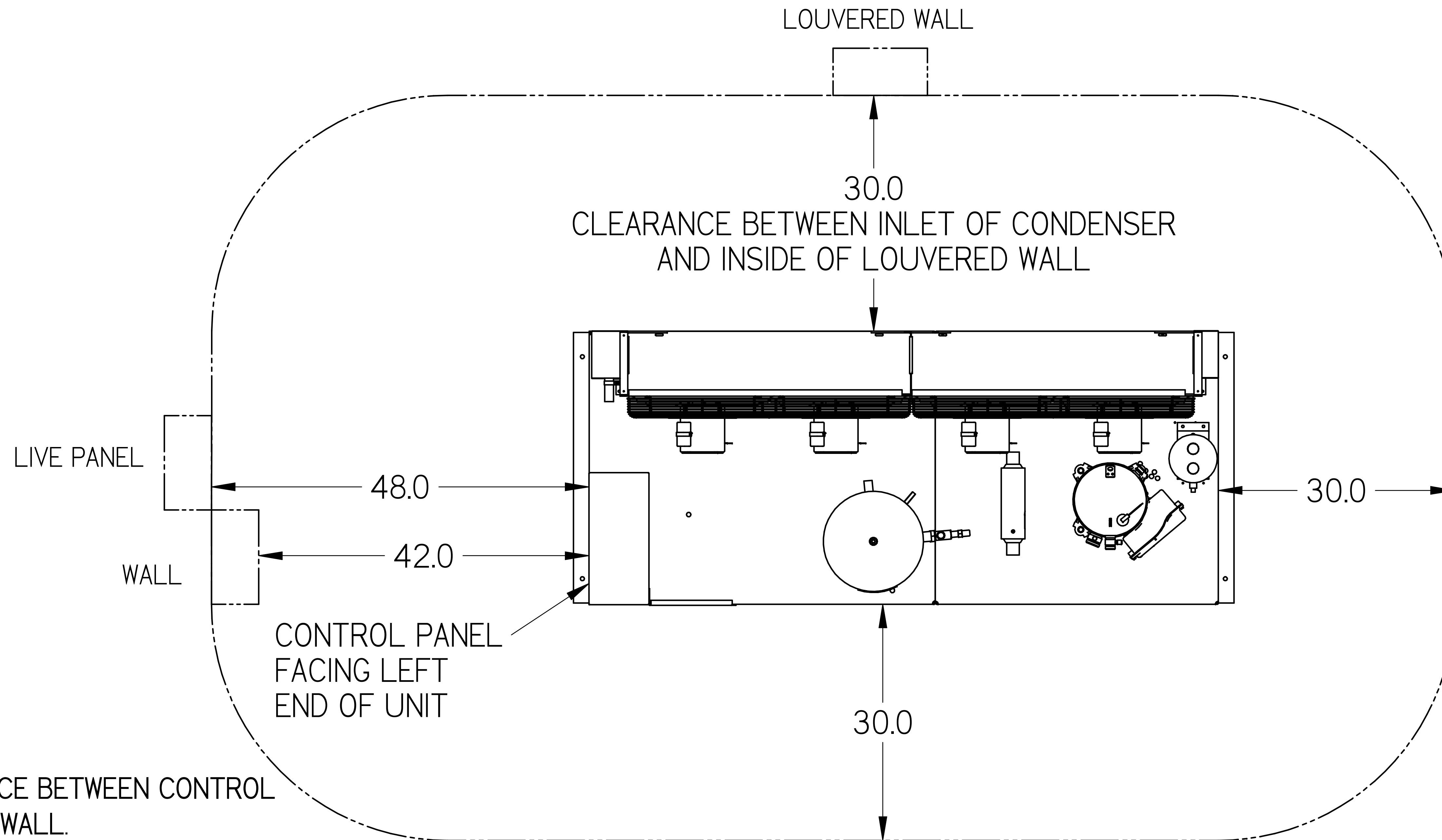
DOC PD-00000006 REV D

INFORMATION SUBJECT TO CHANGE

SWN 1.0 SUBMITTAL SHEET SIZE D

**MINIMUM CLEARANCE REQUIREMENTS:**

ACTUAL CLEARANCE REQUIREMENTS ARE DEPENDENT UPON AUTHORITY HAVING JURISDICTION, AND MAY EXCEED DIMENSIONS SHOWN.



42" CLEARANCE BETWEEN CONTROL PANEL & ANY WALL.

48" CLEARANCE BETWEEN CONTROL PANEL & ANY LIVE PANEL.

NOTES:

1. IT IS THE RESPONSIBILITY OF THE INSTALLING CONTRACTOR TO ENSURE THAT THE FINAL EQUIPMENT INSTALLATION MEETS ALL APPLICABLE CODE REQUIREMENTS.
2. ILLUSTRATION SHOWN IS FOR GENERAL REPRESENTATION ONLY. ACTUAL PRODUCT WILL VARY DEPENDENT UPON APPLICATION.
3. OVERALL DIMENSIONS: 88.0 L X 34.9 W X 42.0 H.

INFORMATION SUBJECT TO CHANGE

DIMENSIONS ARE IN INCHES		<b>HUSSmann</b> <sup>®</sup>
DRAWN: DEC 2019		
	THIRD ANGLE PROJECTION	HIGH EFFICIENCY H-SERIES LARGE INDOOR STD BASE
	SHEET 3 OF 3	DOC PD-000000006 REV D

SWN 1.0 SUBMITTAL SHEET SIZE D