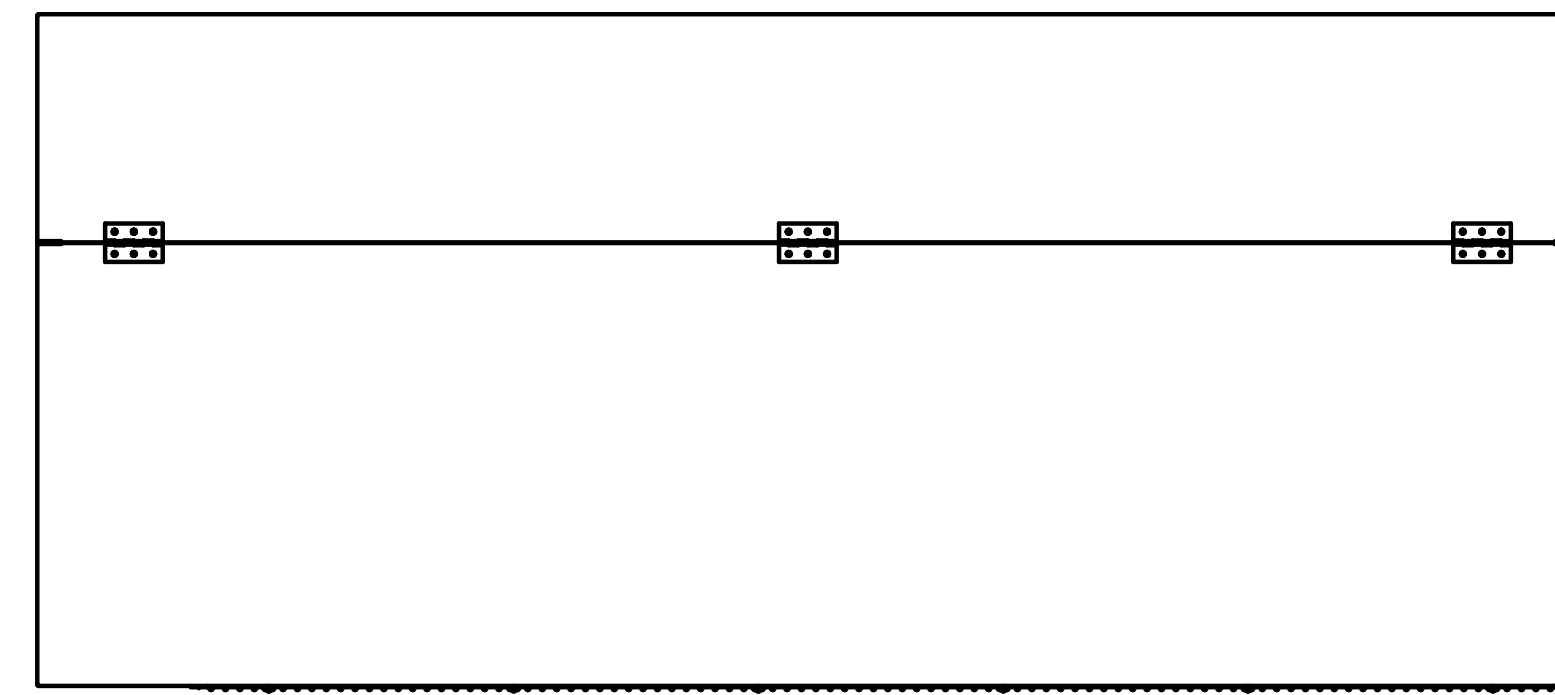


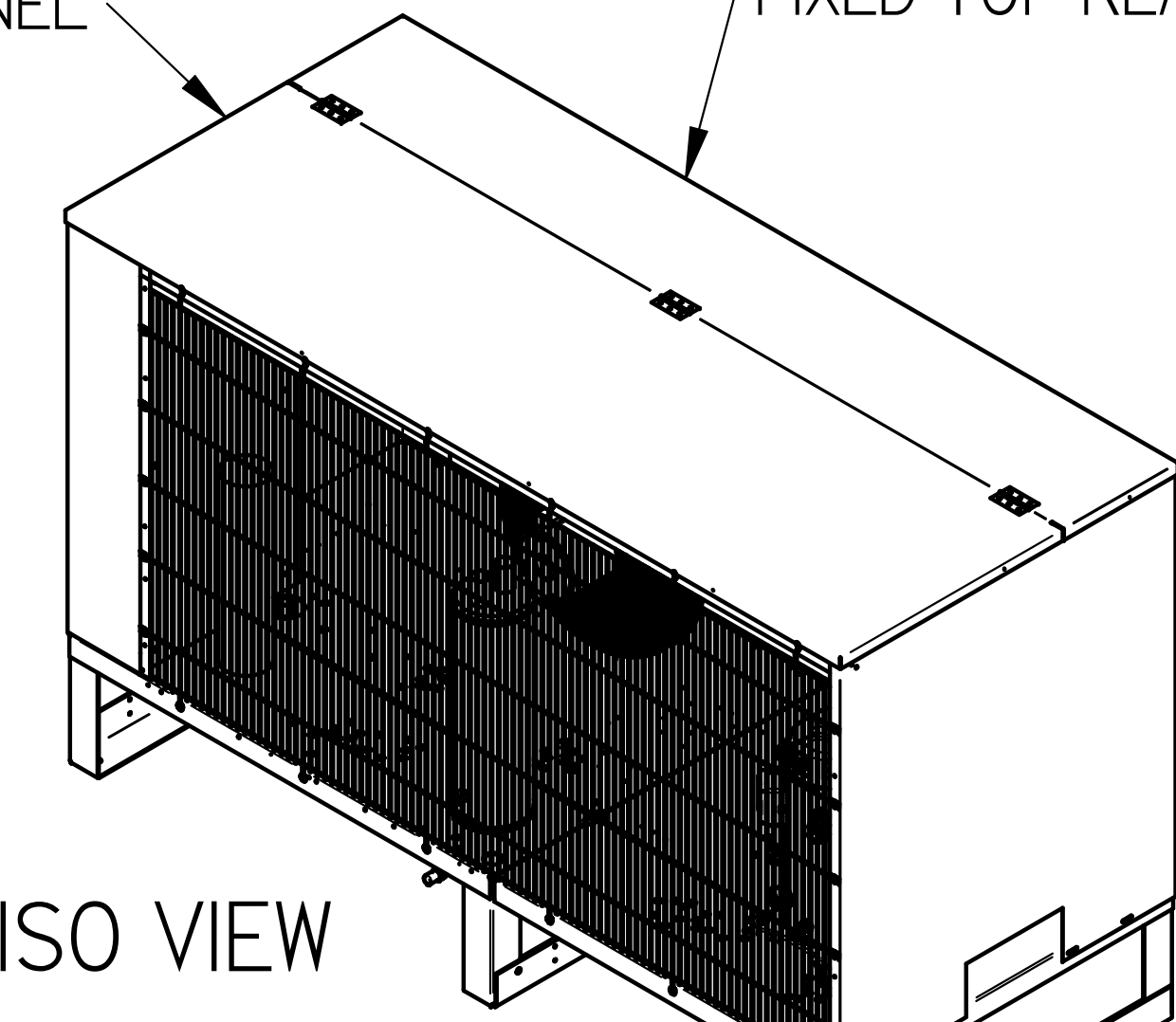
HIGH EFFICIENCY
 H-SERIES
 LARGE SIZE
 OUTDOOR UNIT
 HEAVY DUTY BASE
 "HxHx-xxxxxxx-xx-x"
 WEIGHT: 1,250 LBS.



TOP VIEW

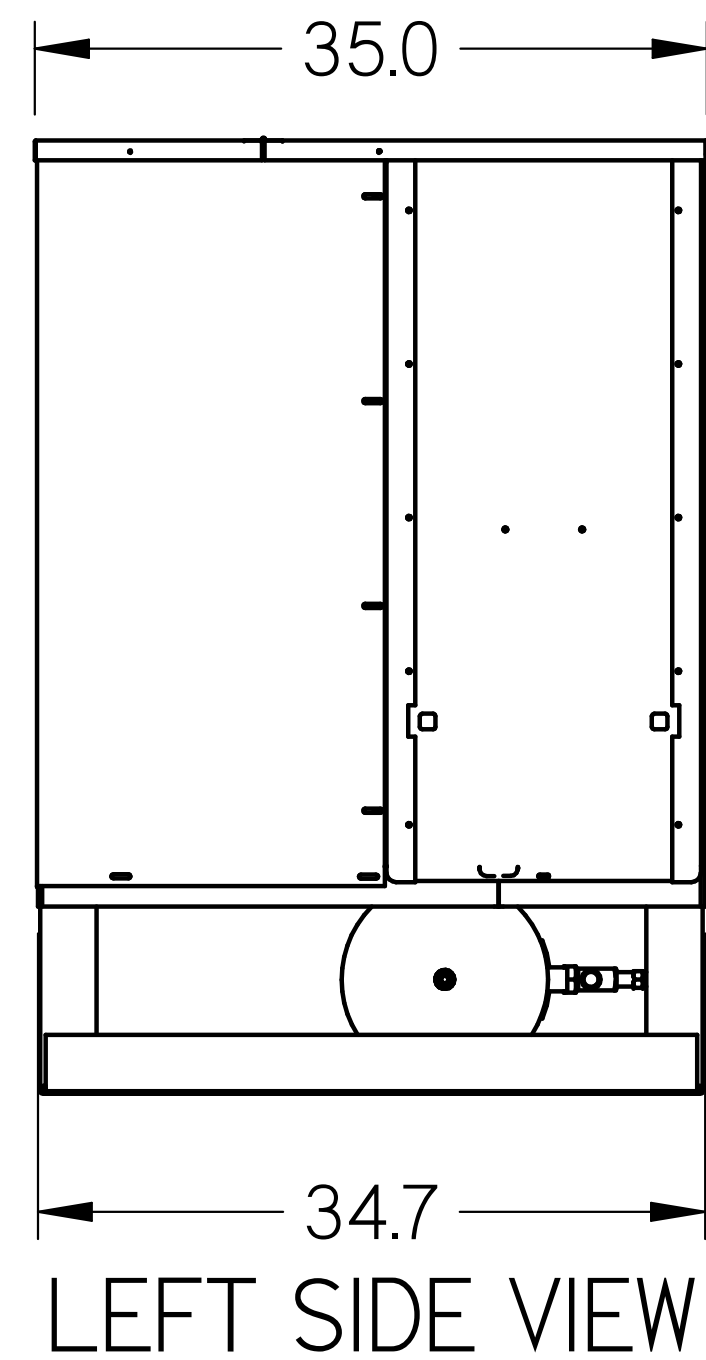
HINGED TOP FRONT PANEL

FIXED TOP REAR PANEL



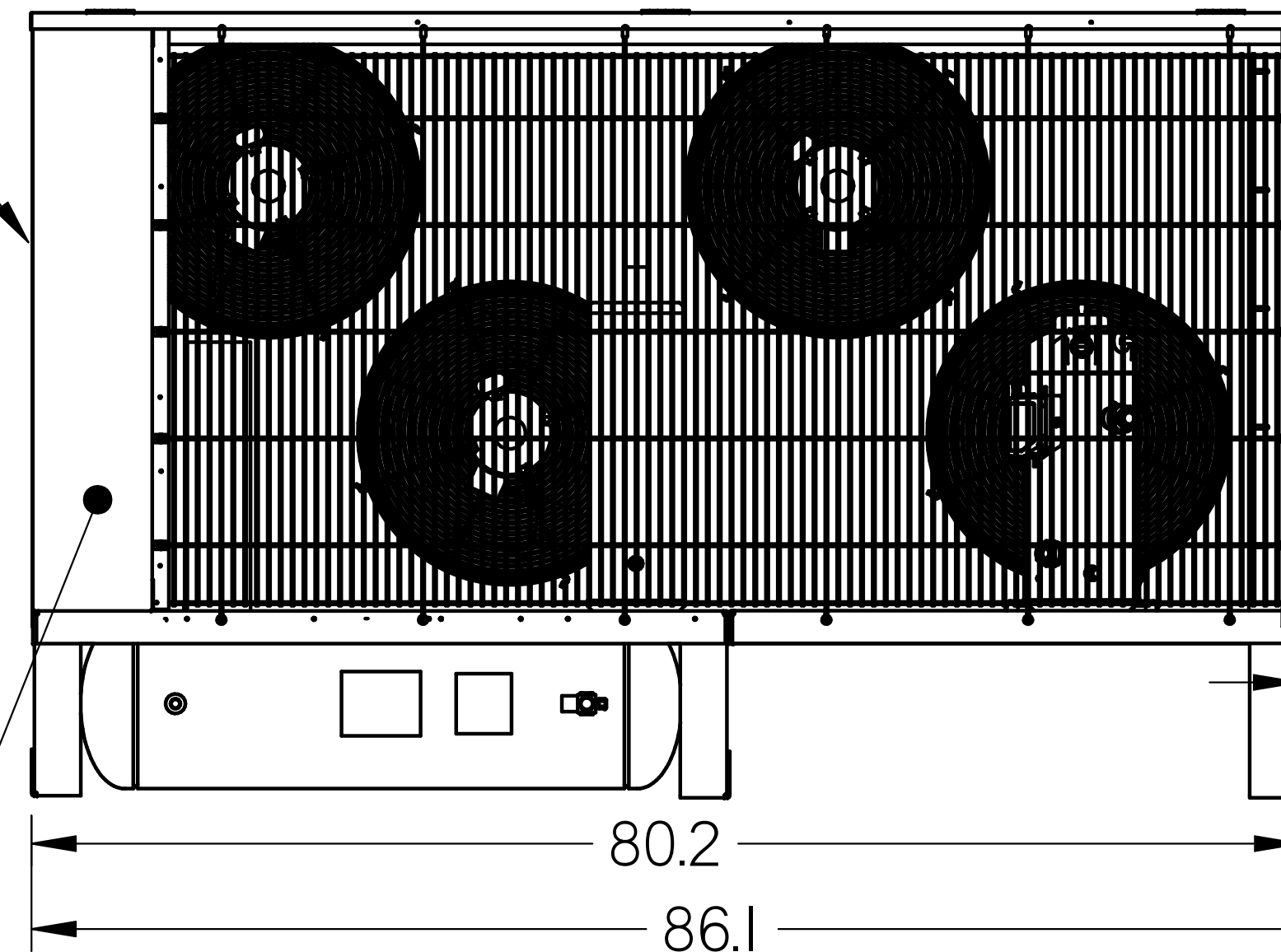
ISO VIEW

BASE ASSEMBLY



LEFT SIDE VIEW

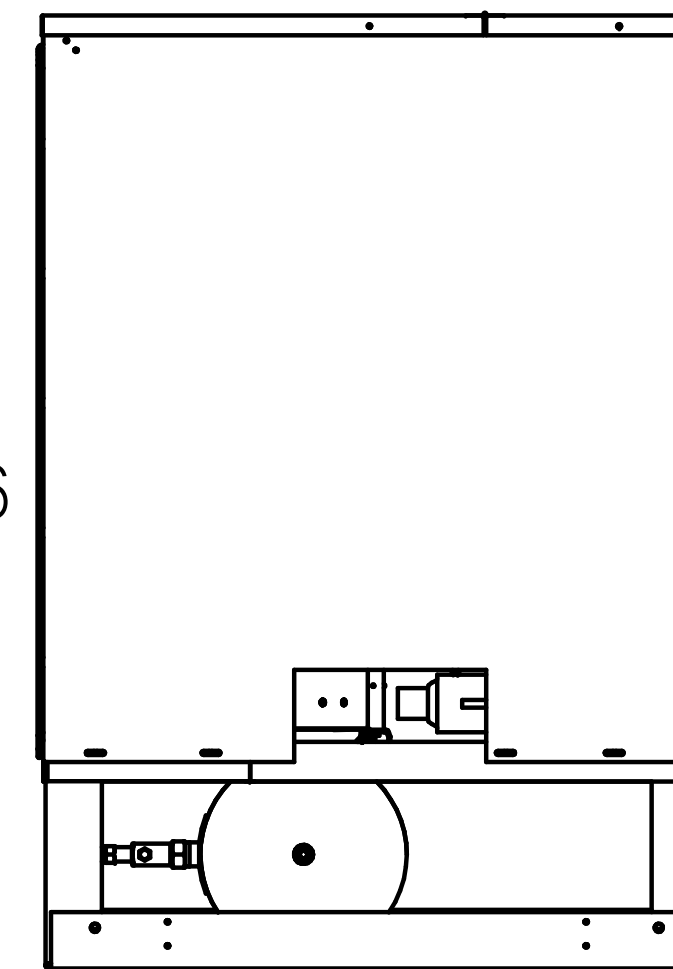
CONTROL PANEL FACING LEFT END OF UNIT



FRONT VIEW

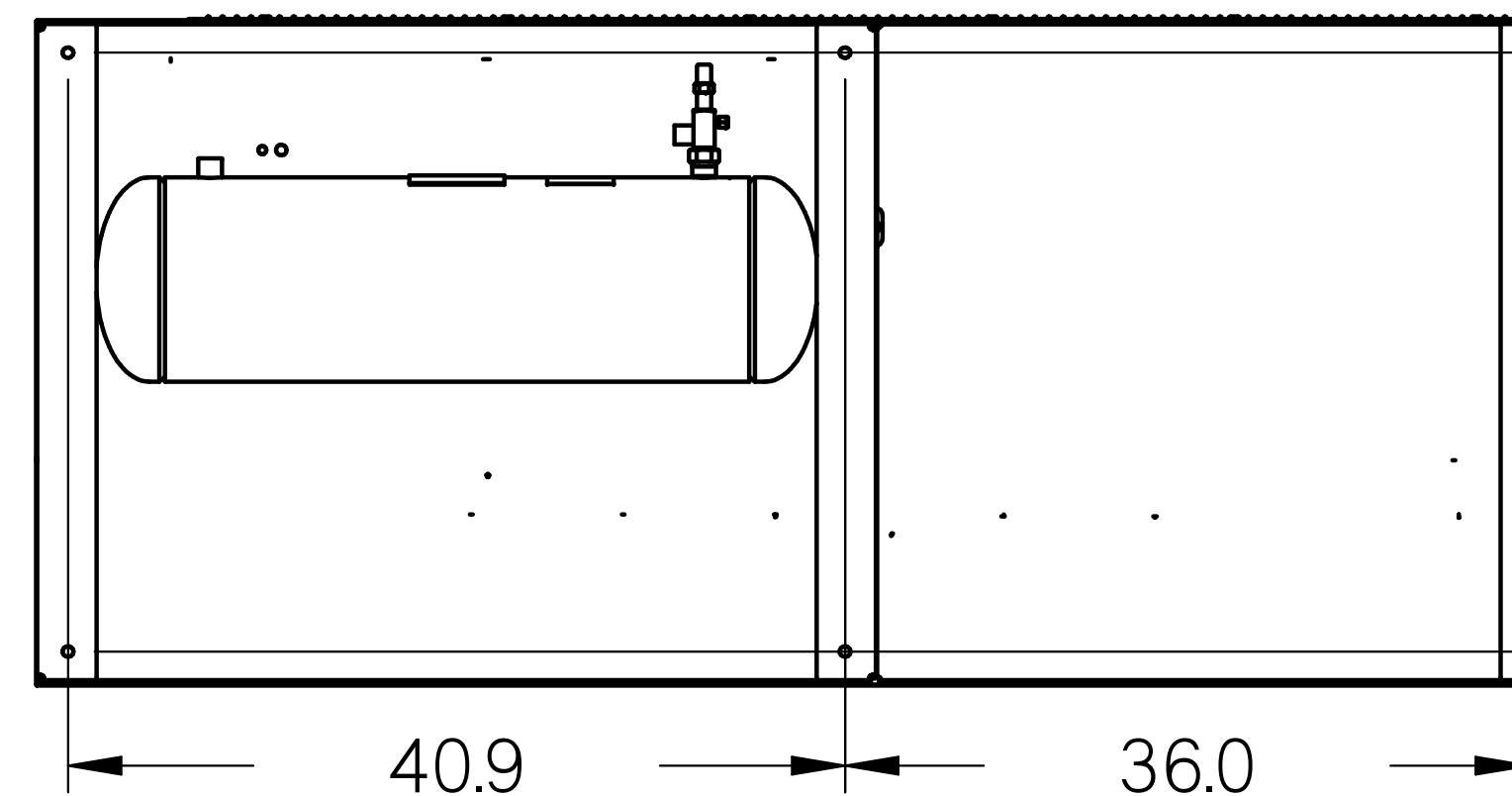
PIPING EXTENSION
6.0 MAX.

49.6



RIGHT SIDE VIEW

FIELD LOCATE MAIN POWER CONNECTION IN THIS AREA.



BOTTOM VIEW

31.5 MOUNTING DIMENSIONS

40.9 MOUNTING DIMENSIONS

36.0 MOUNTING DIMENSIONS

Ø .562 MOUNTING HOLES 6 PLACES

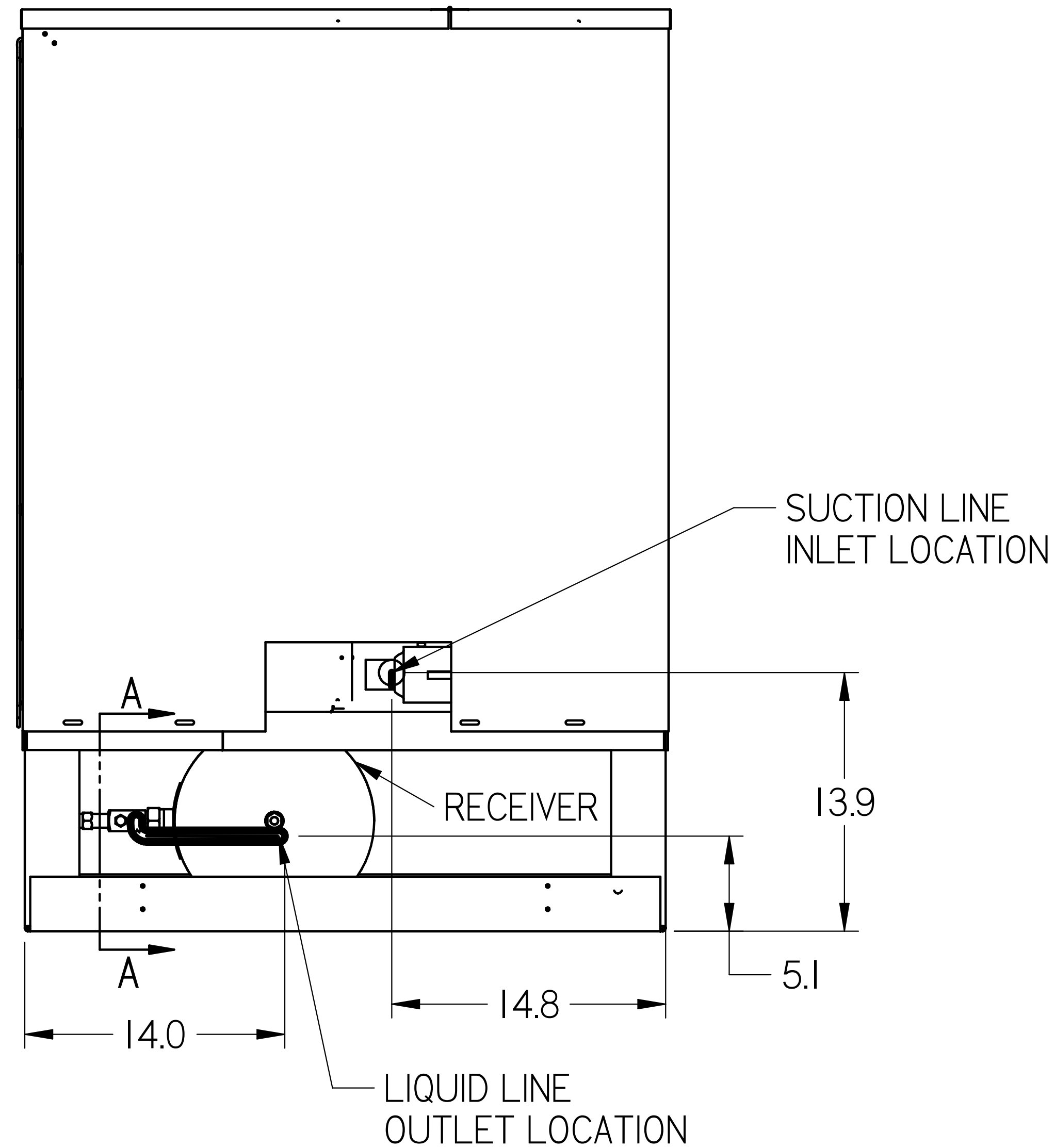
NOTES:

1. IT IS THE RESPONSIBILITY OF THE INSTALLING CONTRACTOR TO ENSURE THAT THE FINAL EQUIPMENT INSTALLATION MEETS ALL APPLICABLE CODE REQUIREMENTS.
2. ILLUSTRATION SHOWN IS FOR GENERAL REPRESENTATION ONLY. ACTUAL PRODUCT WILL VARY DEPENDENT UPON APPLICATION.
3. OVERALL DIMENSIONS: 86.1 L X 35.0 W X 49.6 H.

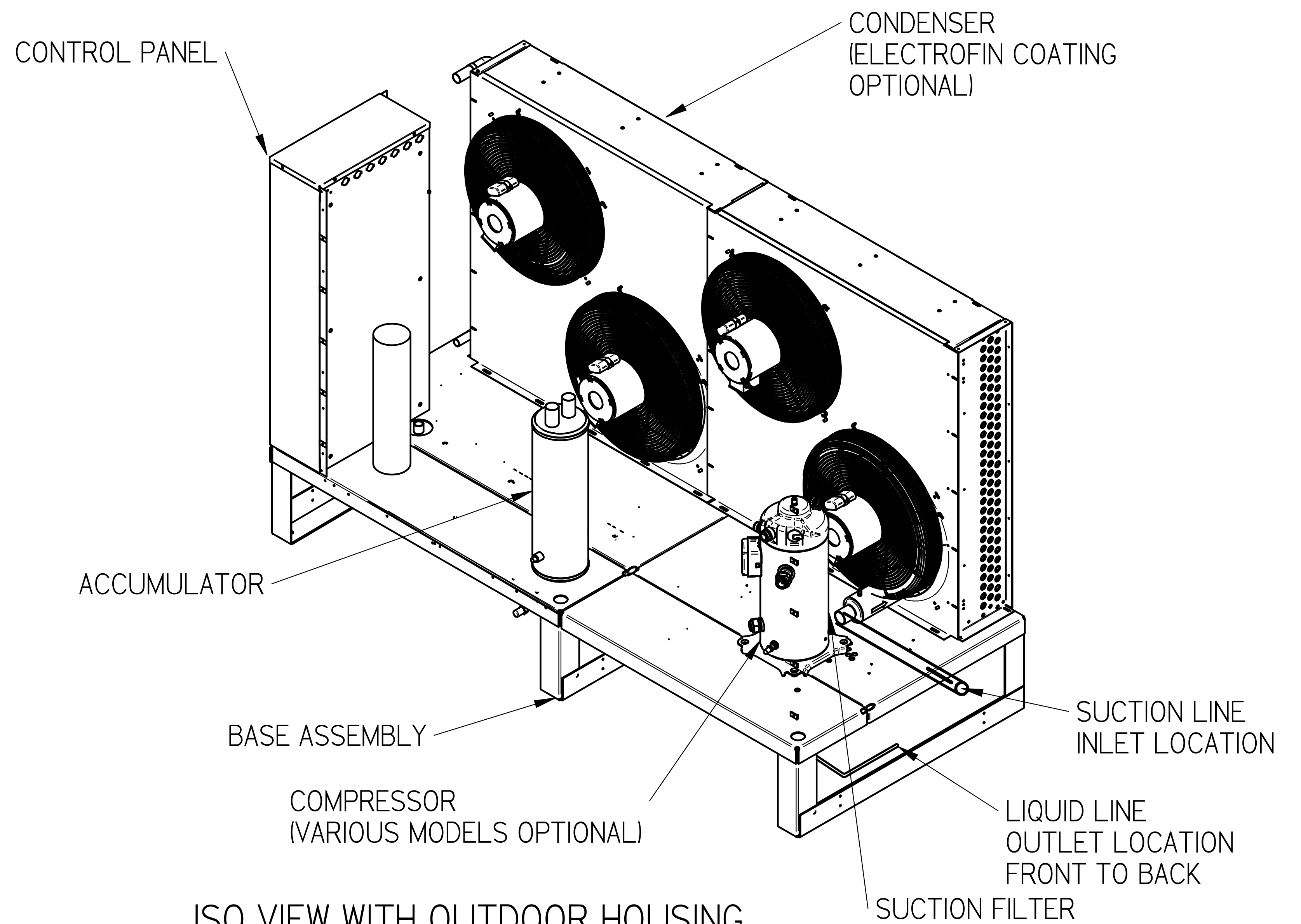
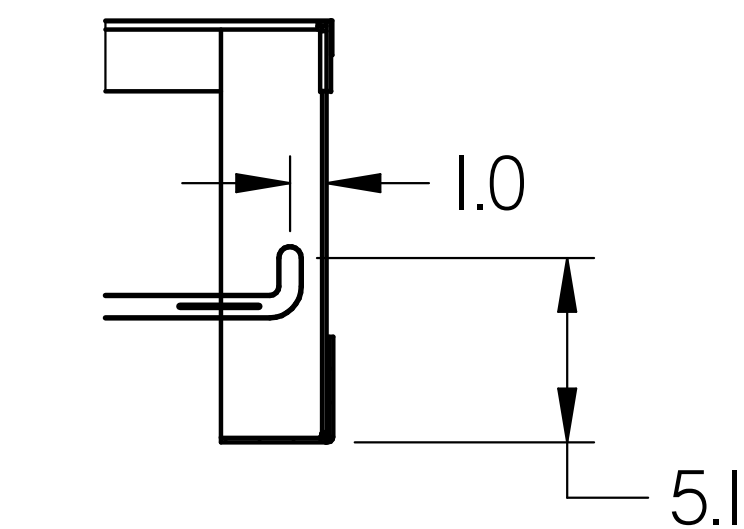
INFORMATION SUBJECT TO CHANGE

DIMENSIONS ARE IN INCHES. DATE DRAWN: 2017/09/14	HUSSMANN [®]	
	HIGH EFFICIENCY H SERIES LG OD HD BASE	
THIRD ANGLE PROJECTION	DOC PD-000000019	REV E
SHEET 1 OF 3	INFORMATION SUBJECT TO CHANGE	

SHEET 1 OF 3



PIPING CONNECTION LOCATION
OUT RIGHT SIDE OF UNIT

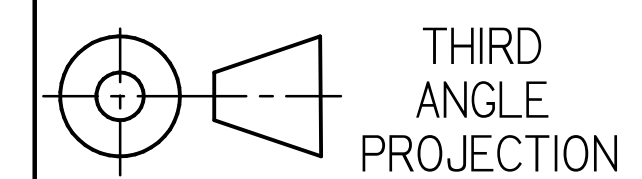


ISO VIEW WITH OUTDOOR HOUSING
REMOVED FOR CLARITY

NOTES:

1. IT IS THE RESPONSIBILITY OF THE INSTALLING CONTRACTOR TO ENSURE THAT THE FINAL EQUIPMENT INSTALLATION MEETS ALL APPLICABLE CODE REQUIREMENTS.
2. ILLUSTRATION SHOWN IS FOR GENERAL REPRESENTATION ONLY. ACTUAL PRODUCT WILL VARY DEPENDENT UPON APPLICATION.
3. OVERALL DIMENSIONS: 86.1 L X 35.0 W X 49.6 H.

DIMENSIONS ARE IN INCHES.
DATE DRAWN: 2017/09/14



SHEET 2 OF 3

HUSSMANN[®]

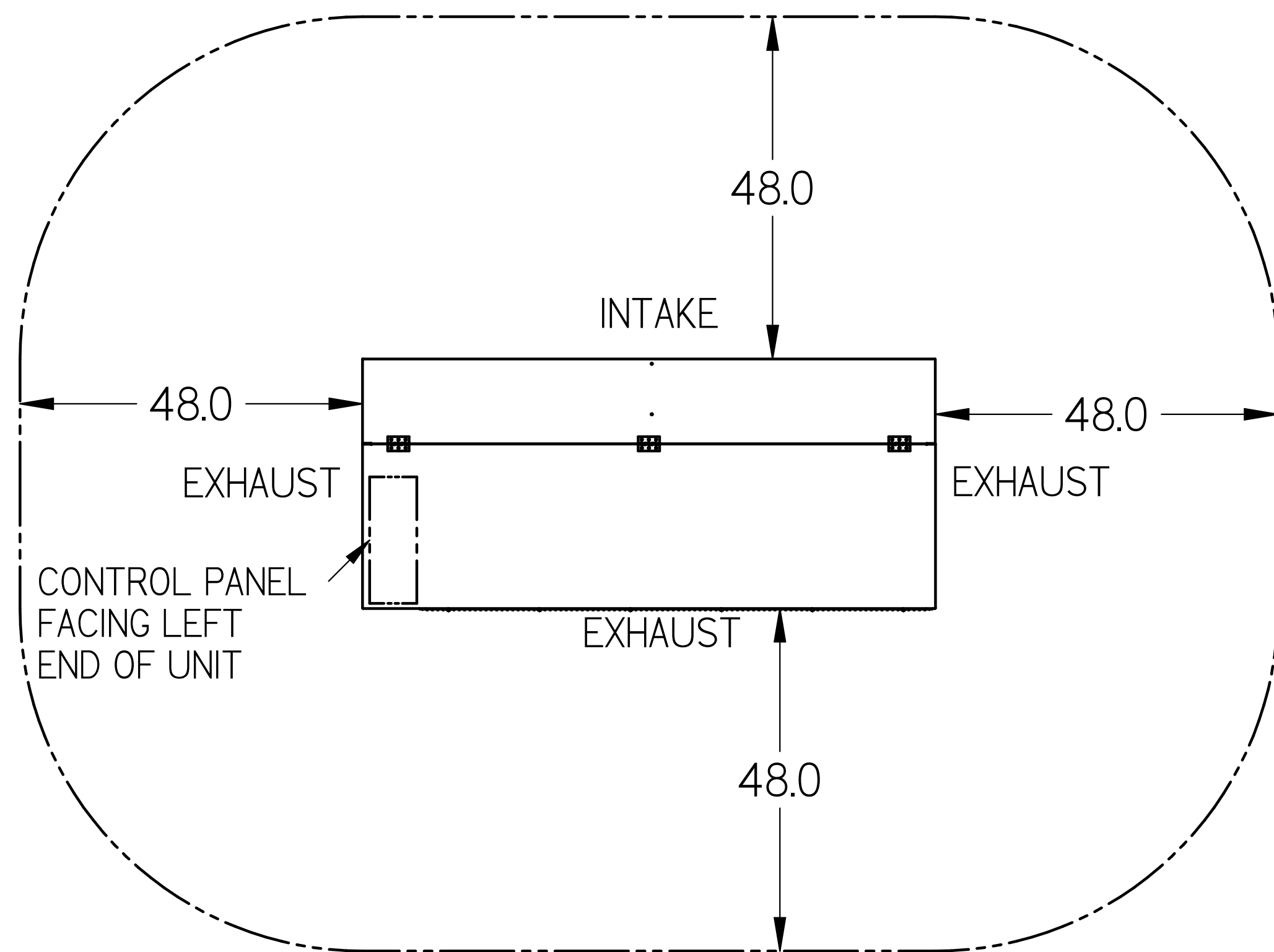
HIGH EFFICIENCY H
SERIES LG OD HD
BASE

DOC PD-000000019 REV E

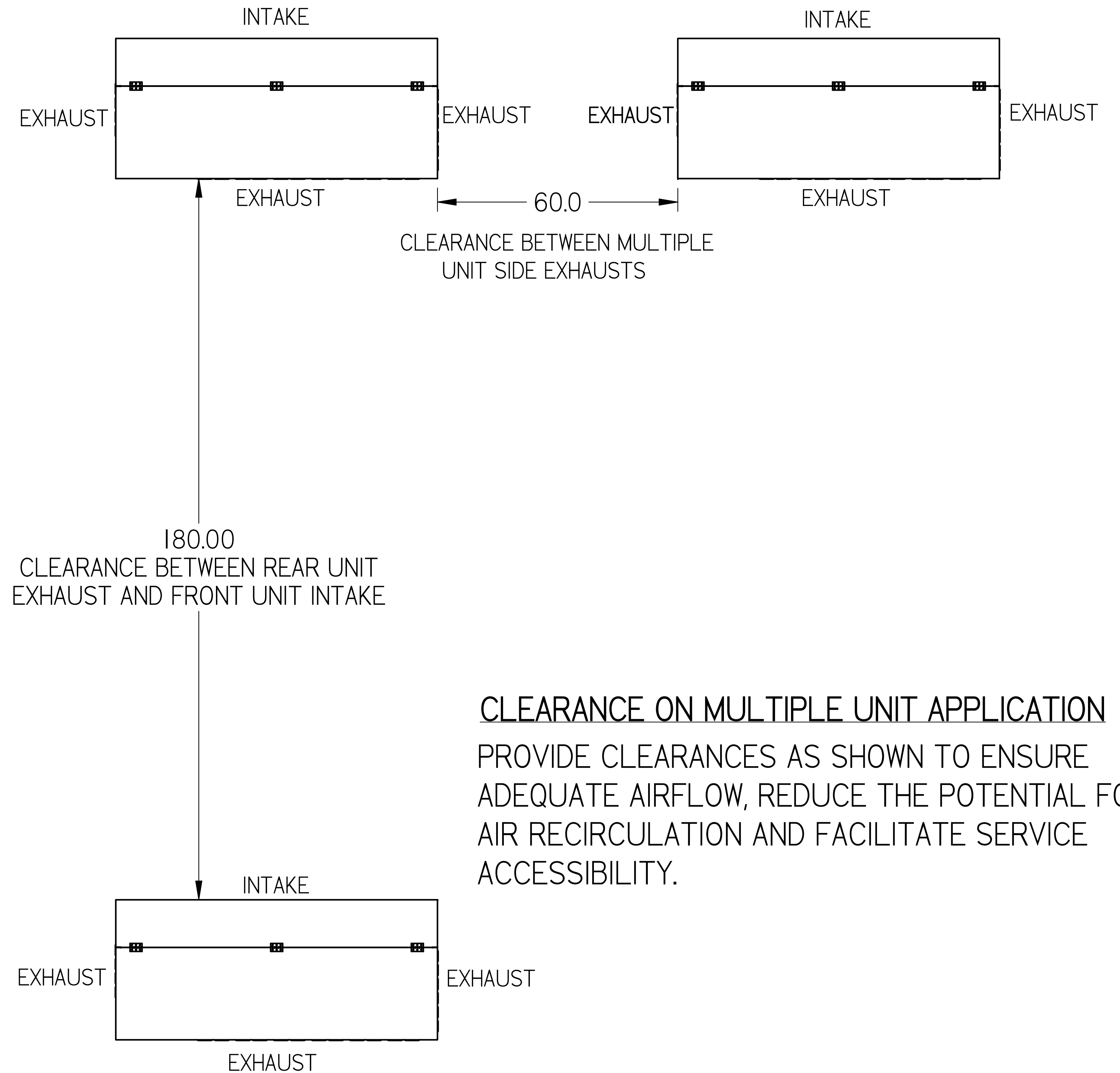
INFORMATION SUBJECT TO CHANGE

SWN 1.0 SUBMITTAL SHEET SIZE D

MINIMUM CLEARANCE REQUIREMENTS:
**ACTUAL CLEARANCE REQUIREMENTS ARE
 DEPENDENT UPON AUTHORITY HAVING
 JURISDICTION, AND MAY EXCEED DIMENSIONS
 SHOWN.**



CLEARANCE ON A SINGLE UNIT APPLICATION



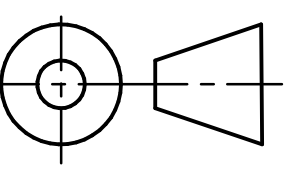
CLEARANCE ON MULTIPLE UNIT APPLICATION

PROVIDE CLEARANCES AS SHOWN TO ENSURE ADEQUATE AIRFLOW, REDUCE THE POTENTIAL FOR AIR RECIRCULATION AND FACILITATE SERVICE ACCESSIBILITY.

NOTES:

1. IT IS THE RESPONSIBILITY OF THE INSTALLING CONTRACTOR TO ENSURE THAT THE FINAL EQUIPMENT INSTALLATION MEETS ALL APPLICABLE CODE REQUIREMENTS.
2. ILLUSTRATION SHOWN IS FOR GENERAL REPRESENTATION ONLY. ACTUAL PRODUCT WILL VARY DEPENDENT UPON APPLICATION.
3. OVERALL DIMENSIONS: 86.1 L X 35.0 W X 49.6 H.

INFORMATION SUBJECT TO CHANGE

DIMENSIONS ARE IN INCHES. DATE DRAWN: 2017/09/14  THIRD ANGLE PROJECTION	HUSSMANN®	
	HIGH EFFICIENCY H SERIES LG OD HD BASE	
SHEET 3 OF 3	DOC PD-000000019	REV E

SWN 1.0 SUBMITTAL SHEET SIZE D